

US00D657901S

(12) **United States Design Patent**
Cheung Shing Hei

(10) **Patent No.:** **US D657,901 S**

(45) **Date of Patent:** **** Apr. 17, 2012**

(54) **SPOTLIGHT**

(75) Inventor: **Daniel Cheung Shing Hei**, Kowloon
Tong (HK)

(73) Assignee: **Flying Dragon Development Limited**,
New Territories (HK)

(**) Term: **14 Years**

(21) Appl. No.: **29/398,536**

(22) Filed: **Aug. 1, 2011**

(51) **LOC (9) Cl.** **26-02**

(52) **U.S. Cl.** **D26/45; D26/49; D26/50**

(58) **Field of Classification Search** D26/37,
D26/38, 39, 42, 44, 45, 46, 48, 49, 50; 362/157,
362/158, 183–189, 194–208

See application file for complete search history.

(56) **References Cited**

U.S. PATENT DOCUMENTS

D441,112	S	*	4/2001	Krieger et al.	D26/45
D469,905	S	*	2/2003	Levine et al.	D26/45
D492,807	S	*	7/2004	Dalton et al.	D26/49
D529,646	S	*	10/2006	Hogg	D26/39
D532,136	S	*	11/2006	Krieger et al.	D26/45
D532,541	S	*	11/2006	Krieger et al.	D26/45
D564,684	S	*	3/2008	Leung et al.	D26/37
D603,540	S	*	11/2009	Shum et al.	D26/45
D628,326	S	*	11/2010	Ng	D26/45
D629,939	S	*	12/2010	Yuen	D26/45
D646,816	S	*	10/2011	Wang	D26/45

* cited by examiner

Primary Examiner — Ian Simmons

Assistant Examiner — Carissa C Fitts

(74) *Attorney, Agent, or Firm* — Intellectual Property Law
Group LLP

(57) **CLAIM**

The ornamental design for a spotlight, as shown and
described.

DESCRIPTION

FIG. 1 is a top, rear, right side perspective view of a spotlight
embodying my new design;

FIG. 2 is a top, right side perspective view thereof;

FIG. 3 is a front, right side perspective view thereof;

FIG. 4 is a bottom, rear, right side perspective view thereof;

FIG. 5 is a rear elevational view thereof;

FIG. 6 is a front elevational view thereof;

FIG. 7 is a right side elevational view thereof;

FIG. 8 is a left side elevational view thereof;

FIG. 9 is a top plan view thereof;

FIG. 10 is a bottom plan view thereof;

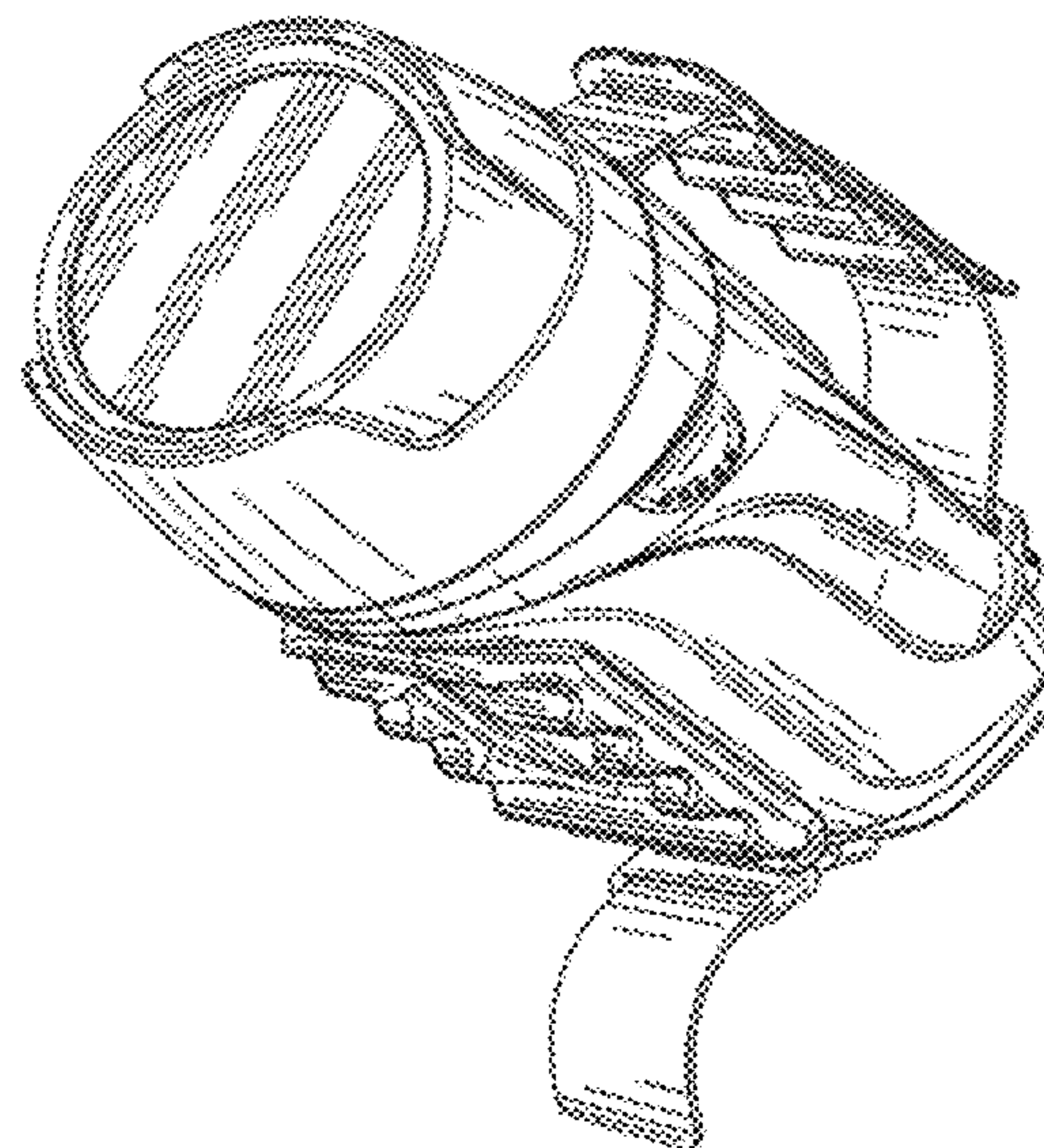
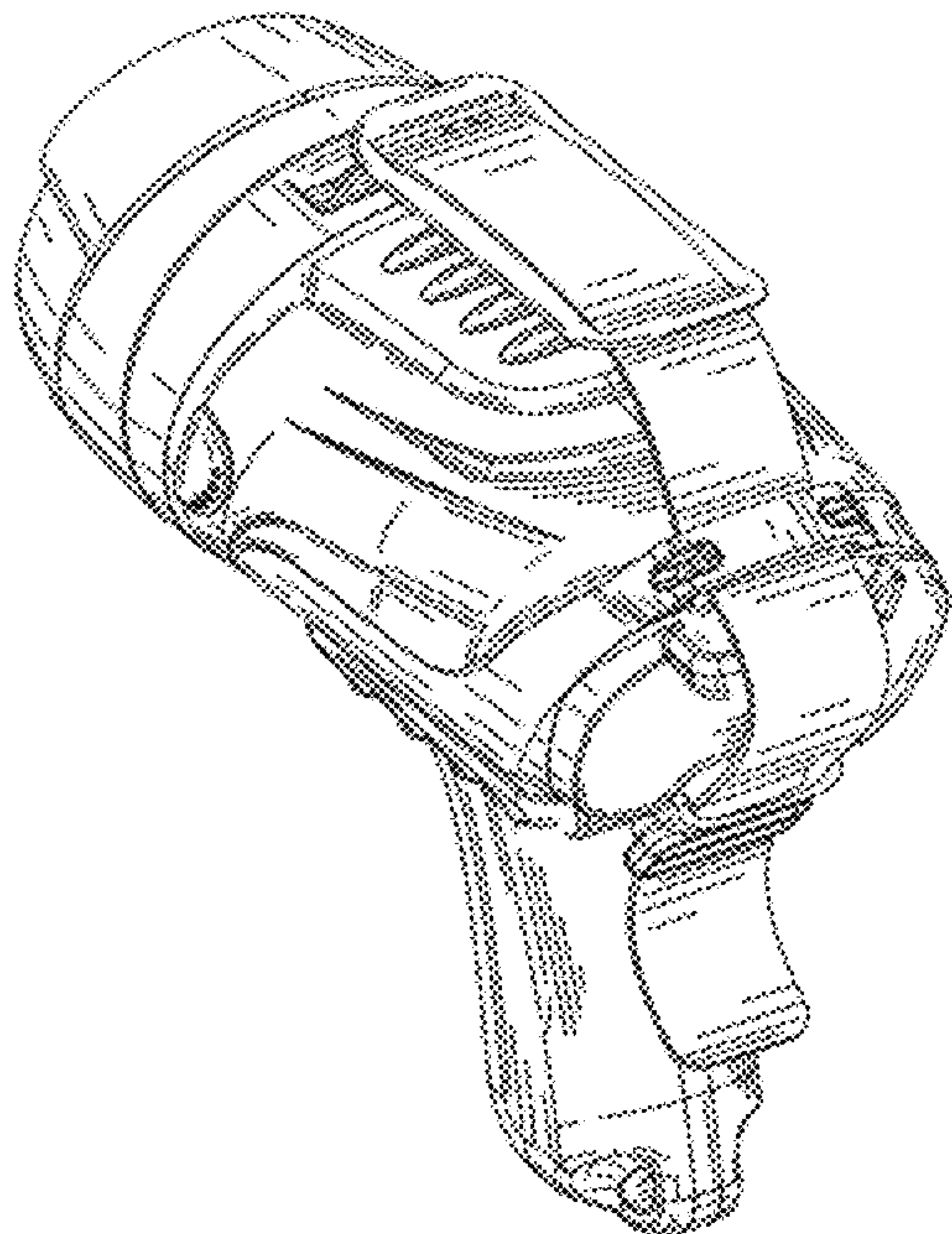
FIG. 11 is a front elevational view thereof with the handle
removed;

FIG. 12 is a right side view of FIG. 11;

FIG. 13 is a front, bottom, right side perspective view of FIG.
11; and,

FIG. 14 is a bottom, rear, left side perspective view of FIG. 11.

1 Claim, 6 Drawing Sheets



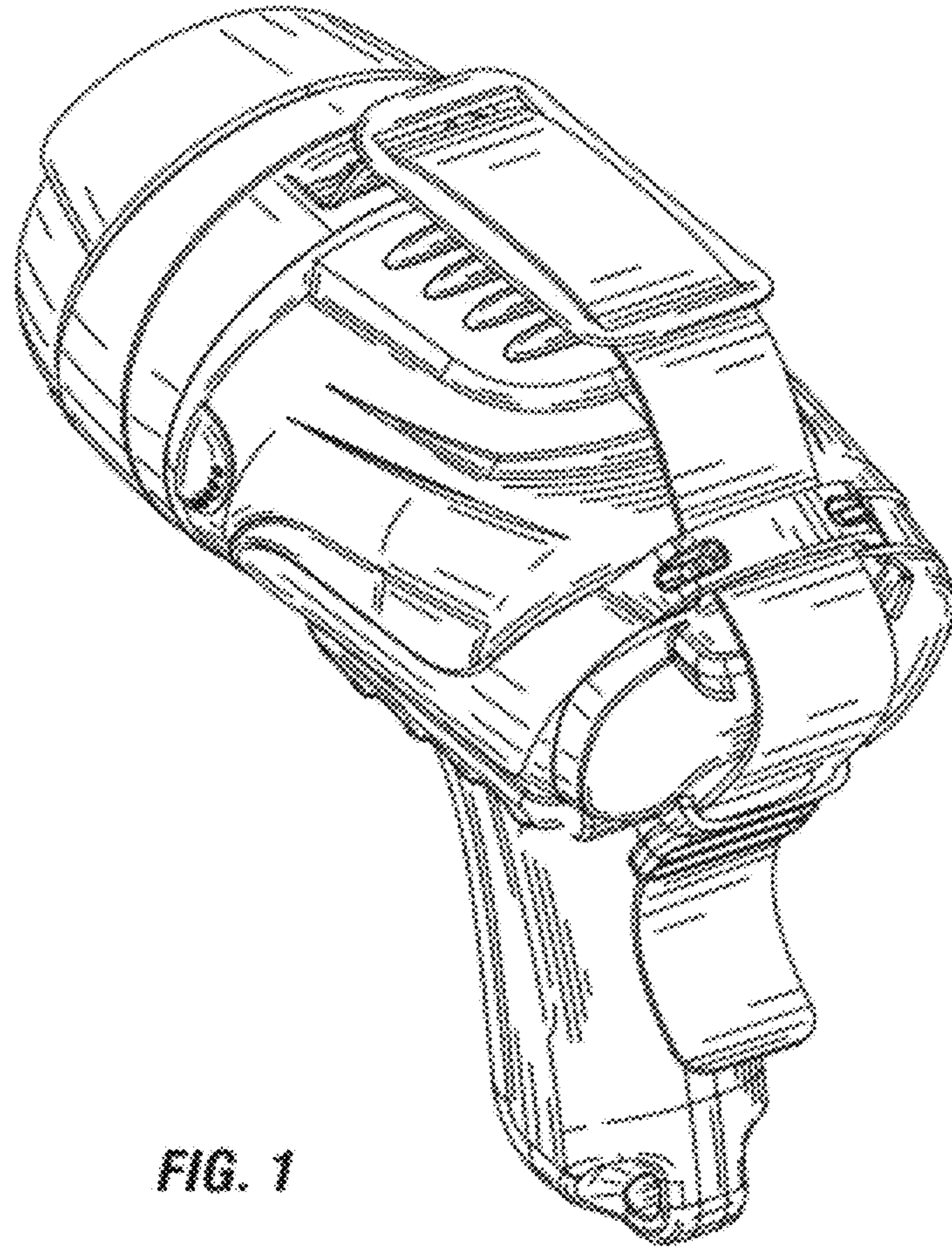


FIG. 1

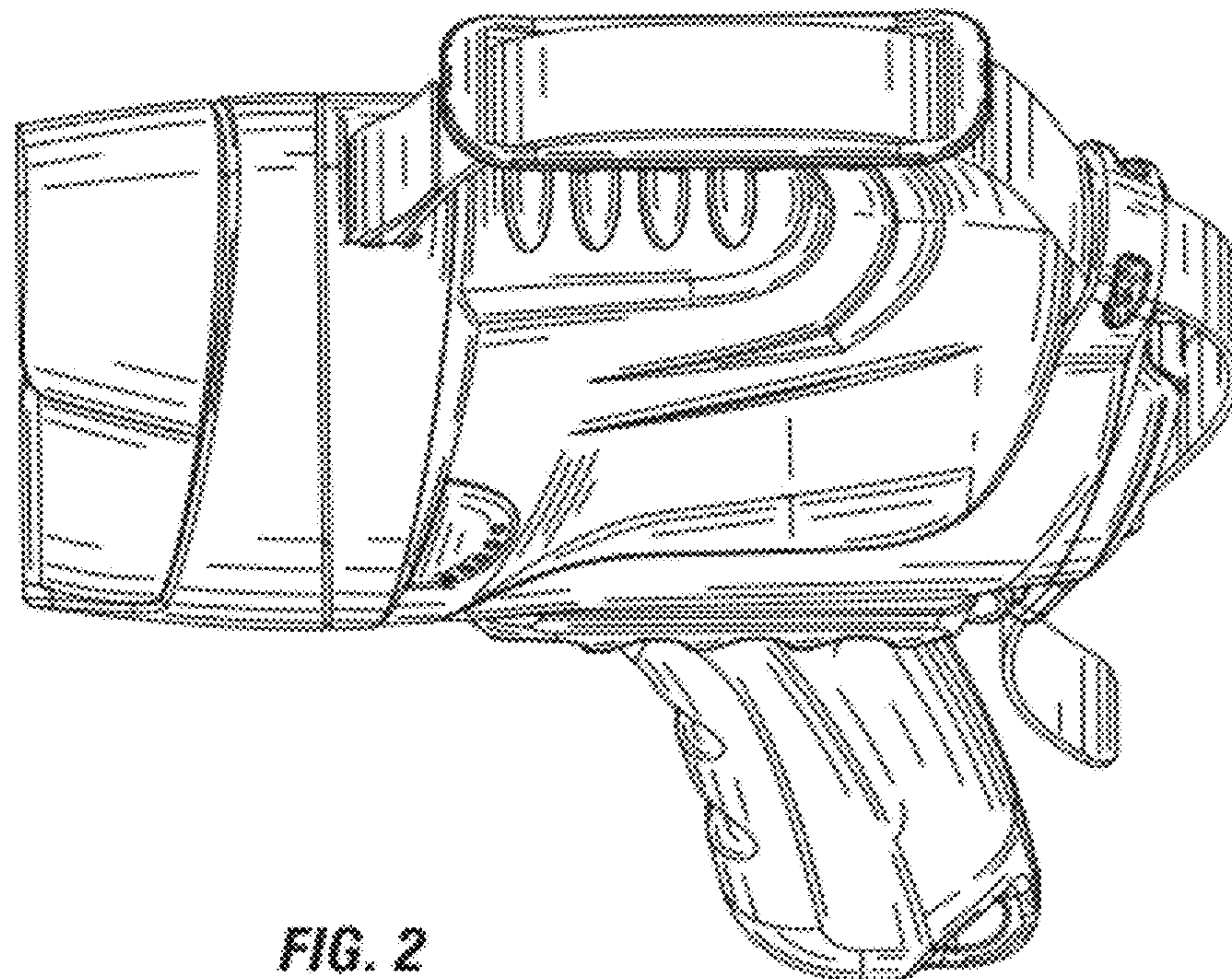


FIG. 2

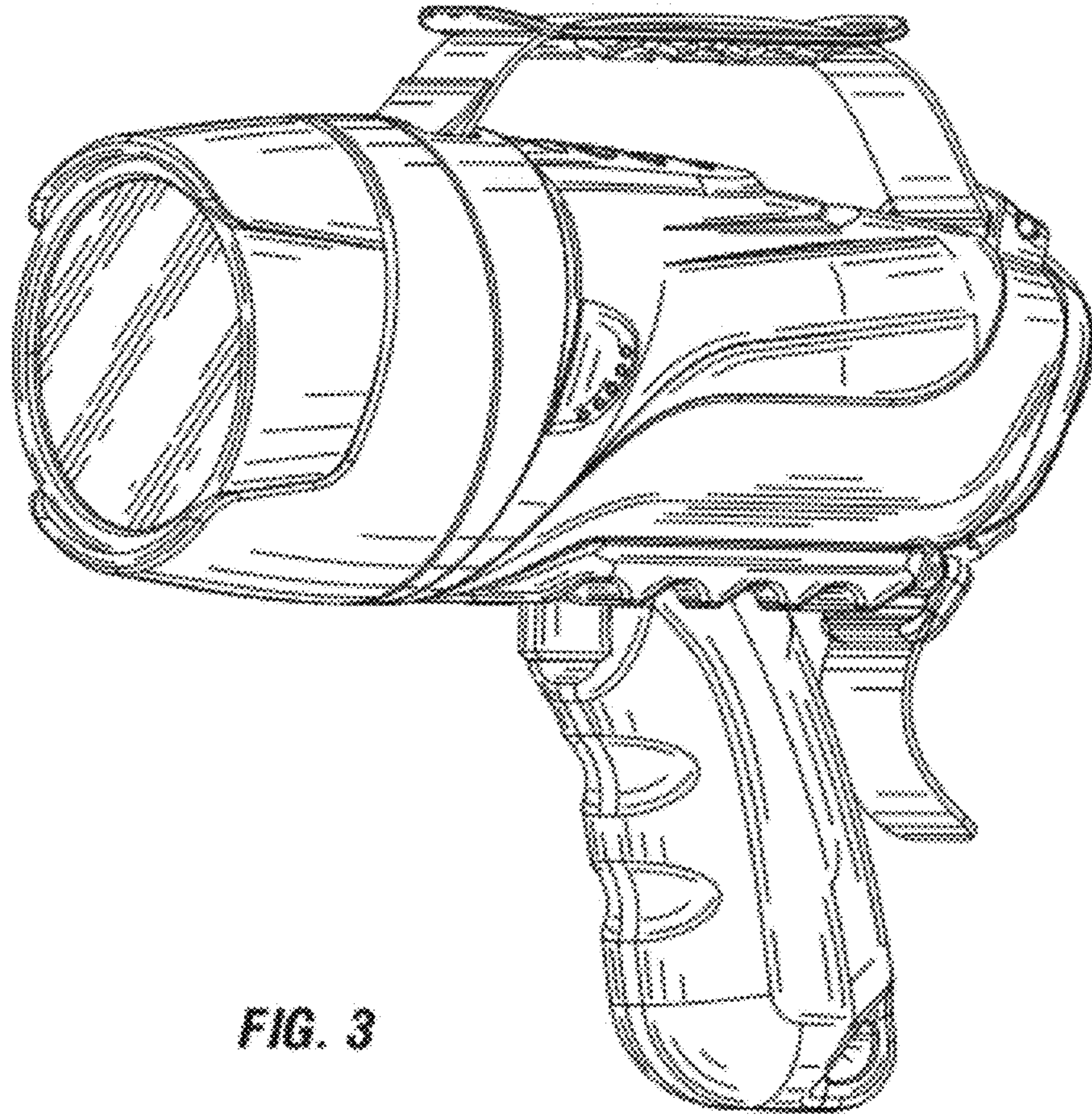


FIG. 3

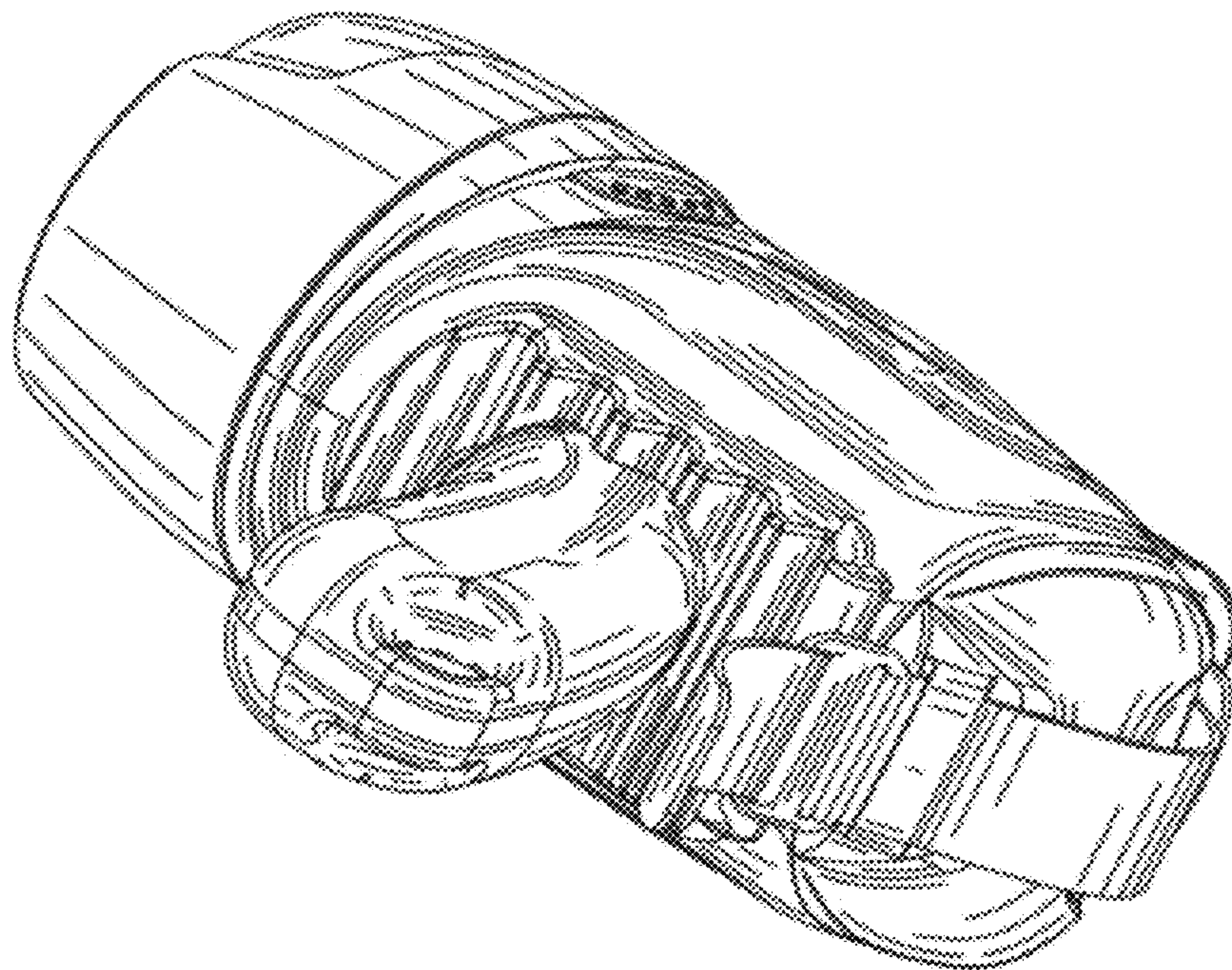


FIG. 4

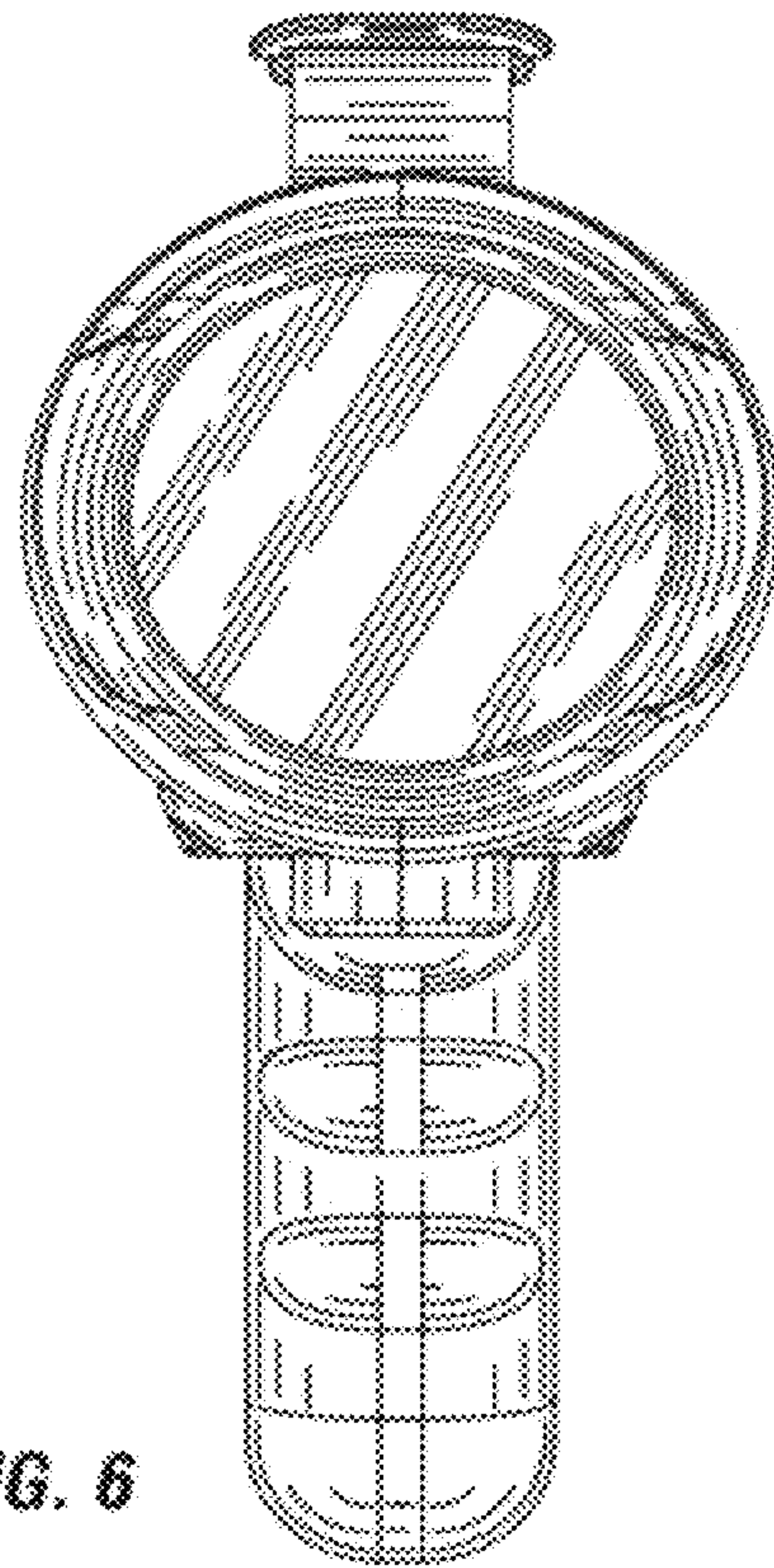
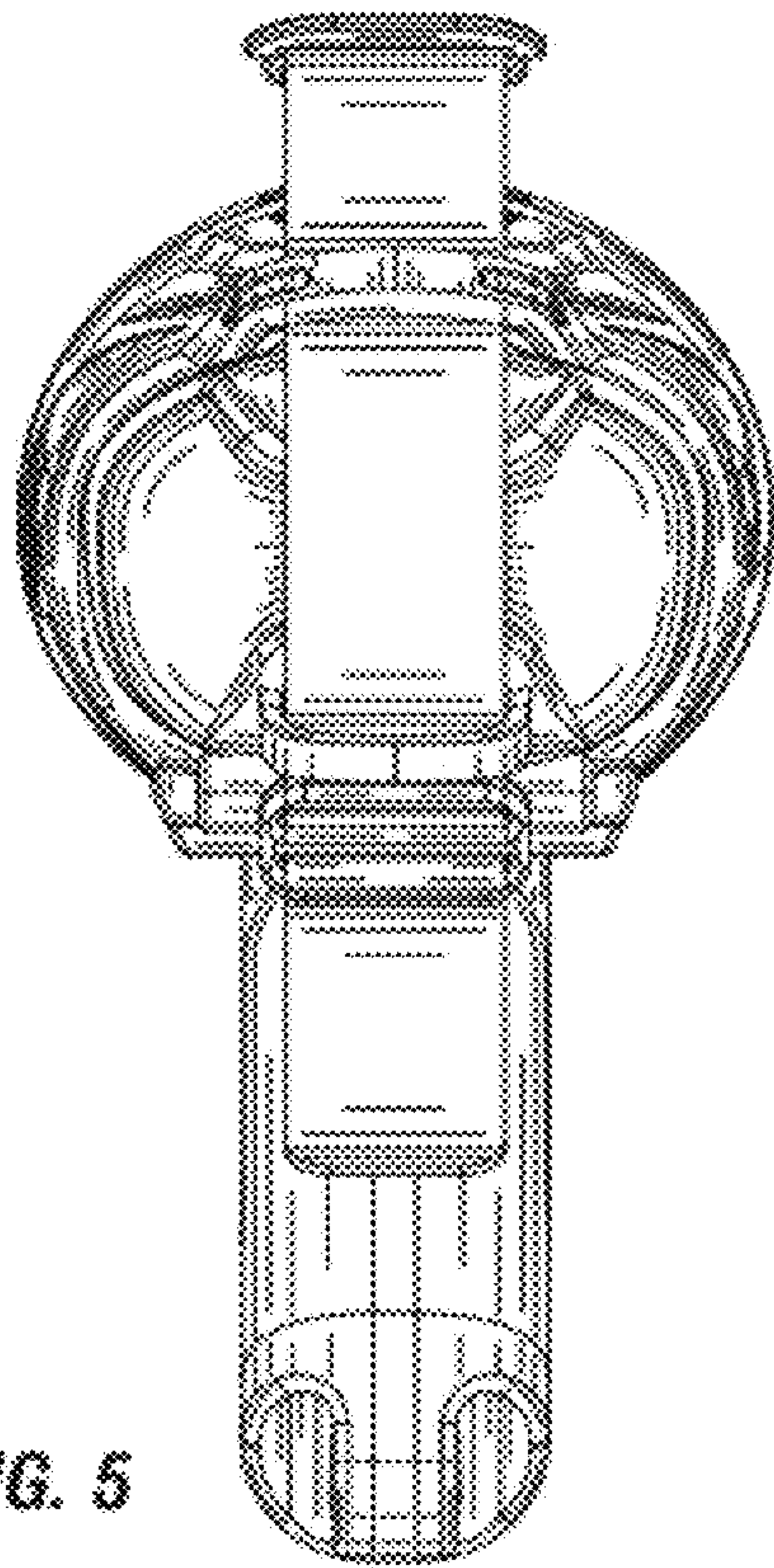


FIG. 5

FIG. 6

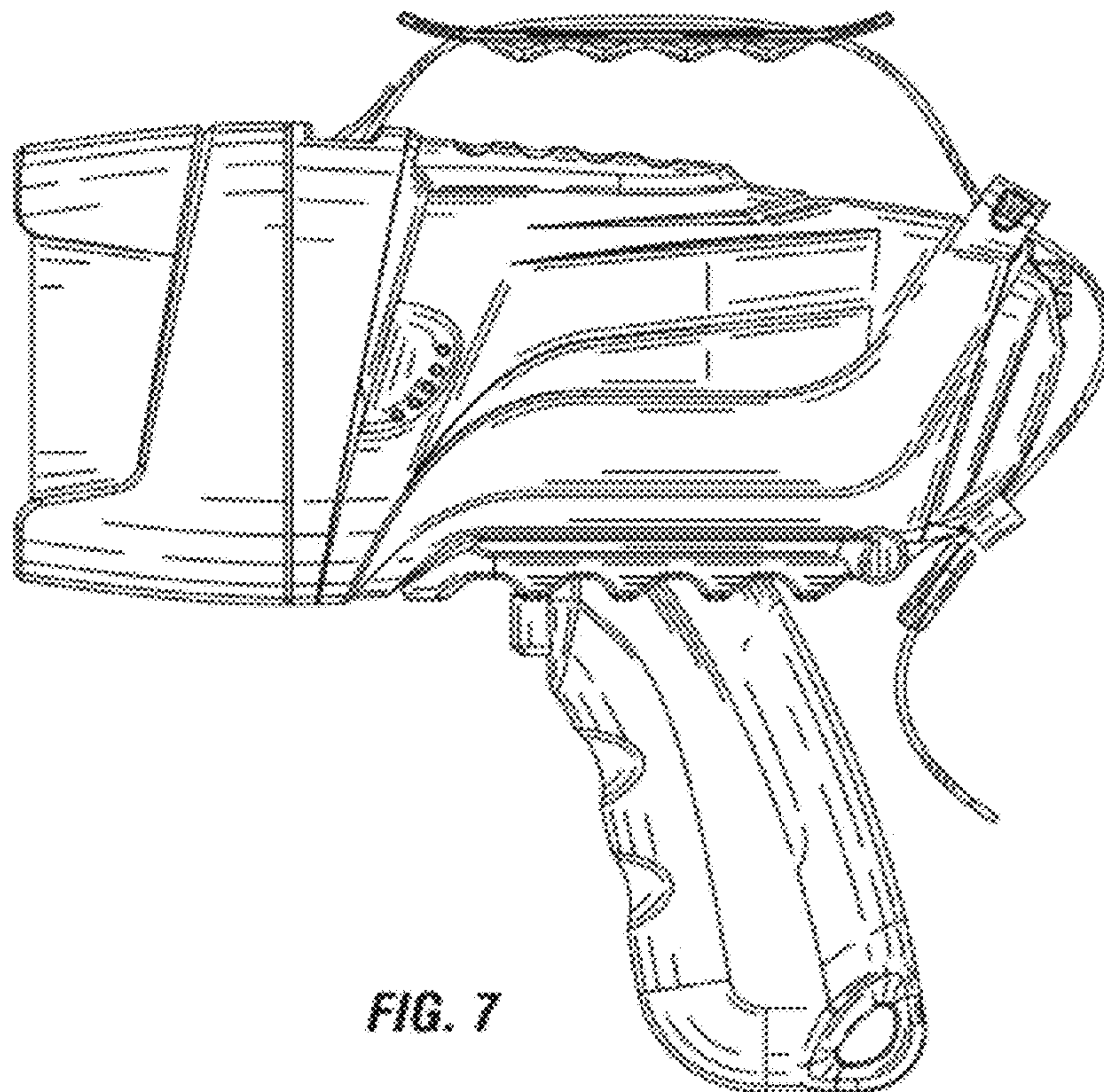


FIG. 7

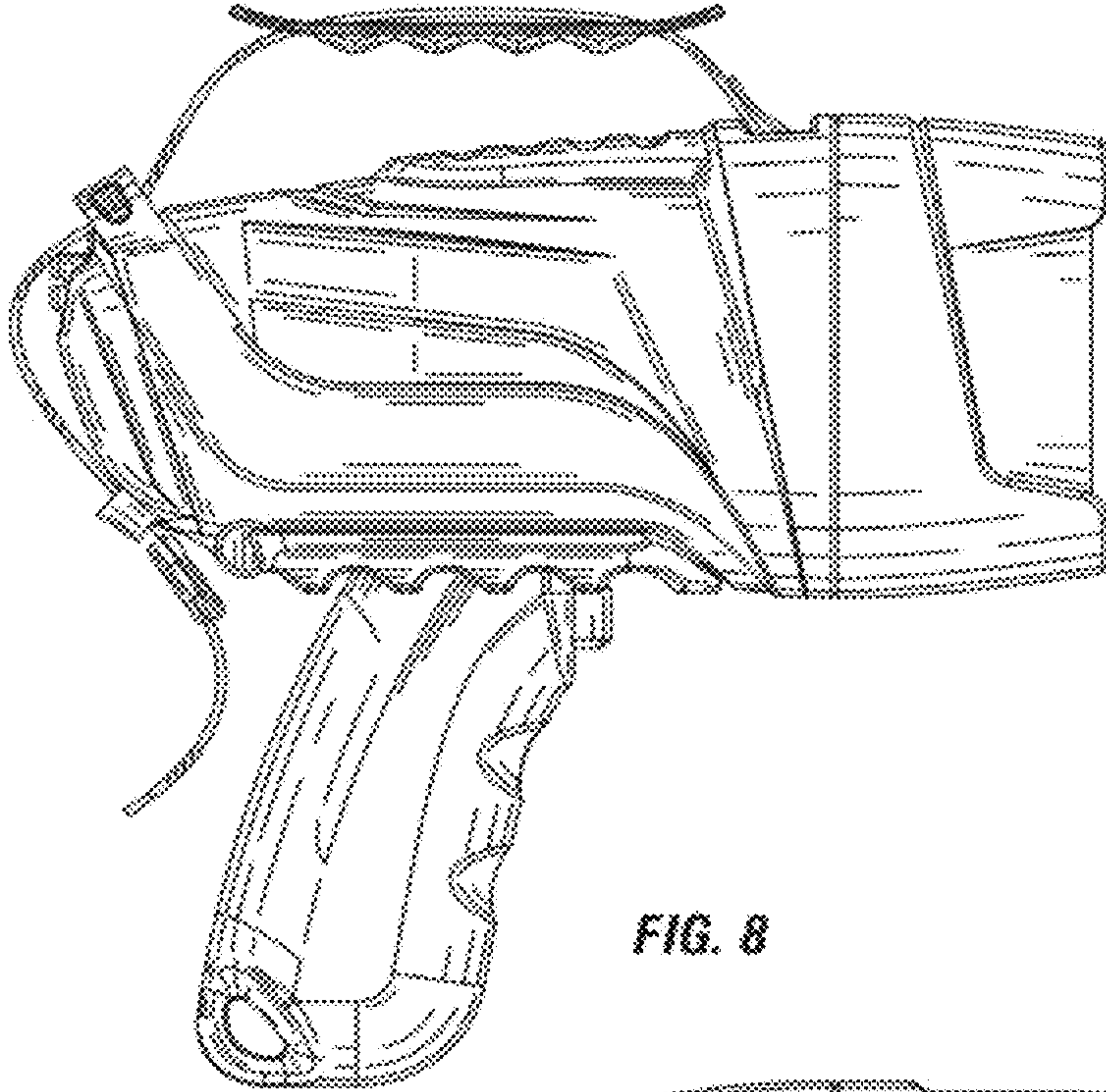


FIG. 8

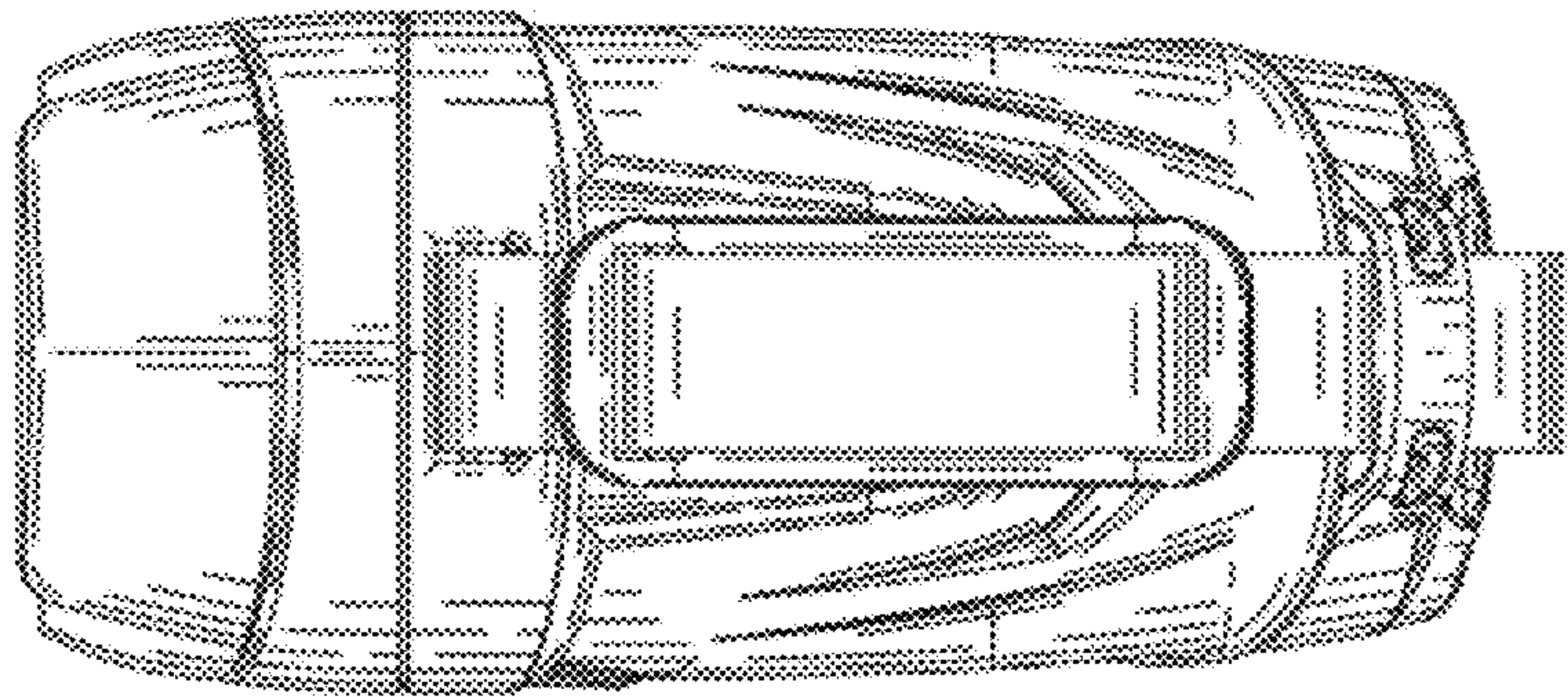


FIG. 9

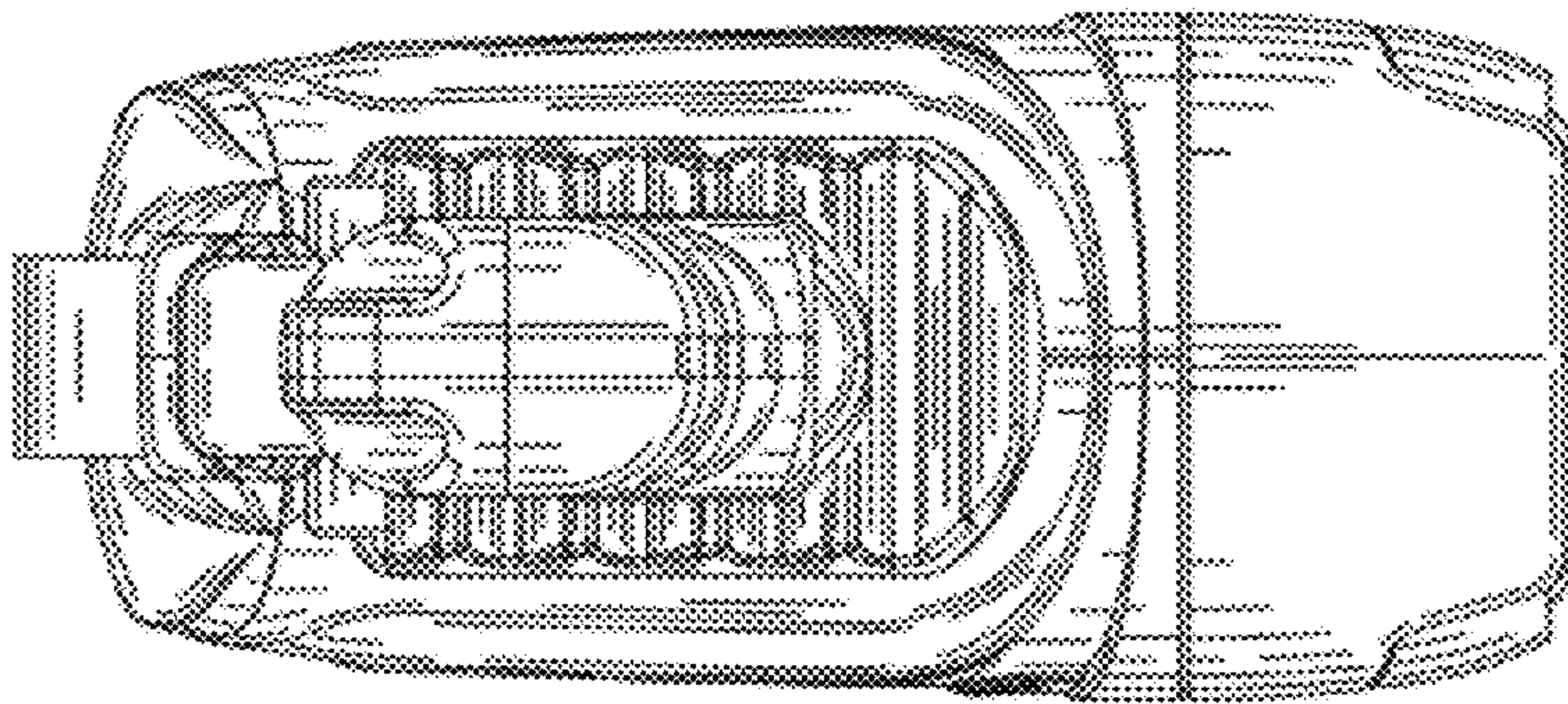


FIG. 10

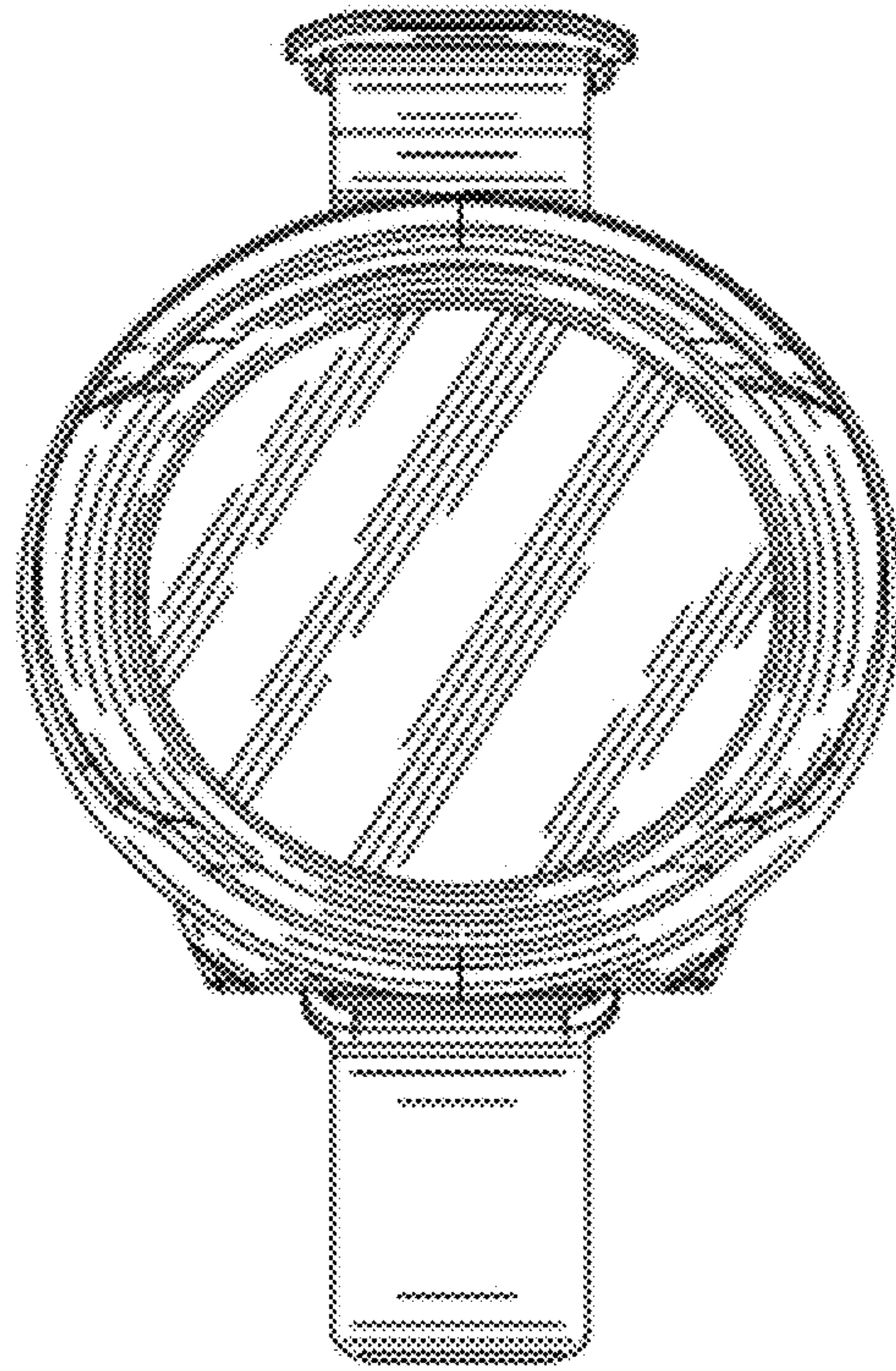


FIG. 11

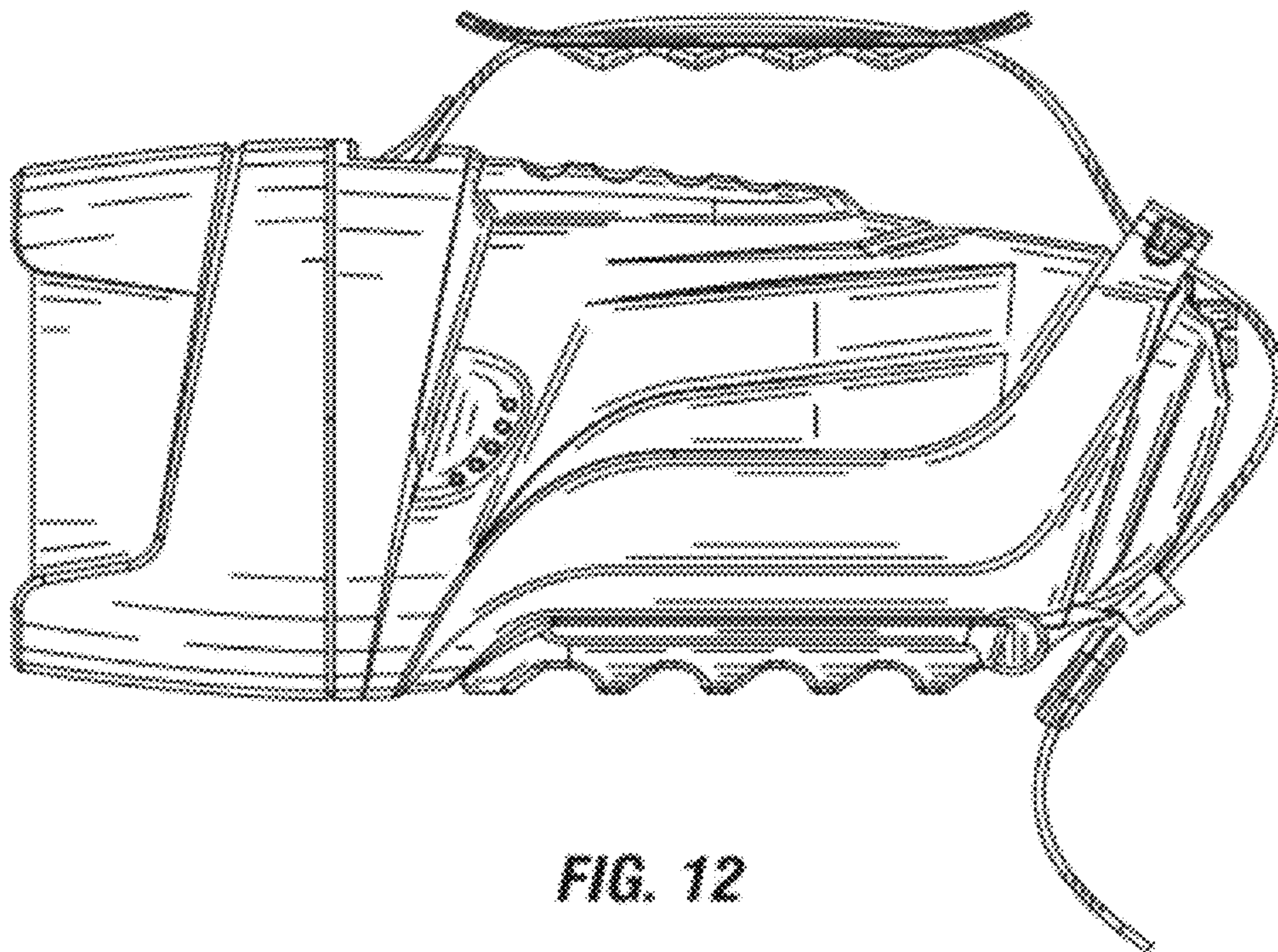


FIG. 12

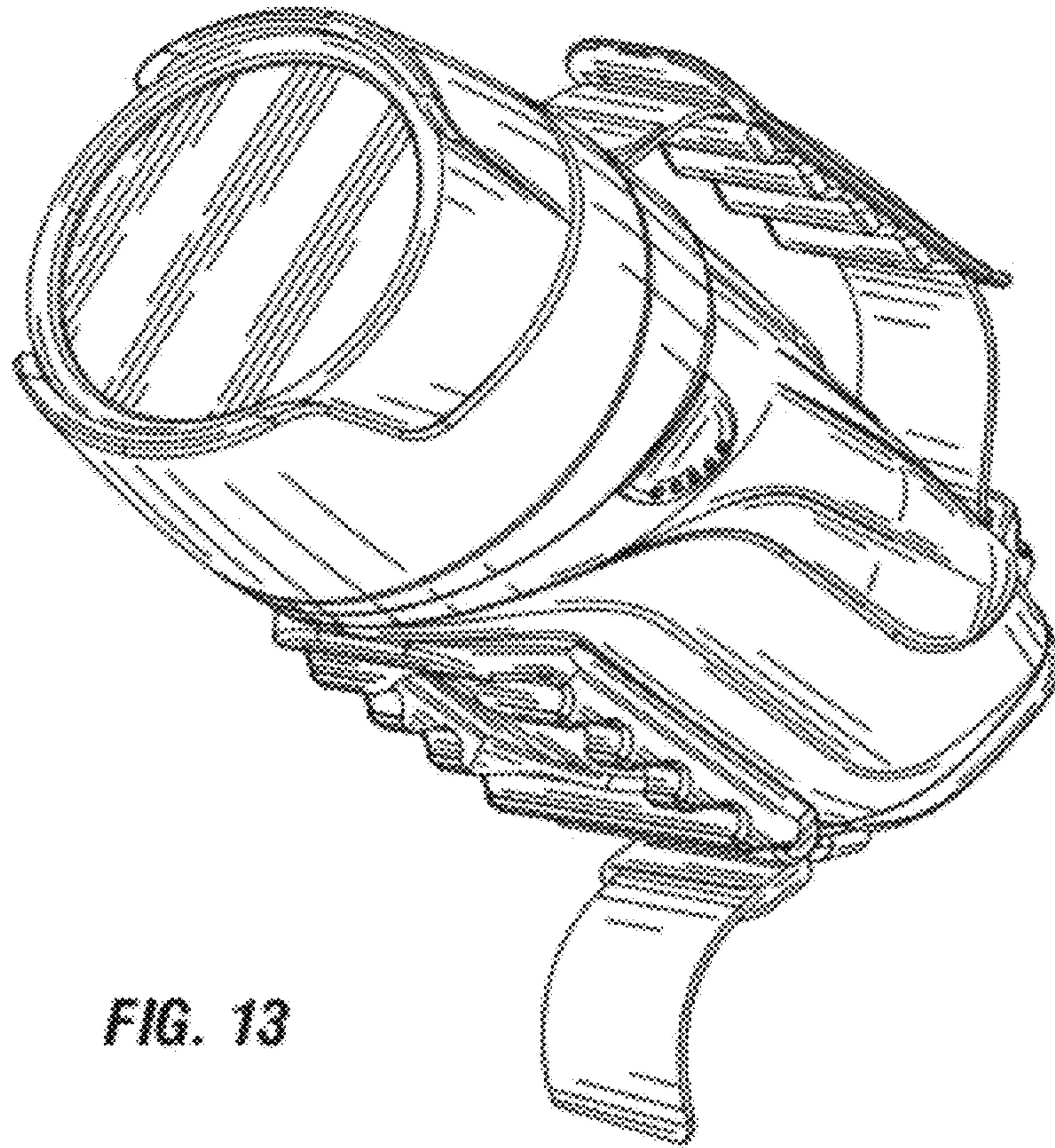


FIG. 13

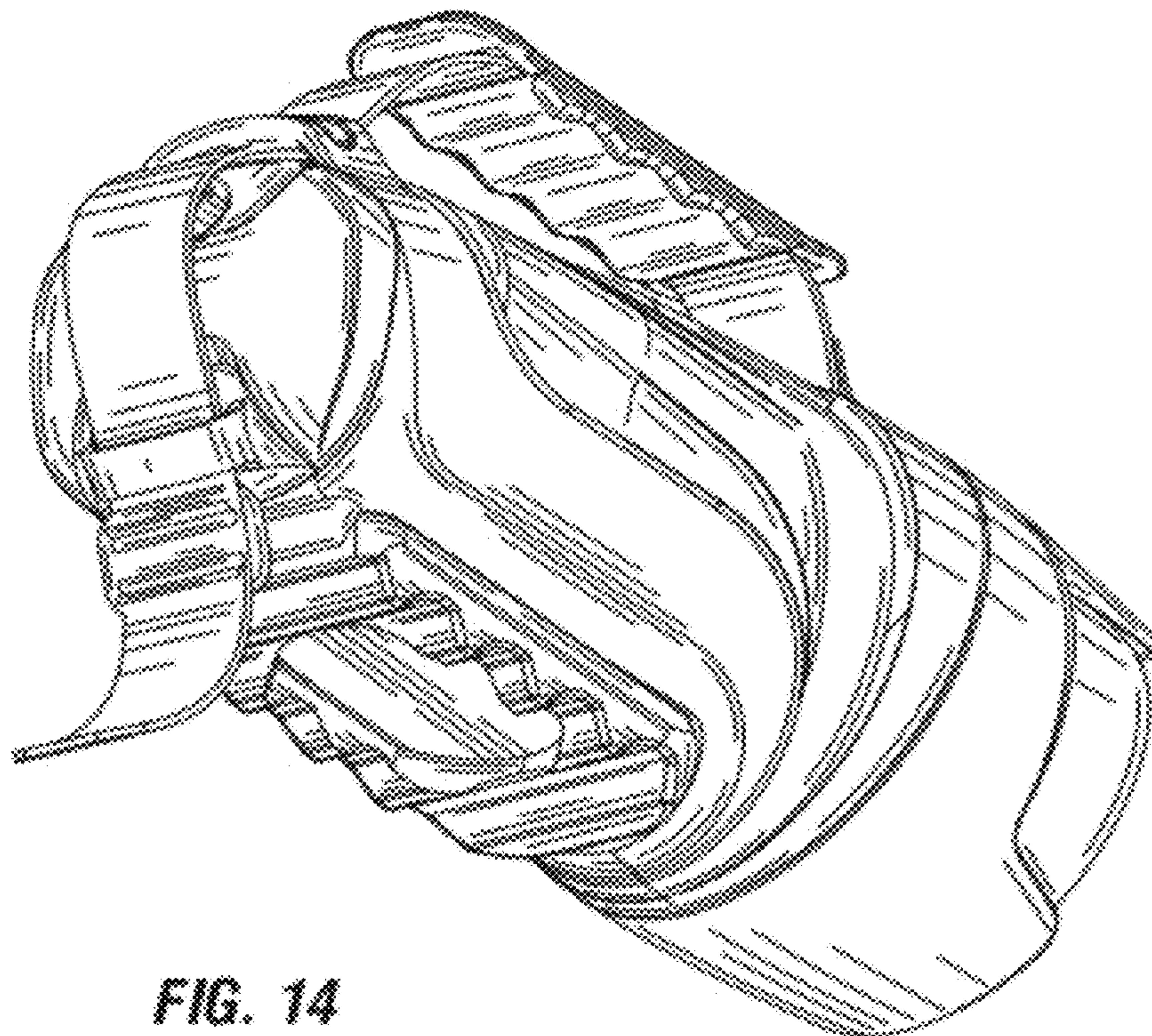


FIG. 14