



US00D657900S

(12) **United States Design Patent**
Sasaki et al.

(10) **Patent No.:** **US D657,900 S**
(45) **Date of Patent:** **** Apr. 17, 2012**

(54) **REAR COMBINATION LAMP FOR AN
AUTOMOBILE**

(75) Inventors: **Kouichi Sasaki**, Saitama (JP); **Yoshio
Kurahashi**, Saitama (JP)

(73) Assignee: **Honda Motor Co., Ltd**, Tokyo (JP)

(**) Term: **14 Years**

(21) Appl. No.: **29/387,977**

(22) Filed: **Mar. 22, 2011**

(30) **Foreign Application Priority Data**

Sep. 30, 2010 (JP) 2010-023485

(51) **LOC (9) Cl.** **26-06**

(52) **U.S. Cl.** **D26/28**

(58) **Field of Classification Search** D26/28-36;
362/459-468, 475-478, 485-487

See application file for complete search history.

(56) **References Cited**

U.S. PATENT DOCUMENTS

D549,363 S *	8/2007	Pfeiffer	D26/28
D552,769 S *	10/2007	Leclercq	D26/28
D553,268 S *	10/2007	Pfeiffer	D26/28
D553,269 S *	10/2007	Pfeiffer et al.	D26/28
D565,211 S *	3/2008	Haller et al.	D26/28
D574,524 S *	8/2008	Tomatsu	D26/28
D605,793 S *	12/2009	Weil	D26/28

* cited by examiner

Primary Examiner — Marcus Jackson

(74) *Attorney, Agent, or Firm* — Westerman, Hattori,
Daniels & Adrian, LLP

(57) **CLAIM**

The ornamental design for, a rear combination lamp for an
automobile, as shown and described.

DESCRIPTION

FIG. 1 is a first perspective view of a rear combination lamp
for an automobile, showing our new design;
FIG. 2 is a front elevation view thereof;
FIG. 3 is a top plan view thereof; and,
FIG. 4 is a left side elevation view thereof.
The broken lines are for illustrative purposes only and form
no part of the claimed design.

1 Claim, 4 Drawing Sheets

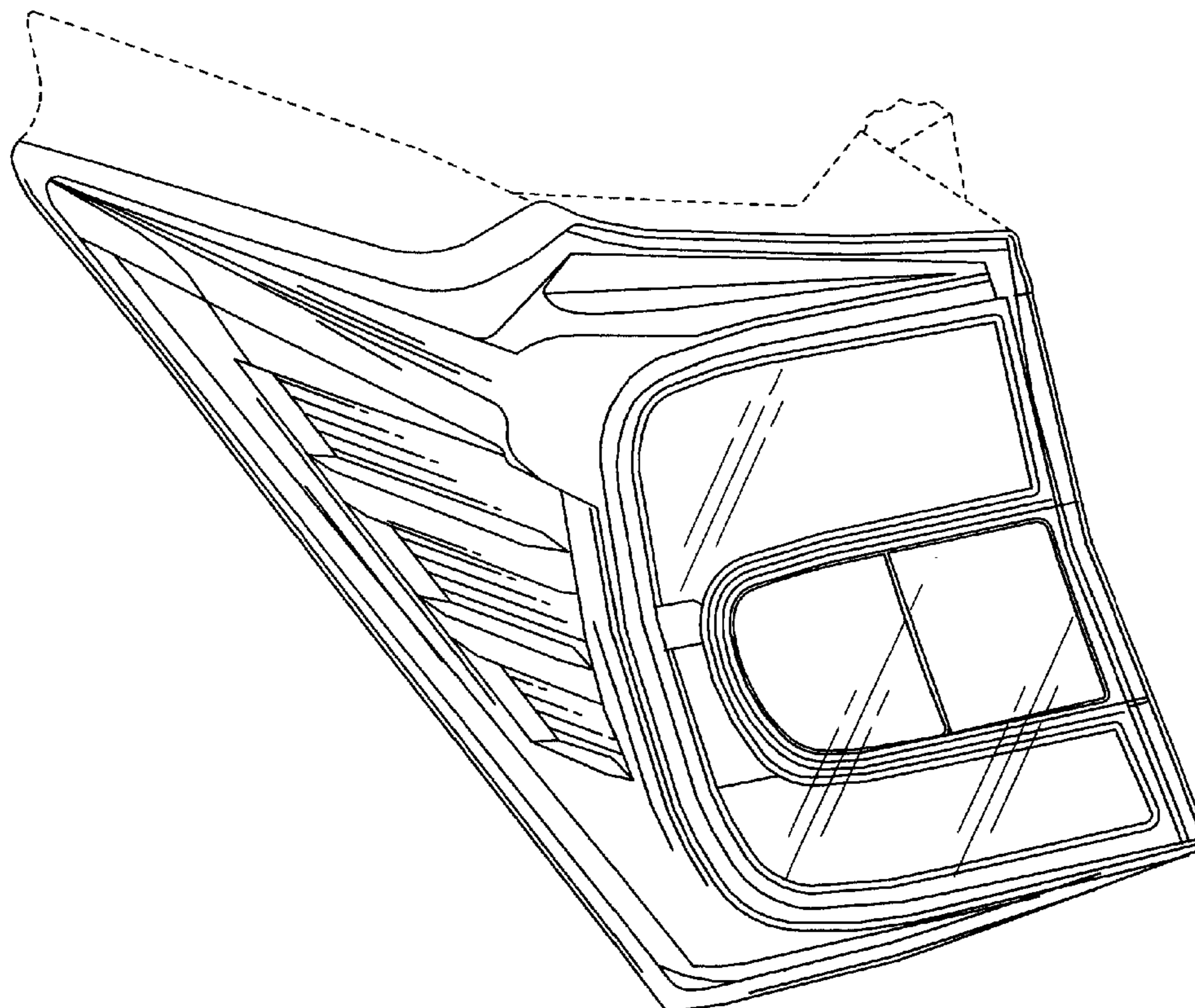


Fig. 1

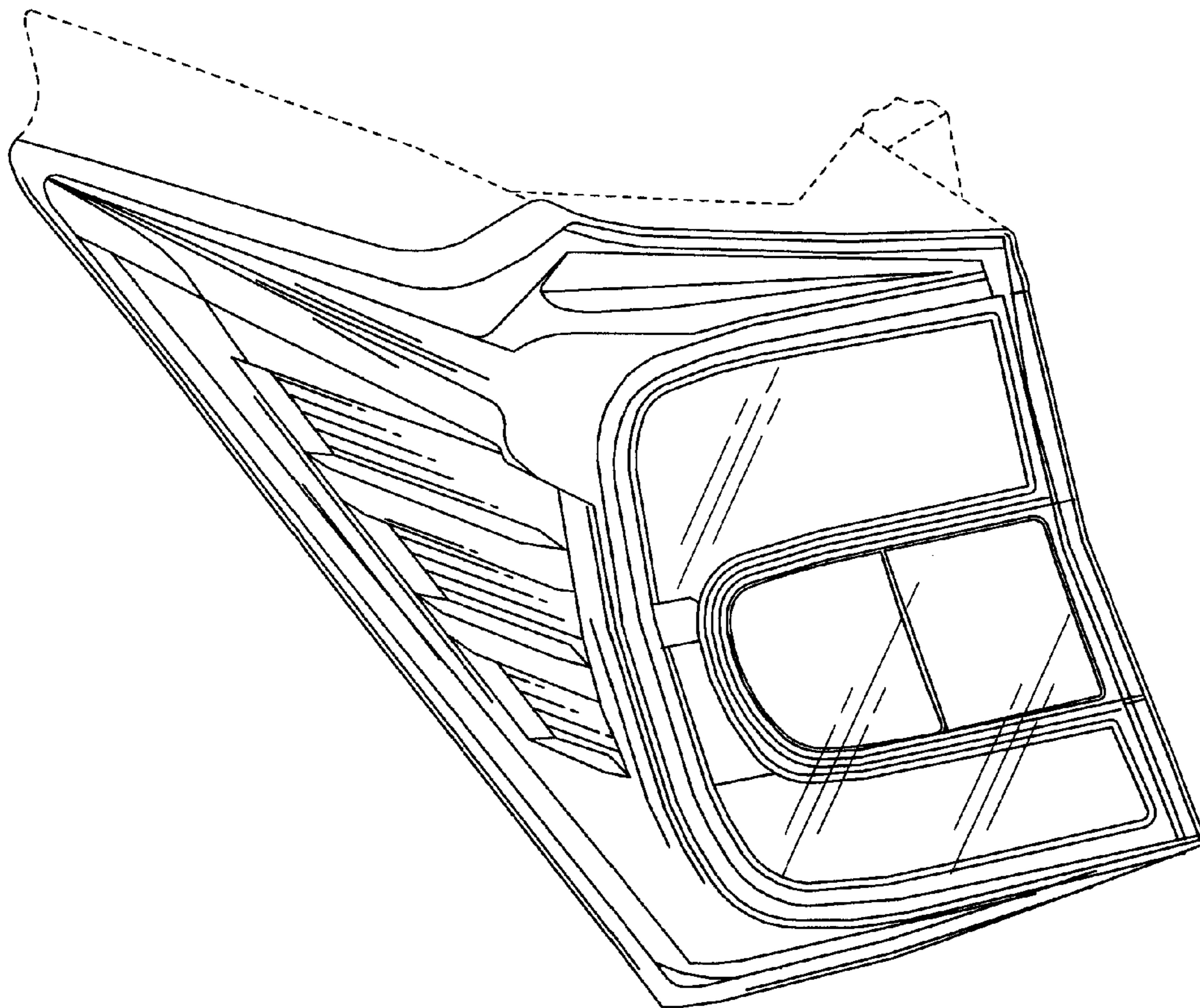


Fig. 2

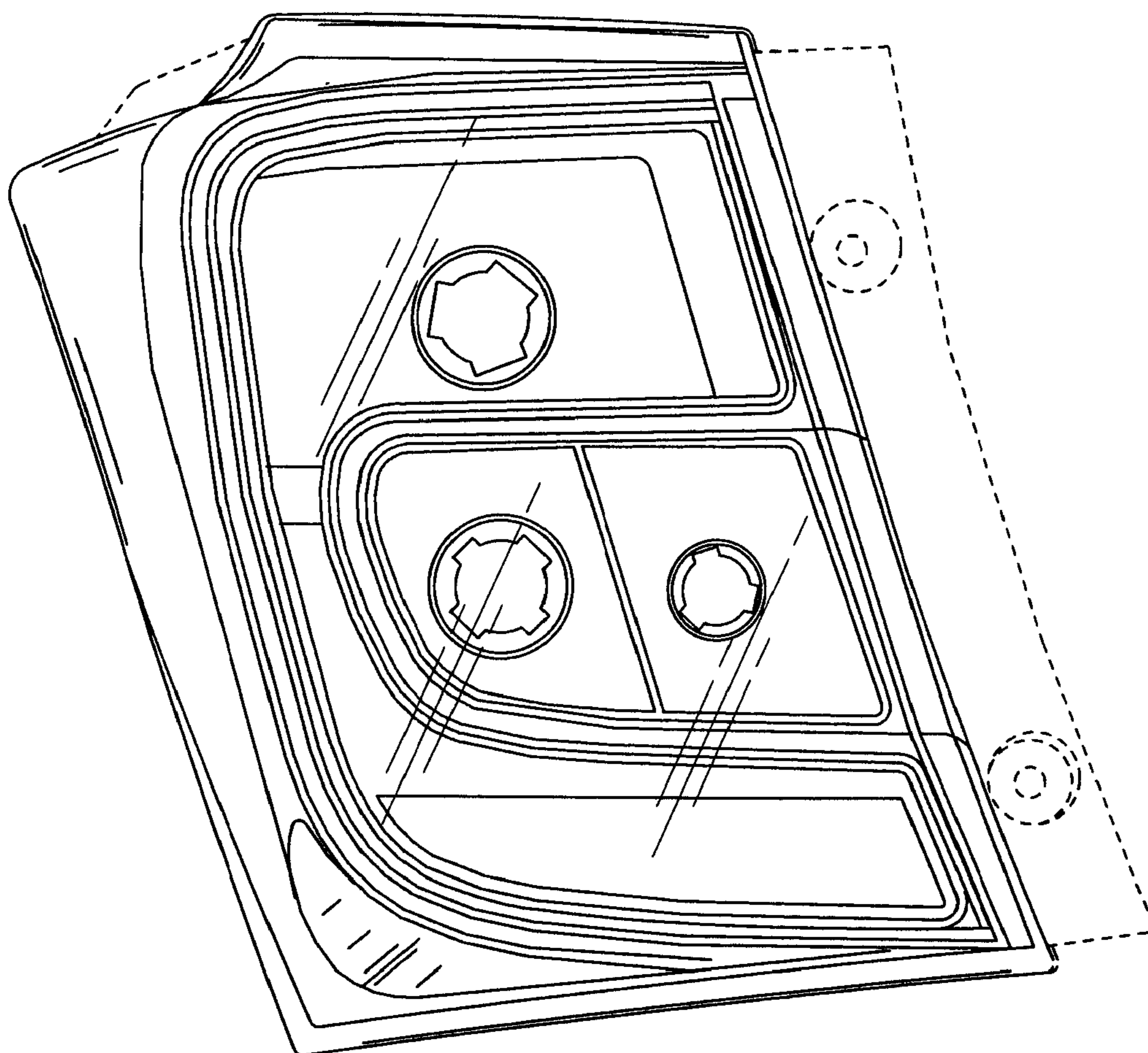


Fig.3

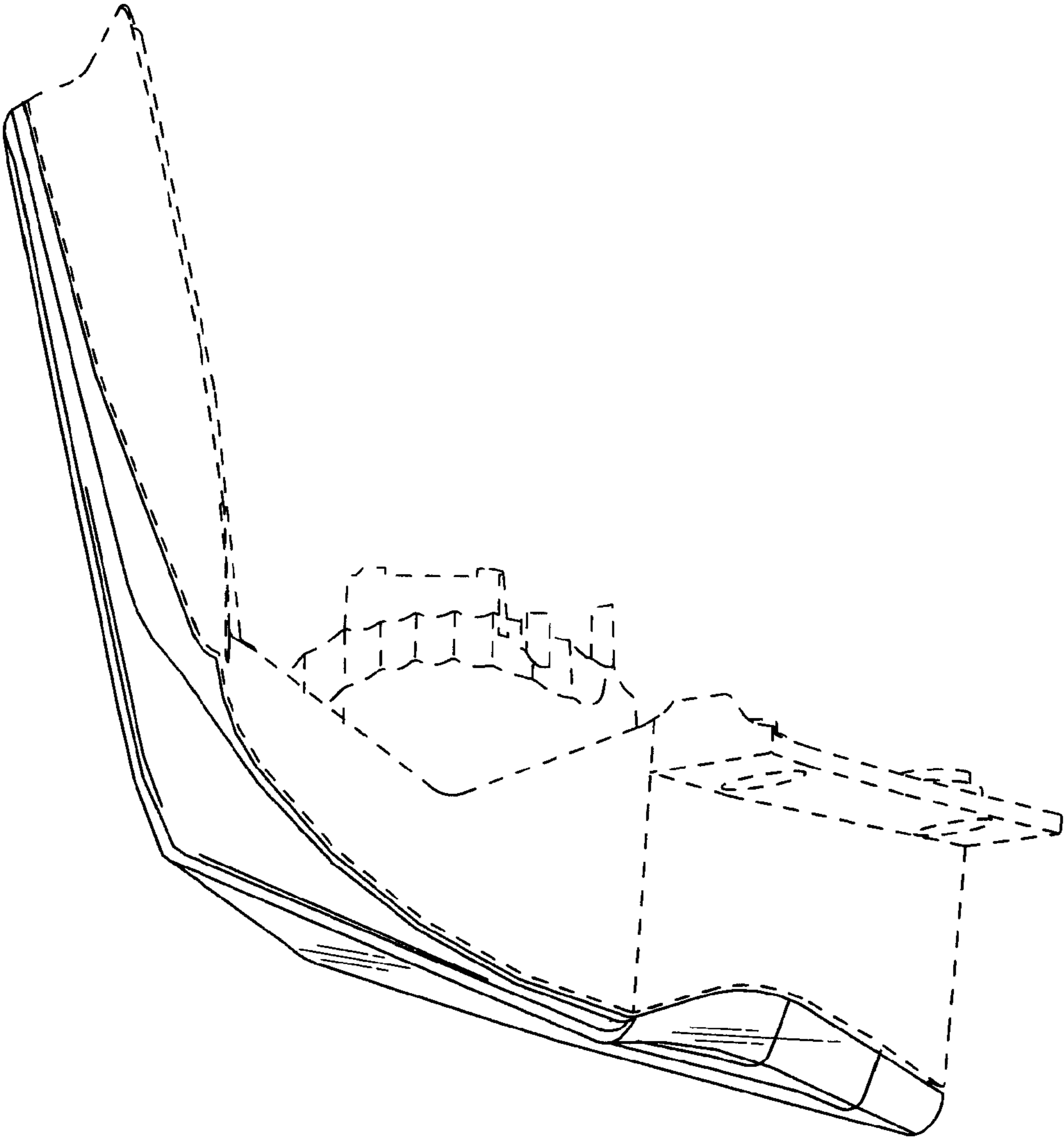


Fig.4

