



US00D657892S

(12) **United States Design Patent**
Cluthe

(10) **Patent No.:** **US D657,892 S**

(45) **Date of Patent:** **** Apr. 17, 2012**

(54) **SHINGLE**

(75) Inventor: **Gary Paul Cluthe**, Waterloo (CA)

(73) Assignee: **Canadian General-Tower Limited**,
Cambridge (CA)

(**) Term: **14 Years**

(21) Appl. No.: **29/340,915**

(22) Filed: **Jul. 28, 2009**

(30) **Foreign Application Priority Data**

Jan. 30, 2009 (CA) 129485

(51) **LOC (9) Cl.** **25-01**

(52) **U.S. Cl.** **D25/140**

(58) **Field of Classification Search** D25/139,
D25/143, 144, 140; 52/518, 519, 314, 554,
52/555, 560, 528, 311.2

See application file for complete search history.

(56) **References Cited**

U.S. PATENT DOCUMENTS

3,852,934	A *	12/1974	Kirkhuff	52/539
3,868,300	A *	2/1975	Wheeler	162/124
D282,288	S *	1/1986	Bates	D25/140
D356,873	S *	3/1995	Bamber et al.	D25/140
D410,094	S *	5/1999	Hedges et al.	D25/143

* cited by examiner

Primary Examiner — Doris Clark

(74) *Attorney, Agent, or Firm* — Borden Ladner Gervais
LLP; Jeffrey W. Wong

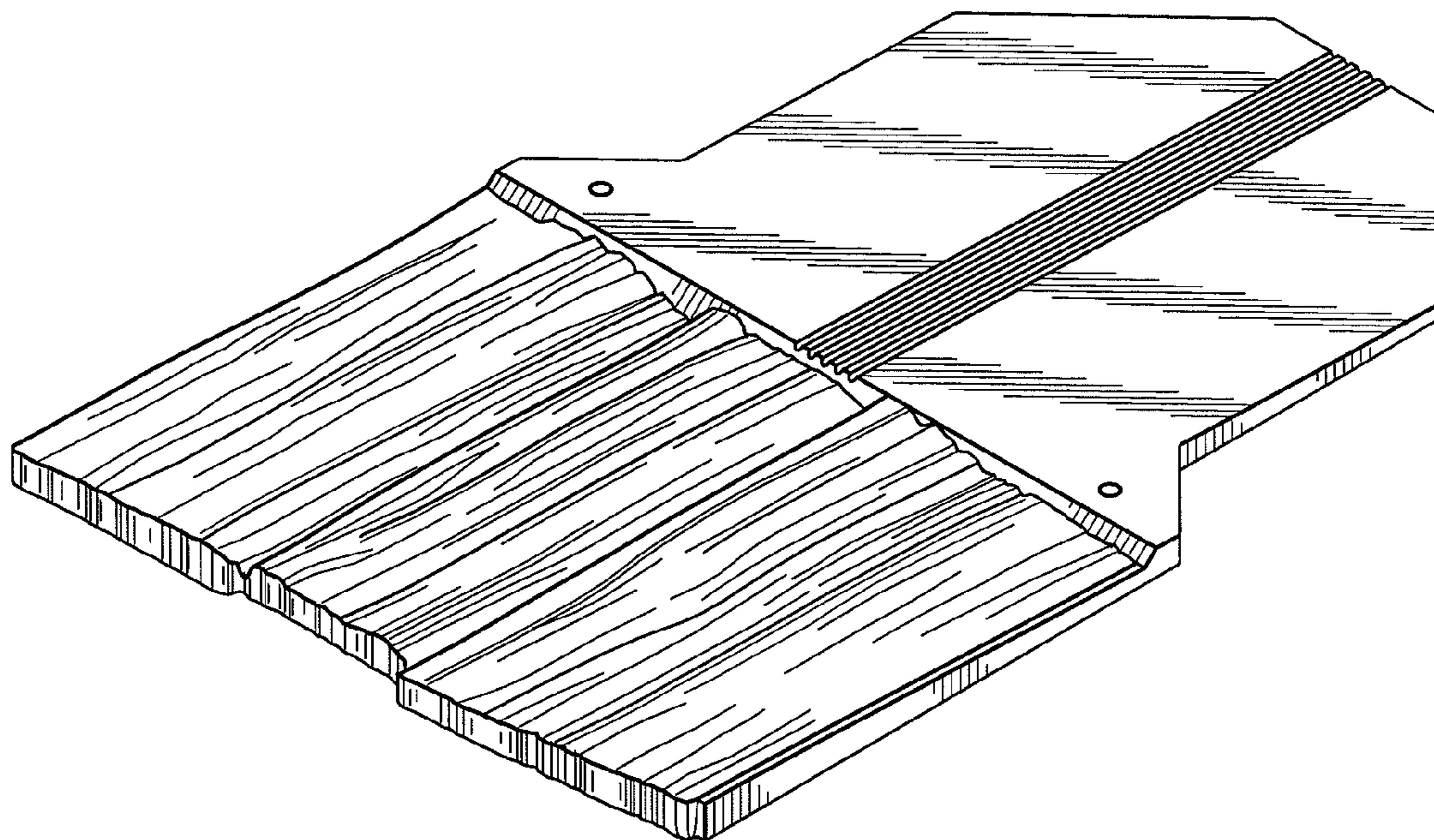
(57) **CLAIM**

I claim the ornamental design for the shingle, as shown and described.

DESCRIPTION

FIG. 1 is a top right front perspective view of a shingle;
FIG. 2 is a top view thereof;
FIG. 3 is a bottom view thereof;
FIG. 4 is a right side view thereof;
FIG. 5 is a left side view thereof;
FIG. 6 is a rear view thereof; and,
FIG. 7 is a front view thereof.

1 Claim, 5 Drawing Sheets



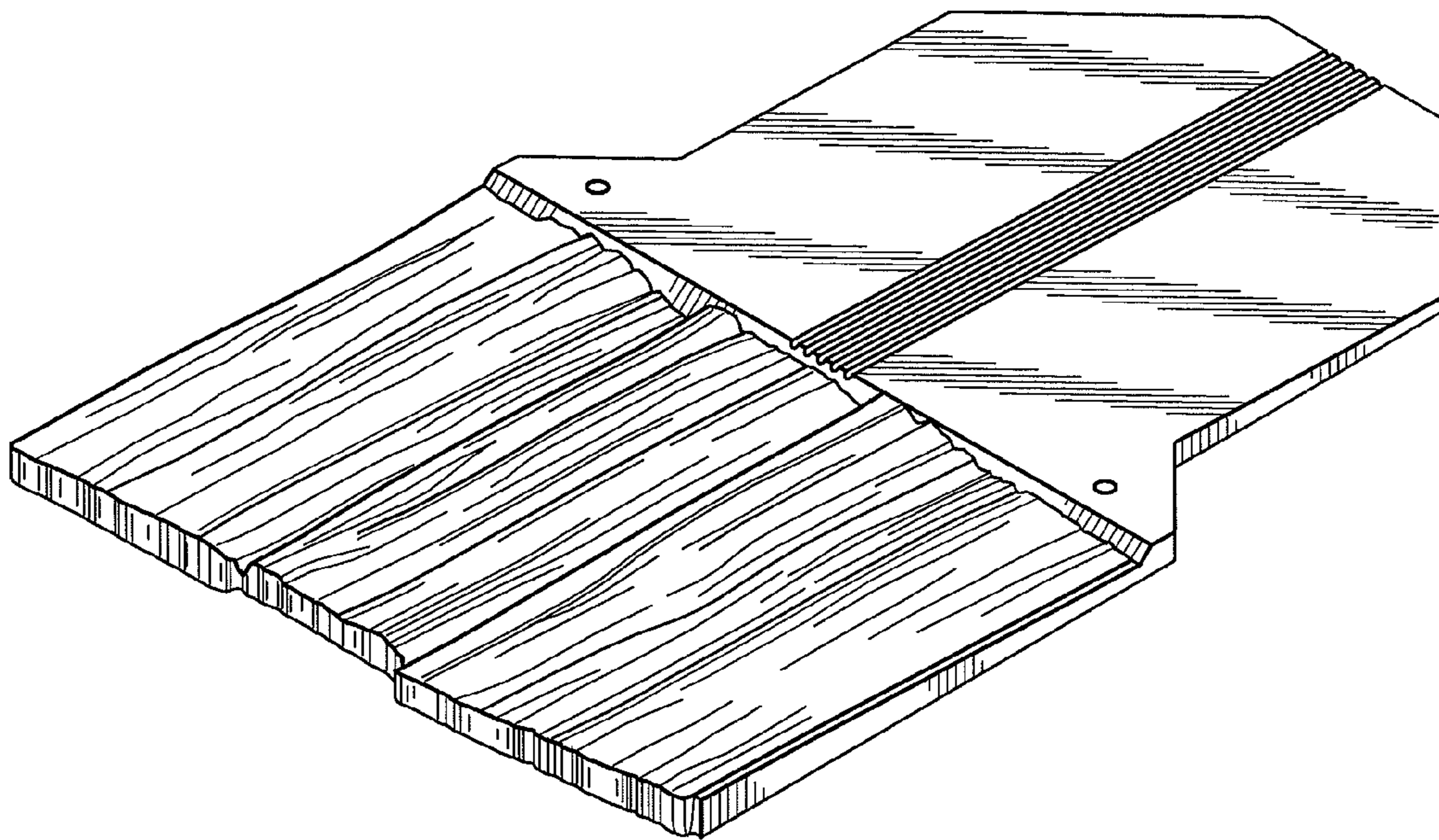


FIG. 1

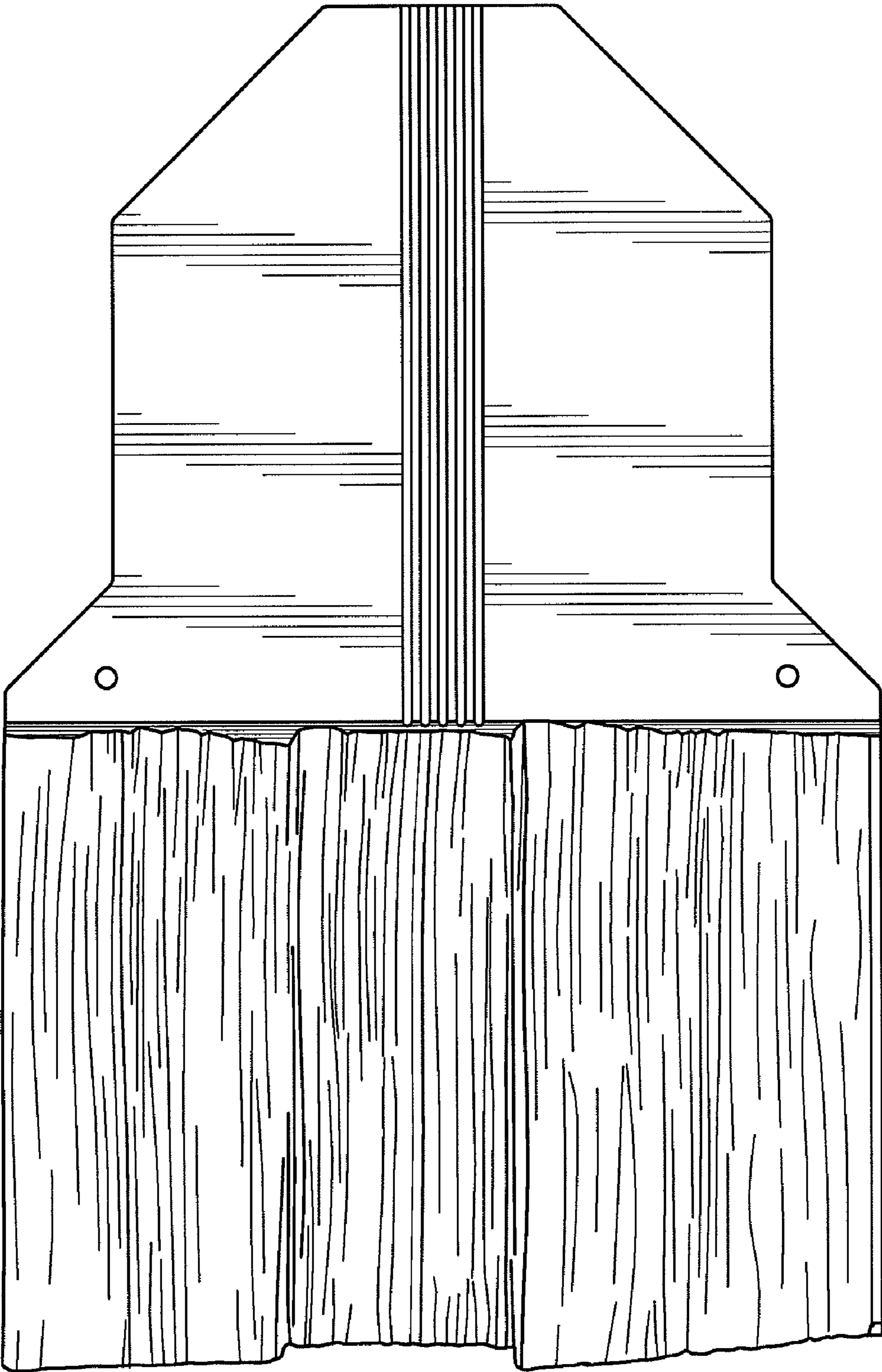


FIG.2

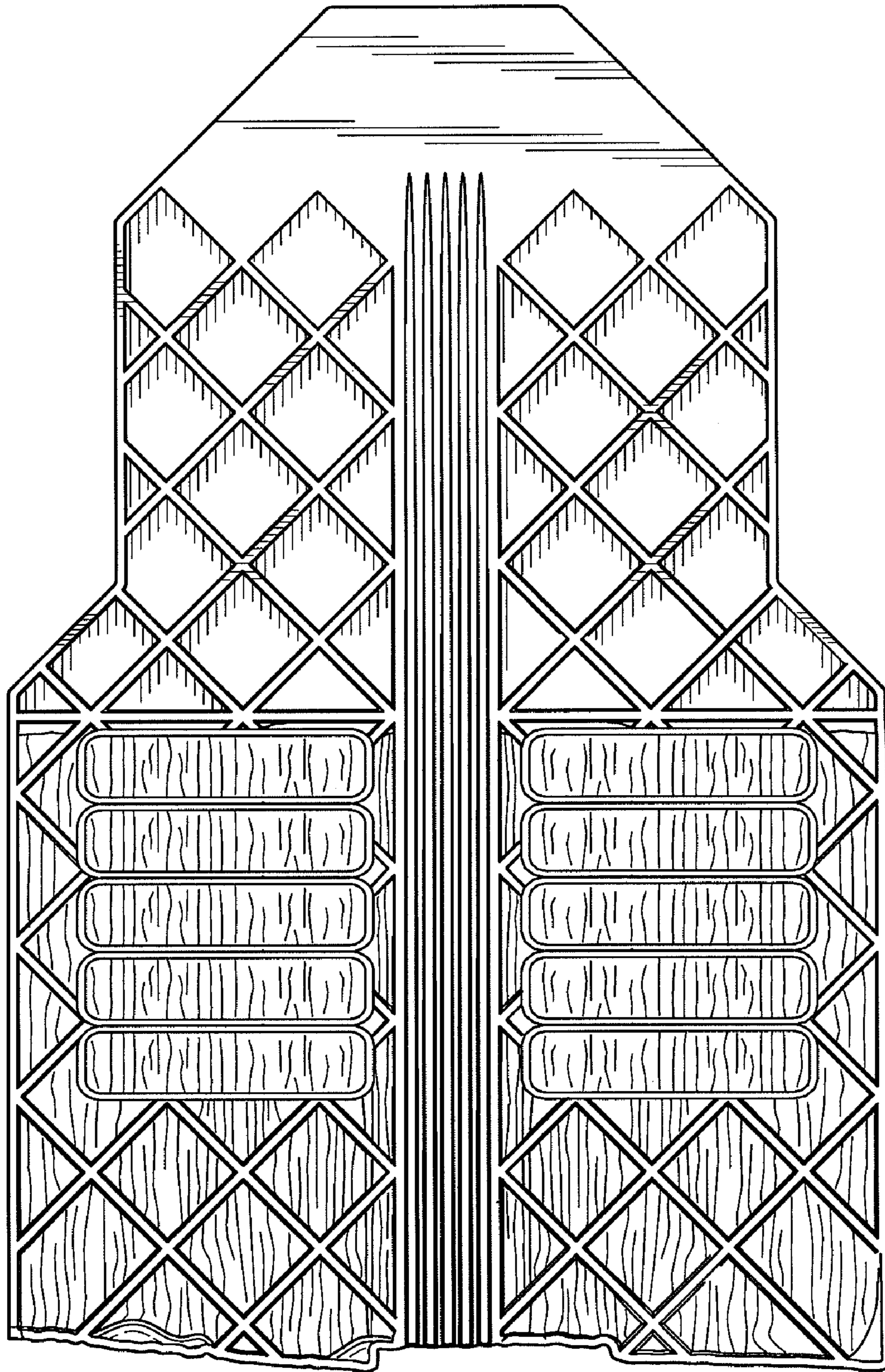


FIG.3

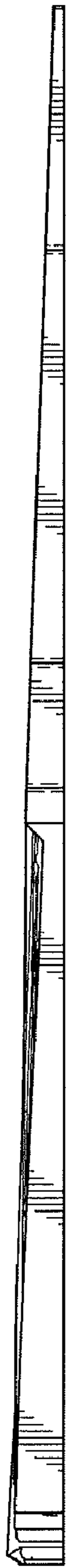


FIG. 4

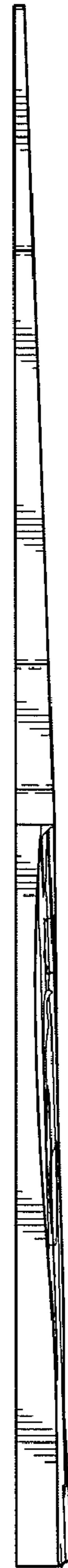


FIG. 5



FIG. 6



FIG. 7