



US00D657890S

(12) **United States Design Patent**
Riccobene

(10) **Patent No.:** **US D657,890 S**

(45) **Date of Patent:** **** Apr. 17, 2012**

(54) **LANDSCAPE EDGER**

(75) **Inventor:** **Thomas S. Riccobene**, Albuquerque, NM (US)

(73) **Assignee:** **Keystone Retaining Wall Systems**, Minneapolis, MN (US)

(**) **Term:** **14 Years**

(21) **Appl. No.:** **29/377,311**

(22) **Filed:** **Oct. 20, 2010**

(51) **LOC (9) Cl.** **25-01**

(52) **U.S. Cl.** **D25/113**

(58) **Field of Classification Search** D25/102,
D25/112-118, 136, 138, 151, 152, 158, 162,
D25/164, 199; D21/484-491, 499-504;
405/16, 284, 286; 52/503-505, 574, 575,
52/596-612, 102; 404/27-42; 47/33; D8/1
See application file for complete search history.

(56) **References Cited**

U.S. PATENT DOCUMENTS

3,373,668	A	3/1968	Moore	
4,326,817	A *	4/1982	Boiardi	404/41
4,884,920	A	12/1989	Perazzi	
5,003,746	A	4/1991	Wilston	
5,080,523	A	1/1992	Steiner	
5,108,219	A	4/1992	Hair	
5,119,587	A *	6/1992	Waltz	47/33
5,154,032	A	10/1992	Ritter	

D370,394	S *	6/1996	Lilley	D8/1
5,548,938	A	8/1996	Scheiwiller	
D388,290	S *	12/1997	Riccobene	D8/1
RE37,694	E	5/2002	Riccobene	
D462,786	S *	9/2002	Ogawa	D25/113
D479,341	S *	9/2003	Scullion et al.	D25/113
D487,932	S *	3/2004	Crooks	D25/113
D490,542	S *	5/2004	MacDonald	D25/113
D557,428	S *	12/2007	Doman	D25/113
D602,172	S *	10/2009	Gratner	D25/113

FOREIGN PATENT DOCUMENTS

DE 4137814 5/1993

* cited by examiner

Primary Examiner — Anhdao Doan

(74) *Attorney, Agent, or Firm* — Thompson Hine LLP

(57) **CLAIM**

The ornamental design for a landscape edger, as shown and described.

DESCRIPTION

FIG. 1 is a front top perspective view of my ornamental design;

FIG. 2 is a top plan view thereof;

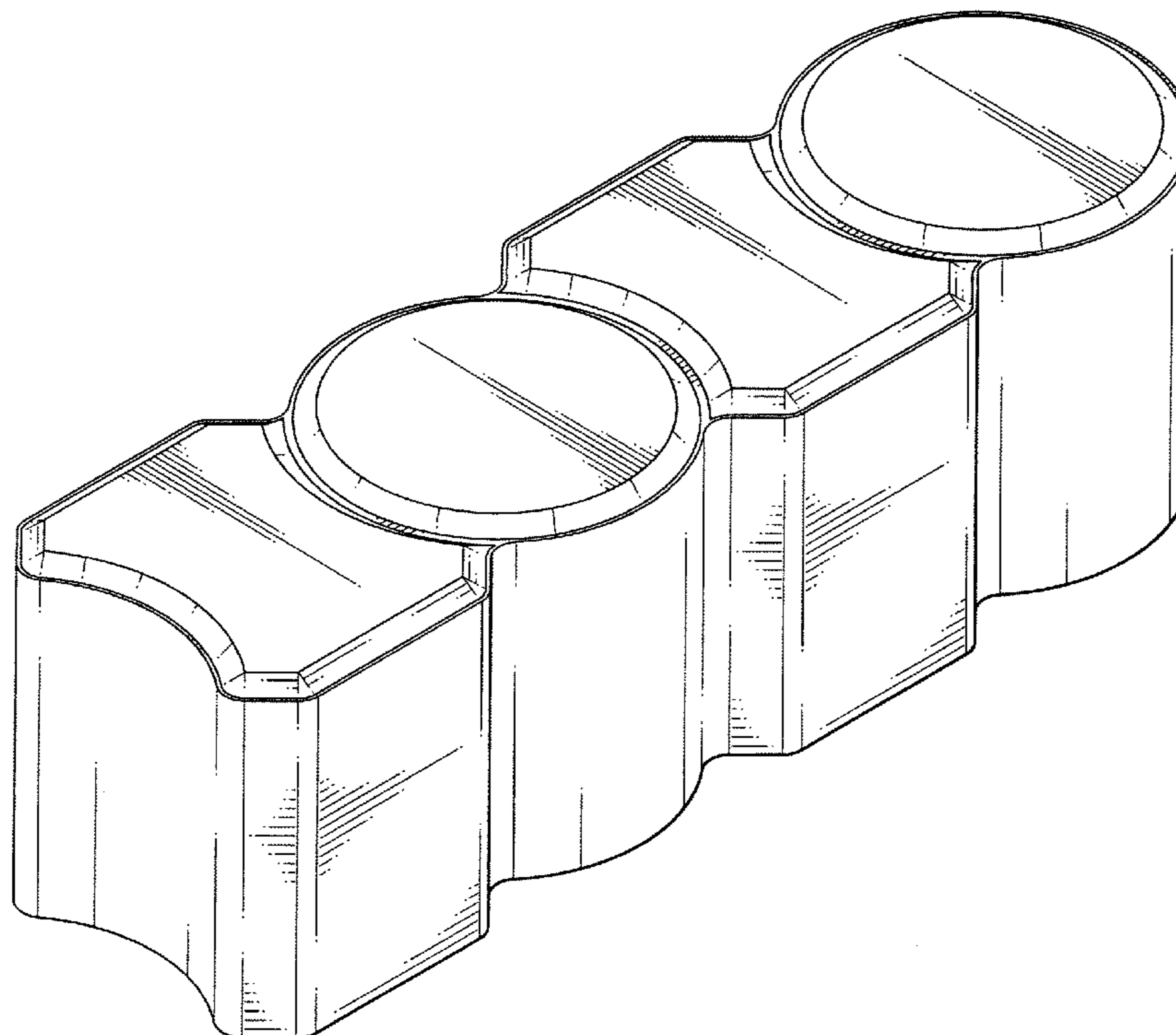
FIG. 3 is a side elevation view thereof;

FIG. 4 is a front side elevation view thereof;

FIG. 5 is a rear side elevation view thereof; and,

FIG. 6 is a bottom plan view thereof.

1 Claim, 5 Drawing Sheets



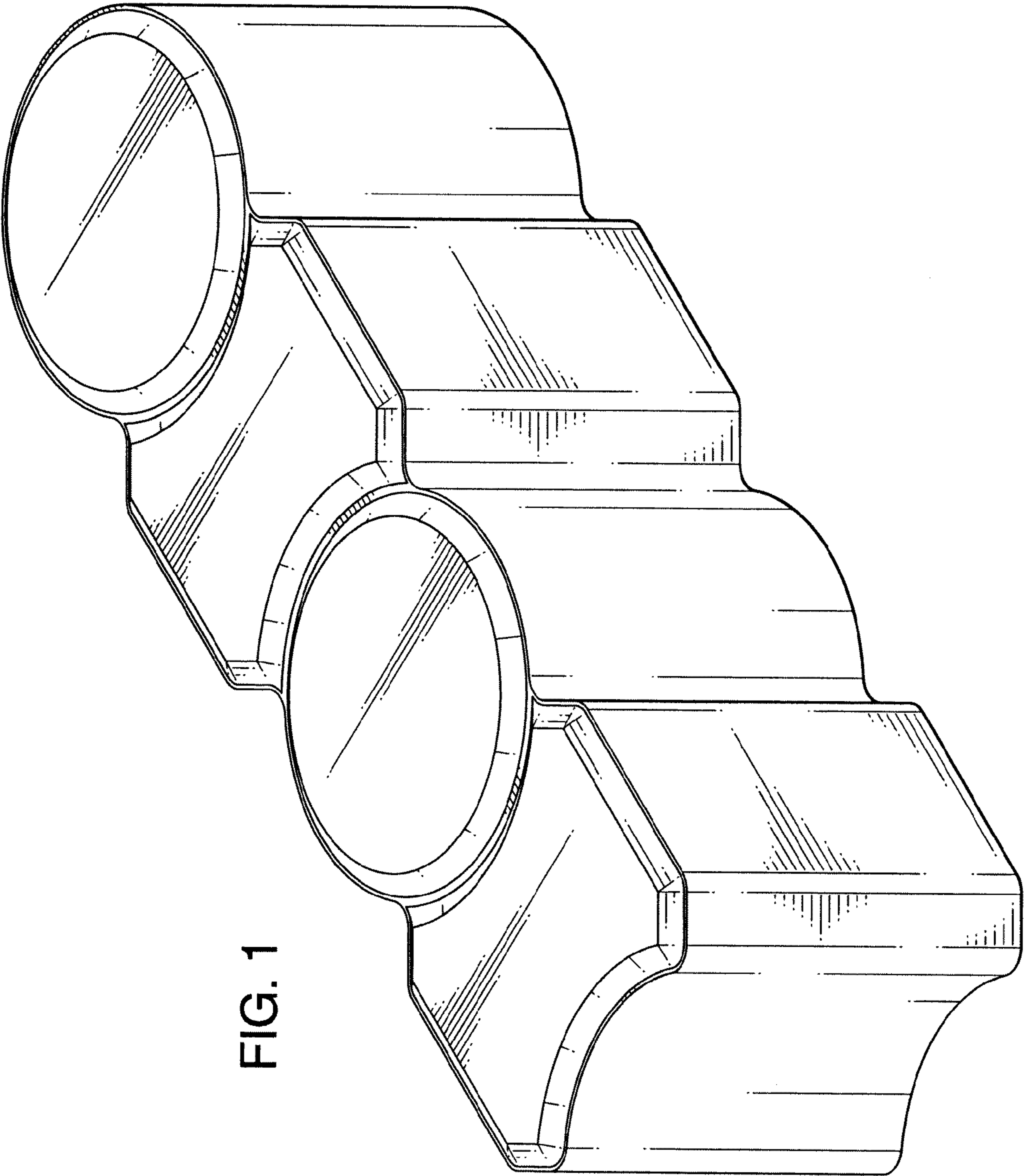


FIG. 1

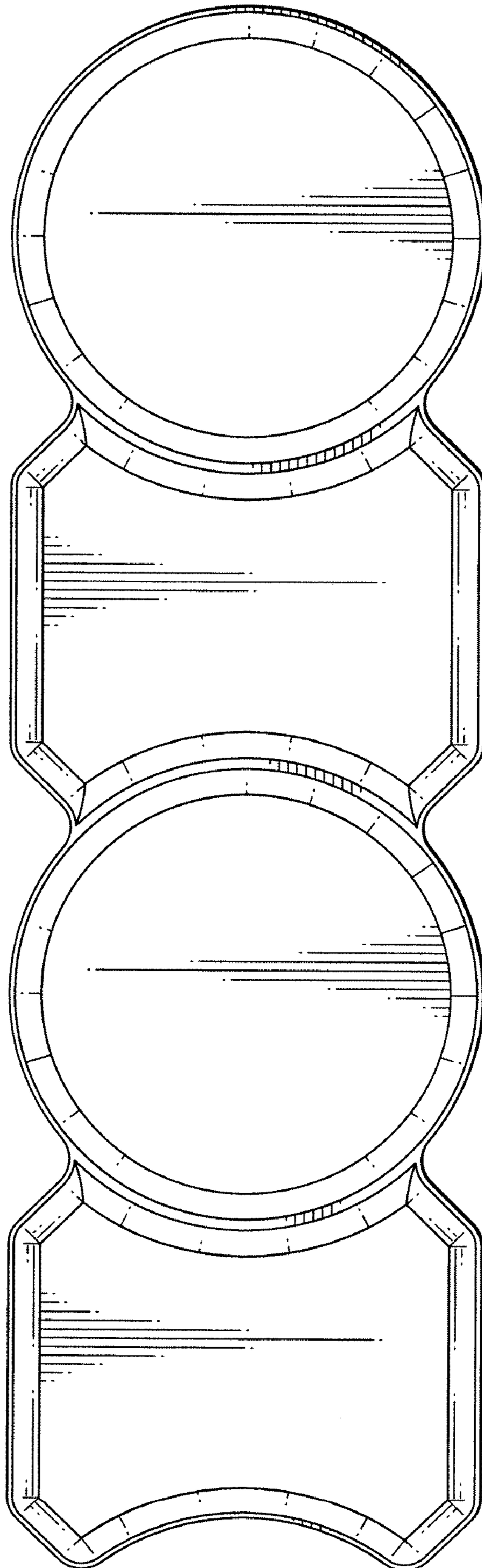


FIG. 2

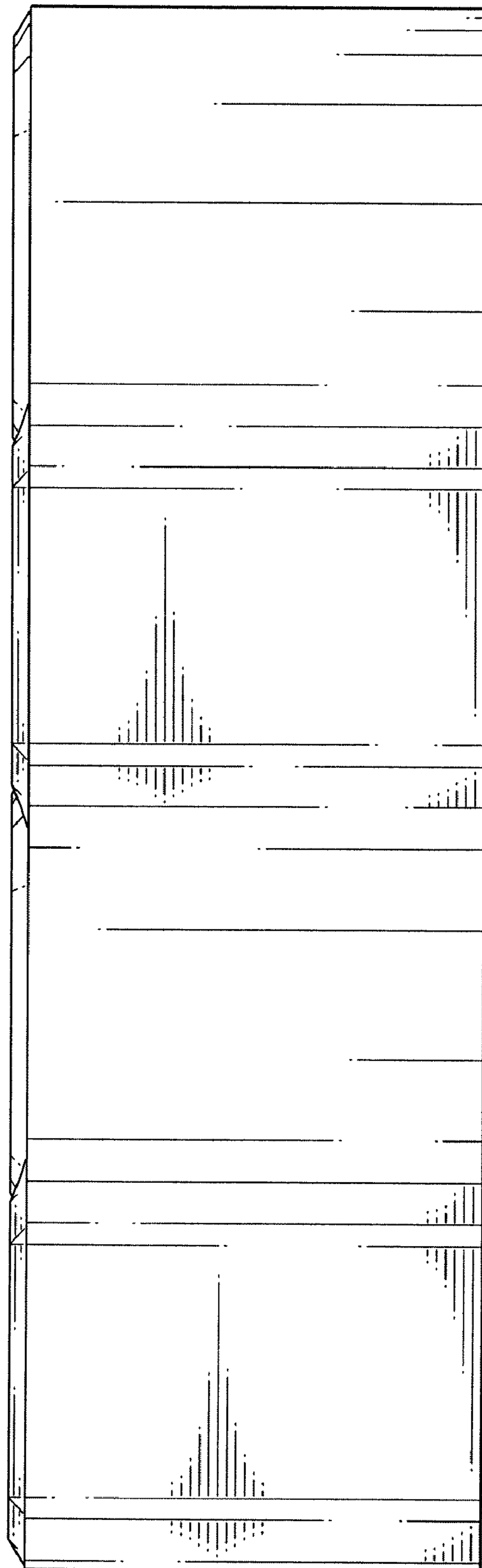


FIG. 3

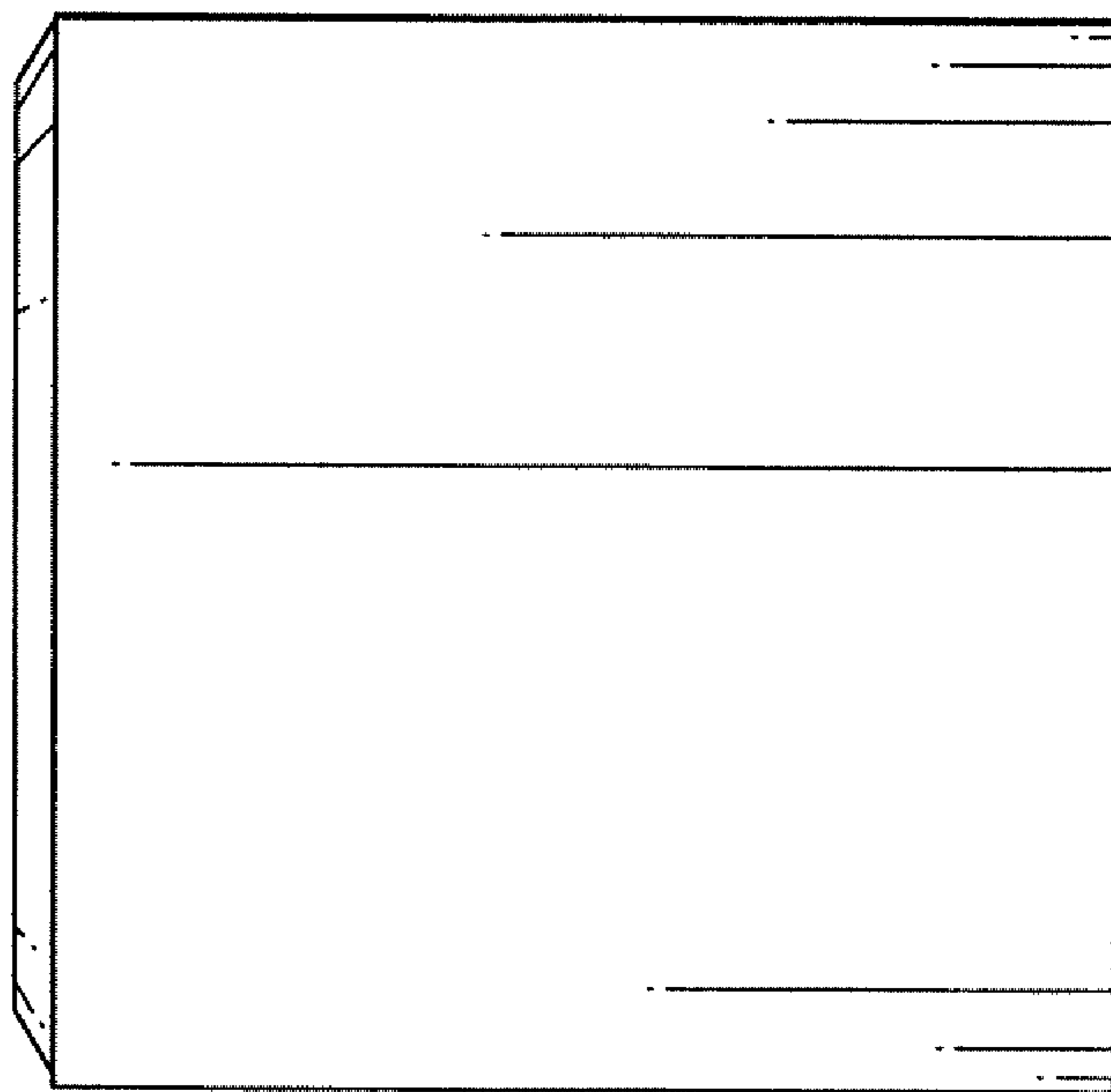


FIG. 5

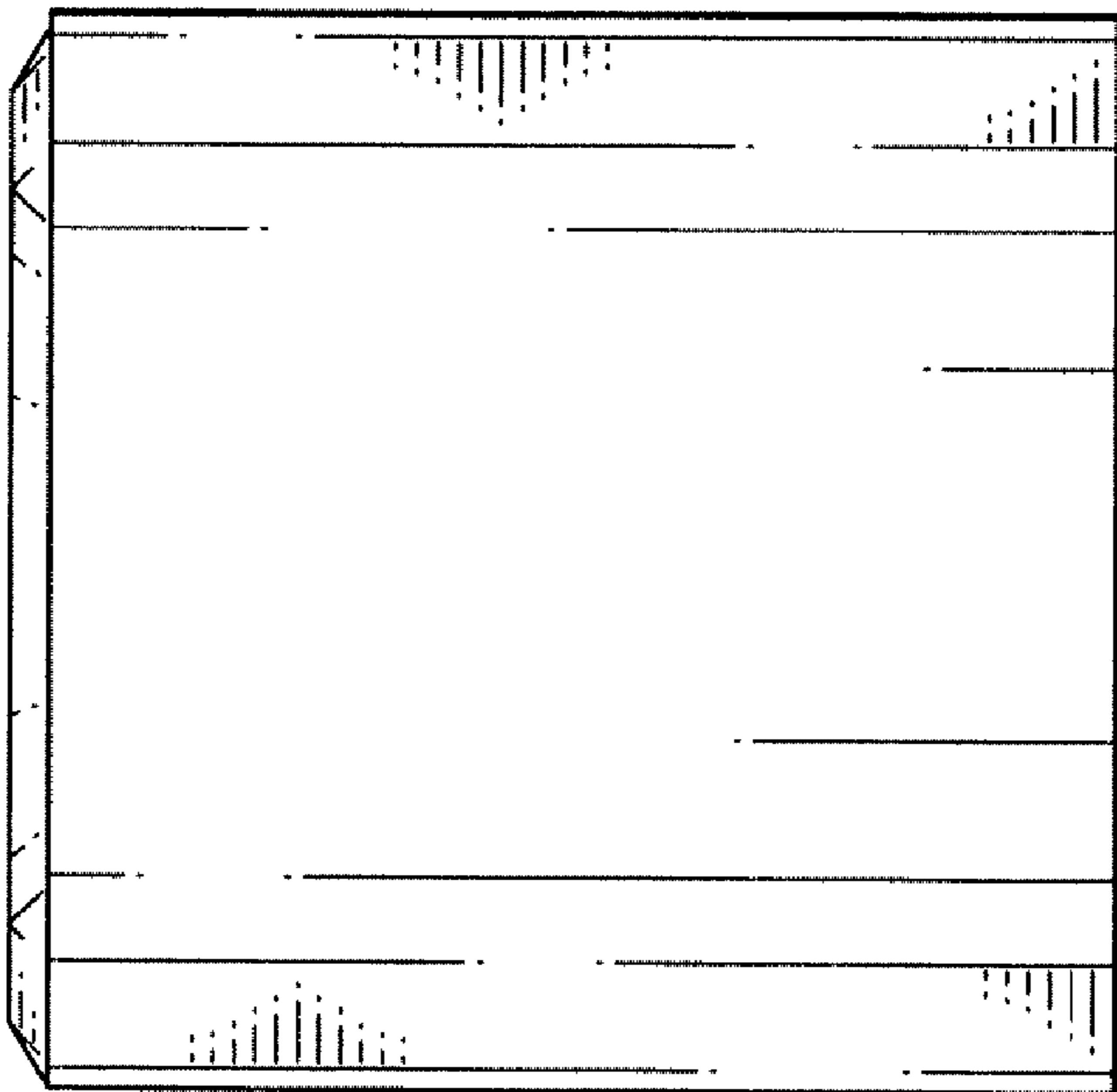


FIG. 4

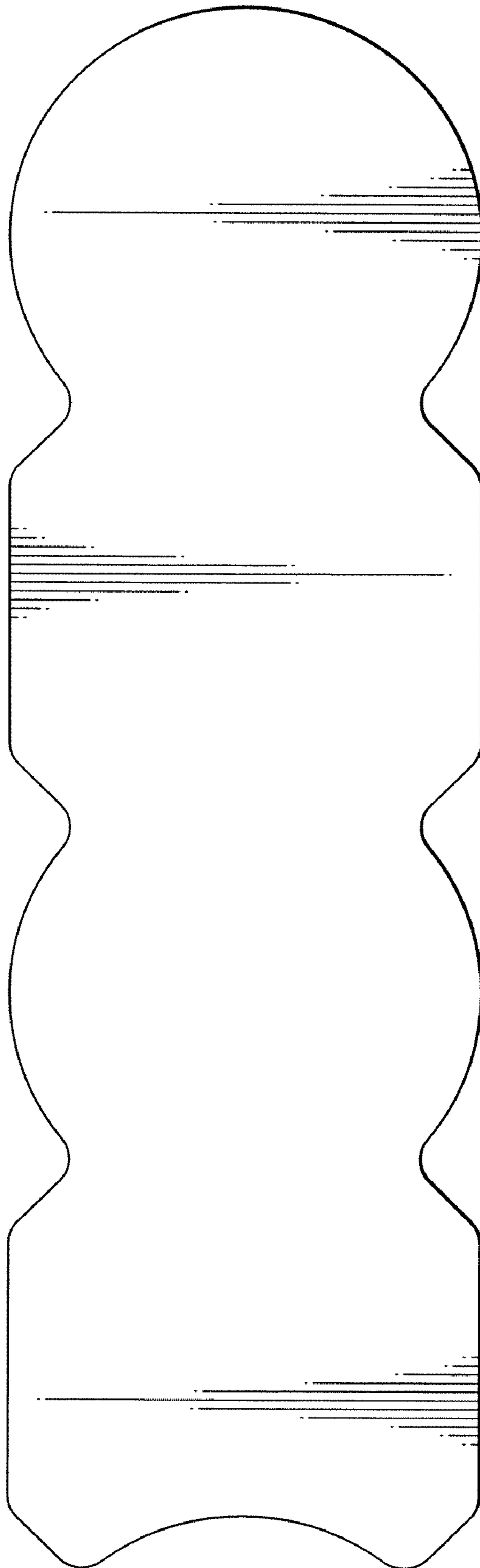


FIG. 6