



US00D657888S

(12) **United States Design Patent**
Darby

(10) **Patent No.:** **US D657,888 S**
(45) **Date of Patent:** **** Apr. 17, 2012**

(54) **GUARD RAIL**

(75) Inventor: **John Sydney Charles Darby**, Essex (GB)

(73) Assignee: **Youngman Group Limited** (GB)

(**) Term: **14 Years**

(21) Appl. No.: **29/406,687**

(22) Filed: **Nov. 17, 2011**

(51) **LOC (9) Cl.** **25-02**

(52) **U.S. Cl.** **D25/38**

(58) **Field of Classification Search** D25/38,
D25/50; 256/24, 25, 73; 182/27, 45, 40,
182/128, 187

See application file for complete search history.

(56) **References Cited**

U.S. PATENT DOCUMENTS

3,740,022	A *	6/1973	DiGiovanni	256/24
6,131,886	A *	10/2000	Venegas, Jr.	256/59
D502,550	S *	3/2005	Walker	D25/38
D552,751	S *	10/2007	Van Buskirk	D25/38
2007/0051934	A1 *	3/2007	LaCook	256/73
2011/0179744	A1 *	7/2011	Smith	52/745.05

FOREIGN PATENT DOCUMENTS

EP	1785548	5/2007
EP	2180117	4/2010
EP	2253778	11/2010

FR	2885927	11/2006
GB	2461782	1/2010
JP	2005090056	4/2005

* cited by examiner

Primary Examiner — Doris Clark

(74) *Attorney, Agent, or Firm* — Gottlieb, Rackman & Reisman, P.C.

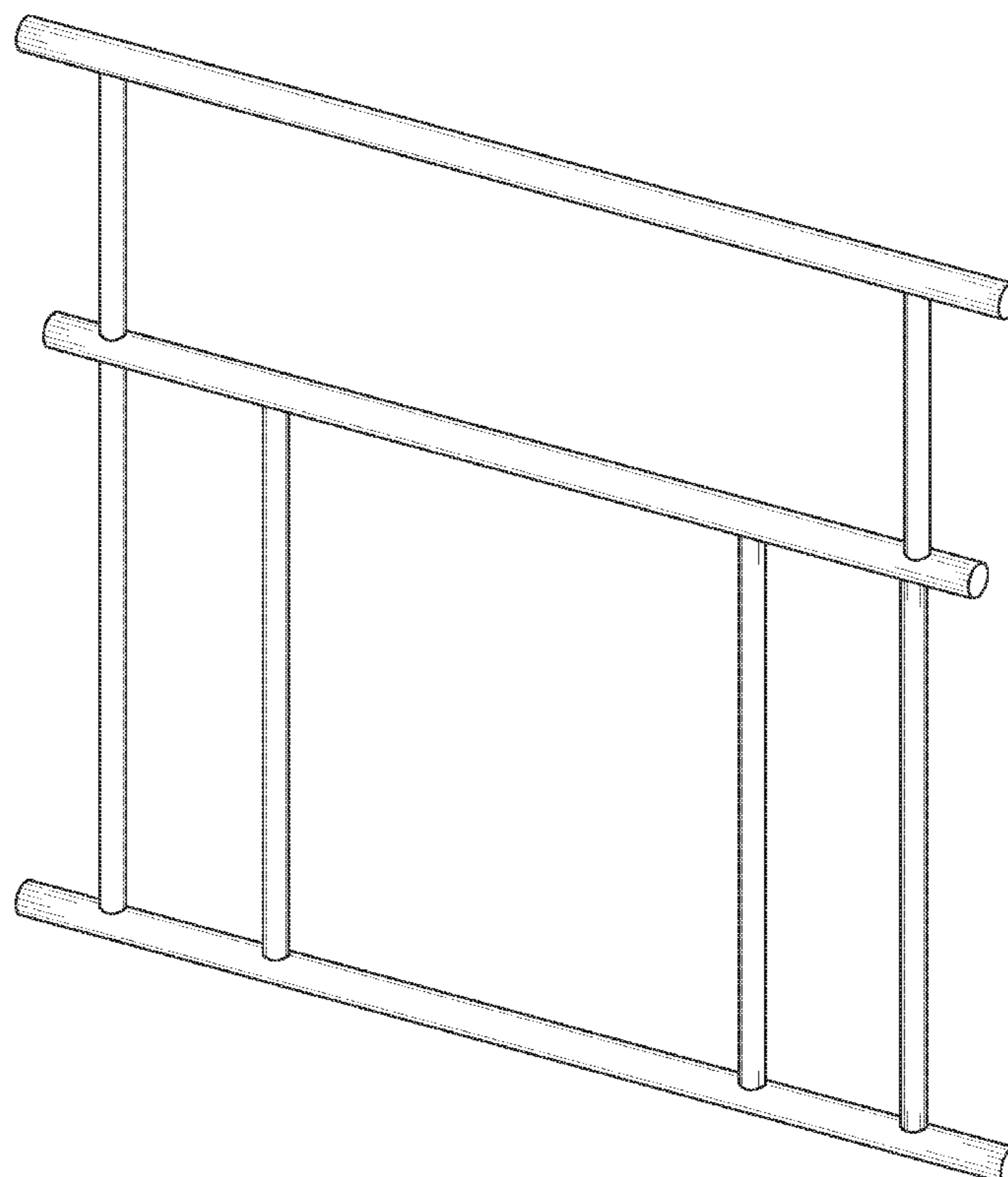
(57) **CLAIM**

The ornamental design for a guard rail, as shown and described.

DESCRIPTION

FIG. 1 is a top, front and left side perspective view of a first embodiment of a guard rail showing my new design;
 FIG. 2 is a top plan view thereof, the bottom plan view being a mirror image;
 FIG. 3 is a left side elevation view thereof, the right side elevation view being a mirror image;
 FIG. 4 is a front elevation view thereof, the rear elevation view being a mirror image;
 FIG. 5 is a top, front and left side perspective view of a second embodiment of a guard rail showing my new design;
 FIG. 6 is a top plan view thereof, the bottom plan view being a mirror image;
 FIG. 7 is a left side elevation view thereof, the right side elevation view being a mirror image; and,
 FIG. 8 is a front elevation view thereof, the rear elevation view being a mirror image.

1 Claim, 6 Drawing Sheets



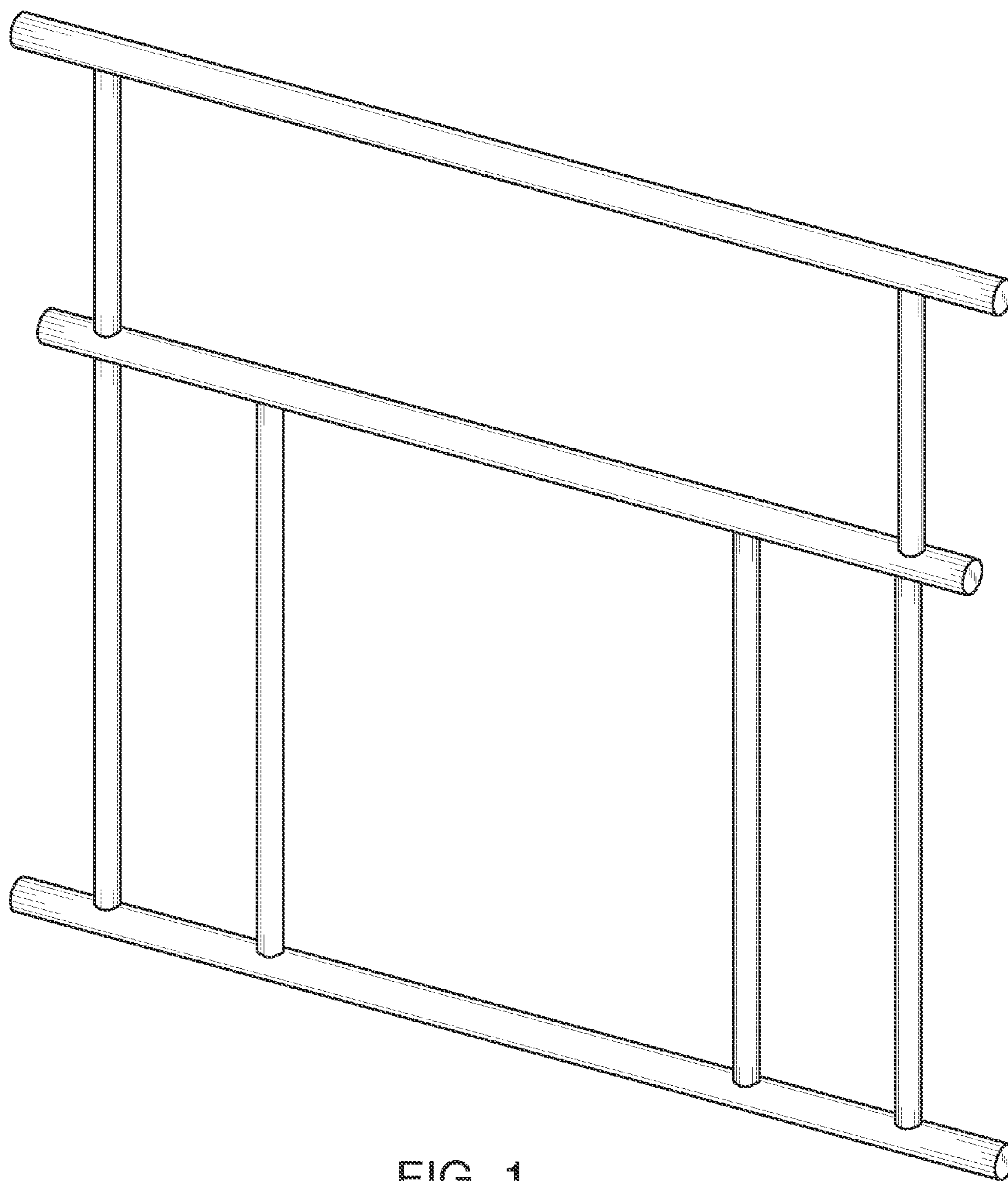


FIG. 1



FIG. 2

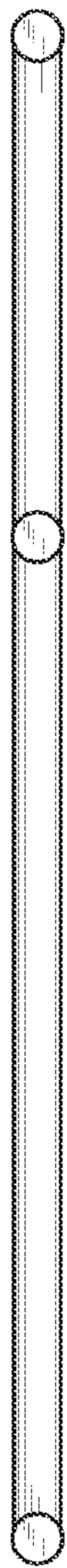


FIG. 3

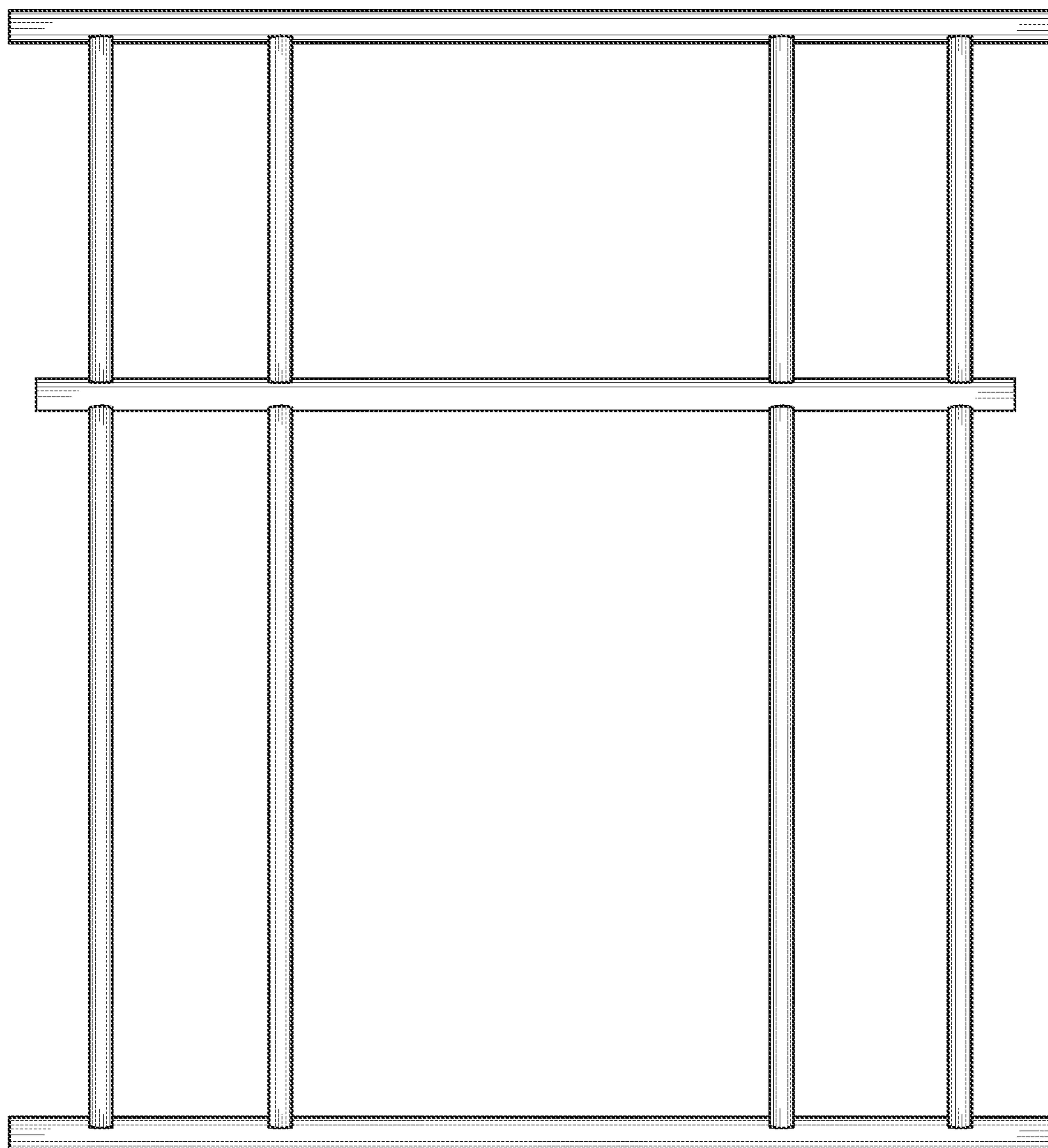


FIG. 4

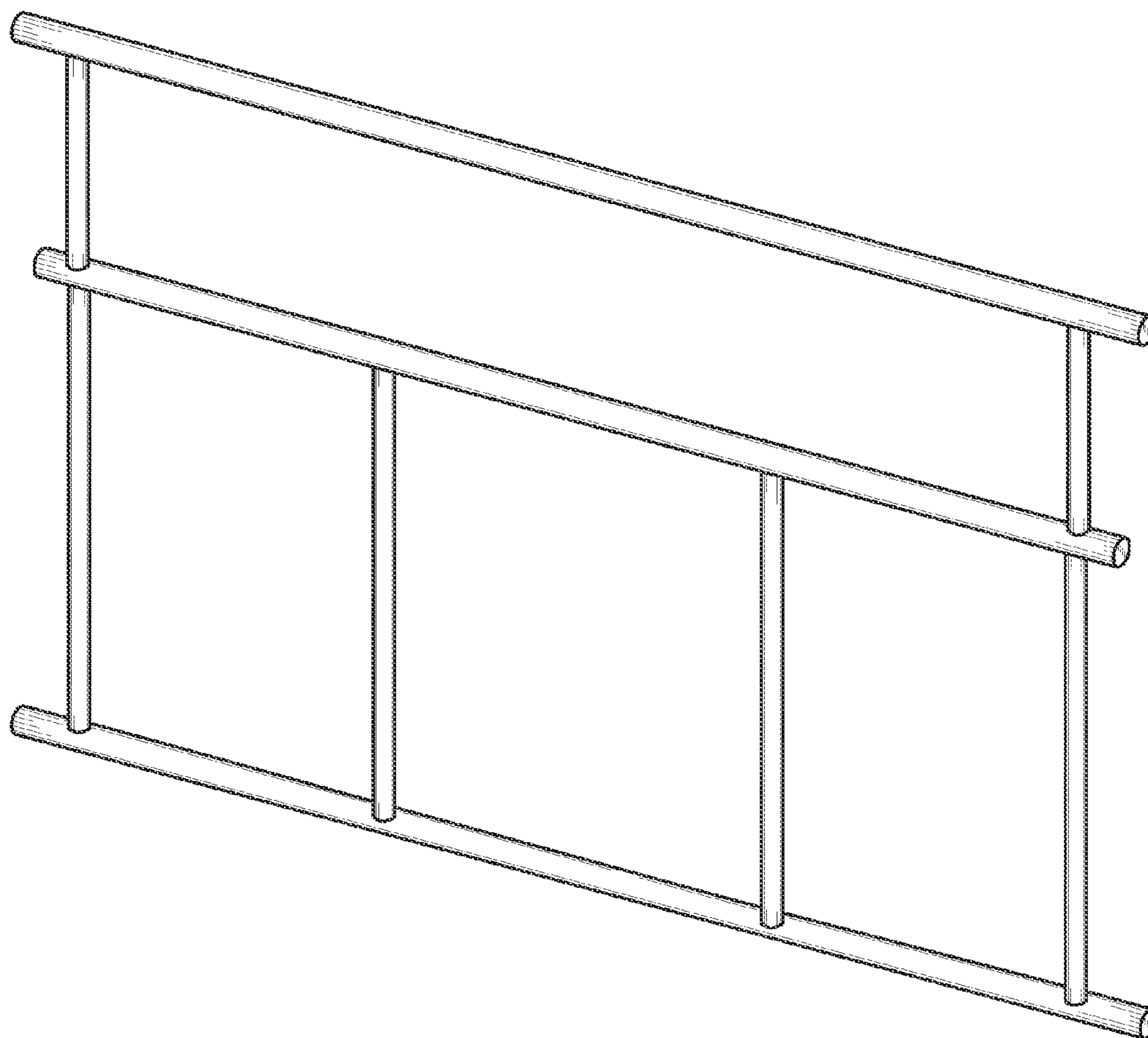


FIG. 5

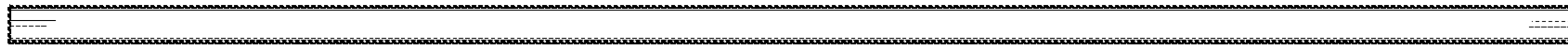


FIG. 6

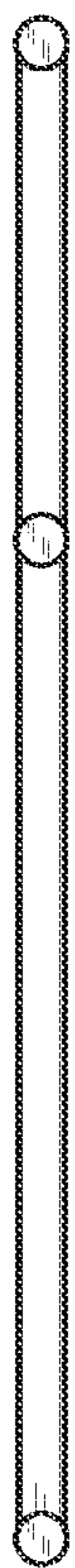


FIG. 7

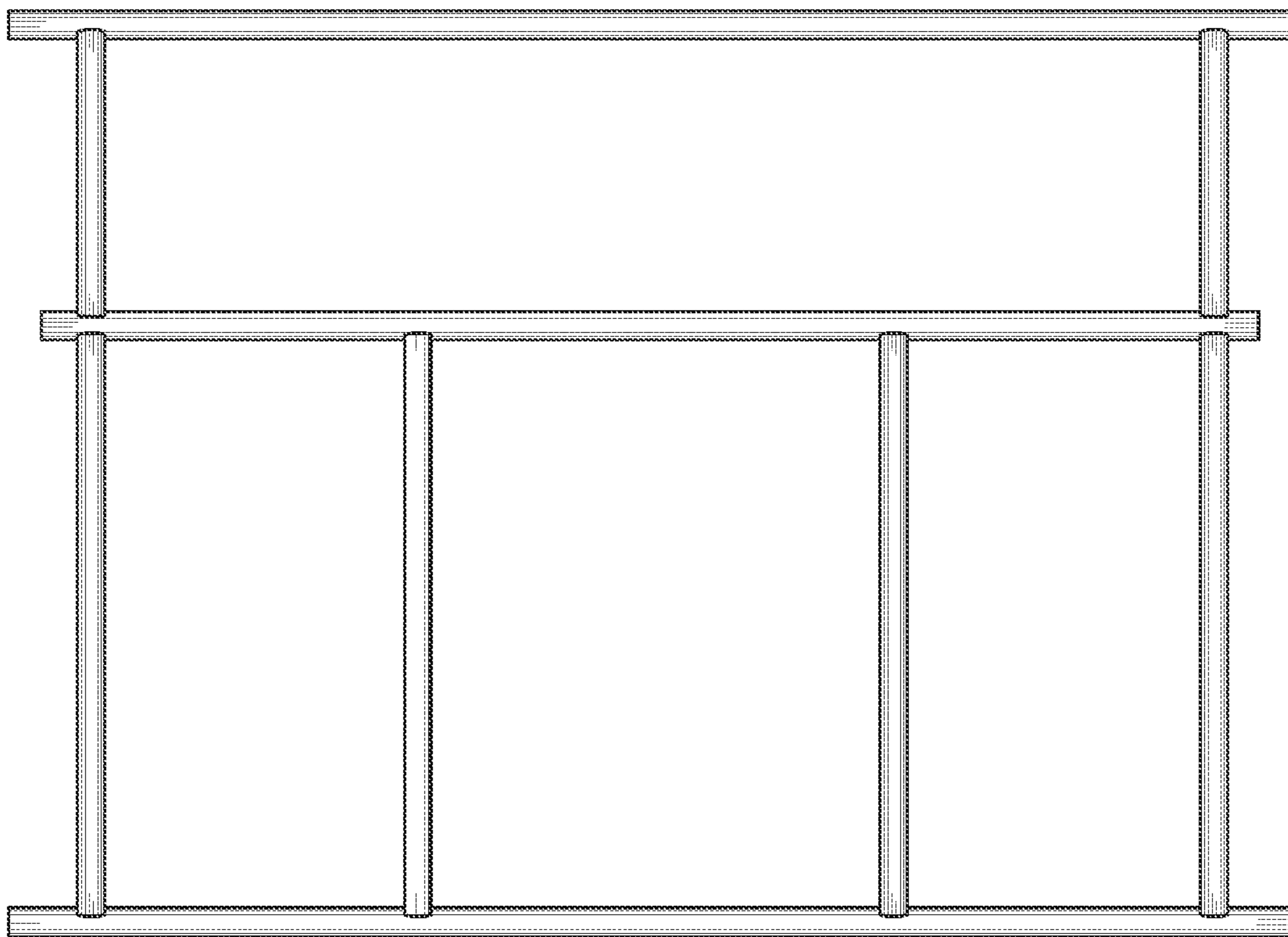


FIG. 8