



US00D657883S

(12) **United States Design Patent**  
**Larsen et al.**

(10) **Patent No.:** **US D657,883 S**  
(45) **Date of Patent:** **\*\* Apr. 17, 2012**

(54) **SPA SHELL**  
(75) Inventors: **Christopher Carl Larsen**, Vista, CA  
(US); **Sage Nathan Baker**, Cardiff, CA  
(US)

(73) Assignee: **Watkins Manufacturing Corporation**,  
Vista, CA (US)

(\*\*) Term: **14 Years**

(21) Appl. No.: **29/401,597**

(22) Filed: **Sep. 13, 2011**

(51) **LOC (9) Cl.** ..... **23-02**

(52) **U.S. Cl.** ..... **D24/204**

(58) **Field of Classification Search** ..... D24/201,  
D24/204, 205, 209; D23/277, 278, 276,  
D23/280.1-280.3; 601/154-158; 4/541.1-541.6,  
4/547, 578.1, 579; D25/2

See application file for complete search history.

D496,107 S 9/2004 Larsen  
D511,837 S \* 11/2005 Loyd ..... D24/204  
D512,780 S \* 12/2005 Loyd ..... D24/204  
D513,325 S \* 12/2005 Loyd ..... D24/204  
D517,697 S 3/2006 Larsen  
D518,181 S \* 3/2006 Loyd ..... D24/204  
D519,213 S \* 4/2006 Loyd ..... D24/204  
D521,154 S \* 5/2006 Loyd ..... D24/204  
D522,662 S \* 6/2006 Loyd ..... D24/204  
D527,828 S 9/2006 Larsen  
D528,663 S \* 9/2006 Loyd ..... D24/204  
D529,182 S \* 9/2006 Loyd ..... D24/204  
D531,731 S 11/2006 Larsen  
D542,416 S 5/2007 Larsen  
D542,925 S 5/2007 Larsen

(Continued)

*Primary Examiner* — David Muller

(74) *Attorney, Agent, or Firm* — Nirav D. Parikh; Lora J. Graentzdoerffer; Edgar A. Zarins

(57) **CLAIM**

The ornamental design for a spa shell, as shown and described.

(56) **References Cited**

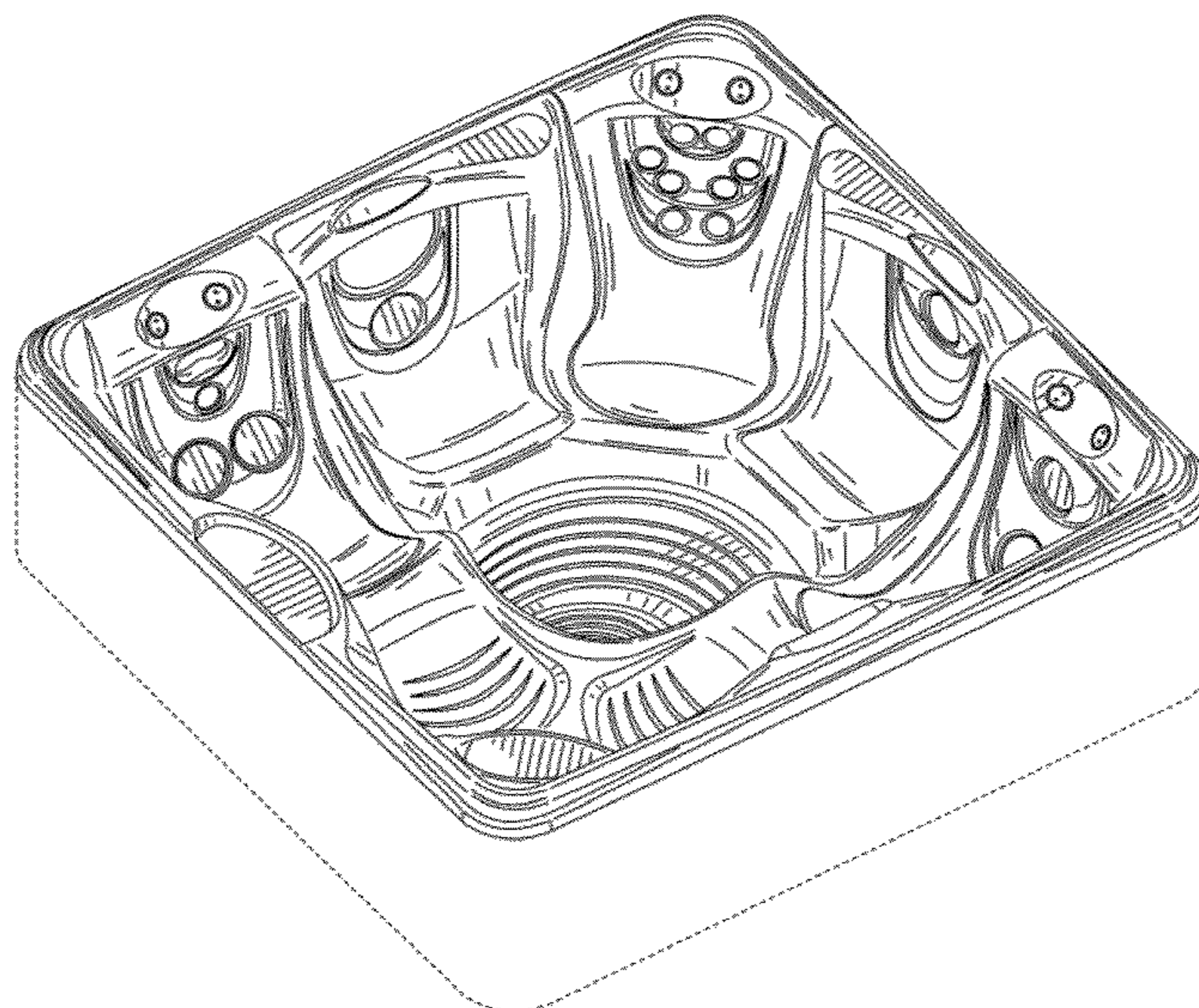
**U.S. PATENT DOCUMENTS**

D387,869 S 12/1997 Larsen  
D387,870 S 12/1997 Larsen  
D405,181 S 2/1999 Larsen  
D405,182 S 2/1999 Larsen  
D405,185 S 2/1999 Larsen  
D405,186 S 2/1999 Larsen  
D431,297 S 9/2000 Larsen et al.  
D436,178 S 1/2001 Larsen et al.  
D445,904 S 7/2001 Larsen  
D446,309 S 8/2001 Bower  
D446,310 S 8/2001 Bower  
D446,862 S 8/2001 Larsen et al.  
D463,028 S 9/2002 Bower  
D463,569 S 9/2002 Bower  
D465,576 S 11/2002 Larsen  
D476,422 S \* 6/2003 Collins et al. .... D24/204

**DESCRIPTION**

FIG. 1 is a perspective view of a spa shell showing our design;  
FIG. 2 is a perspective view thereof;  
FIG. 3 is a top plan view thereof;  
FIG. 4 is a cross-sectional view taken along 4-4 of FIG. 3;  
FIG. 5 is a cross-sectional view taken along 5-5 of FIG. 3;  
FIG. 6 is a cross-sectional view taken along 6-6 of FIG. 3;  
FIG. 7 is a cross-sectional view taken along 7-7 of FIG. 3;  
FIG. 8 is a cross-sectional view taken along 8-8 of FIG. 3;  
and,  
FIG. 9 is a cross-sectional view taken along 9-9 of FIG. 3.  
The broken-line disclosure in the views represents portions of the article in which the claimed design is embodied, but which form no part of the claimed design.

**1 Claim, 6 Drawing Sheets**



# US D657,883 S

Page 2

---

## U.S. PATENT DOCUMENTS

D543,282 S	5/2007	Larsen	
D543,283 S	5/2007	Larsen	
D550,371 S	9/2007	Larsen	
D565,190 S *	3/2008	Lenci .....	D24/204
D589,624 S	3/2009	Larsen	
D590,951 S	4/2009	Larsen	
D600,816 S	9/2009	Larsen	
D601,263 S	9/2009	Larsen	
D614,776 S *	4/2010	Loyd .....	D24/204
D616,104 S	5/2010	Larsen et al.	
D616,105 S	5/2010	Larsen et al.	
D616,106 S	5/2010	Larsen et al.	
D616,999 S	6/2010	Larsen et al.	
D620,599 S	7/2010	Larsen et al.	
D620,600 S	7/2010	Larsen et al.	
D621,946 S	8/2010	Larsen et al.	
D621,947 S	8/2010	Larsen et al.	
D624,657 S	9/2010	Larsen et al.	
D628,302 S	11/2010	Larsen et al.	
D634,019 S	3/2011	Larsen et al.	
D634,020 S	3/2011	Larsen et al.	
D634,021 S	3/2011	Larsen et al.	
D641,486 S	7/2011	Larsen et al.	
D641,487 S	7/2011	Larsen et al.	
D641,889 S	7/2011	Larsen et al.	
D644,335 S	8/2011	Larsen et al.	
D649,256 S *	11/2011	Larsen et al. ....	D24/204

\* cited by examiner



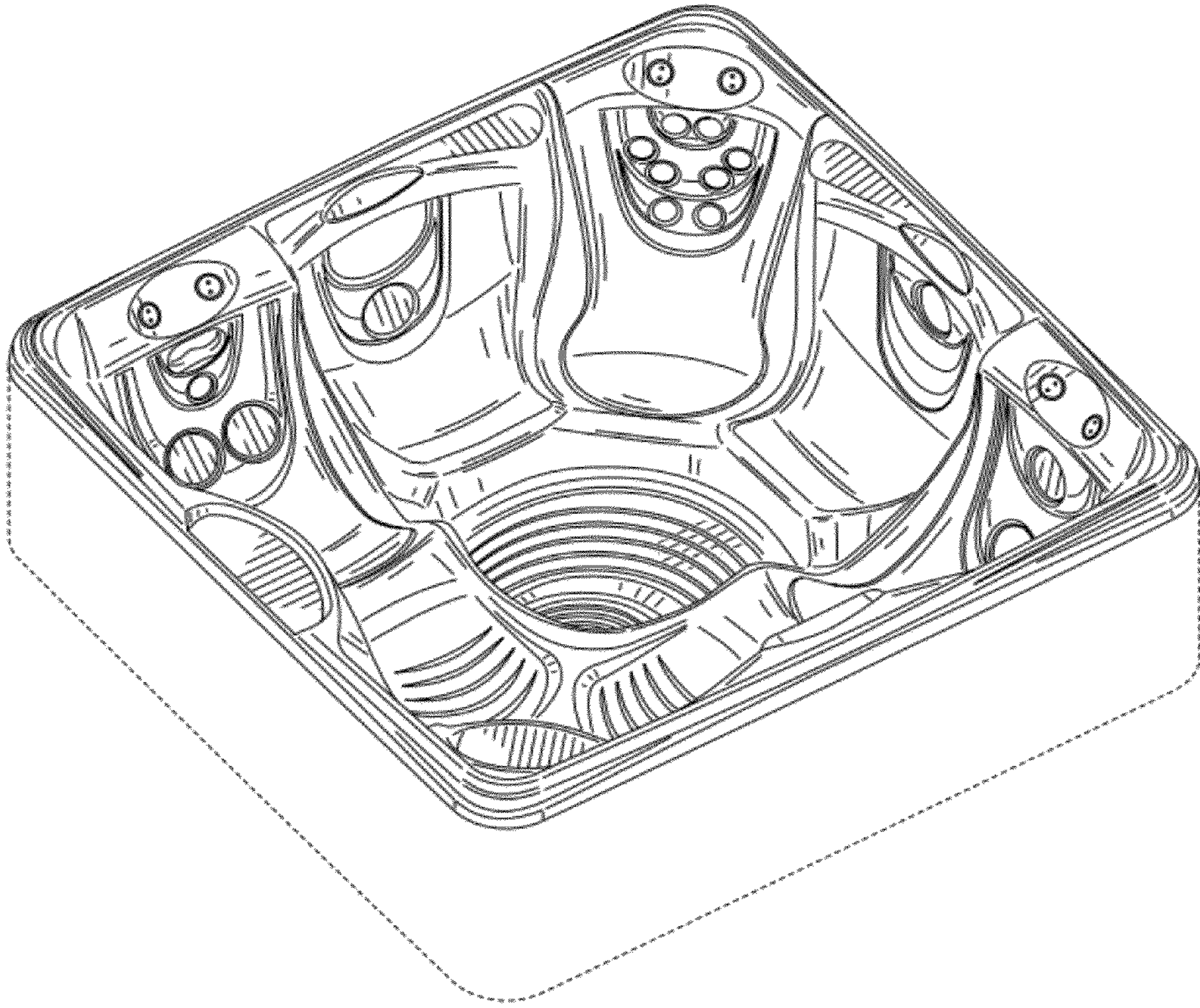


FIG. 1



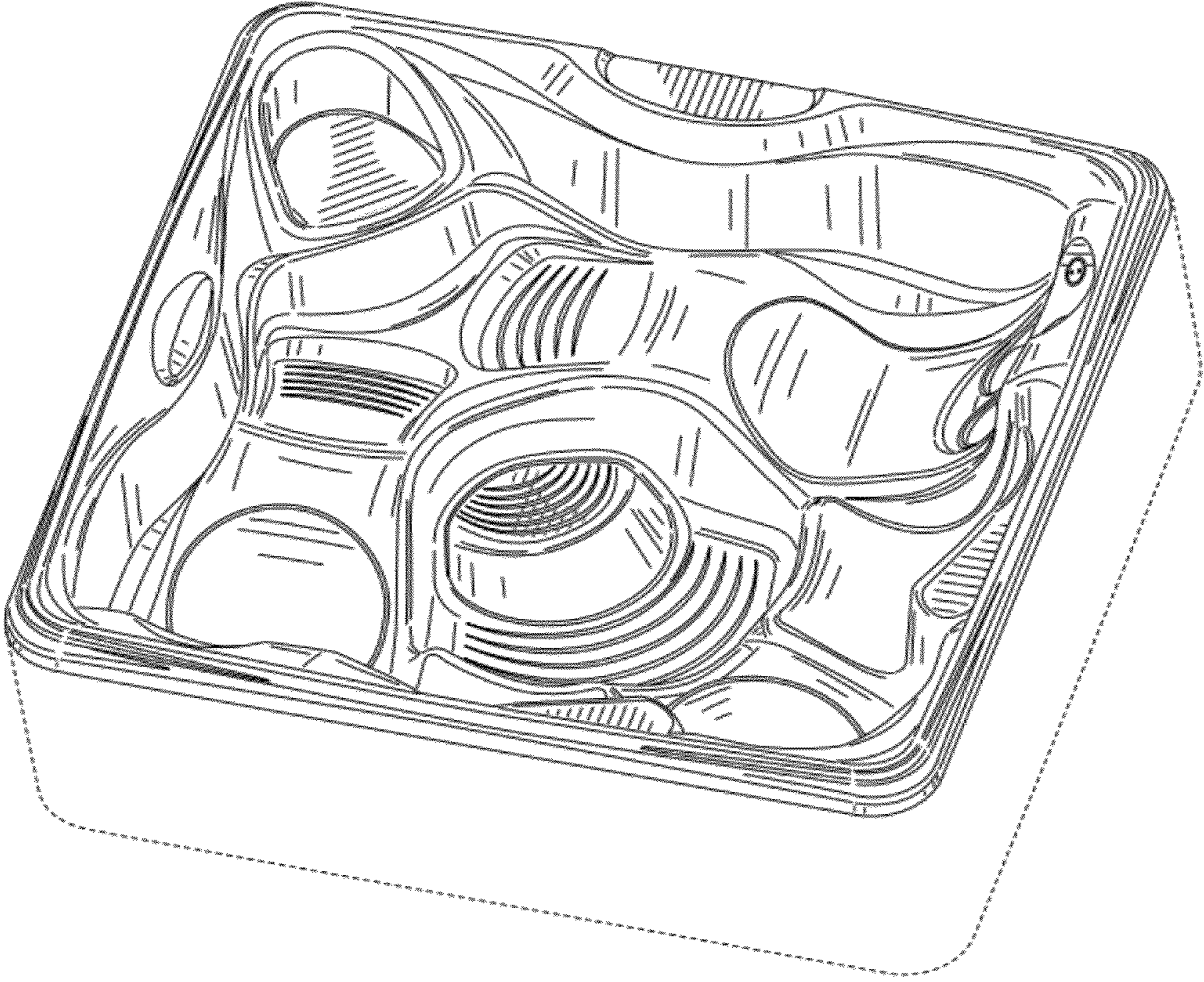


FIG. 2



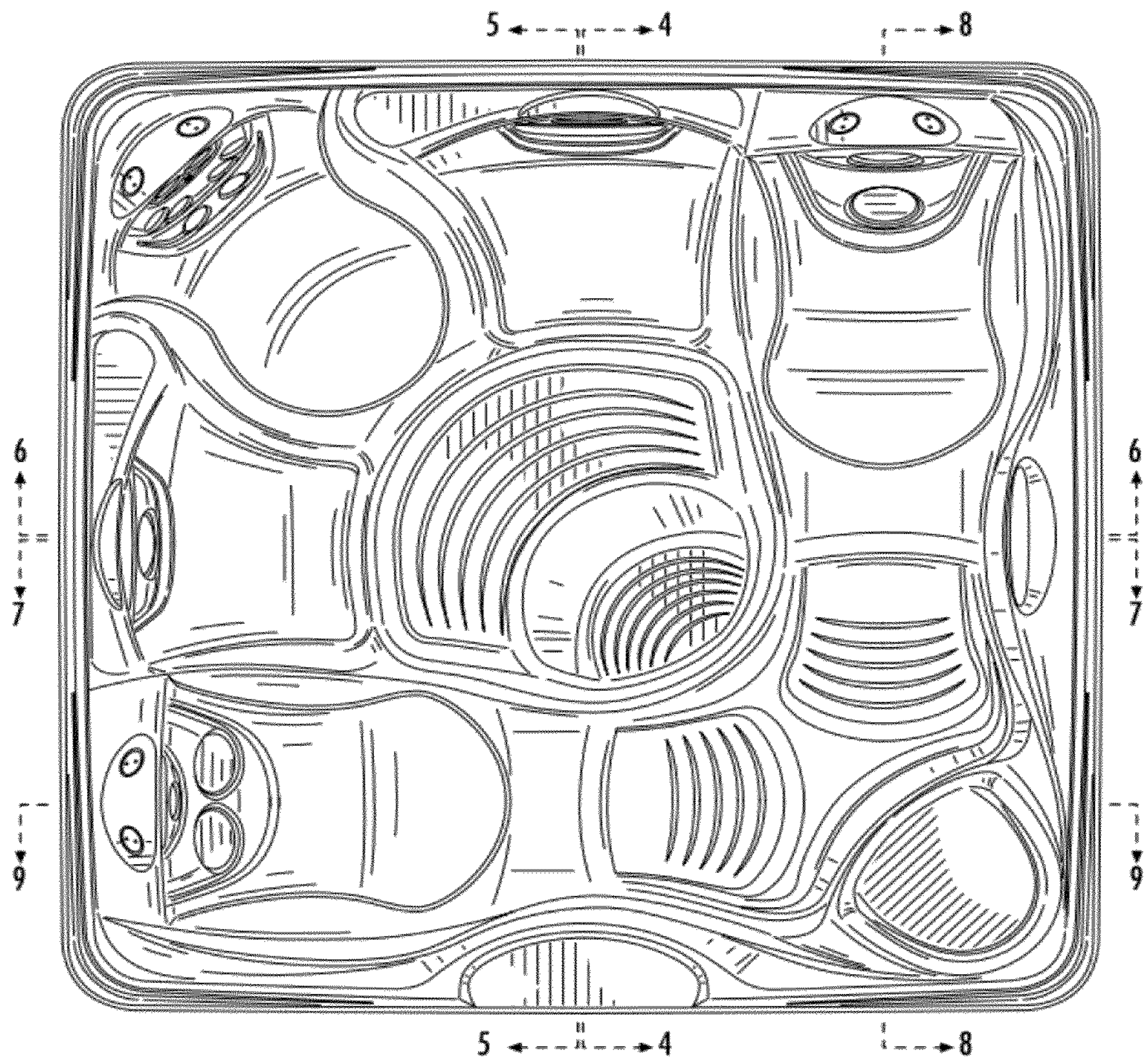


FIG. 3



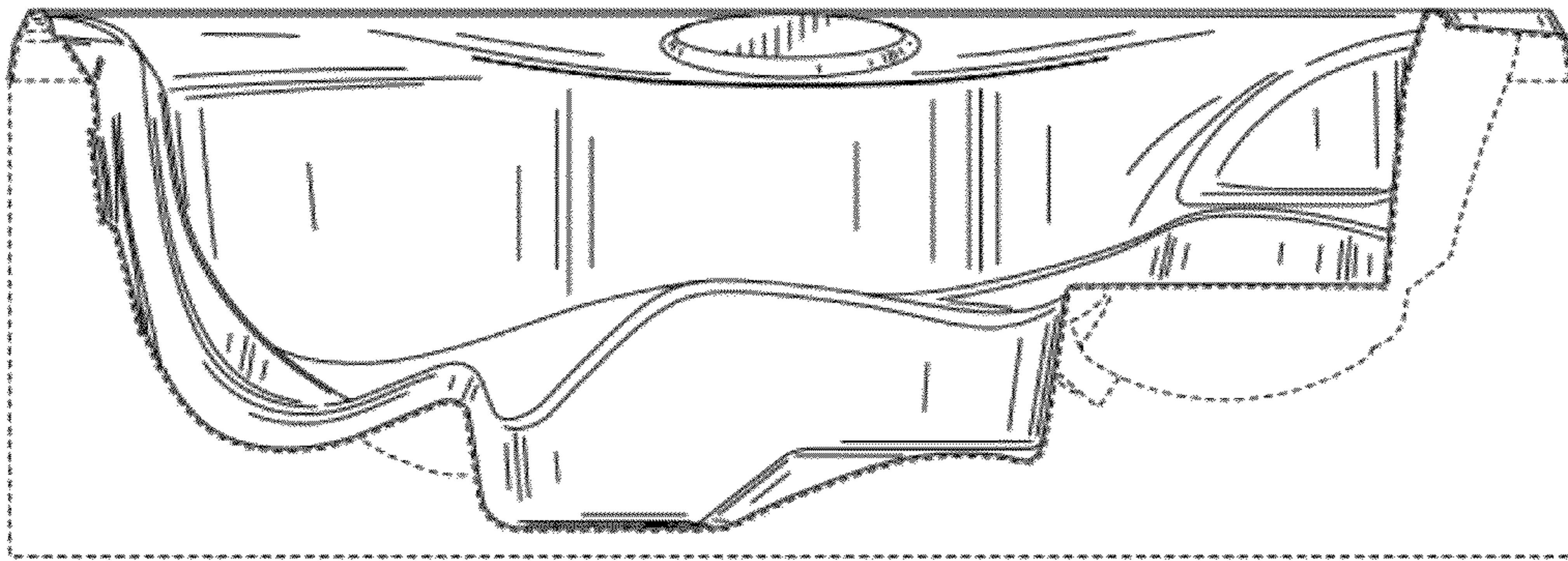


FIG. 4

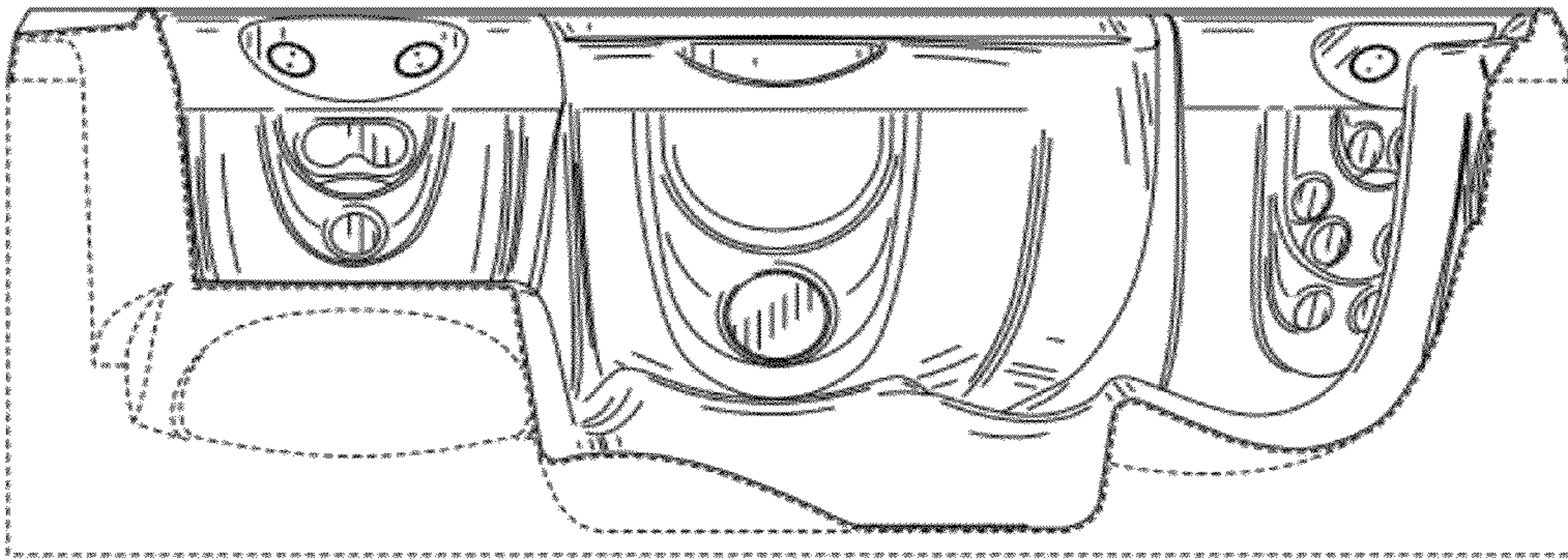


FIG. 5

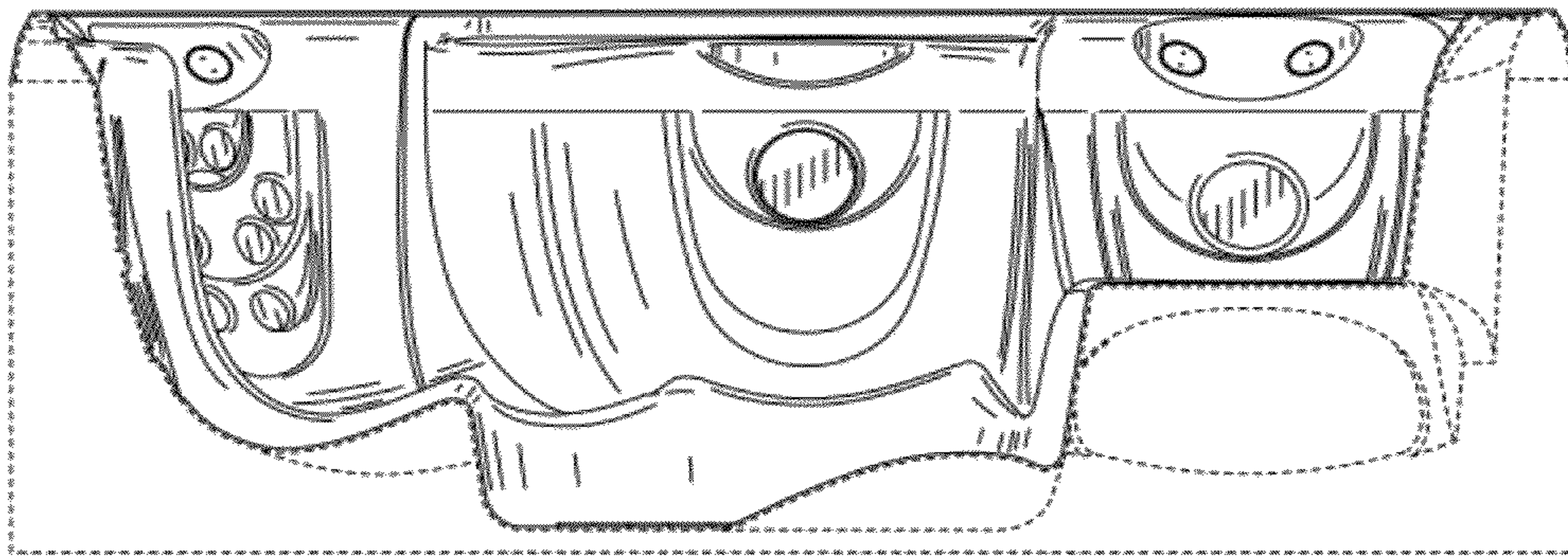


FIG. 6

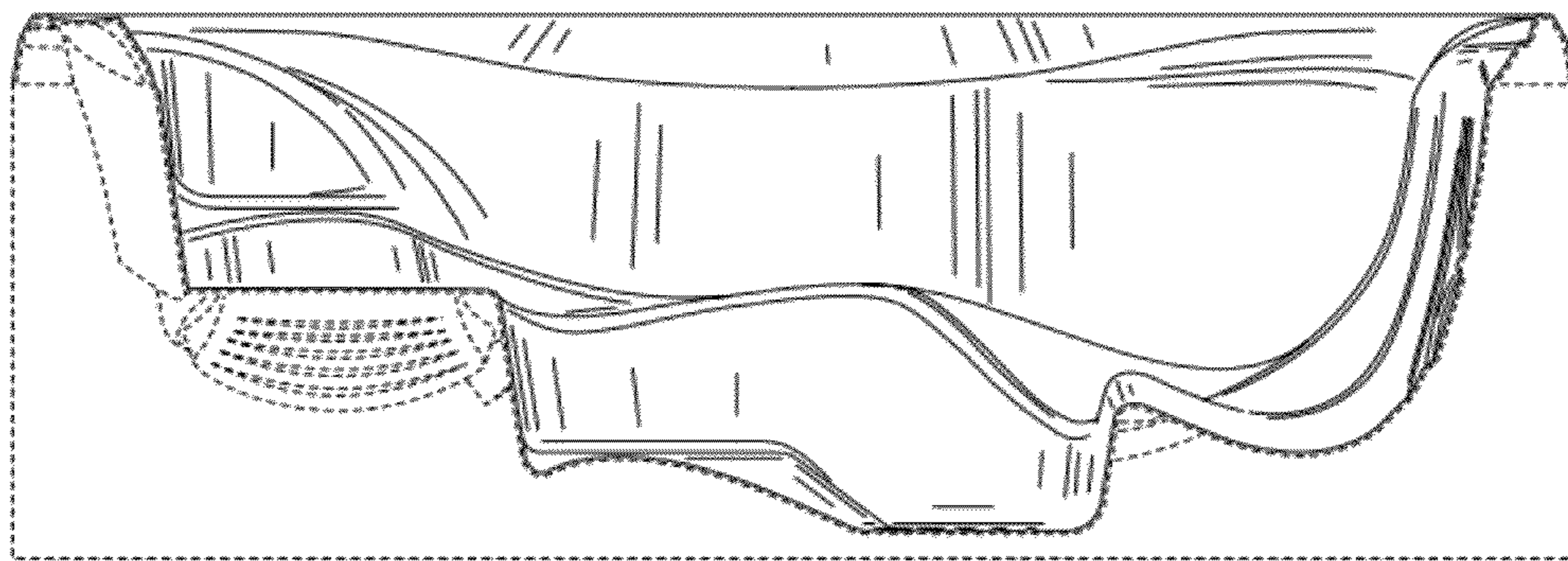


FIG. 7



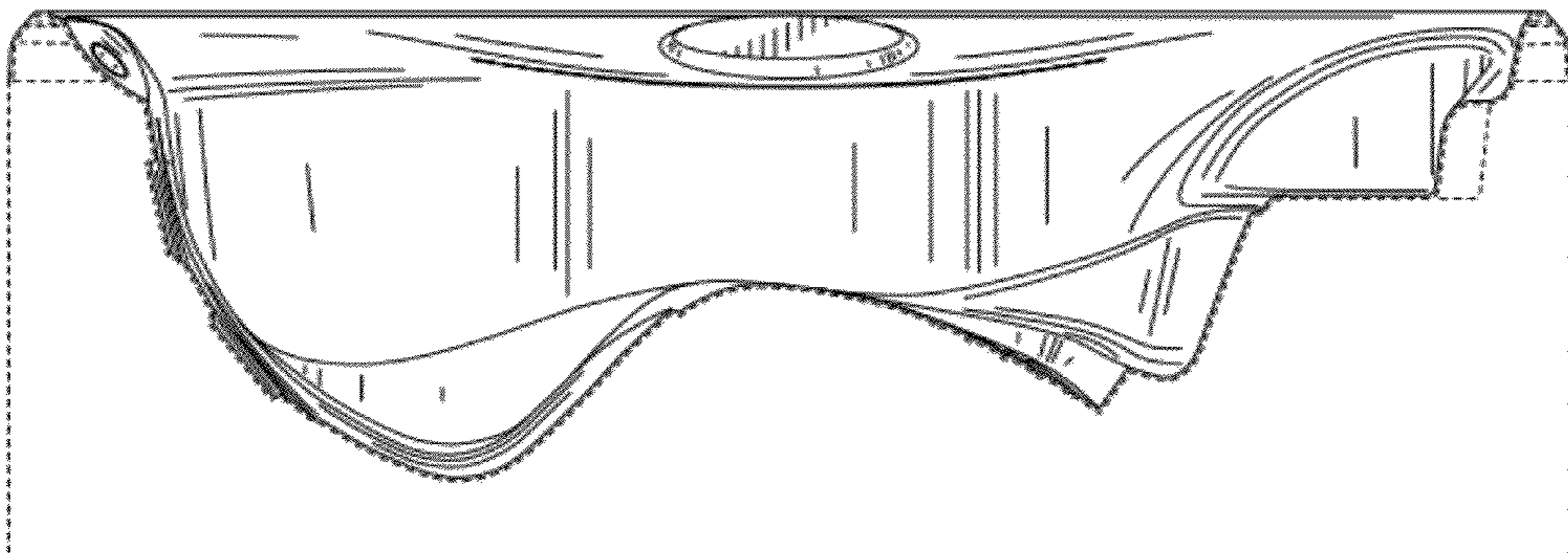


FIG. 8

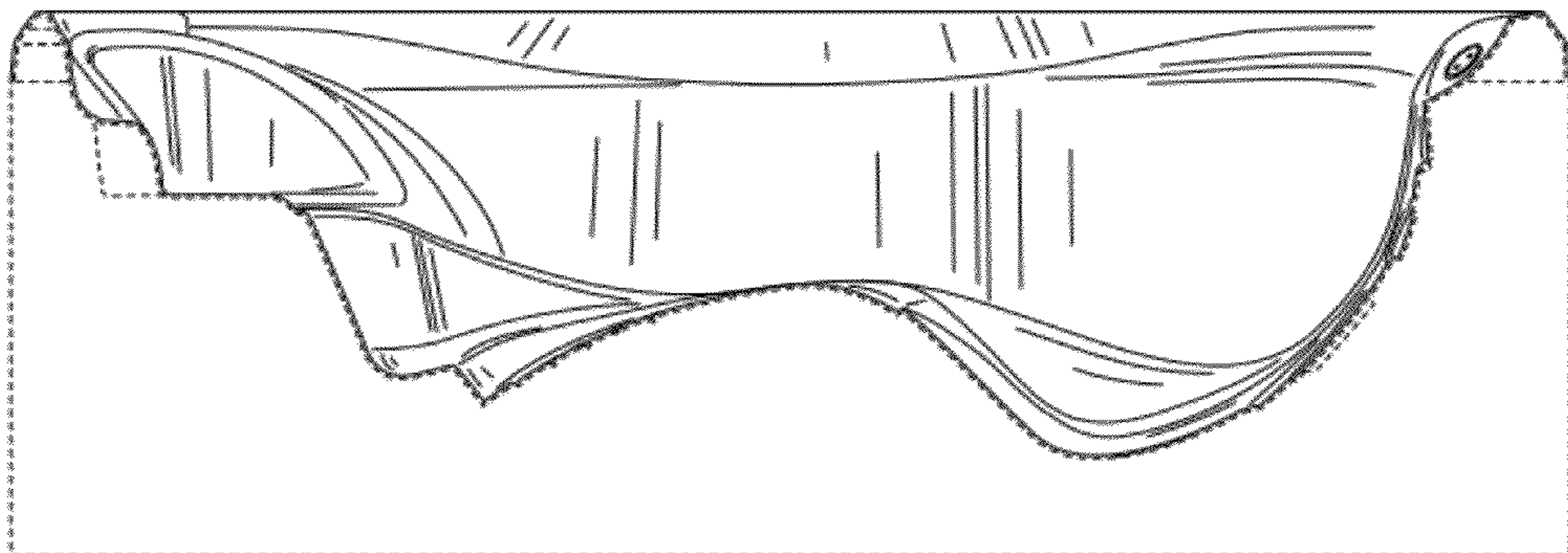


FIG. 9