



US00D657882S

(12) **United States Design Patent**
Larsen et al.

(10) **Patent No.:** **US D657,882 S**
(45) **Date of Patent:** **** Apr. 17, 2012**

(54) **SPA SHELL**

(75) Inventors: **Christopher Carl Larsen**, Vista, CA
(US); **Sage Nathan Baker**, Cardiff, CA
(US)

(73) Assignee: **Watkins Manufacturing Corporation**,
Vistas, CA (US)

(**) Term: **14 Years**

(21) Appl. No.: **29/401,596**

(22) Filed: **Sep. 13, 2011**

(51) **LOC (9) Cl.** **23-02**

(52) **U.S. Cl.** **D24/204**

(58) **Field of Classification Search** D24/201,
D24/204, 205, 209; D23/277, 278, 276,
D23/280.1-280.3; 601/154-158; 4/541.1-541.6,
4/547, 578.1, 579; D25/2

See application file for complete search history.

(56) **References Cited**

U.S. PATENT DOCUMENTS

D387,869 S	12/1997	Larsen	
D387,870 S	12/1997	Larsen	
D405,181 S	2/1999	Larsen	
D405,182 S	2/1999	Larsen	
D405,185 S	2/1999	Larsen	
D405,186 S	2/1999	Larsen	
D431,297 S	9/2000	Larsen et al.	
D436,178 S	1/2001	Larsen et al.	
D445,904 S	7/2001	Larsen	
D446,309 S	8/2001	Bower	
D446,310 S	8/2001	Bower	
D446,862 S	8/2001	Larsen et al.	
D463,028 S	9/2002	Bower	
D463,569 S	9/2002	Bower	
D465,576 S	11/2002	Larsen	
D476,422 S *	6/2003	Collins et al.	D24/204

D496,107 S	9/2004	Larsen	
D511,837 S *	11/2005	Loyd	D24/204
D512,780 S *	12/2005	Loyd	D24/204
D513,325 S *	12/2005	Loyd	D24/204
D517,697 S	3/2006	Larsen	
D518,181 S *	3/2006	Loyd	D24/204
D519,213 S *	4/2006	Loyd	D24/204
D521,154 S *	5/2006	Loyd	D24/204
D522,662 S *	6/2006	Loyd	D24/204
D527,828 S	9/2006	Larsen	
D528,663 S *	9/2006	Loyd	D24/204

(Continued)

Primary Examiner — David Muller

(74) *Attorney, Agent, or Firm* — Nirav D. Parikh; Lora J. Graentzdoerffer; Edgar A. Zarins

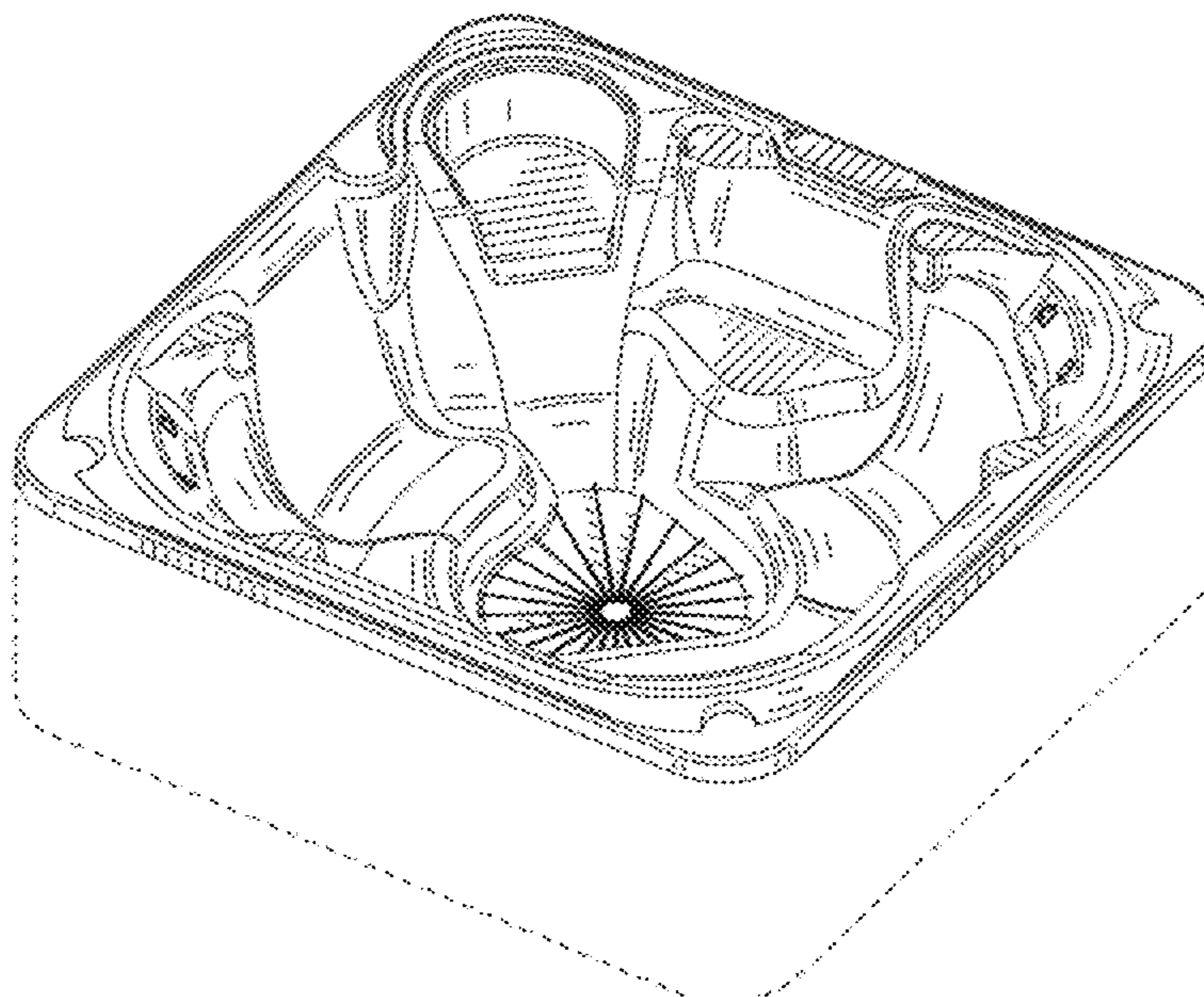
(57) **CLAIM**

The ornamental design for a spa shell, as shown and described.

DESCRIPTION

FIG. 1 is a perspective view of a spa shell showing our design; FIG. 2 is a perspective view thereof; FIG. 3 is a top plan view thereof; FIG. 4 is a cross-sectional view taken along 4-4 of FIG. 3; FIG. 5 is a cross-sectional view taken along 5-5 of FIG. 3; FIG. 6 is a cross-sectional view taken along 6-6 of FIG. 3; FIG. 7 is a cross-sectional view taken along 7-7 of FIG. 3; FIG. 8 is a cross-sectional view taken along 8-8 of FIG. 3; FIG. 9 is a cross-sectional view taken along 9-9 of FIG. 3; FIG. 10 is a cross-sectional view taken along 10-10 of FIG. 3; and, FIG. 11 is a cross-sectional view taken along 11-11 of FIG. 3. The broken-line disclosure in the views represents portions of the article in which the claimed design is embodied, but which form no part of the claimed design.

1 Claim, 9 Drawing Sheets



US D657,882 S

Page 2

U.S. PATENT DOCUMENTS

D529,182 S *	9/2006	Loyd	D24/204	D616,999 S	6/2010	Larsen et al.	
D531,731 S	11/2006	Larsen		D620,599 S	7/2010	Larsen et al.	
D542,416 S	5/2007	Larsen		D620,600 S	7/2010	Larsen et al.	
D542,925 S	5/2007	Larsen		D621,946 S	8/2010	Larsen et al.	
D543,282 S	5/2007	Larsen		D621,947 S	8/2010	Larsen et al.	
D543,283 S	5/2007	Larsen		D624,657 S	9/2010	Larsen et al.	
D550,371 S	9/2007	Larsen		D628,302 S	11/2010	Larsen et al.	
D565,190 S *	3/2008	Lenci	D24/204	D634,019 S	3/2011	Larsen et al.	
D589,624 S	3/2009	Larsen		D634,020 S	3/2011	Larsen et al.	
D590,951 S	4/2009	Larsen		D634,021 S	3/2011	Larsen et al.	
D600,816 S	9/2009	Larsen		D641,486 S	7/2011	Larsen et al.	
D601,263 S	9/2009	Larsen		D641,487 S	7/2011	Larsen et al.	
D614,776 S *	4/2010	Loyd	D24/204	D641,889 S	7/2011	Larsen et al.	
D616,104 S	5/2010	Larsen et al.		D644,335 S	8/2011	Larsen et al.	
D616,105 S	5/2010	Larsen et al.		D649,256 S *	11/2011	Larsen et al.	D24/204
D616,106 S	5/2010	Larsen et al.					

* cited by examiner

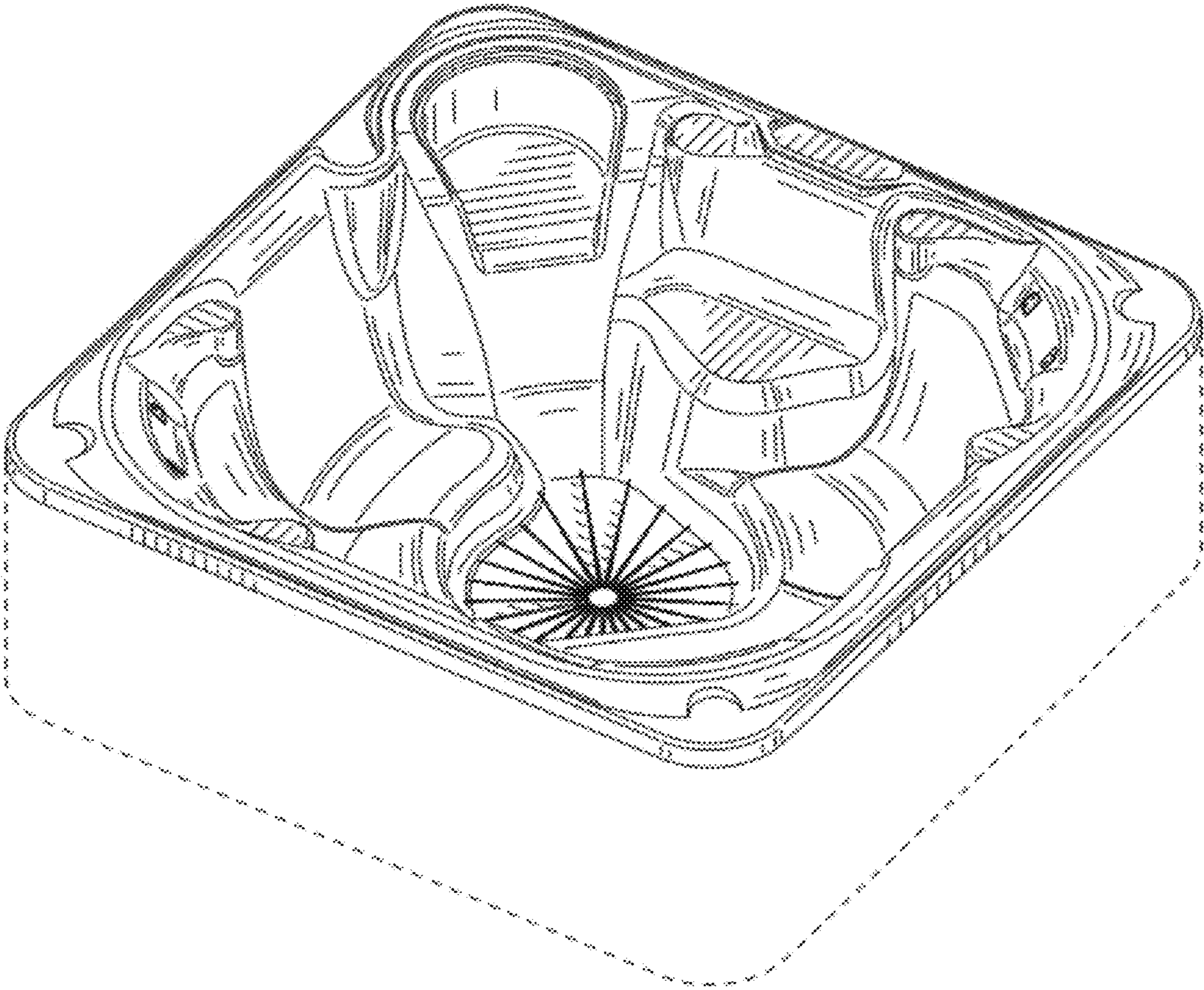


FIG. 1

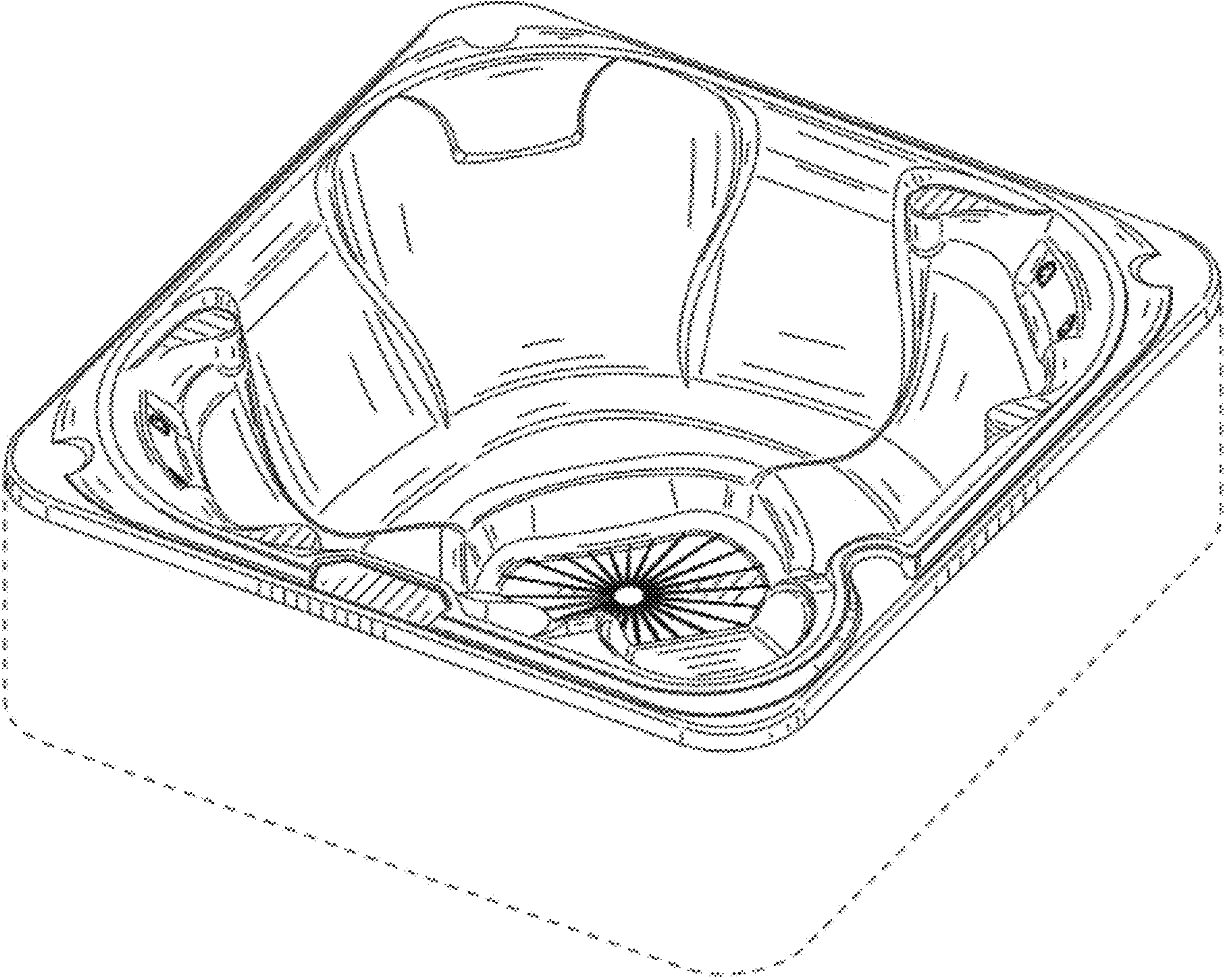


FIG. 2

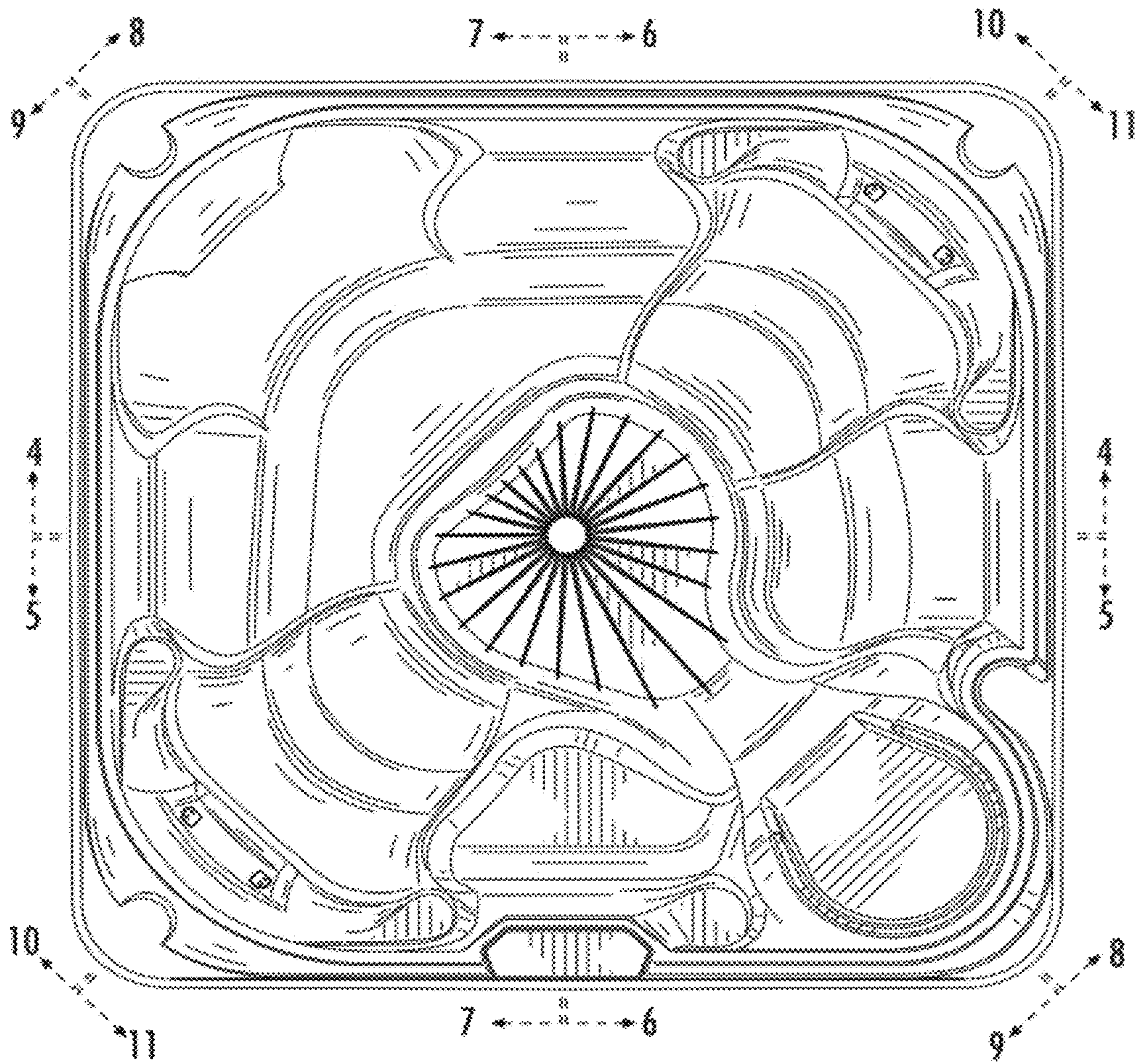


FIG. 3

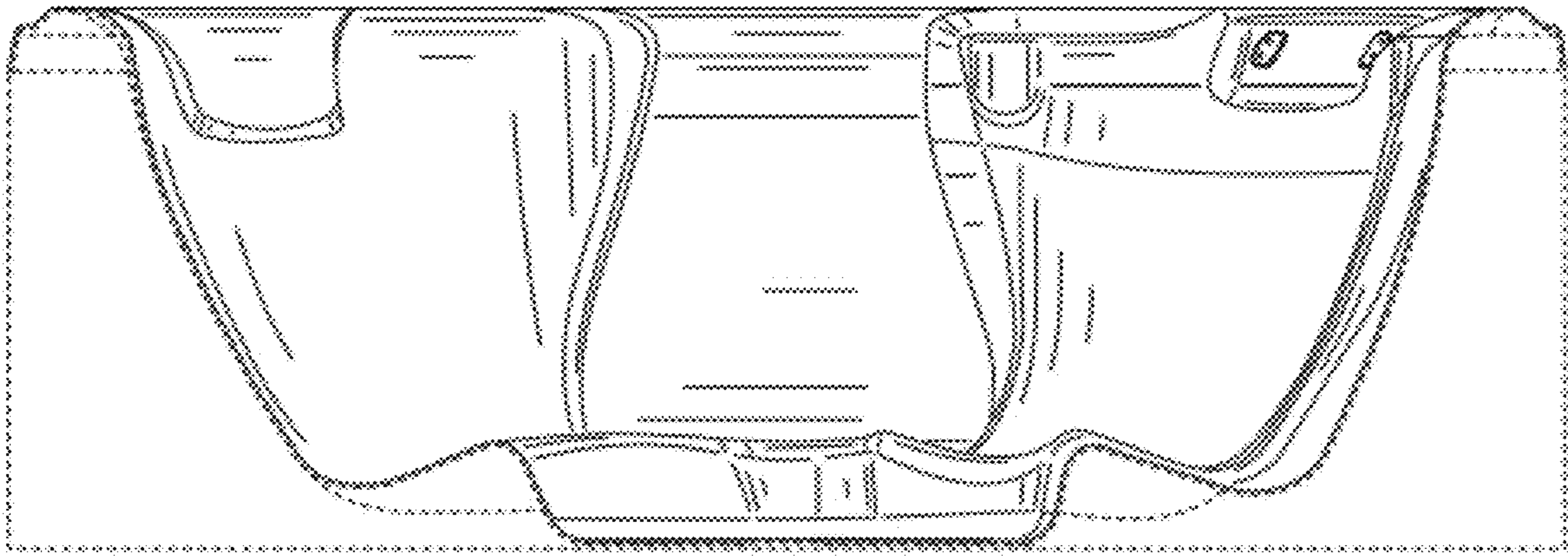


FIG. 4

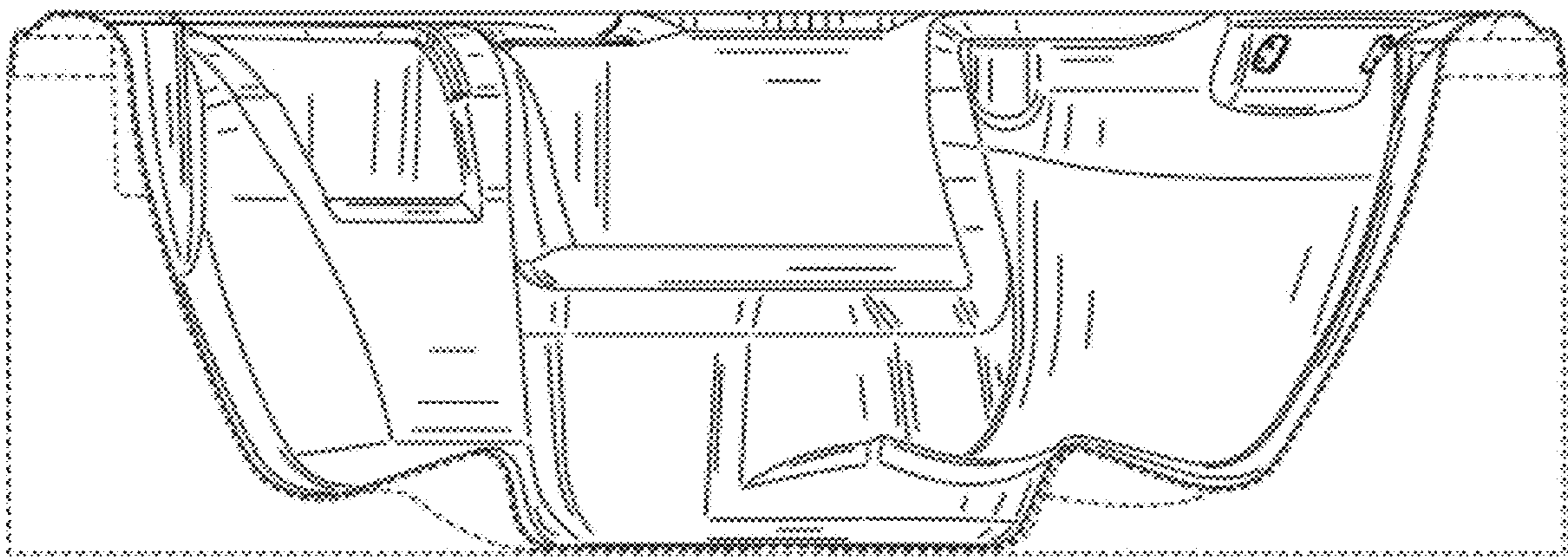


FIG. 5

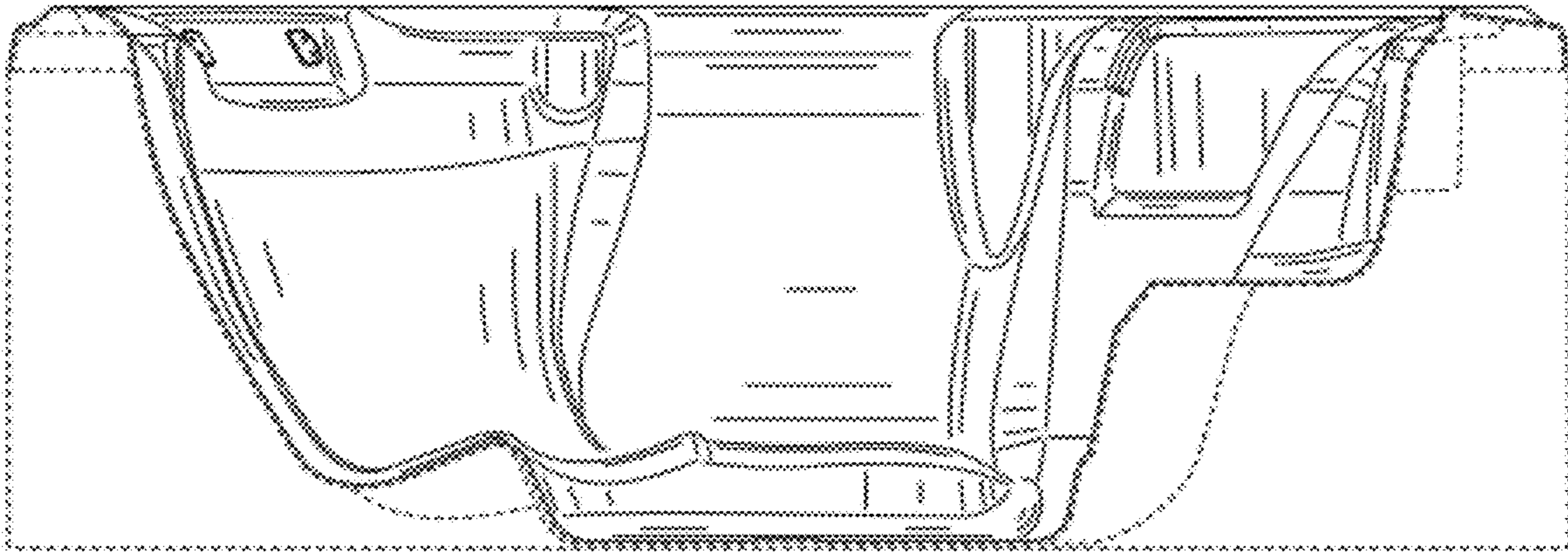


FIG. 6

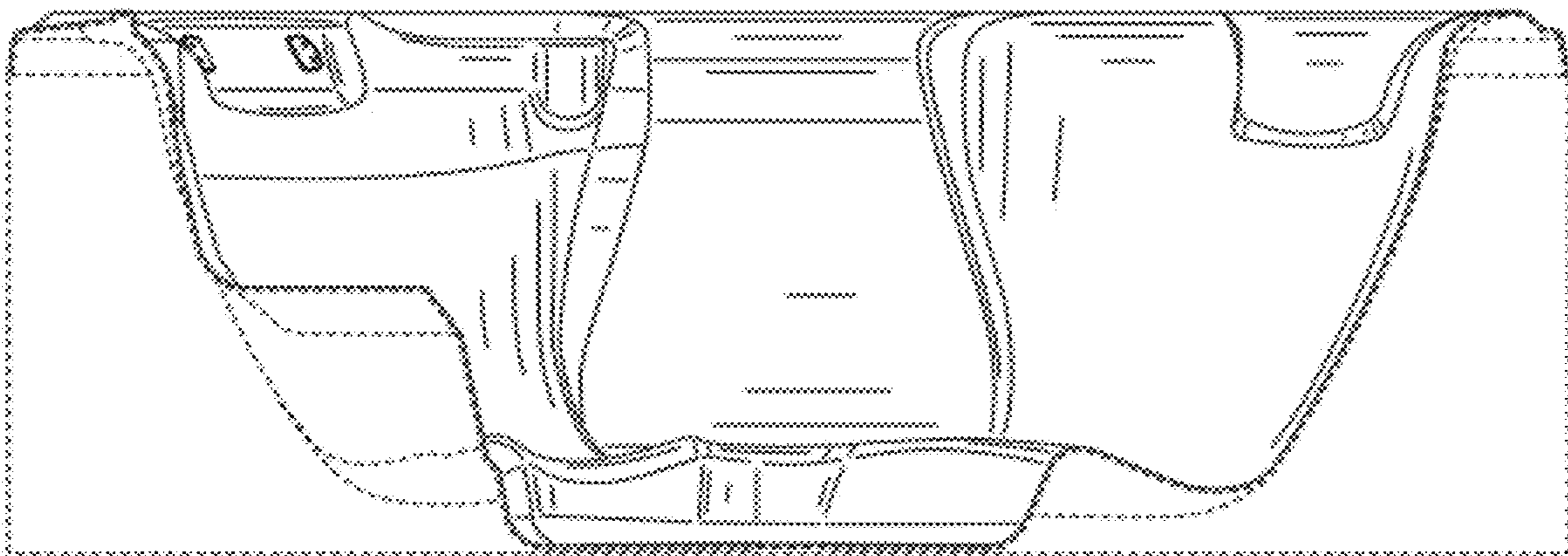


FIG. 7

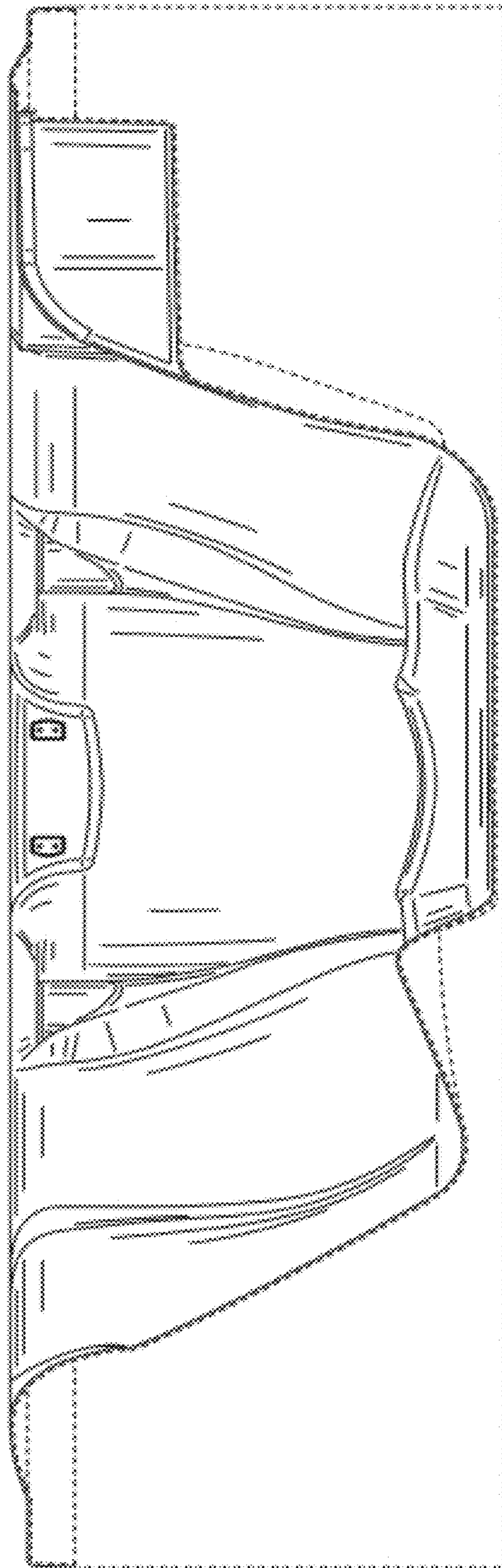


FIG. 8

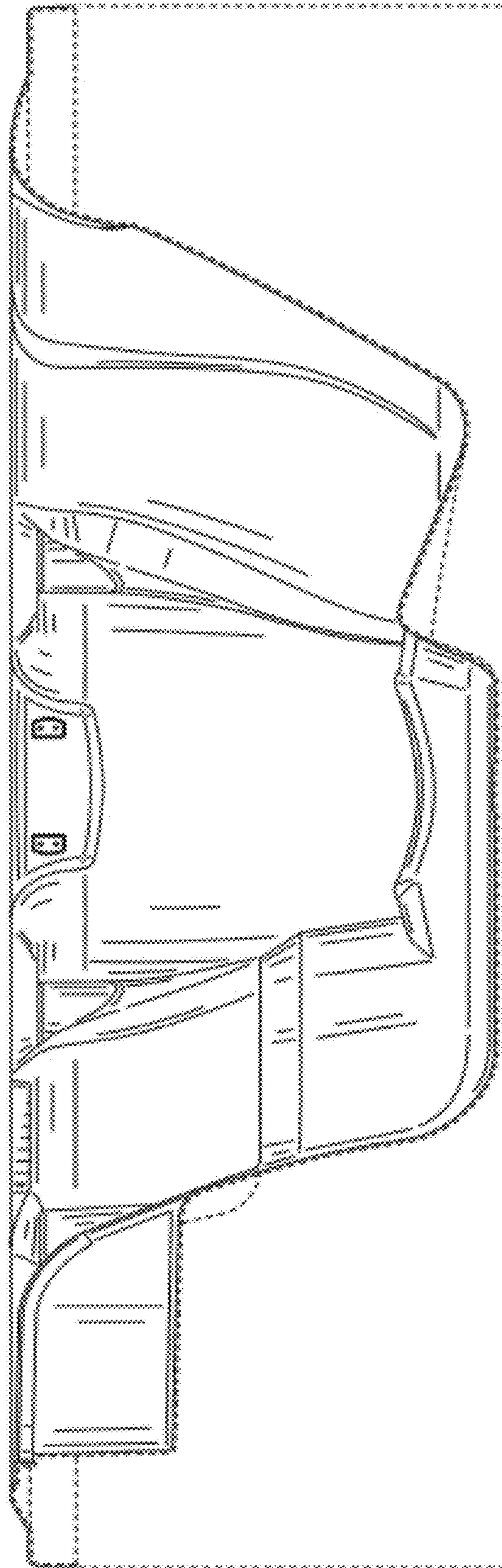


FIG. 9

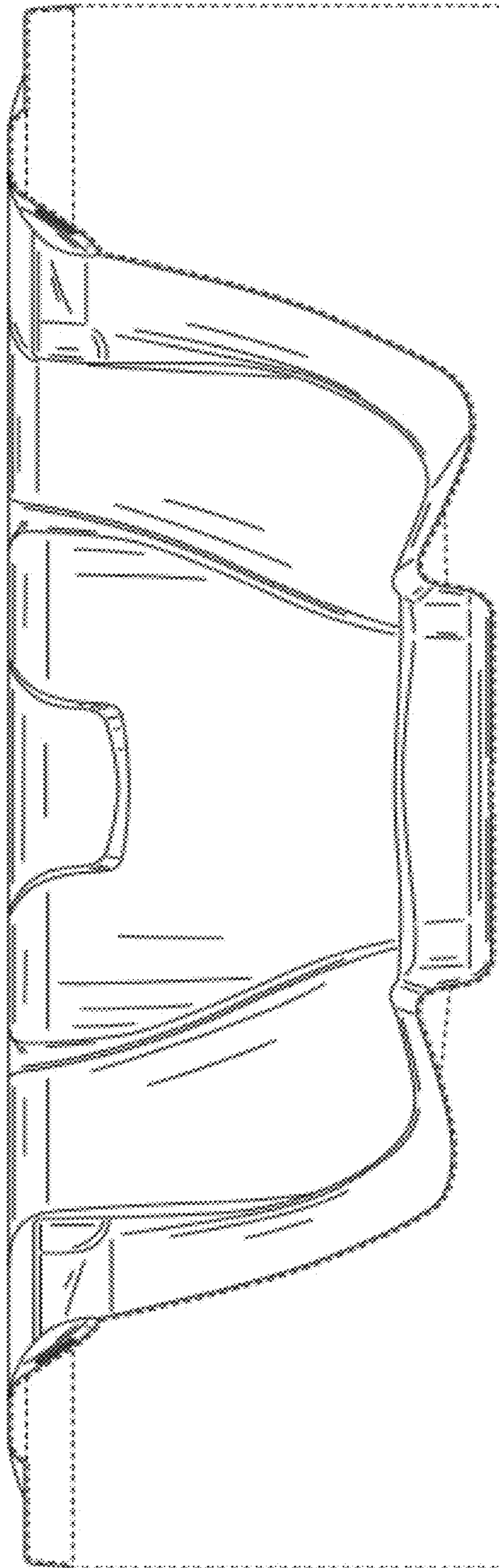


FIG. 10

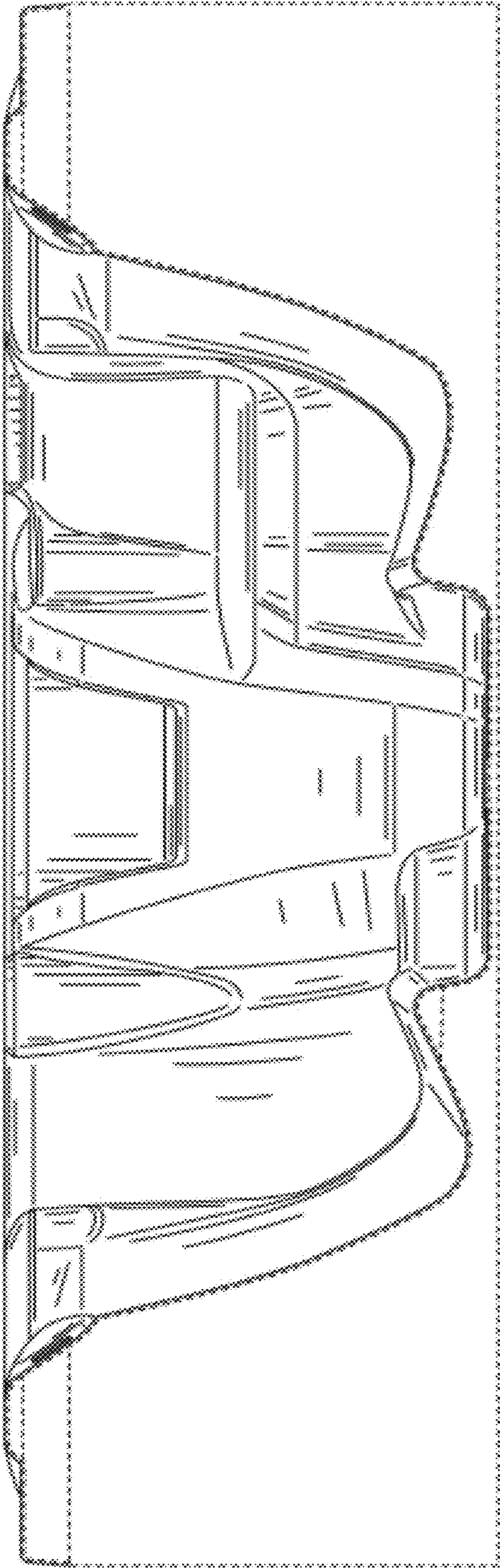


FIG. 11