



US00D657878S

(12) **United States Design Patent**  
**Beloff**

(10) **Patent No.:** **US D657,878 S**  
(45) **Date of Patent:** **\*\* Apr. 17, 2012**

(54) **JAW BRACE FOR PERFORMING DENTAL PROCEDURES**

(76) Inventor: **Arthur L. Beloff**, Aventura, FL (US)

(\*\*) Term: **14 Years**

(21) Appl. No.: **29/389,246**

(22) Filed: **Apr. 8, 2011**

(51) **LOC (9) Cl.** ..... **24-01**

(52) **U.S. Cl.** ..... **D24/181**

(58) **Field of Classification Search** ..... D24/133,  
D24/152, 155-156, 143, 176, 180-182; D8/394,  
D8/72-73; 600/237-238; 128/859, 861-862;  
433/41-42, 44, 54, 69, 93, 136, 138, 140-141  
See application file for complete search history.

(56) **References Cited**

U.S. PATENT DOCUMENTS

854,898	A *	5/1907	Lorenz	.....	600/238
856,352	A *	6/1907	Magoon	.....	600/238
892,682	A *	7/1908	Price	.....	600/237
1,010,146	A *	11/1911	Ivory	.....	433/136
1,067,572	A *	7/1913	Abbott	.....	600/237

D221,338	S *	8/1971	Brave	.....	D24/181
4,215,477	A *	8/1980	Shanel	.....	433/136
5,386,821	A *	2/1995	Poterack	.....	128/859
D397,442	S *	8/1998	Kittelsen	.....	D24/180
6,241,521	B1 *	6/2001	Garrison	.....	433/140
2010/0297579	A1 *	11/2010	Beloff	.....	433/140

\* cited by examiner

*Primary Examiner* — Wan Laymon

(74) *Attorney, Agent, or Firm* — Robert M. Downey, P.A.

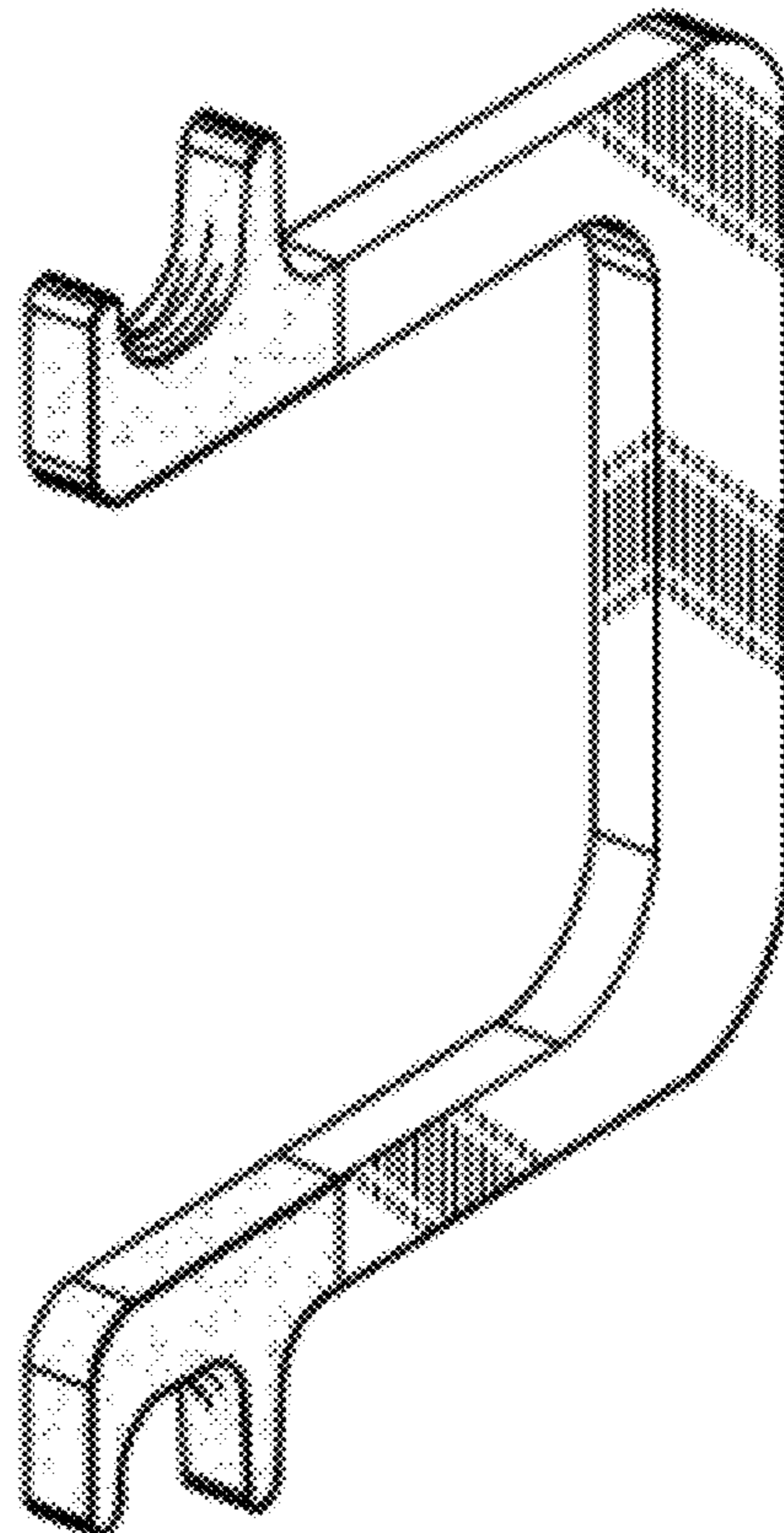
(57) **CLAIM**

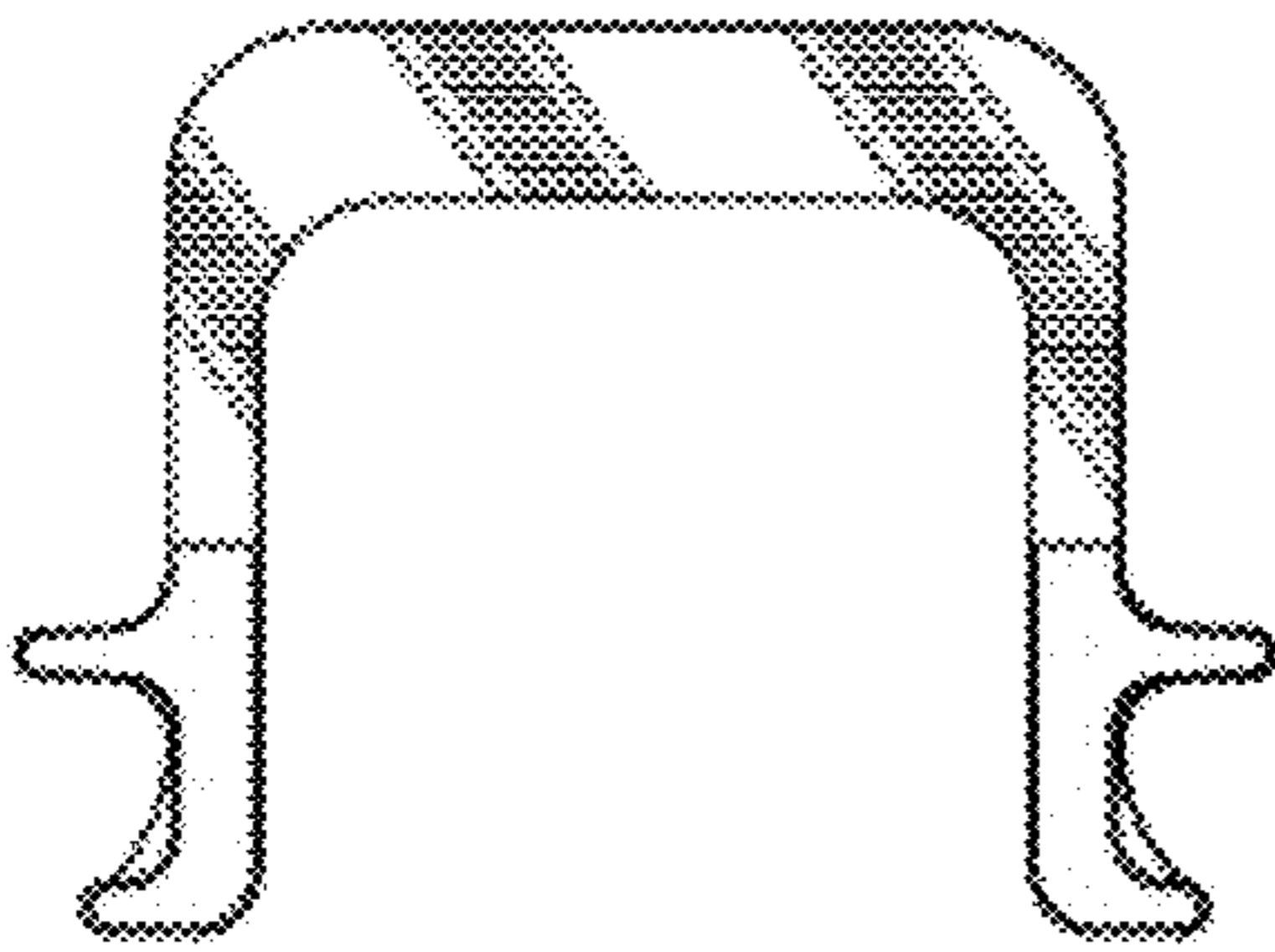
The ornamental design for a jaw brace for performing dental procedures, as shown and described.

**DESCRIPTION**

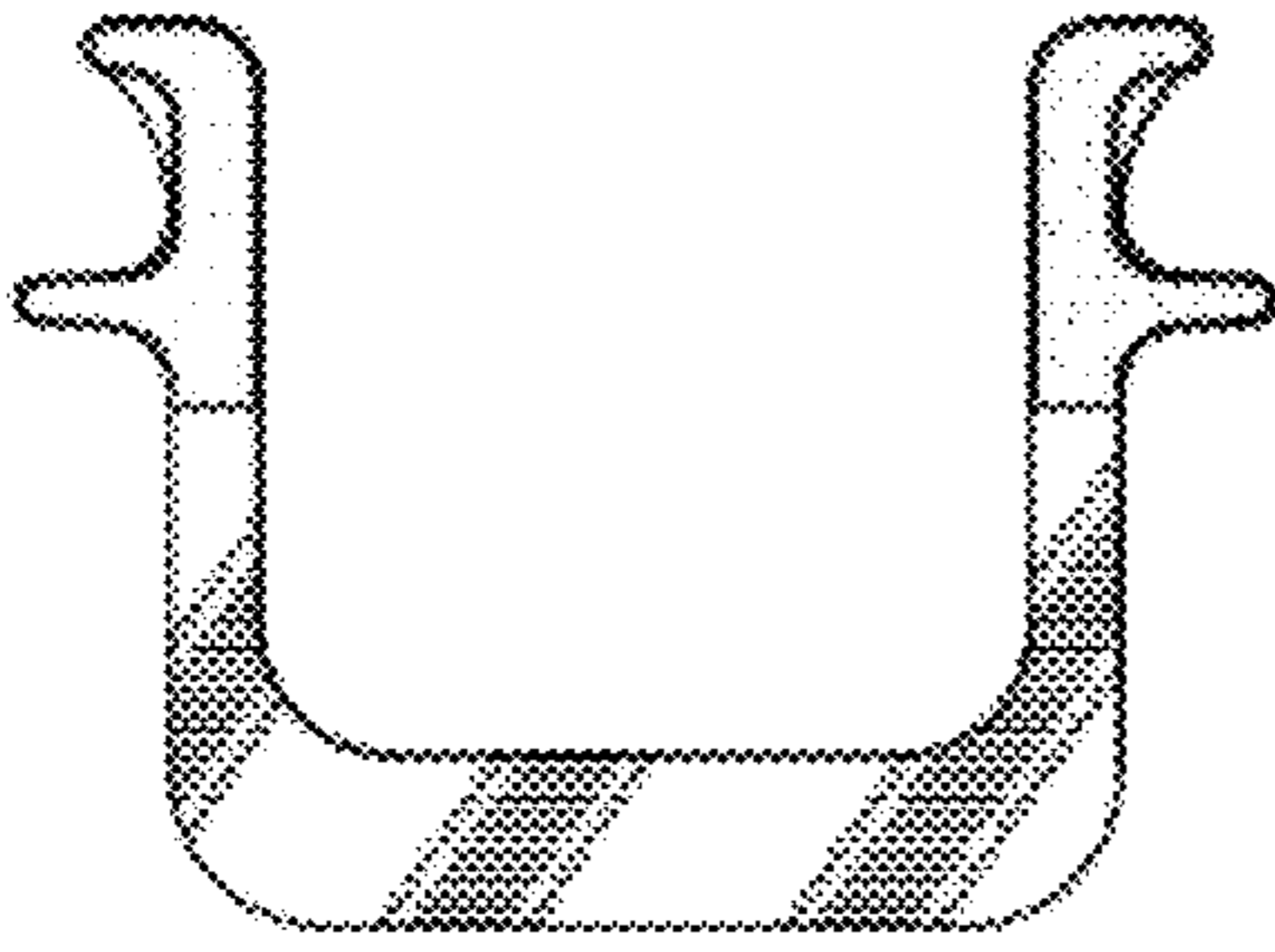
FIG. 1 is a front elevational view of a jaw brace for performing dental procedures showing my new design; FIG. 2 is a rear elevational view thereof; FIG. 3 is a top plan view thereof; FIG. 4 a bottom plan view thereof; FIG. 5 is a right side elevational view thereof; FIG. 6 is a left side elevational view thereof; and, FIG. 7 is a perspective view thereof.

**1 Claim, 1 Drawing Sheet**





*FIG. 1*



*FIG. 2*



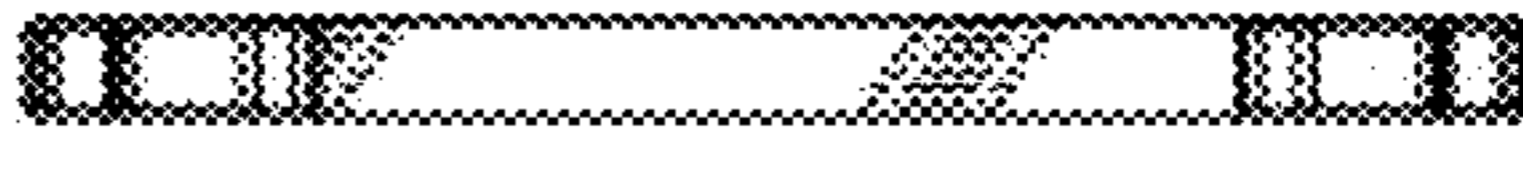
*FIG. 3*



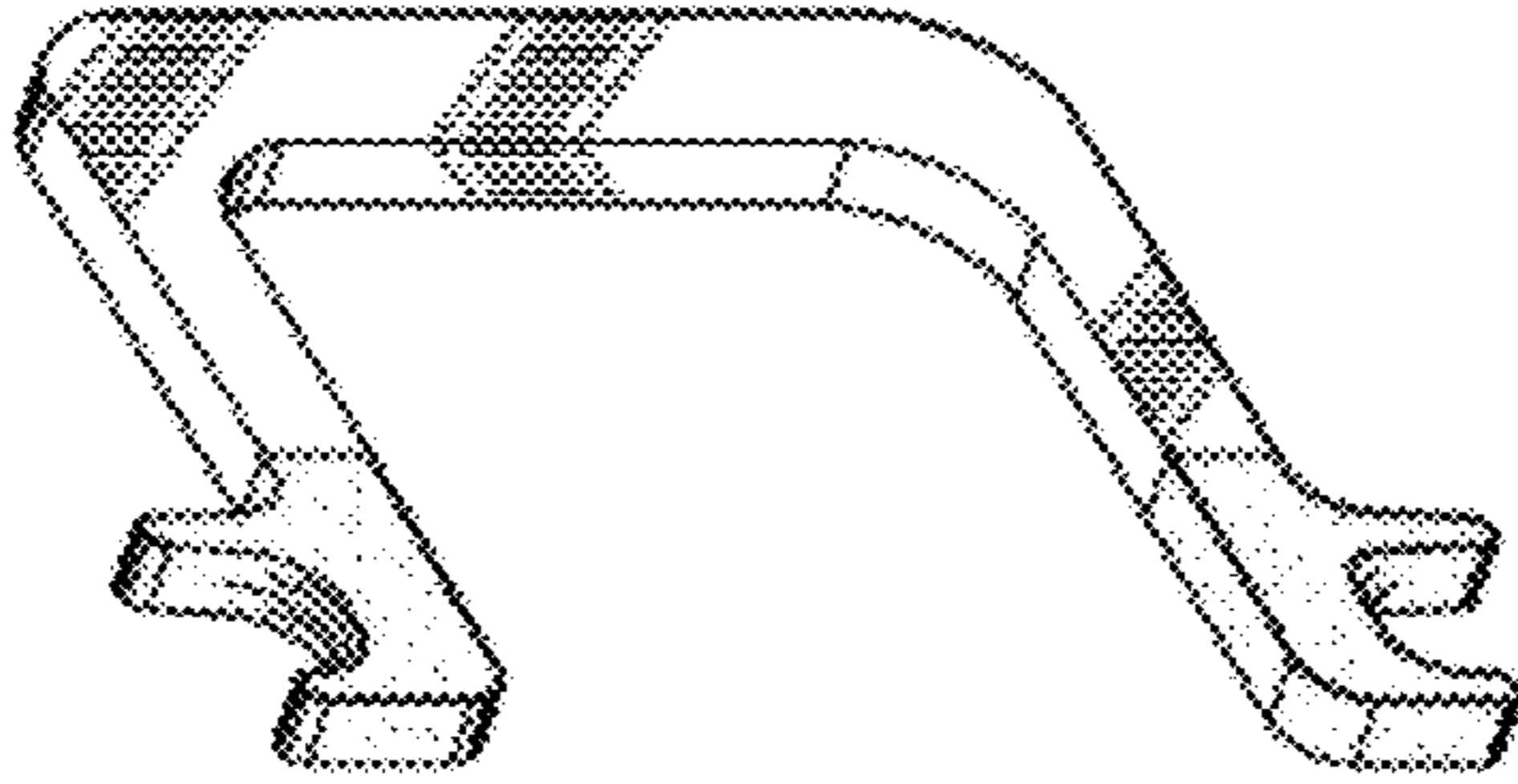
*FIG. 4*



*FIG. 5*



*FIG. 6*



*FIG. 7*