



US00D657876S

(12) **United States Design Patent**
Peuker et al.

(10) **Patent No.:** **US D657,876 S**

(45) **Date of Patent:** **** *Apr. 17, 2012**

- (54) **DENTAL CAPSULE**
- (75) Inventors: **Marc Peuker**, Schondorf (DE); **Andreas J. Boehm**, Reichling (DE)
- (73) Assignee: **3M Innovative Properties Company**, St. Paul, MN (US)
- (*) Notice: This patent is subject to a terminal disclaimer.
- (**) Term: **14 Years**
- (21) Appl. No.: **29/366,912**
- (22) Filed: **Jul. 30, 2010**

4,252,118 A	2/1981	Richard
4,471,888 A	9/1984	Herb
4,496,344 A	1/1985	Kamstra
4,538,920 A	9/1985	Drake
4,572,210 A	2/1986	McKinnon
4,599,082 A	7/1986	Grimard
4,613,326 A	9/1986	Szwarc
4,632,672 A	12/1986	Kvitrud
4,660,569 A	4/1987	Etherington
4,674,661 A	6/1987	Herold
4,687,663 A	8/1987	Schaeffer
4,689,042 A	8/1987	Sarnoff

(Continued)

- (30) **Foreign Application Priority Data**
- Feb. 2, 2010 (EM) 1192926-1/2
- (51) **LOC (9) Cl.** **24-02**
- (52) **U.S. Cl.** **D24/176**
- (58) **Field of Classification Search** D24/108, D24/111-113, 152, 155-156, 176-177; D9/696; 222/129, 145.1, 145.5, 386; 433/80, 85, 433/88-90, 98, 114; 206/63.5
- See application file for complete search history.

FOREIGN PATENT DOCUMENTS

CH	669164	2/1989
CN	1138001	12/1996
DE	2219009	10/1973
DE	3913409	10/1990
DE	9016568	5/1992

(Continued)

Primary Examiner — Wan Laymon

(57) **CLAIM**

The ornamental design for a dental capsule, as shown and described.

(56) **References Cited**

U.S. PATENT DOCUMENTS

2,607,341 A	8/1952	Brown
3,089,626 A	5/1963	Kubiliunas
3,251,516 A	5/1966	Thomas
3,318,494 A	5/1967	Porter
3,323,682 A	6/1967	Creighton, Jr.
3,568,895 A	3/1971	Porter
3,603,310 A	9/1971	Mottin
3,680,605 A	8/1972	Nigro
3,735,900 A	5/1973	Gores
3,774,822 A	11/1973	Hazard
3,863,818 A	2/1975	Hazard
3,965,898 A	6/1976	Cloyd
3,967,759 A	7/1976	Baldwin
3,998,224 A	12/1976	Chiquiar-Arias
4,082,121 A	4/1978	Sturm et al.
4,121,739 A	10/1978	Devaney
4,182,238 A	1/1980	Mitchell, Sr.
4,235,235 A	11/1980	Bekkering

DESCRIPTION

FIG. 1 is a perspective view showing the new design for a dental capsule.

FIG. 2 is a right view thereof;

FIG. 3 is a left view thereof;

FIG. 4 is a top view thereof;

FIG. 5 is a bottom view thereof;

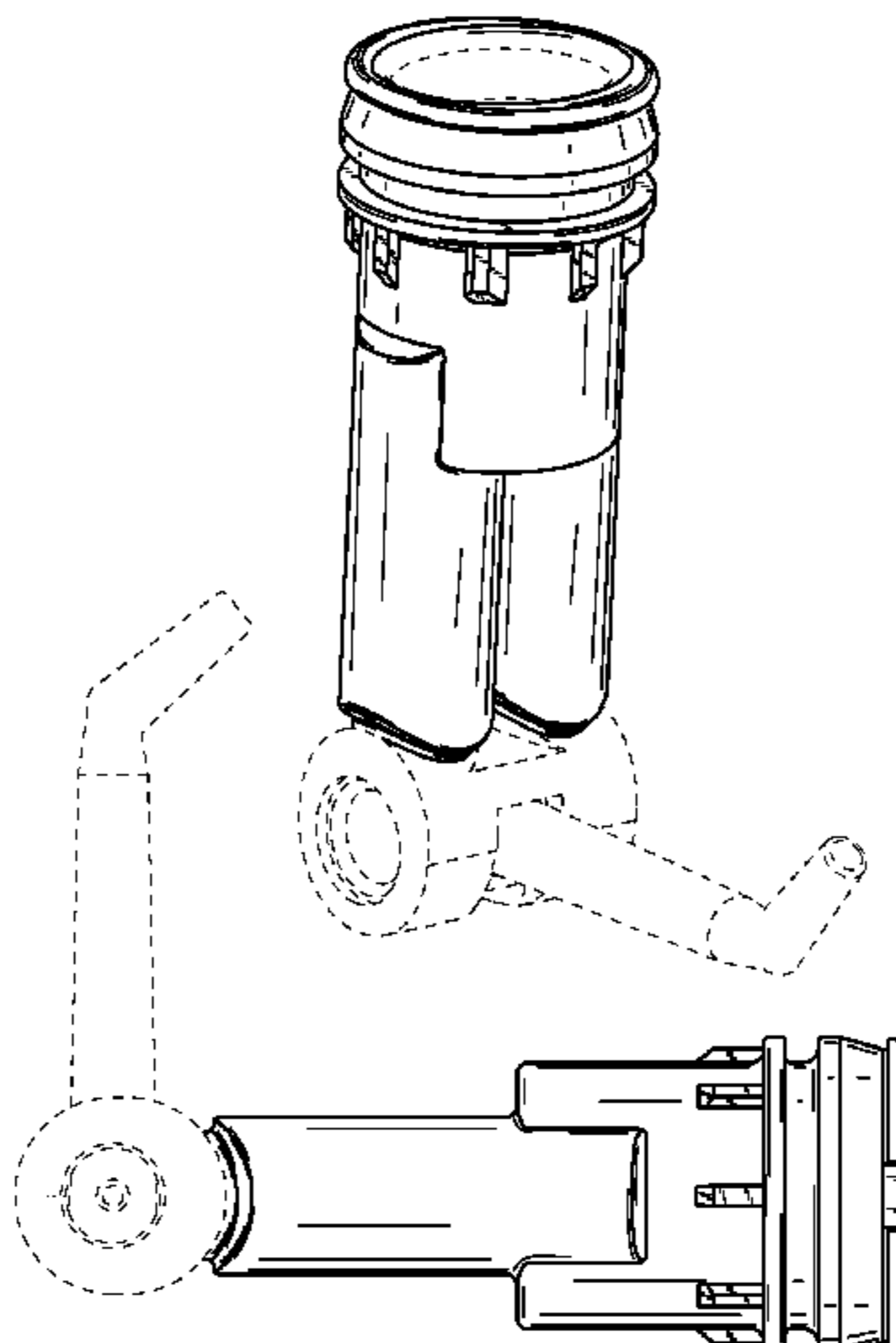
FIG. 6 is a front view thereof; and,

FIG. 7 is a back view thereof.

The broken lines form no part of the claimed design, and any shading is provided to illustrate contour only and is not an indication of texture, gloss, etc.

The broken lined showing portions of a dental capsule are included for illustrating environmental structure and form no part of the claimed design.

1 Claim, 3 Drawing Sheets



US D657,876 S

U.S. PATENT DOCUMENTS

4,735,509	A	4/1988	Rausch	
4,755,169	A	7/1988	Sarnoff	
4,792,065	A	12/1988	Soehnlein	
4,801,008	A	1/1989	Rich	
4,811,549	A	3/1989	Usami	
4,811,838	A	3/1989	Usami	
4,826,483	A	5/1989	Molnar, IV	
4,852,772	A	8/1989	Ennis, III	
4,854,343	A	8/1989	Rilett	
4,865,884	A	9/1989	Usami	
4,951,848	A	8/1990	Keller	
4,966,468	A	10/1990	Brüning	
4,986,443	A	1/1991	Saur	
4,995,540	A	2/1991	Colin	
5,016,782	A	5/1991	Pfanstiel	
5,021,047	A	6/1991	Movern	
5,033,650	A	7/1991	Colin	
5,042,695	A	8/1991	Battegazzore	
5,065,906	A	11/1991	Maeder	
RE33,801	E	1/1992	Green	
5,082,147	A	1/1992	Jacobs	
5,127,548	A	7/1992	Brunet	
5,137,181	A	8/1992	Keller	
5,178,305	A	1/1993	Keller	
5,183,466	A	2/1993	Movern	
5,238,003	A	8/1993	Baidwan	
5,242,082	A	9/1993	Giannuzzi	
5,249,709	A	10/1993	Duckworth	
5,316,186	A	5/1994	Prestele	
5,333,760	A	8/1994	Simmen	
5,370,221	A	12/1994	Magnusson	
5,400,926	A	3/1995	Keller	
5,453,093	A	9/1995	Haining	
5,535,922	A	7/1996	Maziarz	
5,599,312	A	2/1997	Higashikawa	
5,647,510	A	7/1997	Keller	
5,716,338	A	2/1998	Hjertman	
5,738,655	A	4/1998	Vallelunga	
5,743,436	A	4/1998	Wilcox	
5,865,803	A	2/1999	Major	
5,871,355	A *	2/1999	Dragan et al.	433/90
5,874,354	A	2/1999	Heitzer	
5,878,922	A	3/1999	Boring	
5,897,028	A	4/1999	Sauer	
5,938,439	A	8/1999	Mertins	
6,027,481	A	2/2000	Barrelle	
6,047,861	A	4/2000	Vidal	
6,048,201	A	4/2000	Zwingenberger	
6,060,643	A	5/2000	Fleming	
6,065,643	A	5/2000	Harvey	
6,095,814	A	8/2000	Petrich	
6,102,699	A	8/2000	Galehr	
6,135,771	A *	10/2000	Dragan et al.	433/90
6,261,094	B1 *	7/2001	Dragan	433/90
6,352,177	B1	3/2002	Bublewitz	
6,375,460	B1 *	4/2002	Plaumann	433/80
6,386,872	B1	5/2002	Mukasa	
6,409,972	B1	6/2002	Chan	
6,454,129	B1	9/2002	Green	
6,464,112	B2	10/2002	Summons	
6,547,101	B1	4/2003	Sogaro	
6,572,565	B2	6/2003	Daley	
6,585,511	B2 *	7/2003	Dragan et al.	433/90
6,598,766	B1	7/2003	Brugner	
6,632,198	B2	10/2003	Caizza	
6,681,957	B1	1/2004	Green	
6,685,063	B2	2/2004	Brugner	
6,698,622	B2	3/2004	Sawhney	
6,740,062	B2	5/2004	Hjertman	
6,843,652	B2	1/2005	Xie	
6,877,983	B1 *	4/2005	Dragan et al.	433/90
6,899,254	B1	5/2005	Sandholm	
6,916,308	B2	7/2005	Dixon	
7,101,351	B2	9/2006	Crawford	
D581,528	S	11/2008	Sudo	
D583,938	S	12/2008	Sudo	
7,503,905	B2	3/2009	Jessop	
7,547,297	B2	6/2009	Brinkhues	

D602,591	S *	10/2009	Cheetham	D24/176
D602,592	S *	10/2009	Cheetham	D24/176
D602,593	S *	10/2009	Cheetham	D24/176
7,621,428	B2	11/2009	Springhorn	
D620,118	S *	7/2010	Cheetham	D24/176
7,882,983	B2 *	2/2011	Reidt et al.	222/145.5
7,909,211	B2	3/2011	Springhorn	
2002/0023892	A1	2/2002	Savitz	
2002/0076671	A1	6/2002	Evers	
2002/0077598	A1	6/2002	Yap	
2003/0111490	A1	6/2003	Pierson	
2003/0120220	A1	6/2003	Lee	
2003/0147688	A1	8/2003	Hathaway	
2003/0196914	A1	10/2003	Tzou	
2003/0233075	A1	12/2003	Huegli	
2004/0104249	A1	6/2004	Horth	
2004/0152041	A1	8/2004	Metzbower	
2004/0261888	A1	12/2004	Brennan	
2005/0006809	A1	1/2005	Stroppiana	
2005/0130099	A1	6/2005	Besek	
2005/0137533	A1	6/2005	Sudo	
2006/0178643	A1	8/2006	Sudo	
2006/0273109	A1	12/2006	Keller	
2007/0078406	A1	4/2007	Lee	
2007/0078407	A1	4/2007	Huang	
2007/0167910	A1	7/2007	Tennican	
2007/0172789	A1	7/2007	Muller	
2007/0250004	A1	10/2007	Tung	
2008/0097387	A1	4/2008	Spector	
2008/0203112	A1	8/2008	Peuker	
2008/0230565	A1 *	9/2008	Hohmann et al.	222/386
2009/0298010	A1 *	12/2009	Broyles et al.	433/90
2010/0175348	A1 *	7/2010	Fundingsland et al.	206/63.5
2010/0200617	A1	8/2010	Schär	
2010/0294795	A1 *	11/2010	Boehm	222/386
2011/0084094	A1	4/2011	Reidt	
2011/0101563	A1	5/2011	Costa	
2011/0189059	A1 *	8/2011	Boehm et al.	422/225

FOREIGN PATENT DOCUMENTS

DE	9206892	1/1993
DE	4229588	3/1994
DE	29506800	8/1996
DE	19720896	12/1997
DE	19708548	9/1998
DE	29811344	10/1999
DE	10133075	1/2003
DE	10151104	4/2003
DE	20216632	4/2004
EP	0093185	11/1983
EP	0112574	7/1984
EP	0783872	7/1997
EP	0831034	3/1998
EP	0966331	8/2002
EP	1544123	6/2005
FR	833083	10/1938
FR	1493380	8/1967
FR	2626248	7/1989
GB	1475430	6/1977
JP	6265969	3/1987
JP	4200672	7/1992
JP	6199566	7/1994
JP	2002145360	5/2002
WO	90/05096	5/1990
WO	91/05731	5/1991
WO	93/22200	11/1993
WO	95/22941	8/1995
WO	96/15705	5/1996
WO	97/21394	6/1997
WO	99/36188	7/1999
WO	01/44065	6/2001
WO	02/094683	11/2002
WO	2005/016783	2/2005
WO	2007/104037	9/2007
WO	2009/029974	3/2009
WO	2011/017181	2/2011
WO	2011/025665	3/2011

* cited by examiner

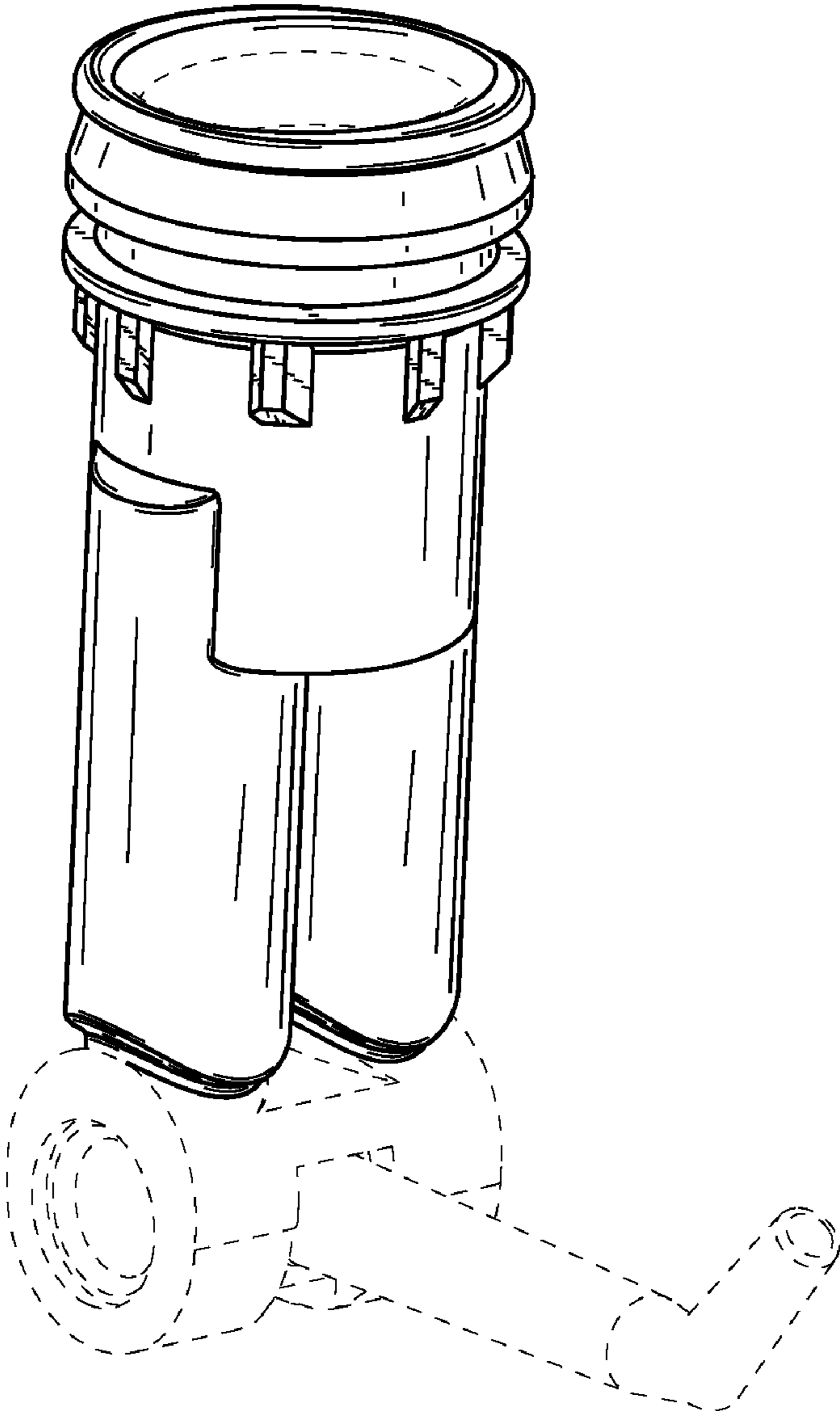


FIG. 1

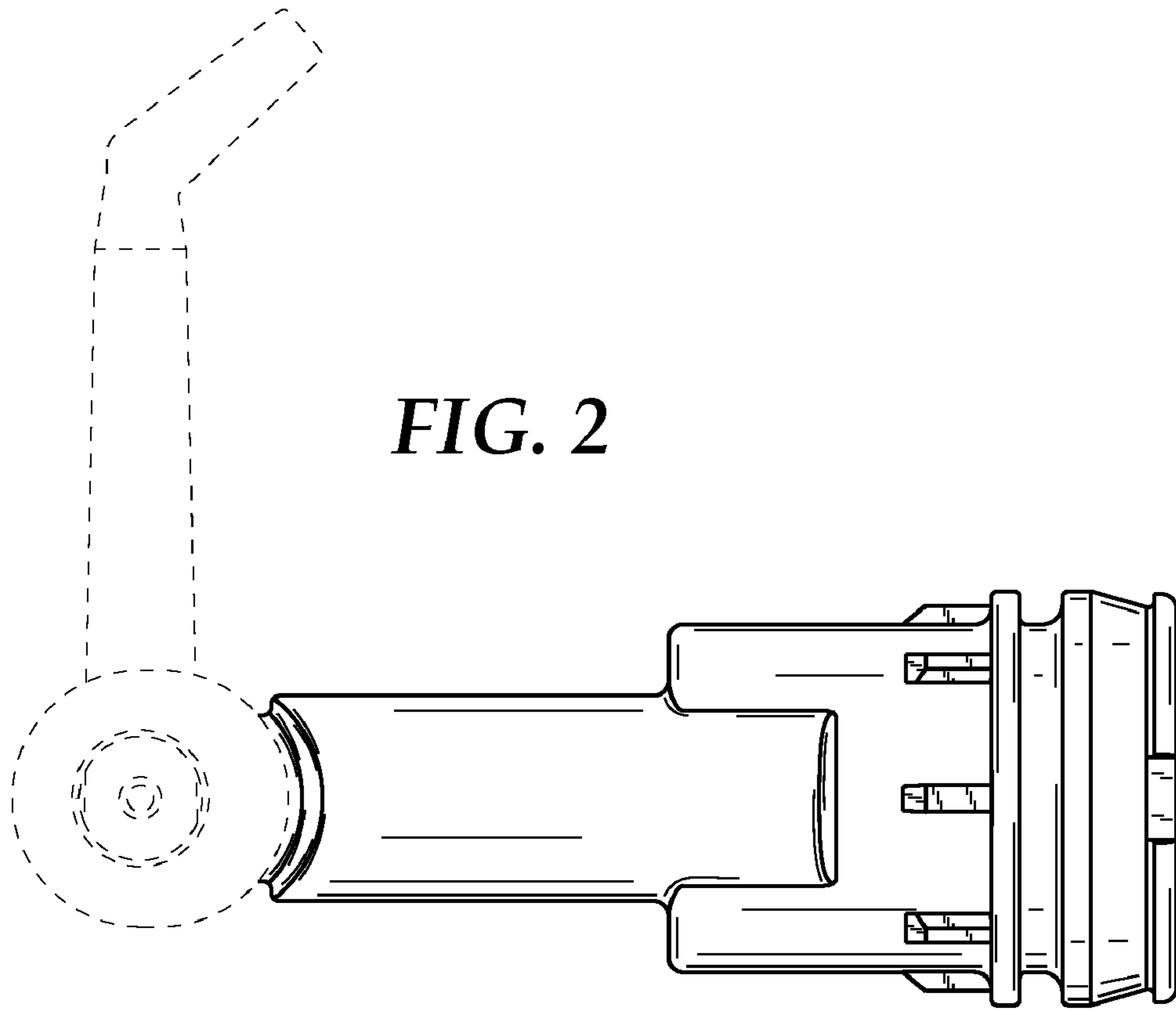


FIG. 2

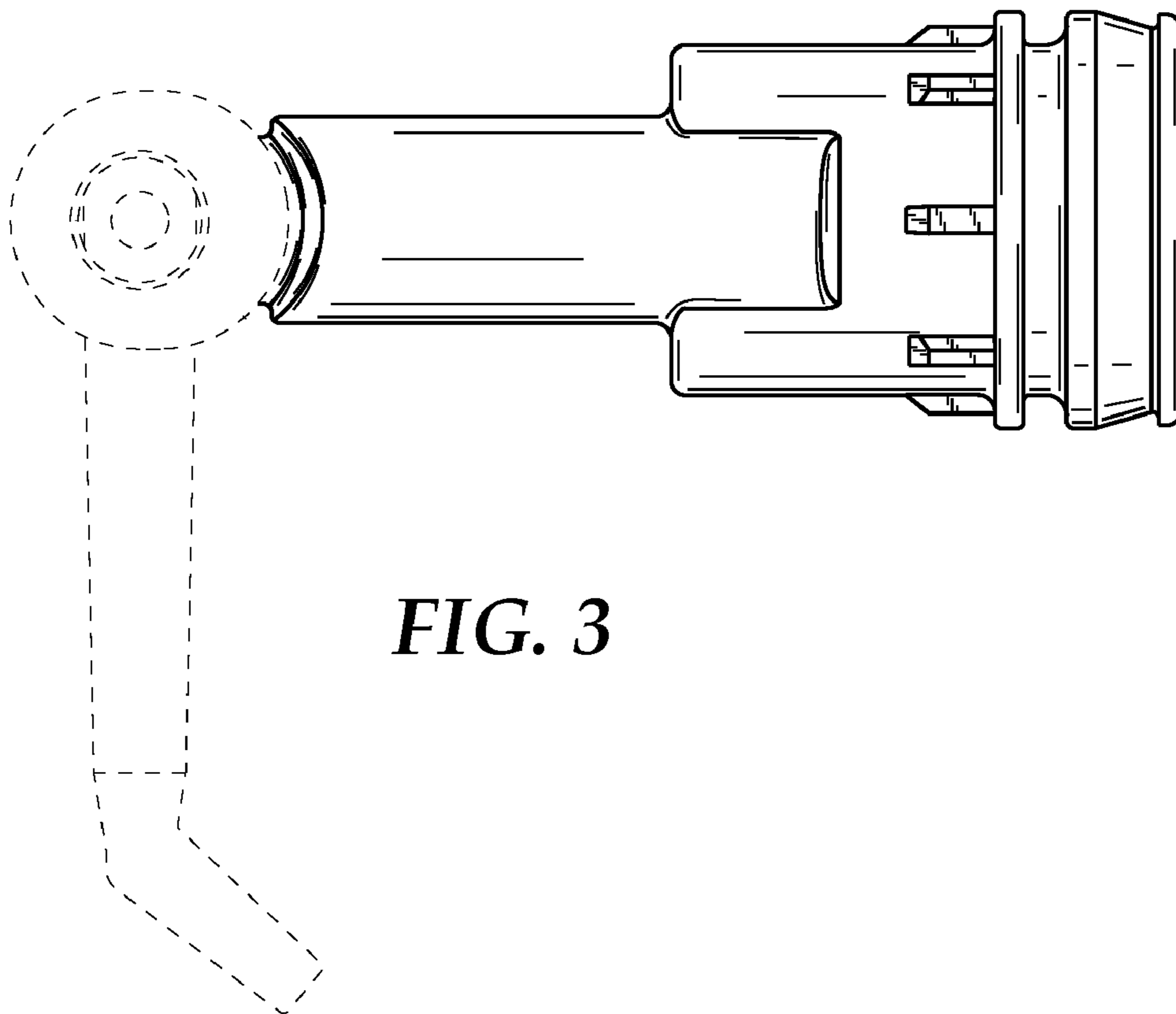


FIG. 3

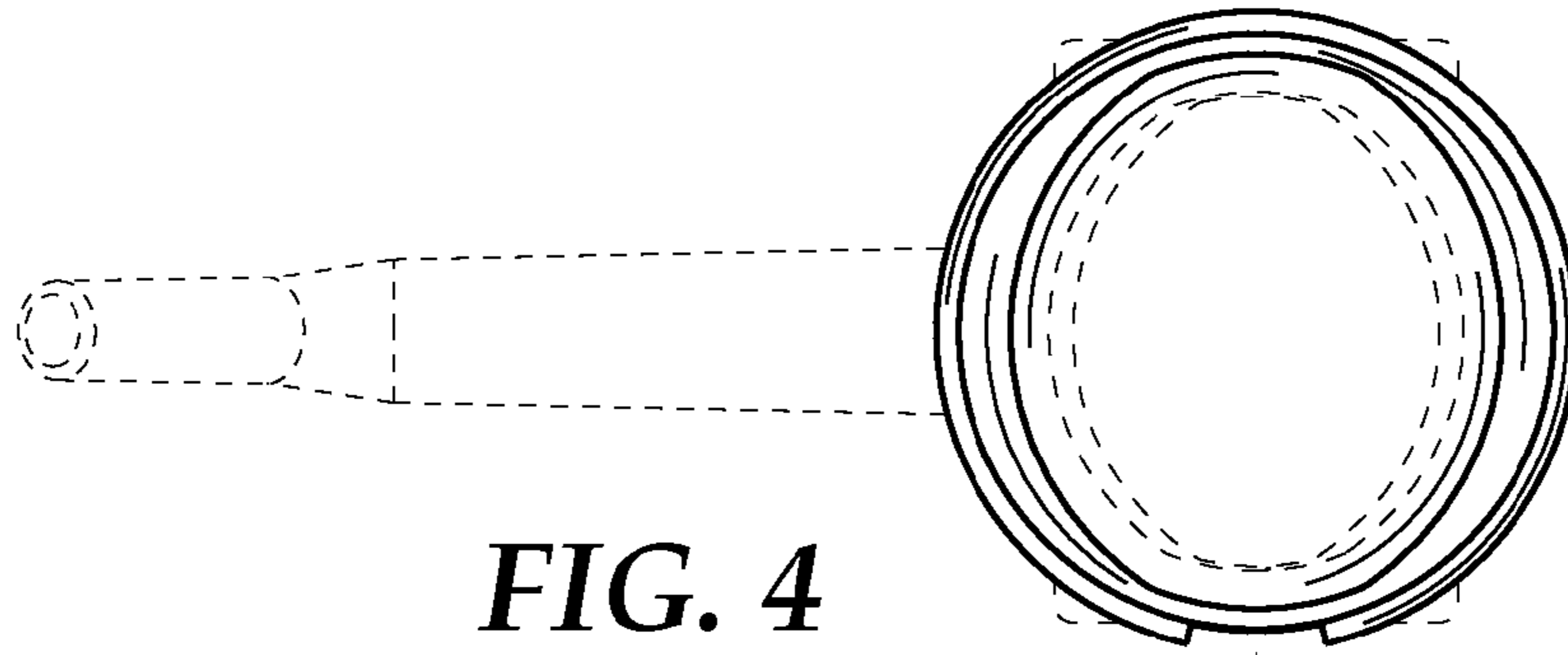


FIG. 4

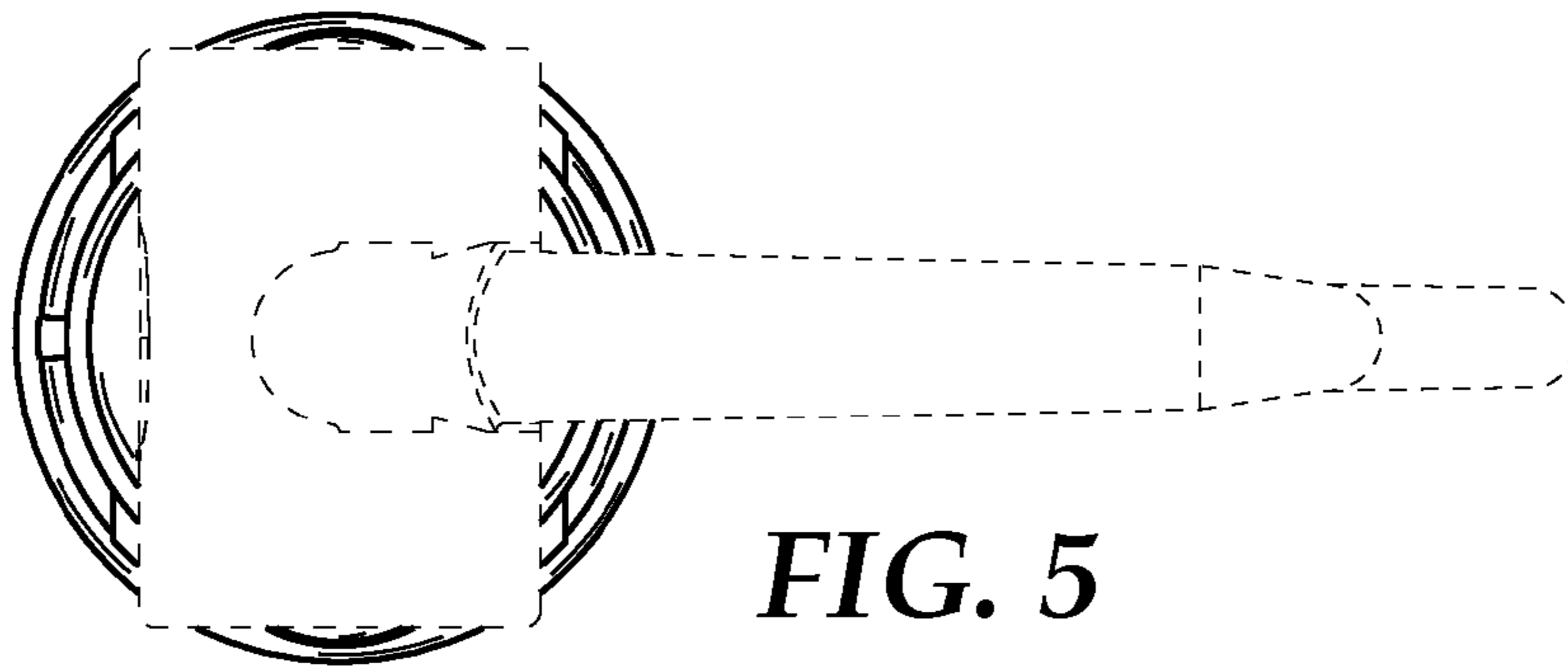


FIG. 5

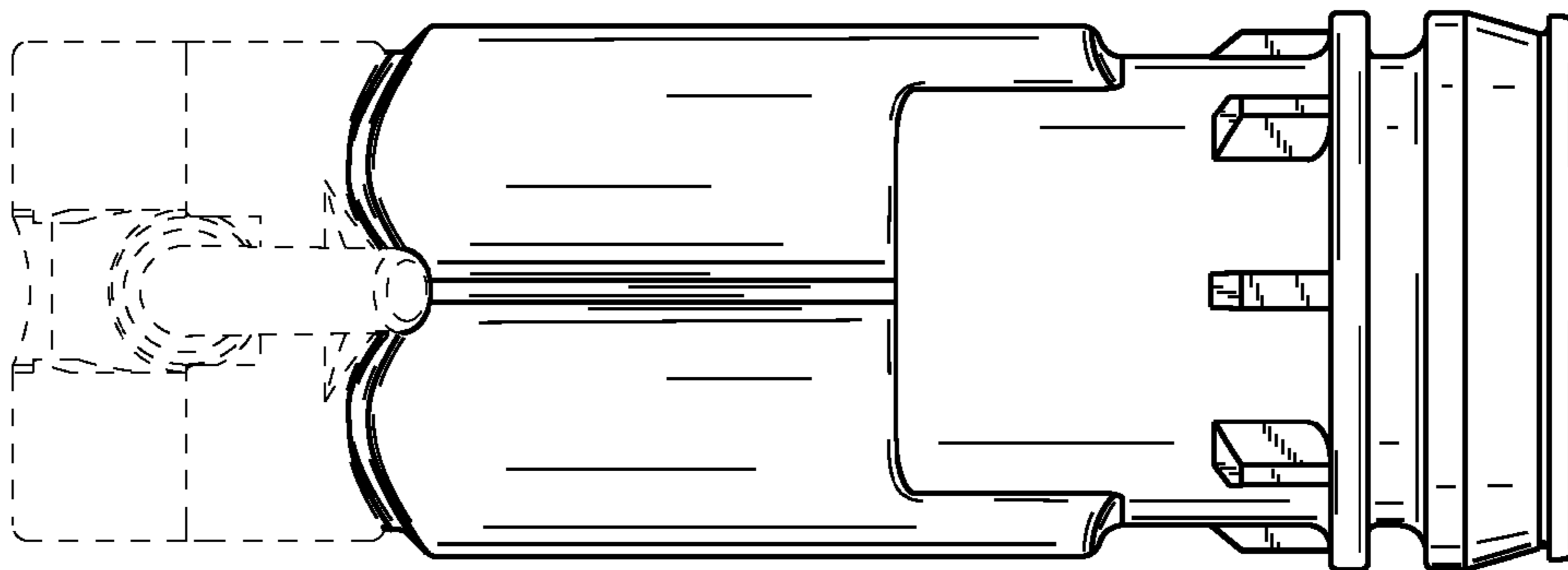


FIG. 6

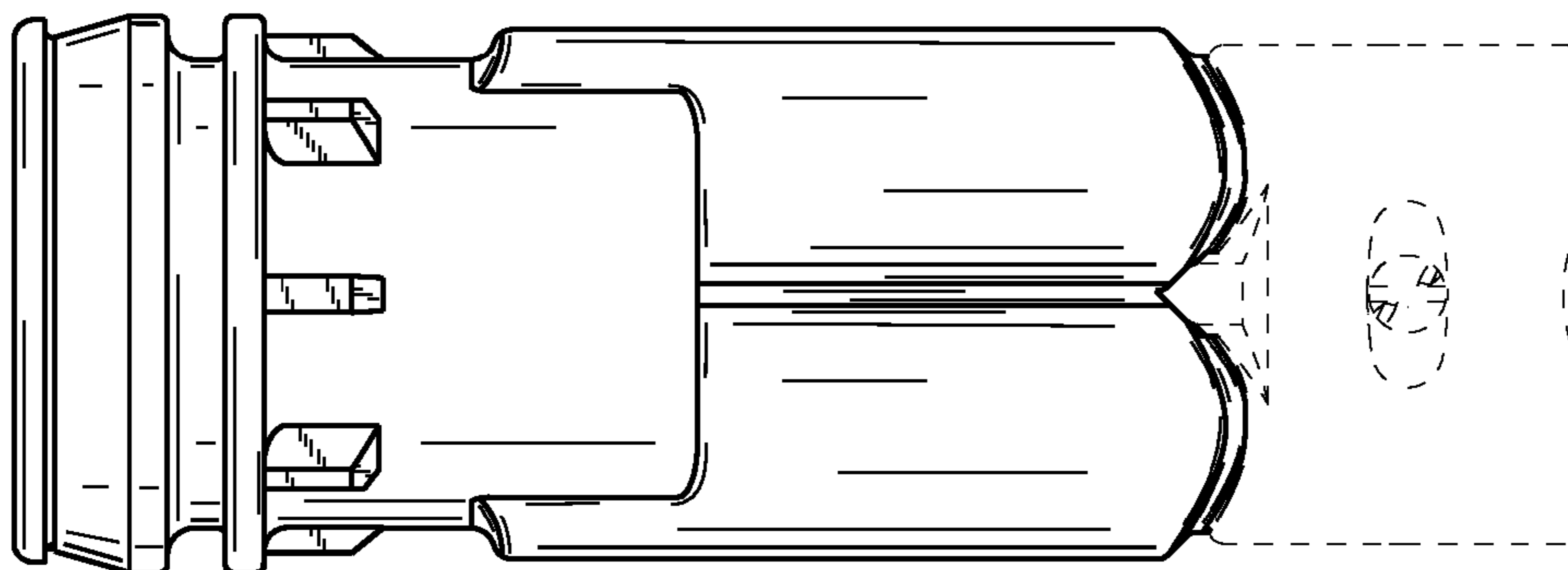


FIG. 7