



US00D657875S

(12) **United States Design Patent**  
**Yanase et al.**

(10) **Patent No.:** **US D657,875 S**  
(45) **Date of Patent:** **\*\* Apr. 17, 2012**

(54) **MOBILE X-RAY APPARATUS**

(75) Inventors: **Kazuyuki Yanase**, Tokyo (JP); **Atsushi Ninomiya**, Tokyo (JP); **Masaru Yokoyama**, Tokyo (JP); **Koichiro Oku**, Tokyo (JP); **Shinya Kitamura**, Tokyo (JP)

(73) Assignee: **Hitachi Medical Corporation**, Tokyo (JP)

(\*\*) Term: **14 Years**

(21) Appl. No.: **29/380,340**

(22) Filed: **Dec. 3, 2010**

(30) **Foreign Application Priority Data**

Jun. 18, 2010 (JP) ..... 2010-15014

(51) **LOC (9) Cl.** ..... **24-01**

(52) **U.S. Cl.** ..... **D24/158**

(58) **Field of Classification Search** ..... D24/158-161, D24/186, 183-185; 378/4, 15, 17, 20, 21, 378/23-27, 62, 68, 146, 195-198

See application file for complete search history.

(56) **References Cited**

**U.S. PATENT DOCUMENTS**

3,790,805 A \* 2/1974 Foderaro ..... 378/198  
4,752,948 A \* 6/1988 MacMahon ..... 378/198  
5,206,894 A \* 4/1993 Makrinos et al. .... 378/93

5,351,282 A \* 9/1994 Kadowaki et al. .... 378/198  
5,784,435 A \* 7/1998 Figurski ..... 378/197  
D617,906 S \* 6/2010 Nakahara et al. .... D24/158  
7,916,835 B2 \* 3/2011 Abe et al. .... 378/62  
2003/0198317 A1 \* 10/2003 Nakagawa et al. .... 378/62  
2006/0034427 A1 \* 2/2006 Brooks ..... 378/198  
2007/0133753 A1 \* 6/2007 Jakob et al. .... 378/198  
2010/0329426 A1 \* 12/2010 Oda et al. .... 378/98.2  
2010/0329427 A1 \* 12/2010 Takae et al. .... 378/98.5

\* cited by examiner

*Primary Examiner* — Anhdao Doan

(74) *Attorney, Agent, or Firm* — Antonelli, Terry, Stout & Kraus, LLP.

(57) **CLAIM**

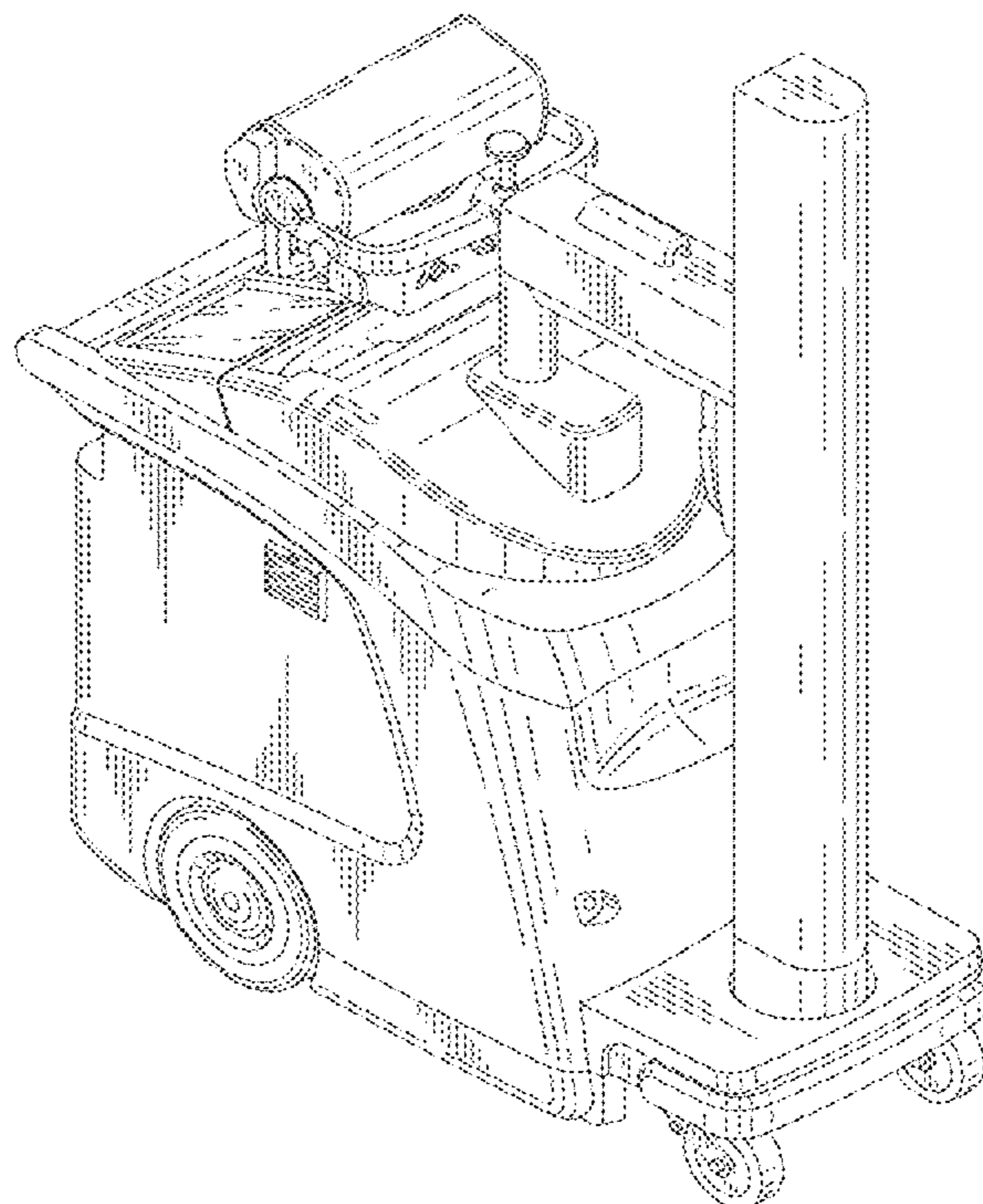
We claim the ornamental design for a mobile x-ray apparatus, as shown and described.

**DESCRIPTION**

FIG. 1 is a front, top and right side perspective view of a mobile x-ray apparatus showing our new design; FIG. 2 is a front elevational view thereof; FIG. 3 is a rear side elevational view thereof; FIG. 4 is a top plan view thereof; FIG. 5 is a bottom plan view thereof; FIG. 6 is a left side elevational view thereof; and, FIG. 7 is a right side elevational view thereof.

The broken lines in the figure views are included for the purpose of illustrating portions of the mobile x-ray apparatus that form no part of the claimed design.

**1 Claim, 5 Drawing Sheets**



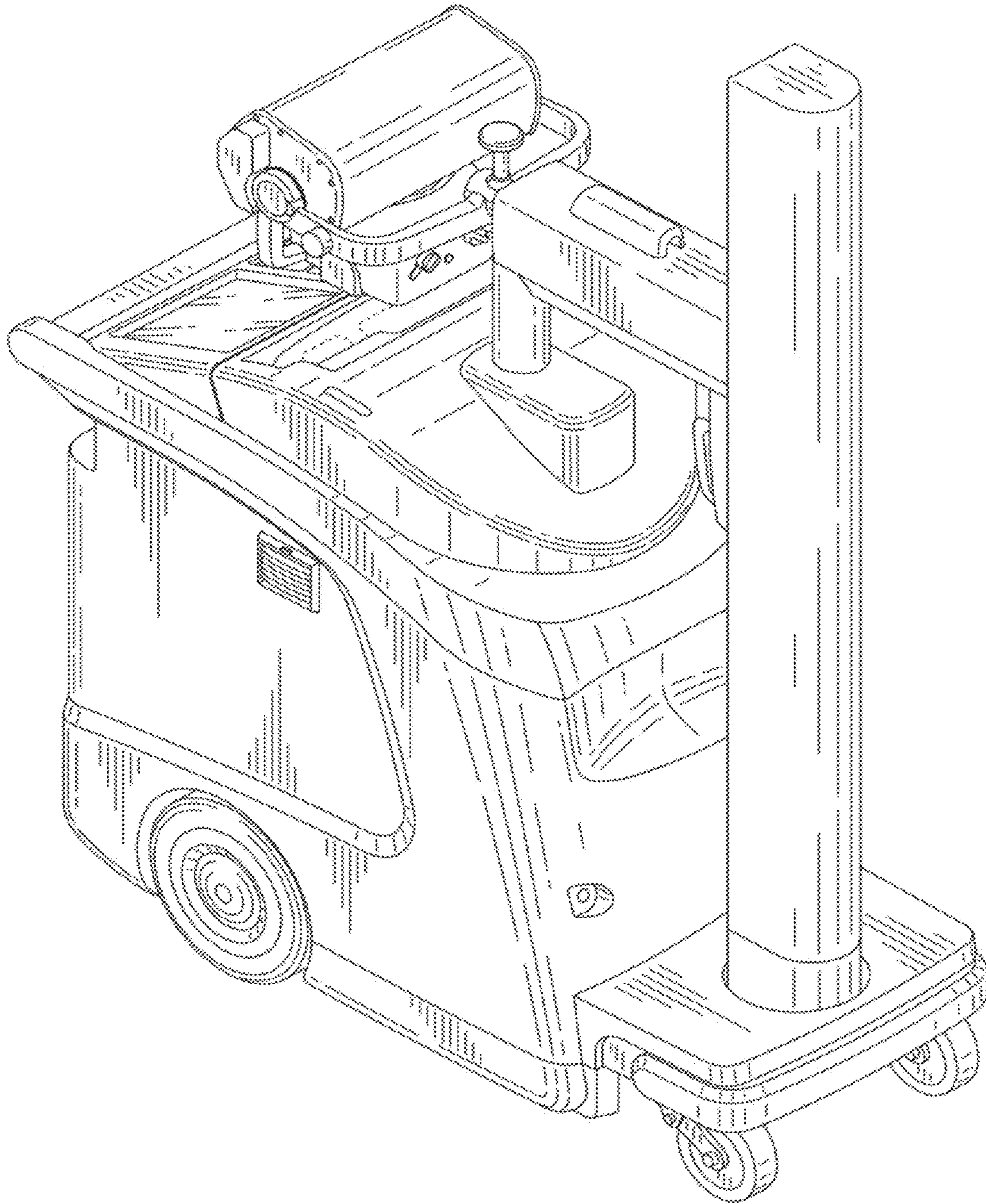


FIG. 1

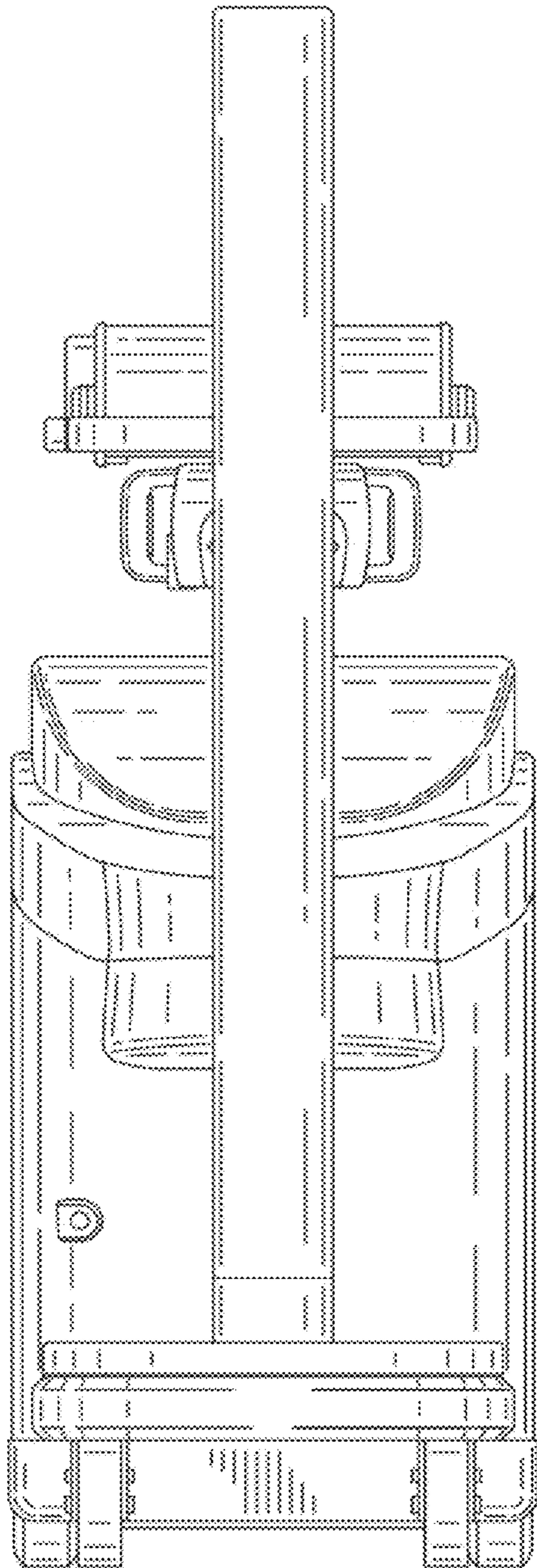


FIG. 2

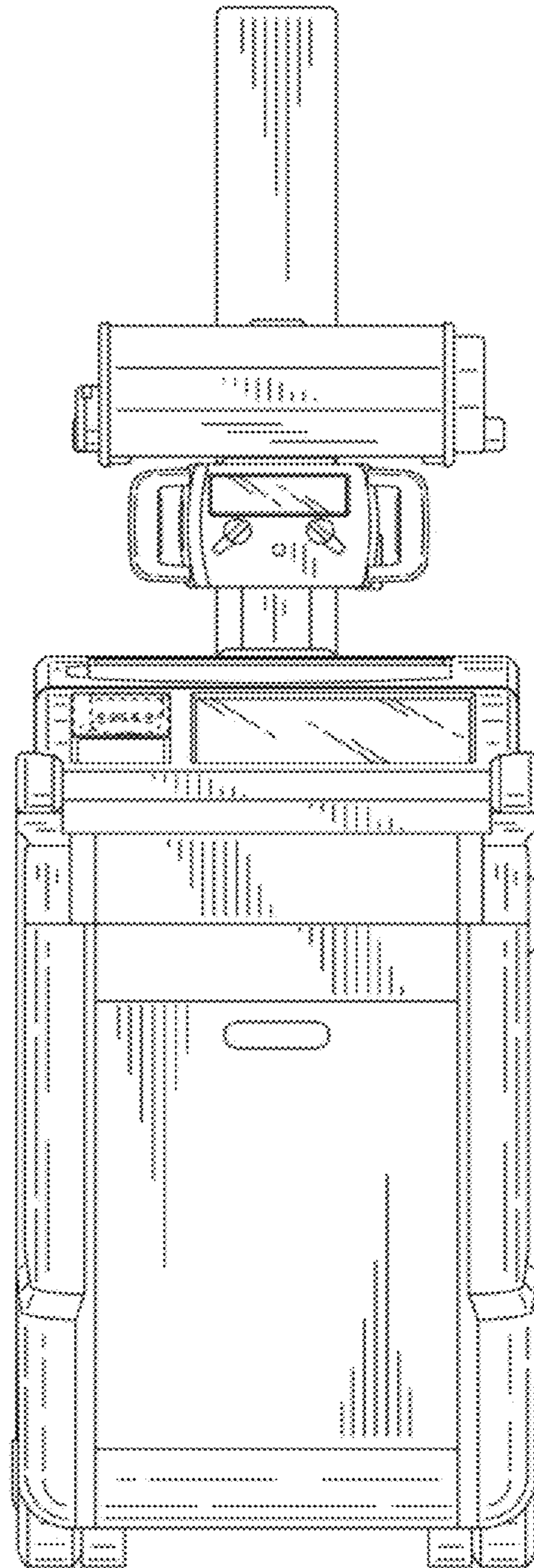


FIG. 3

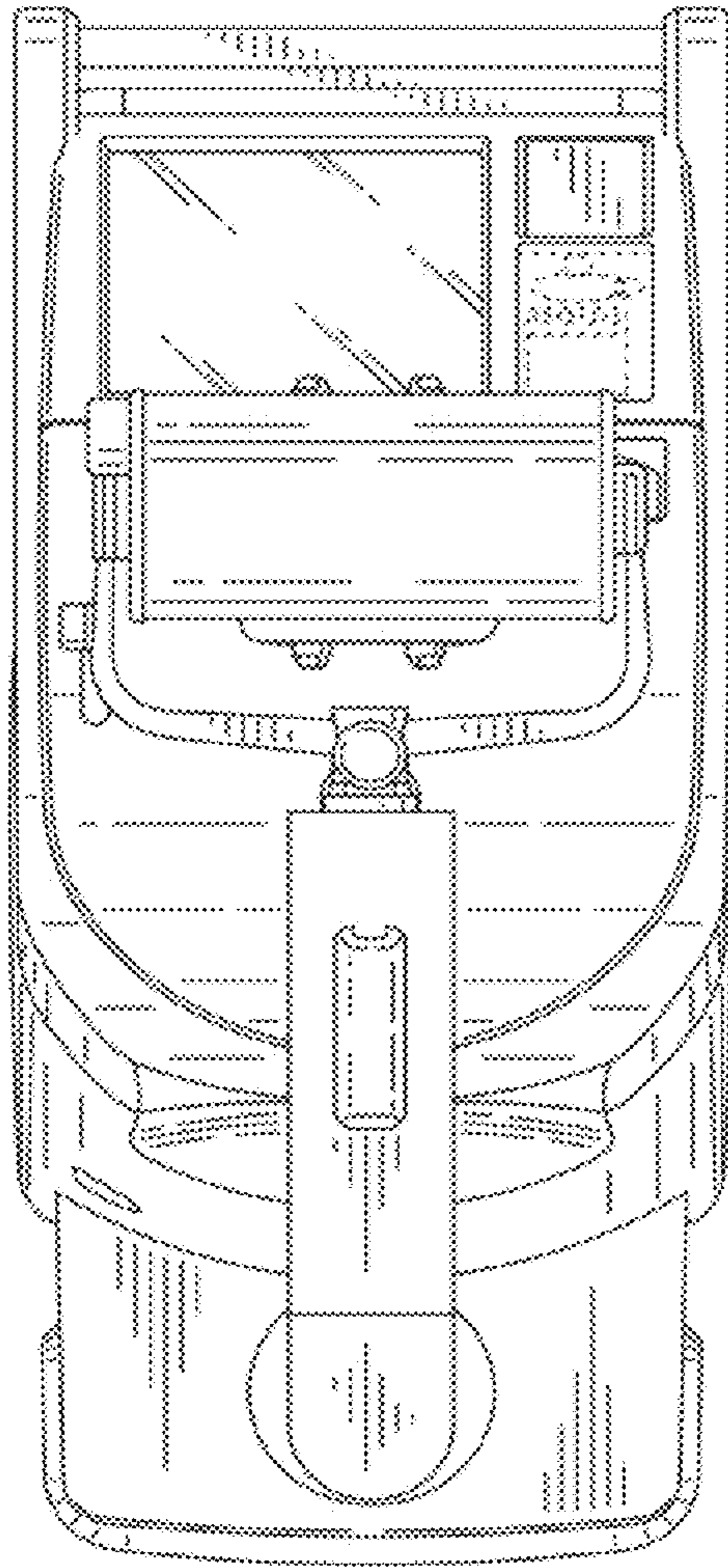


FIG. 4

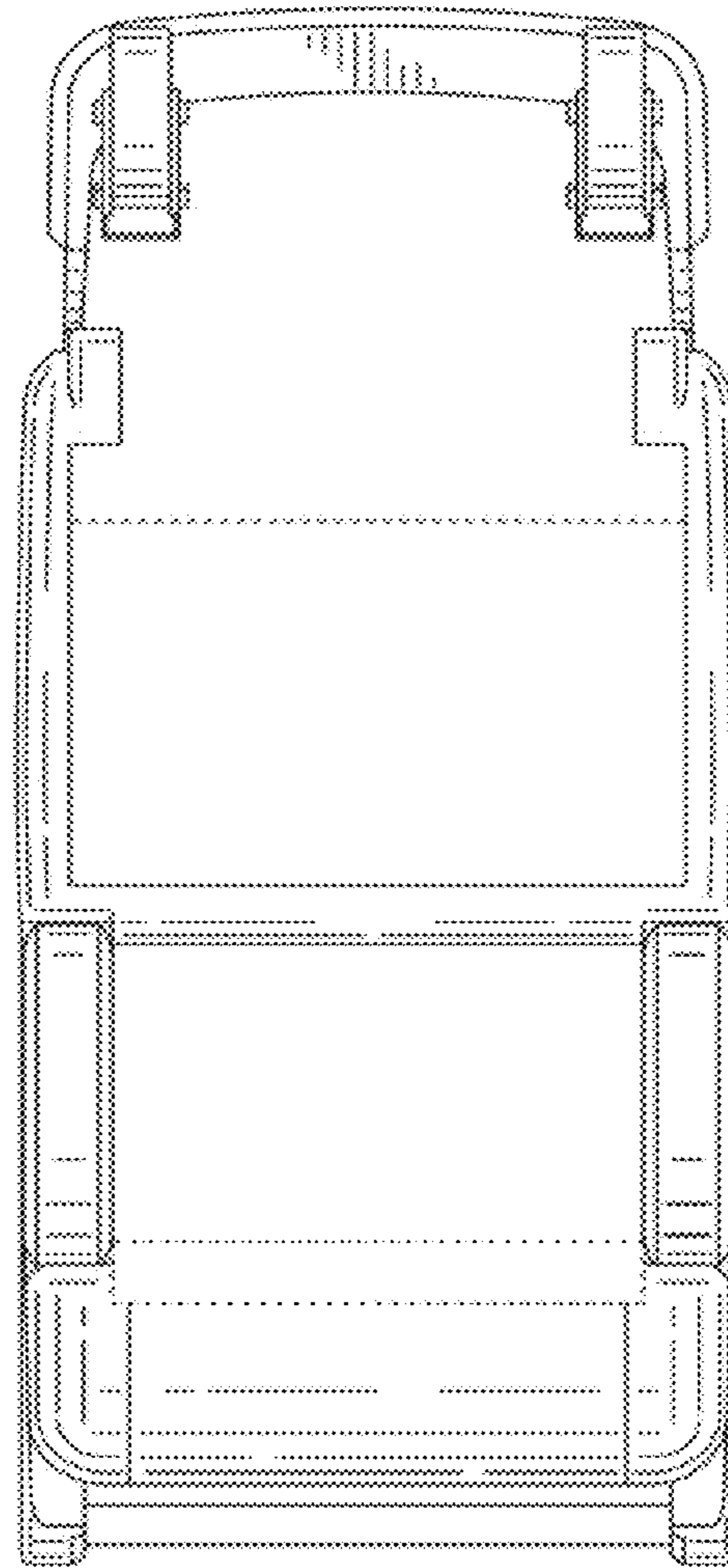


FIG. 5

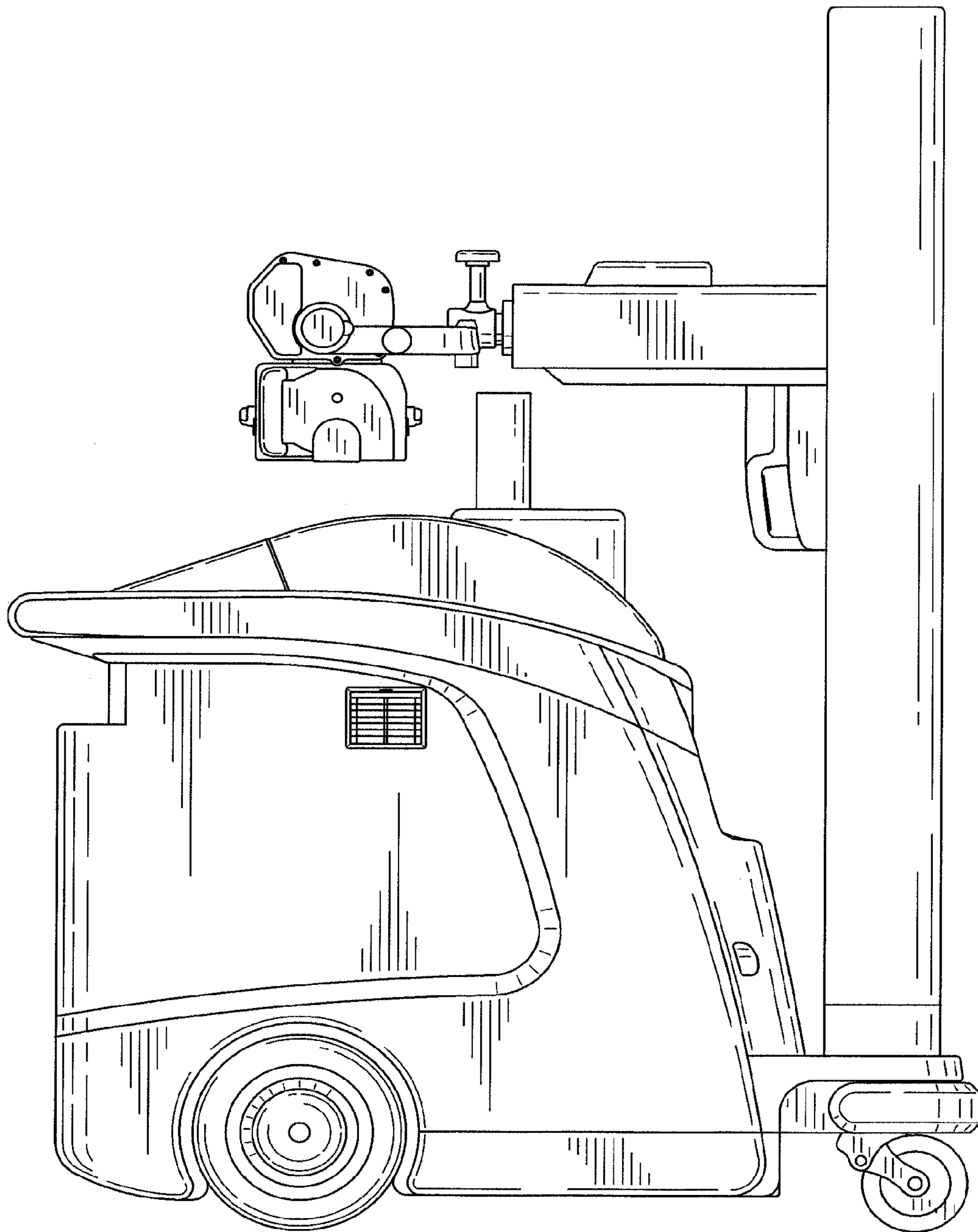


FIG. 6

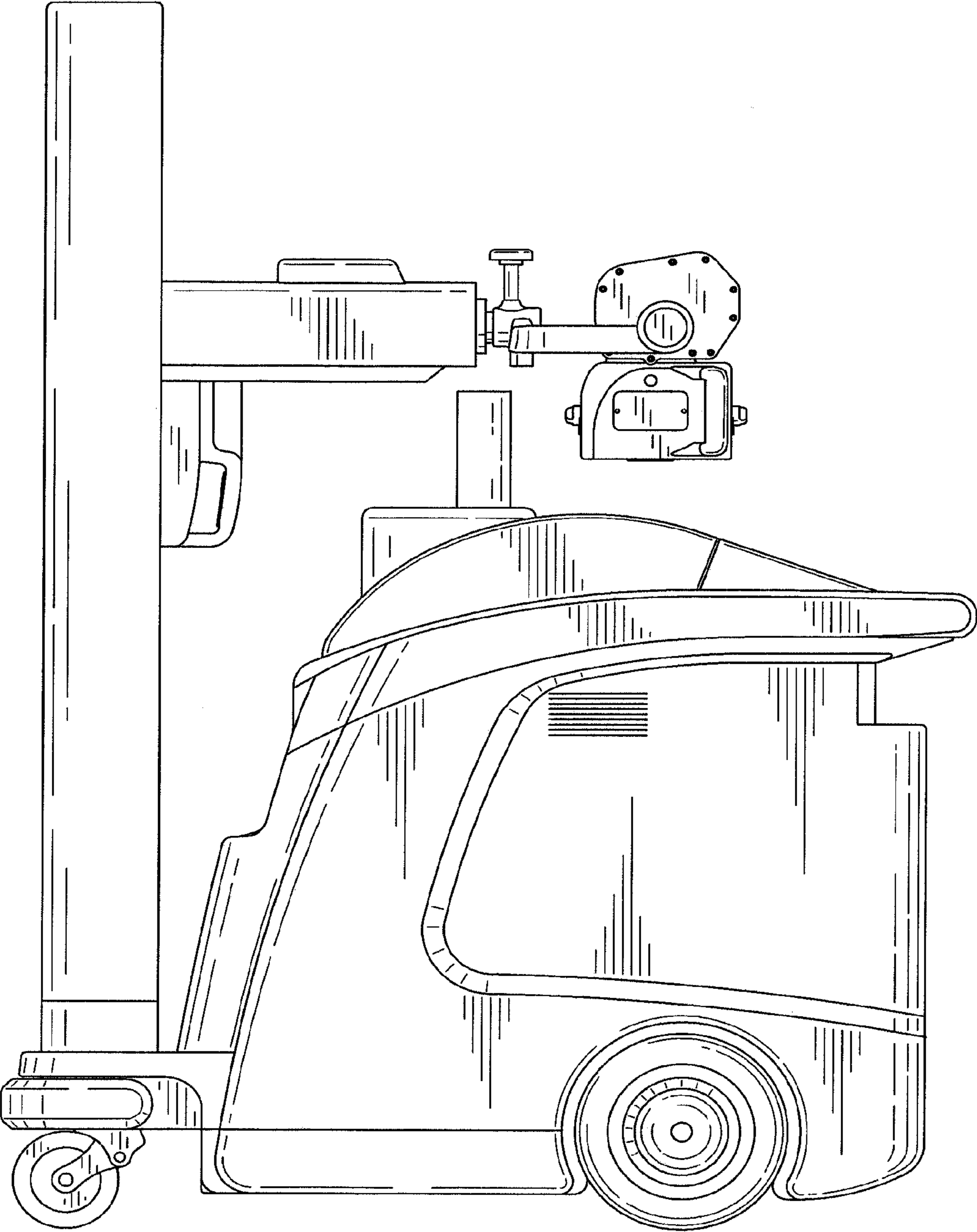


FIG. 7