



US00D657873S

(12) **United States Design Patent**
Khalil et al.

(10) **Patent No.:** **US D657,873 S**
(45) **Date of Patent:** **** Apr. 17, 2012**

(54) **INTRAMEDULLARY MEDICAL DEVICE**

(75) Inventors: **Heidi F. Khalil**, Atlanta, GA (US);
Kenneth A. Gall, Atlanta, GA (US);
James Kurt Jacobus, Atlanta, GA (US)

(73) Assignee: **Medshape Solutions, Inc.**, Atlanta, GA (US)

(**) Term: **14 Years**

(21) Appl. No.: **29/356,681**

(22) Filed: **Mar. 1, 2010**

Related U.S. Application Data

(63) Continuation of application No. 29/330,286, filed on Jan. 2, 2009, now Pat. No. Des. 611,145.

(51) **LOC (9) Cl.** **24-02**

(52) **U.S. Cl.** **D24/146**

(58) **Field of Classification Search** D24/133,
D24/145-147, 155; 606/53, 60, 62, 64, 67,
606/80, 95, 170

See application file for complete search history.

(56) **References Cited**

U.S. PATENT DOCUMENTS

3,433,220	A *	3/1969	Zickel	606/67
4,827,917	A *	5/1989	Brumfield	606/64
5,034,013	A	7/1991	Kyle et al.	606/62
5,505,733	A *	4/1996	Justin et al.	606/62
5,505,734	A	4/1996	Canniggia et al.	606/64
D379,855	S	6/1997	Perry	D24/145
5,653,709	A *	8/1997	Frigg	606/64
5,658,287	A	8/1997	Hofmann et al.	606/64
5,766,174	A	6/1998	Perry	606/62
5,855,579	A	1/1999	James et al.	606/62
5,928,235	A *	7/1999	Friedl	606/64
6,123,708	A	9/2000	Kilpela et al.	606/62
6,168,595	B1	1/2001	Durham et al.	606/64

6,228,086	B1 *	5/2001	Wahl et al.	606/67
6,261,290	B1	7/2001	Friedl	606/64
6,488,684	B2	12/2002	Bramlet et al.	606/62
6,808,527	B2	10/2004	Lower et al.	606/62
6,921,400	B2	7/2005	Sohngen	606/64
7,455,673	B2 *	11/2008	Gotfried	606/62
D604,846	S	11/2009	Hinterman	D24/146
D611,225	S *	3/2010	Khalil et al.	D24/146
7,763,022	B2 *	7/2010	Speitling et al.	606/64
7,771,428	B2 *	8/2010	Siravo et al.	606/62
D625,818	S *	10/2010	Khalil et al.	D24/146
7,901,410	B2 *	3/2011	Bigdeli-Issazadeh et al.	..	606/62
2008/0287949	A1	11/2008	Keith et al.	606/62
2008/0300597	A1	12/2008	Morgan et al.	606/62
2010/0179551	A1 *	7/2010	Keller et al.	606/67
2010/0268229	A1 *	10/2010	Siravo et al.	606/64

* cited by examiner

Primary Examiner — Wan Laymon

(74) *Attorney, Agent, or Firm* — Greenberg Traurig, LLP

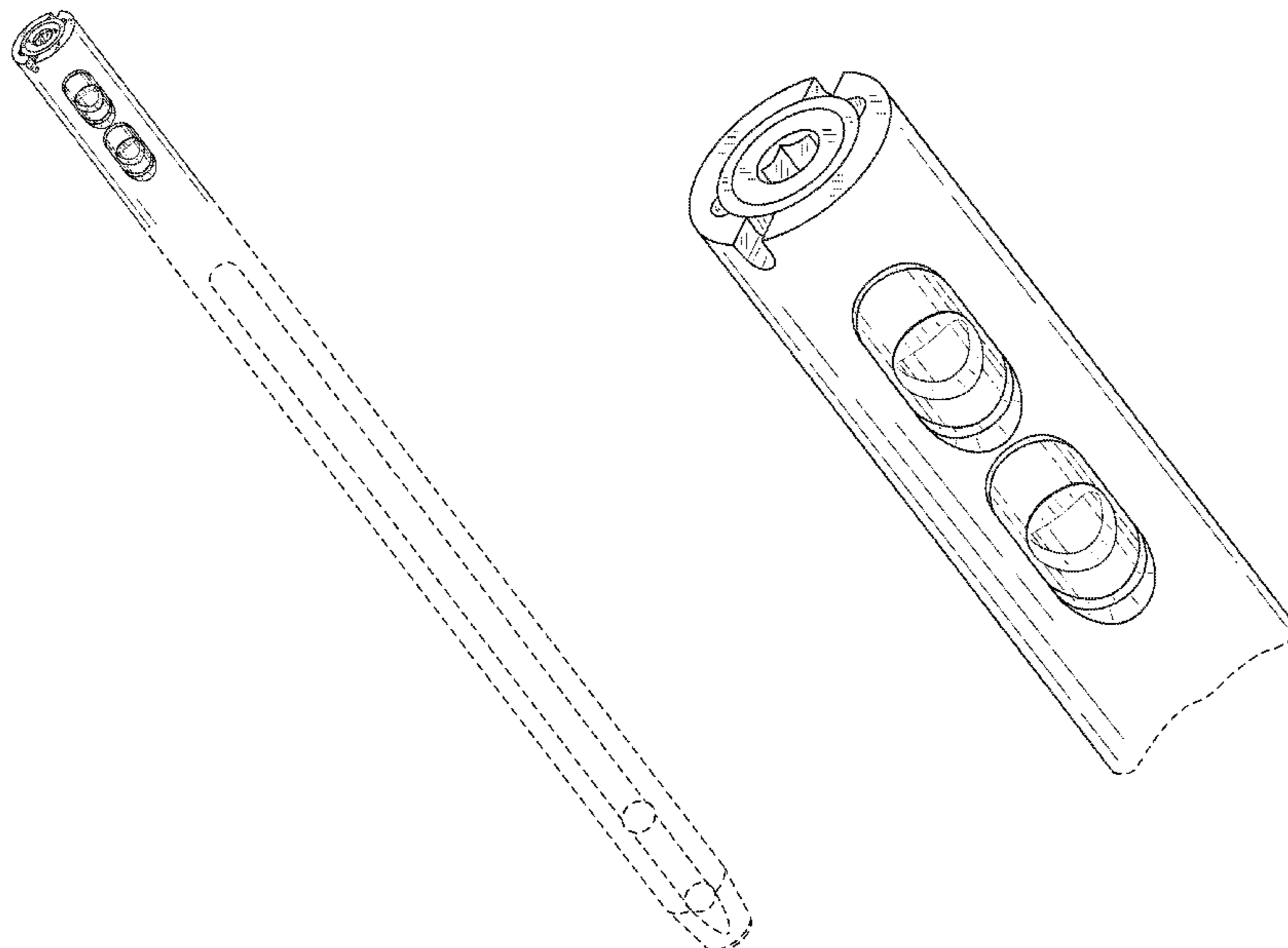
(57) **CLAIM**

The ornamental design for an intramedullary medical device, as shown and described.

DESCRIPTION

FIG. 1 is a perspective view of a new design for an intramedullary medical device;
FIG. 2 is an enlarged fragmentary perspective view of the proximal region thereof taken from "FIG. 2" in FIG. 1;
FIG. 3 is a front side view thereof, the rear side view thereof being identical in appearance;
FIG. 4 is a right side view thereof, the left side view thereof being identical in appearance;
FIG. 5 is an enlarged bottom view thereof; and,
FIG. 6 is an enlarged top view thereof.
The broken line showing portion of the intramedullary medical device is included for illustrating environmental structure and forms no part of the claimed design.

1 Claim, 4 Drawing Sheets



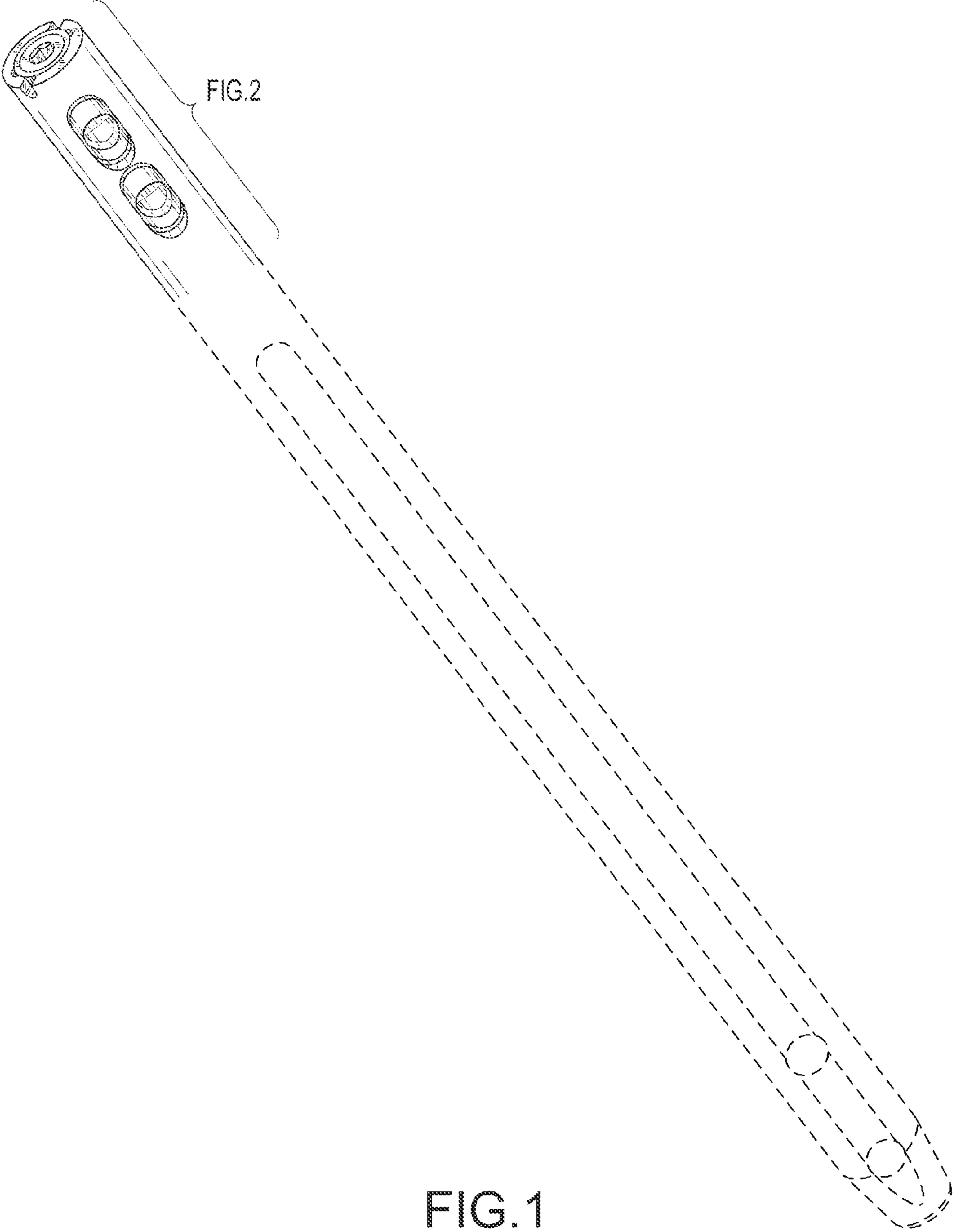


FIG. 1

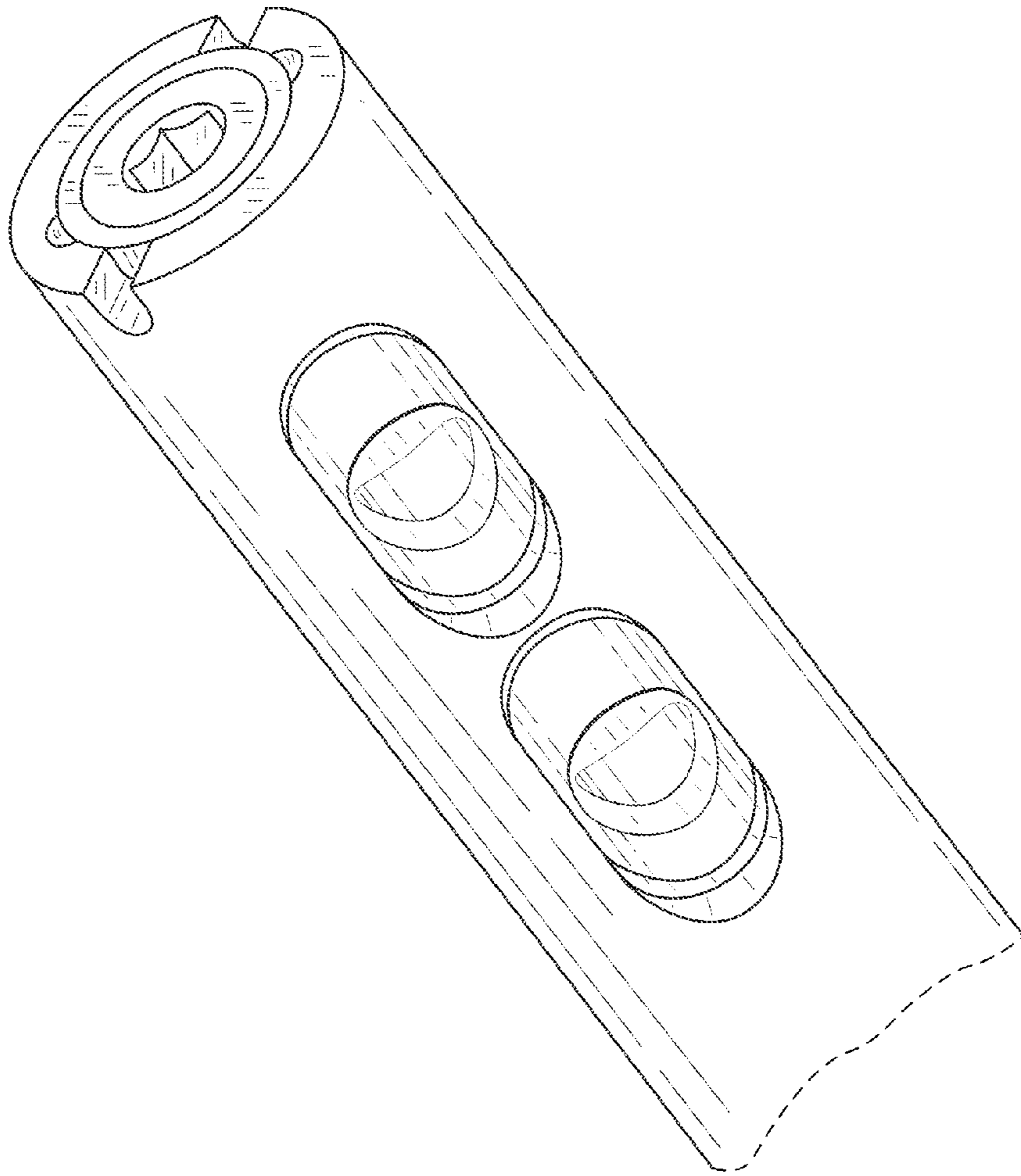


FIG.2

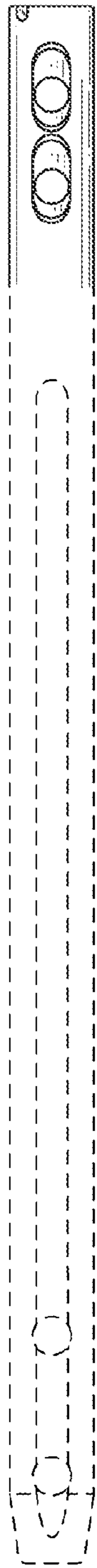


FIG. 3



FIG. 4

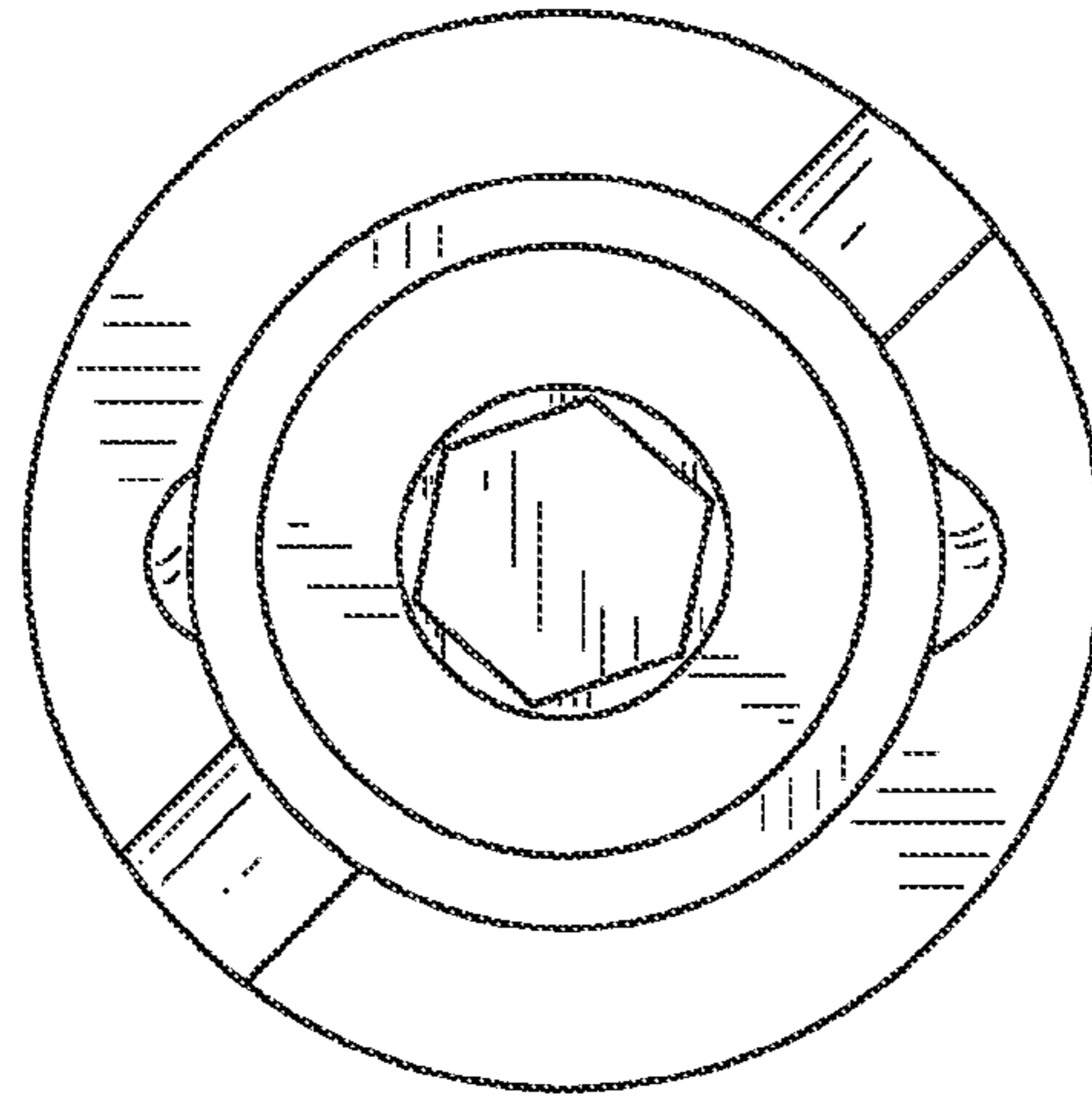


FIG. 5

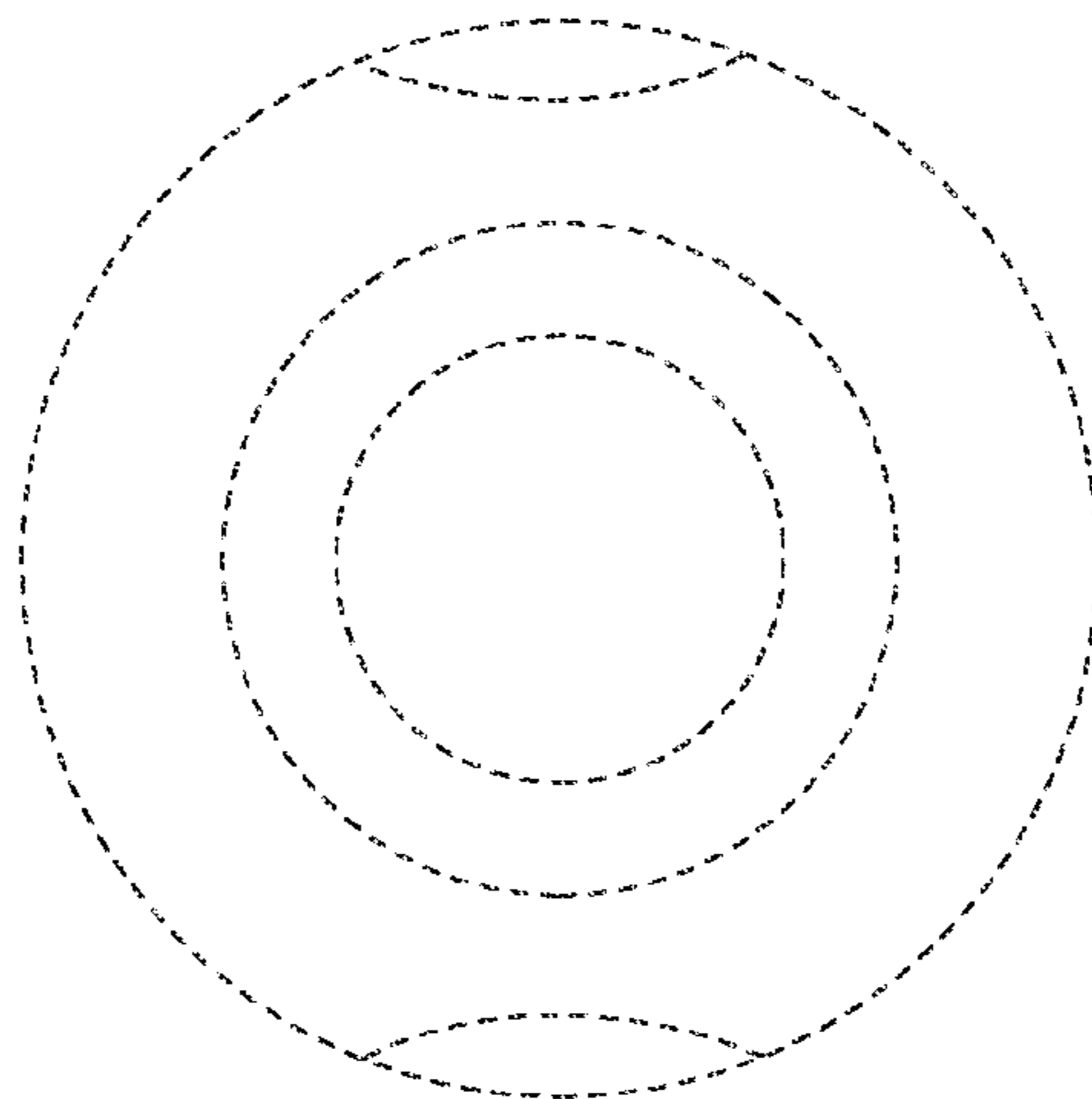


FIG. 6