



US00D657871S

(12) **United States Design Patent**
Hesseling

(10) **Patent No.:** **US D657,871 S**

(45) **Date of Patent:** **** Apr. 17, 2012**

(54) **FORCEPS INSERT**

(75) Inventor: **Mathias Hesseling**, Wuppertal (DE)

(73) Assignee: **Karl Storz GmbH & Co. KG** (DE)

(**) Term: **14 Years**

(21) Appl. No.: **29/394,890**

(22) Filed: **Jun. 22, 2011**

(30) **Foreign Application Priority Data**

Dec. 23, 2010 (EM) 001798331-0007

(51) **LOC (9) Cl.** **24-02**

(52) **U.S. Cl.** **D24/143; D24/148**

(58) **Field of Classification Search** D24/133,
D24/143-148, 153; 606/45, 49-52, 148,
606/167, 170-172, 205-208

See application file for complete search history.

(56) **References Cited**

U.S. PATENT DOCUMENTS

6,669,696	B2 *	12/2003	Bacher et al.	606/51
6,951,560	B1 *	10/2005	Kidooka	606/51
6,960,210	B2 *	11/2005	Lands et al.	606/50
6,964,662	B2 *	11/2005	Kidooka	606/52
D545,432	S *	6/2007	Watanabe	D24/143
7,628,791	B2 *	12/2009	Garrison et al.	606/51
D610,680	S *	2/2010	Blocher	D24/133
7,686,804	B2 *	3/2010	Johnson et al.	606/51
7,846,161	B2 *	12/2010	Dumbauld et al.	606/51
D648,434	S *	11/2011	Uyama	D24/143
2002/0188316	A1 *	12/2002	Dingler	606/205

OTHER PUBLICATIONS

Karl Storz 34520BF Biopsy Forceps Insert, 1 page, [on line], [retrieved on Nov. 30, 2011]. Retrieved from the Internet <[http://www.google.com/images?q=forceps+insert&um=1&hl=en&biw=1600&bih=945&t...>](http://www.google.com/images?q=forceps+insert&um=1&hl=en&biw=1600&bih=945&t...).*

Storz—Storz—Endoskope; “New RoBi® Forceps Inserts Acc. to Malzoni and Wattiez”; retrieved online via www.karlstorz.de on May 5, 2011; 2 pages.

Storz—Karl Storz Endoskope; “RoBi® Instruments—Rotating Bipolar Grasping Forceps and Scissors”; retrieved online via www.karlstorz.de on May 30, 2011; 2 pages.

Storz—Karl Storz Endoskope; “RoBi® Instruments Rotating Bipolar Grasping Forceps and Scissors, Lermont-Ferrand Model”; Endoworld Feb. 2011; 12 pages.

Storz—Karl Storz Endoskope; “RoBi® Zangeneinsatz” publication/retrieval date not available; 1 page.

* cited by examiner

Primary Examiner — Wan Laymon

(74) *Attorney, Agent, or Firm* — St. Onge Steward Johnston & Reens LLC

(57) **CLAIM**

The ornamental design for a forceps insert, as shown and described.

DESCRIPTION

FIG. 1 is a front right side perspective view of forceps insert in accordance with the new design;

FIG. 2 is a right side isometric view thereof;

FIG. 3 is a top isometric view thereof;

FIG. 4 is a bottom isometric view thereof;

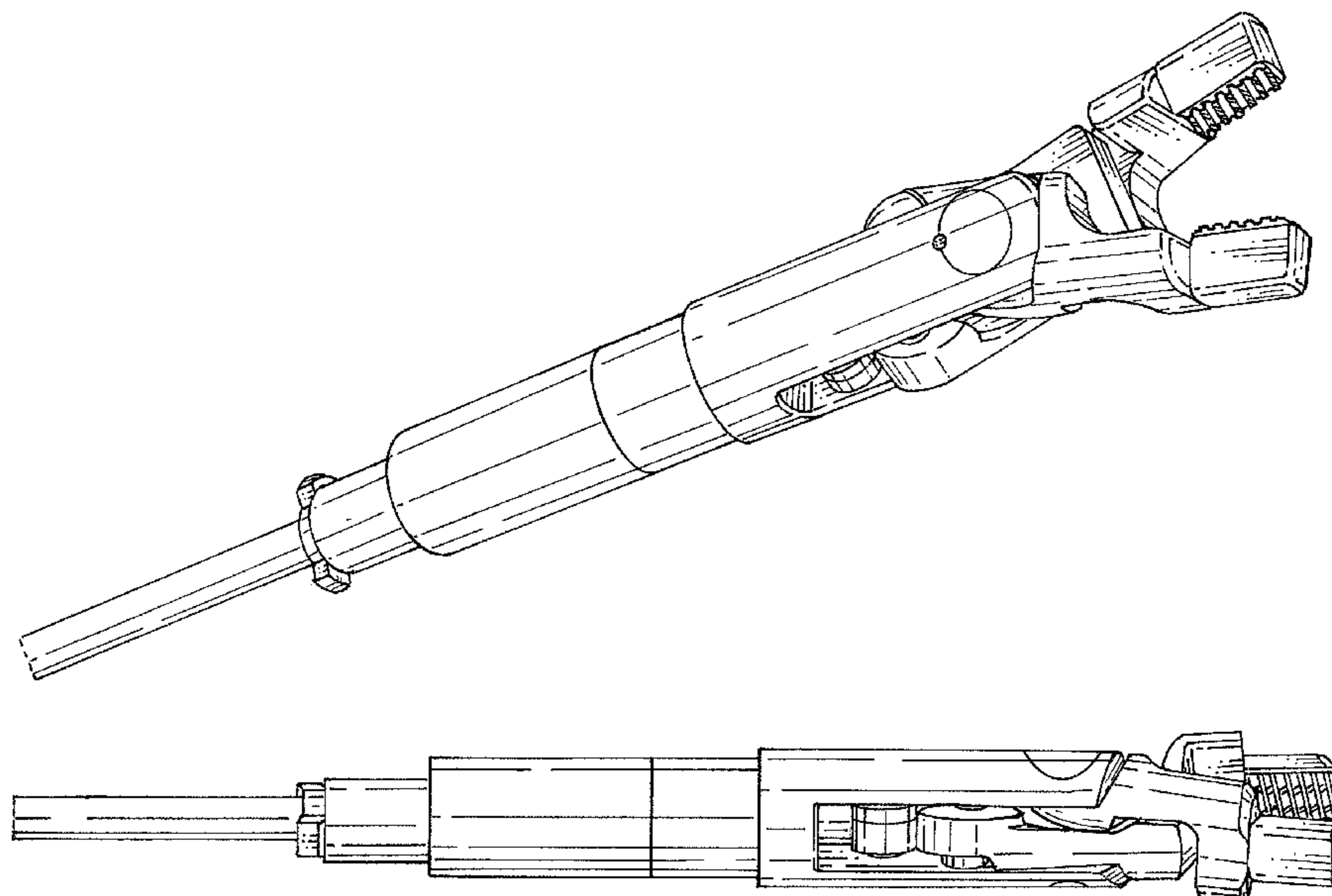
FIG. 5 is a front isometric view thereof;

FIG. 6 is a rear isometric view thereof; and,

FIG. 7 is a left side isometric view thereof.

The cannula is shown broken along the length in FIGS. 1-7 to indicate indeterminate length. The examiner finds the claim definite with the understanding that the “indeterminate” portion of the cannula forms no part of the claimed design. Patentability is based only upon on those portions of the claim that is shown in solid lines.

1 Claim, 7 Drawing Sheets



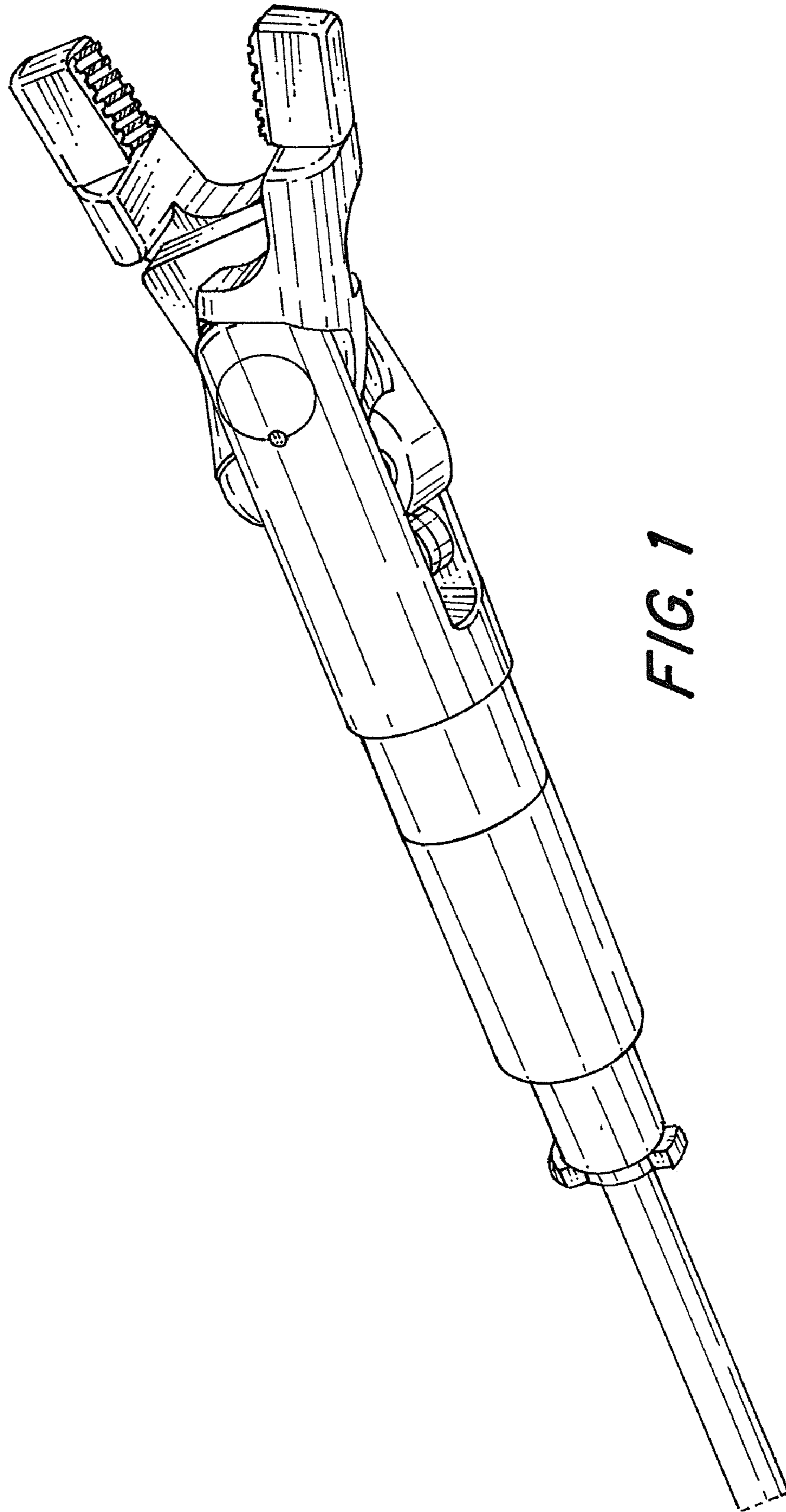


FIG. 1

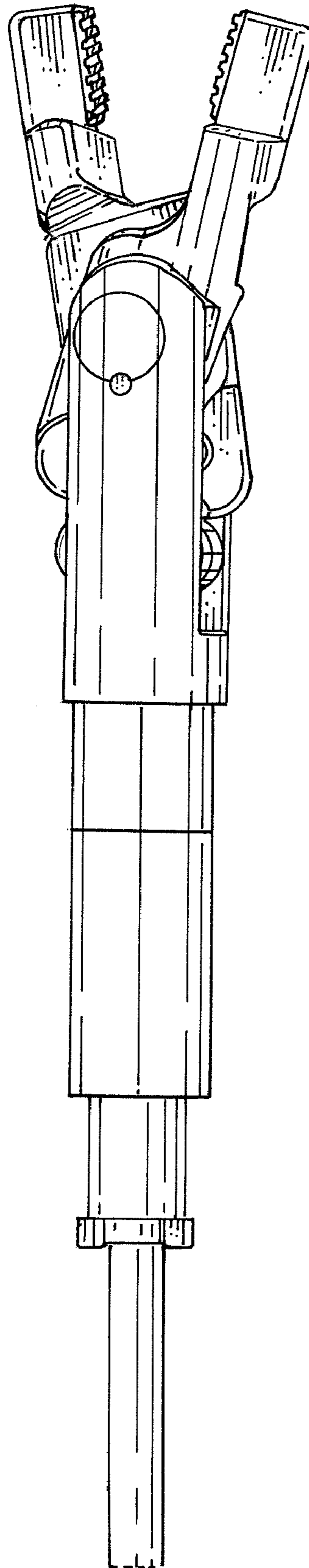


FIG. 2

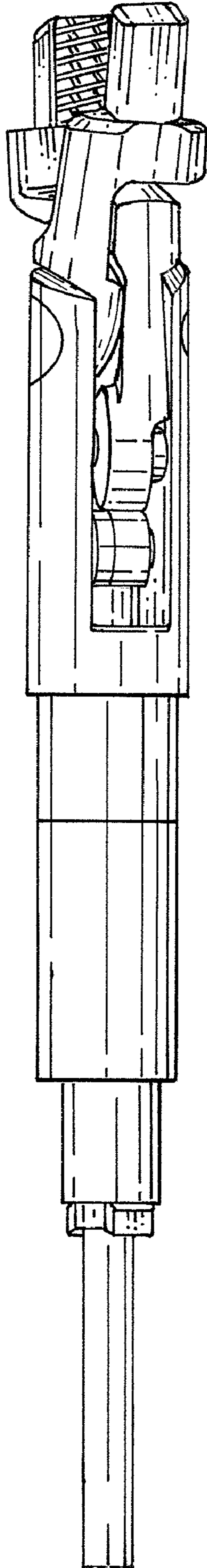


FIG. 3

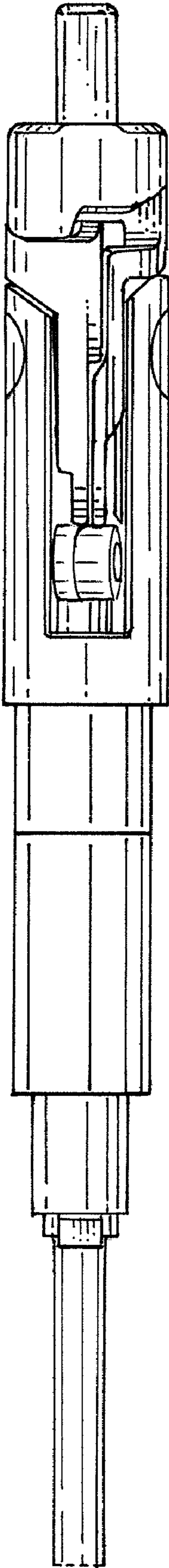


FIG. 4

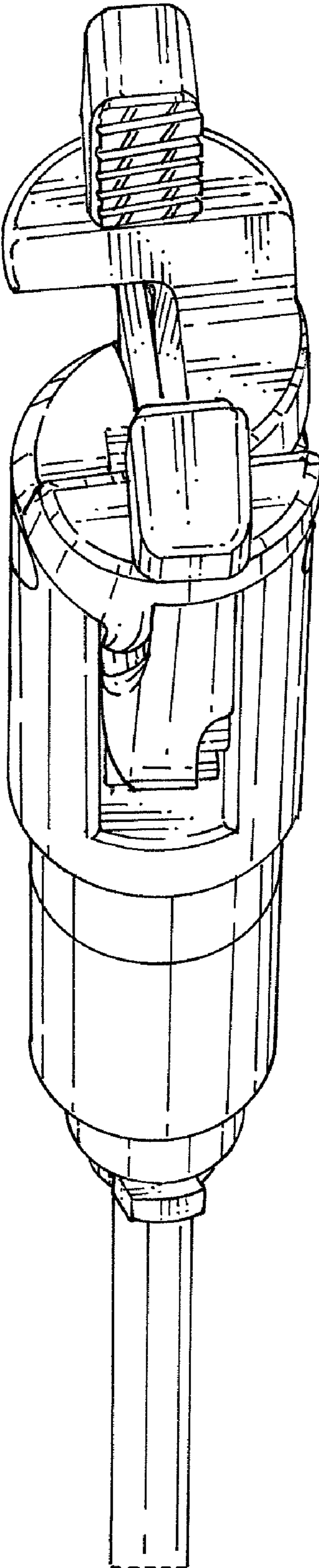


FIG. 5

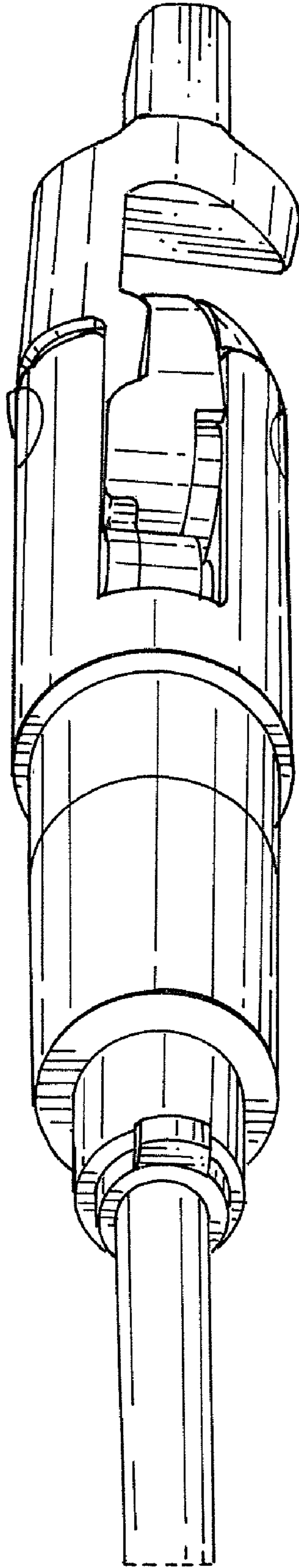


FIG. 6

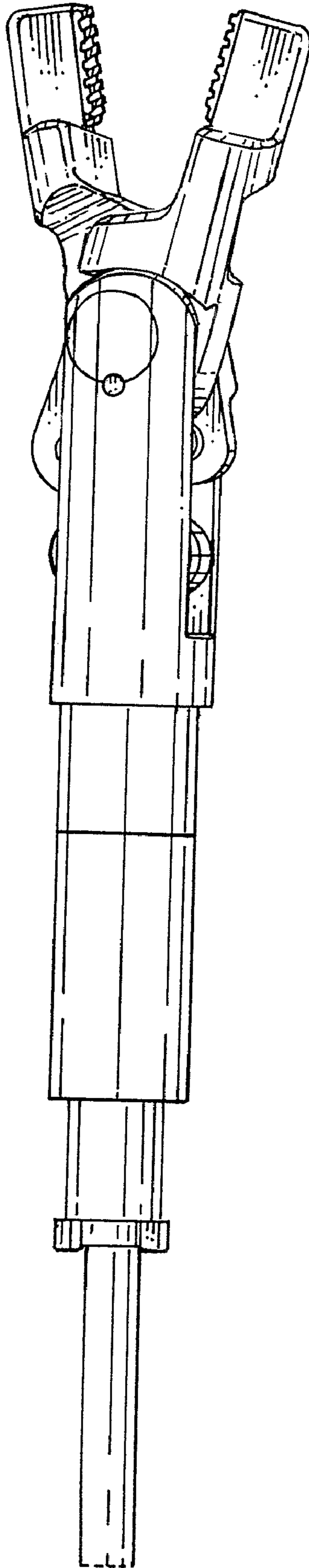


FIG. 7