



US00D657870S

(12) **United States Design Patent**
Becker

(10) **Patent No.:** **US D657,870 S**

(45) **Date of Patent:** **** Apr. 17, 2012**

(54) **OPTICAL BLOCK FOR AN ENDOSCOPE**

(75) Inventor: **Wolfram Becker**, Laer (DE)

(73) Assignee: **Karl Storz GmbH & Co. KG** (DE)

(**) Term: **14 Years**

(21) Appl. No.: **29/378,693**

(22) Filed: **Nov. 8, 2010**

(30) **Foreign Application Priority Data**

May 7, 2010 (EM) 001705849-0004

(51) **LOC (9) Cl.** **24-02**

(52) **U.S. Cl.** **D24/138**

(58) **Field of Classification Search** D24/138,
D24/137, 133; 600/101-183

See application file for complete search history.

(56) **References Cited**

U.S. PATENT DOCUMENTS

6,201,649	B1 *	3/2001	Rudischhauser et al.	359/808
6,743,166	B2 *	6/2004	Berci et al.	600/120
D585,923	S *	2/2009	Berci	D16/130
D598,099	S *	8/2009	Halbig	D24/138
D611,600	S *	3/2010	Stammberger et al.	D24/138
D612,497	S *	3/2010	Berci	D24/138

D637,718 S * 5/2011 Eisenkolb D24/138

D637,719 S * 5/2011 Eisenkolb D24/138

D638,542 S * 5/2011 Eisenkolb D24/138

D639,429 S * 6/2011 Speiser D24/138

2007/0088200 A1 * 4/2007 Dahmen et al. 600/182

2010/0022838 A1 * 1/2010 Hoeg 600/131

* cited by examiner

Primary Examiner — Bridget L Eland

(74) *Attorney, Agent, or Firm* — St. Onge Steward Johnston & Reens LLC

(57) **CLAIM**

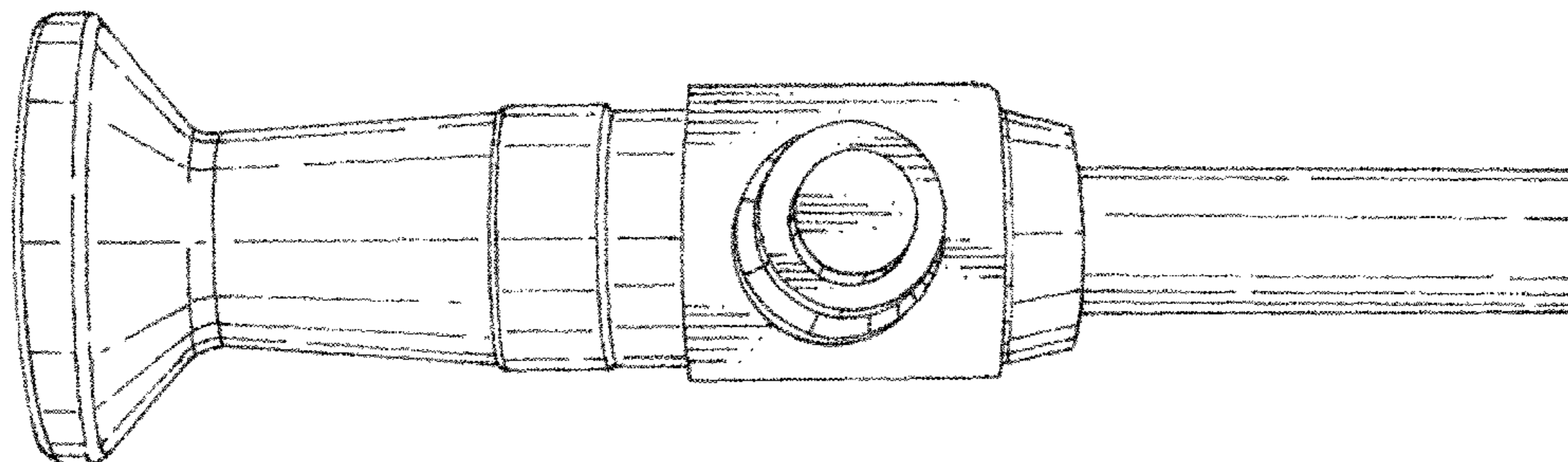
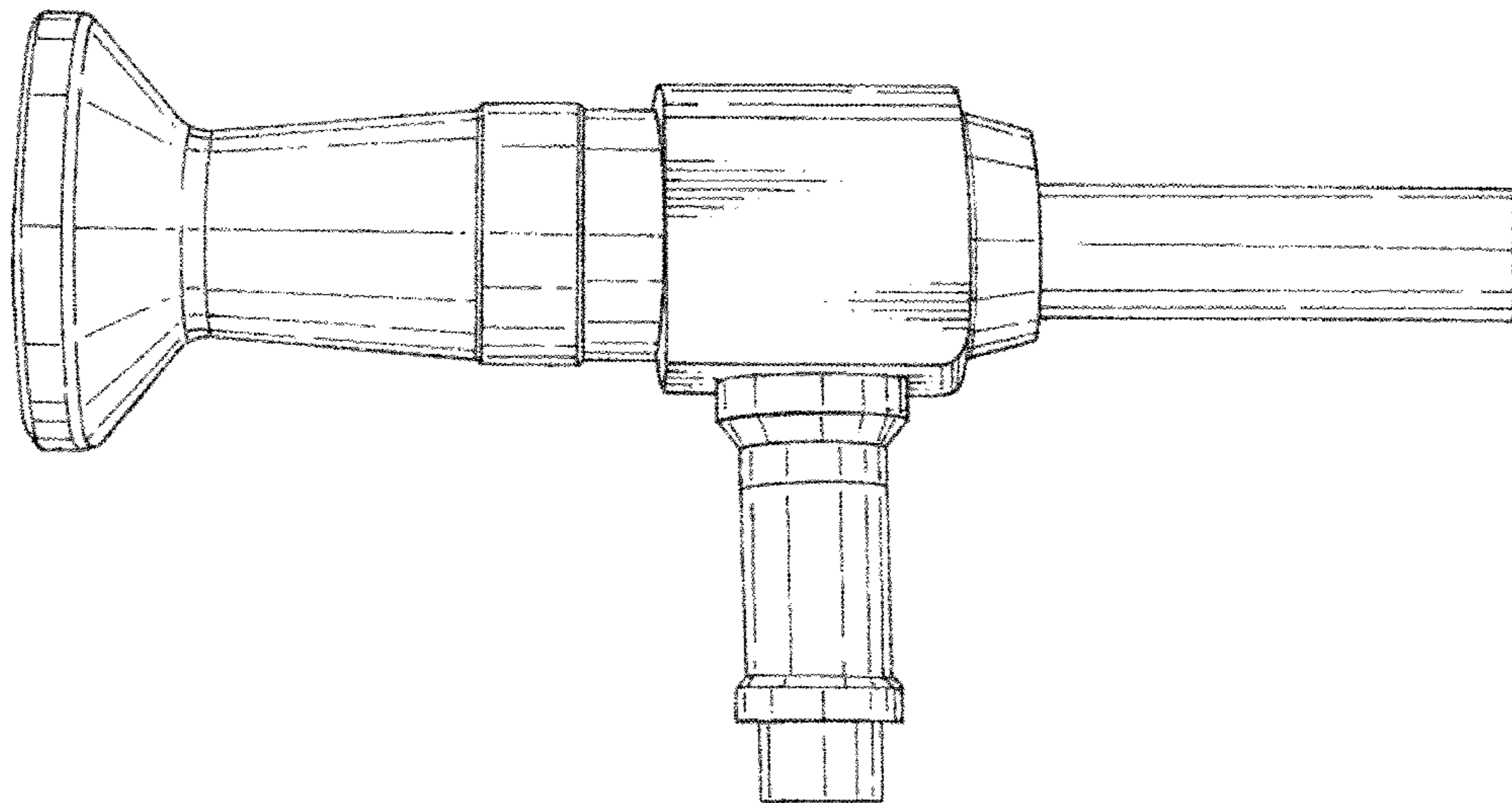
The ornamental design for an optical block for an endoscope, as shown and described.

DESCRIPTION

FIG. 1 is a left side perspective view of an optical block for an endoscope in accordance with the new design; FIG. 2 is a left side isometric view thereof; FIG. 3 is a top isometric view thereof; FIG. 4 is a right side isometric view thereof; FIG. 5 is a bottom isometric view thereof; FIG. 6 is a front isometric view thereof; and, FIG. 7 is a rear isometric view thereof.

The broken lines shown in FIGS. 1-7 represent the bounds of the claimed design and form no part of the claimed design.

1 Claim, 7 Drawing Sheets



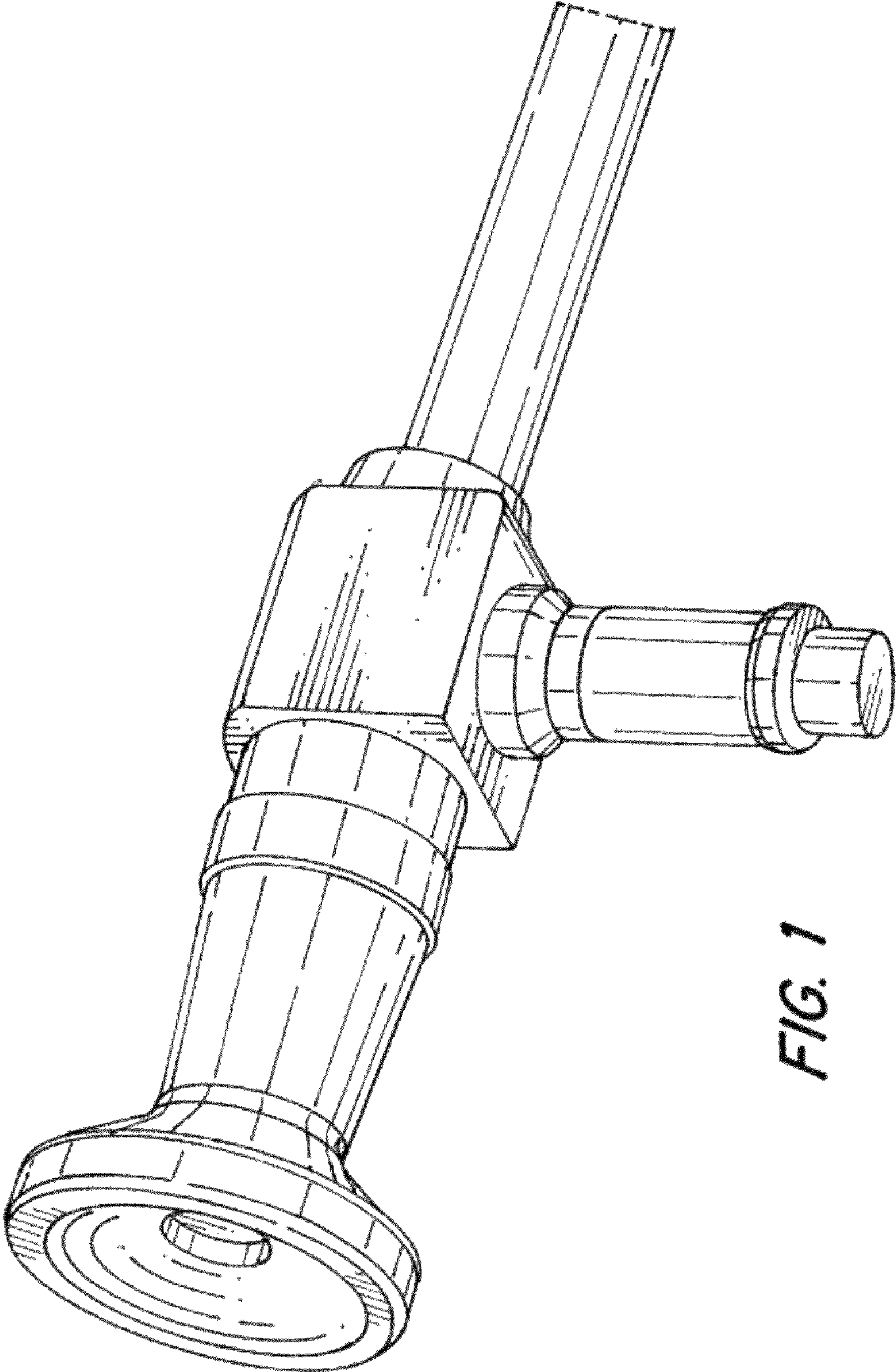


FIG. 1

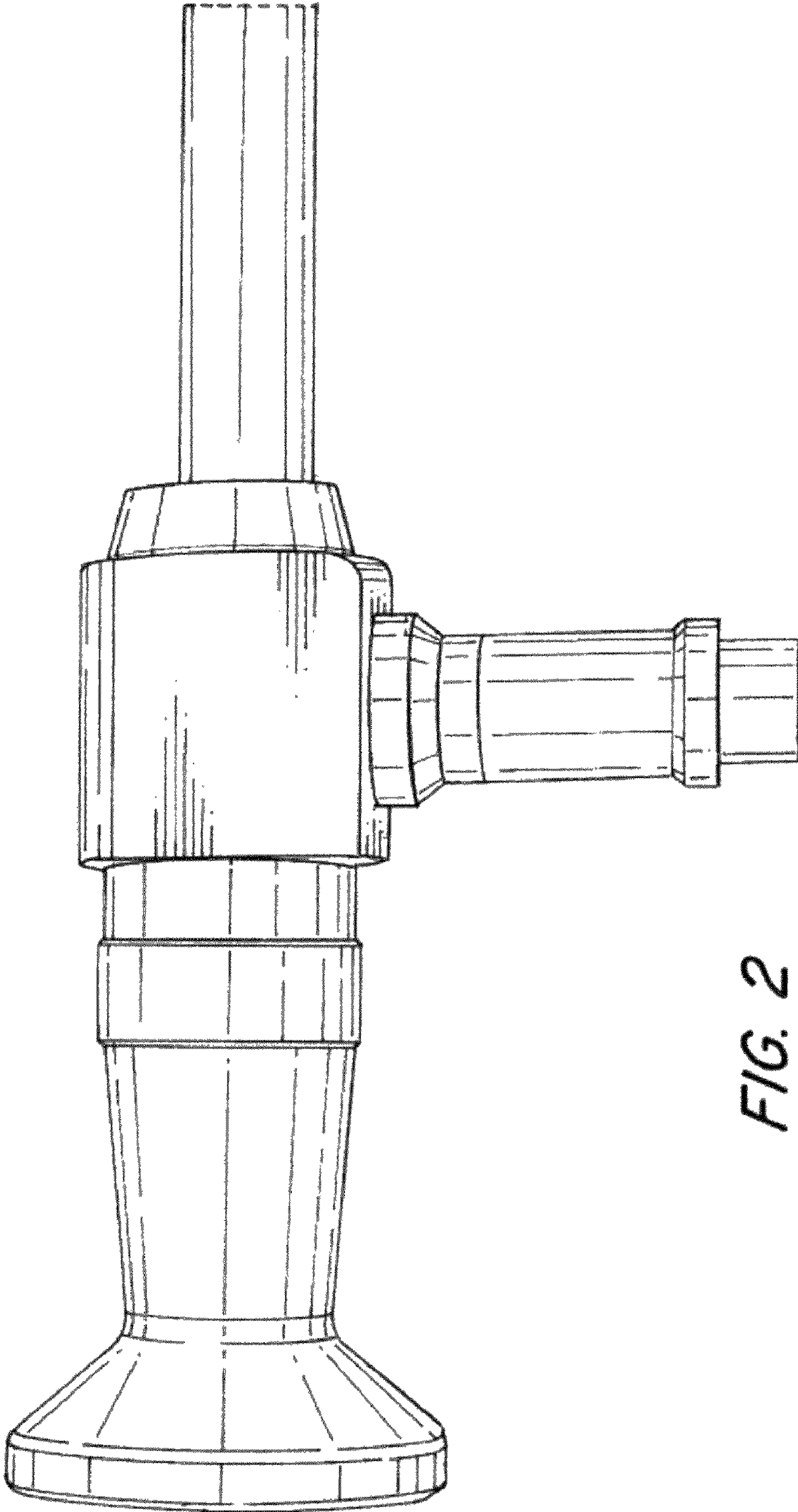


FIG. 2

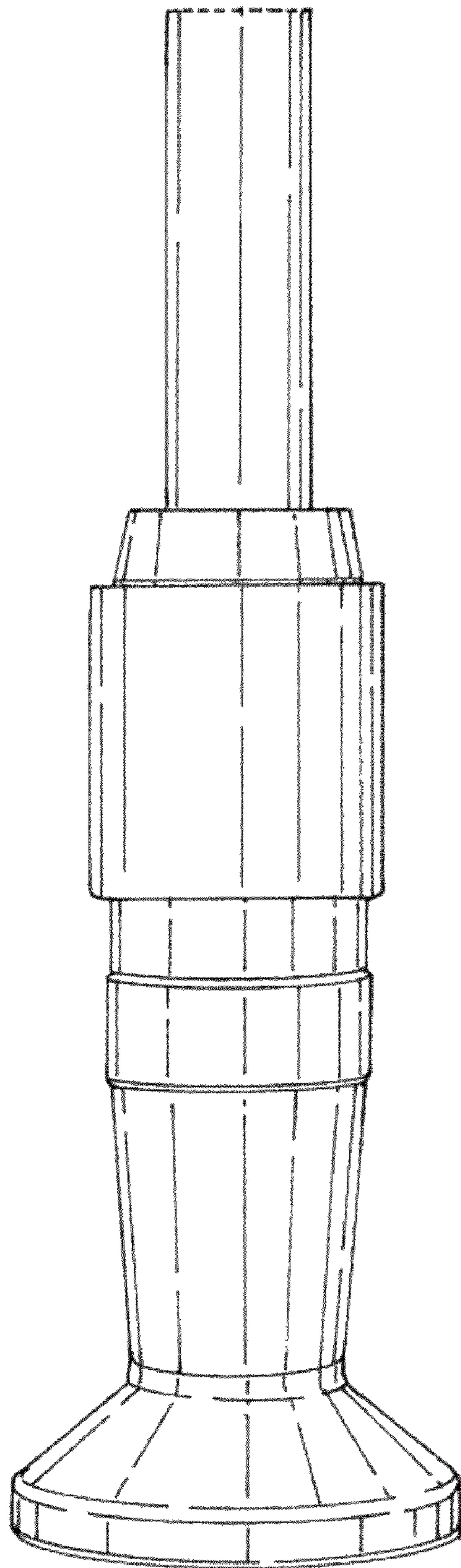


FIG. 3

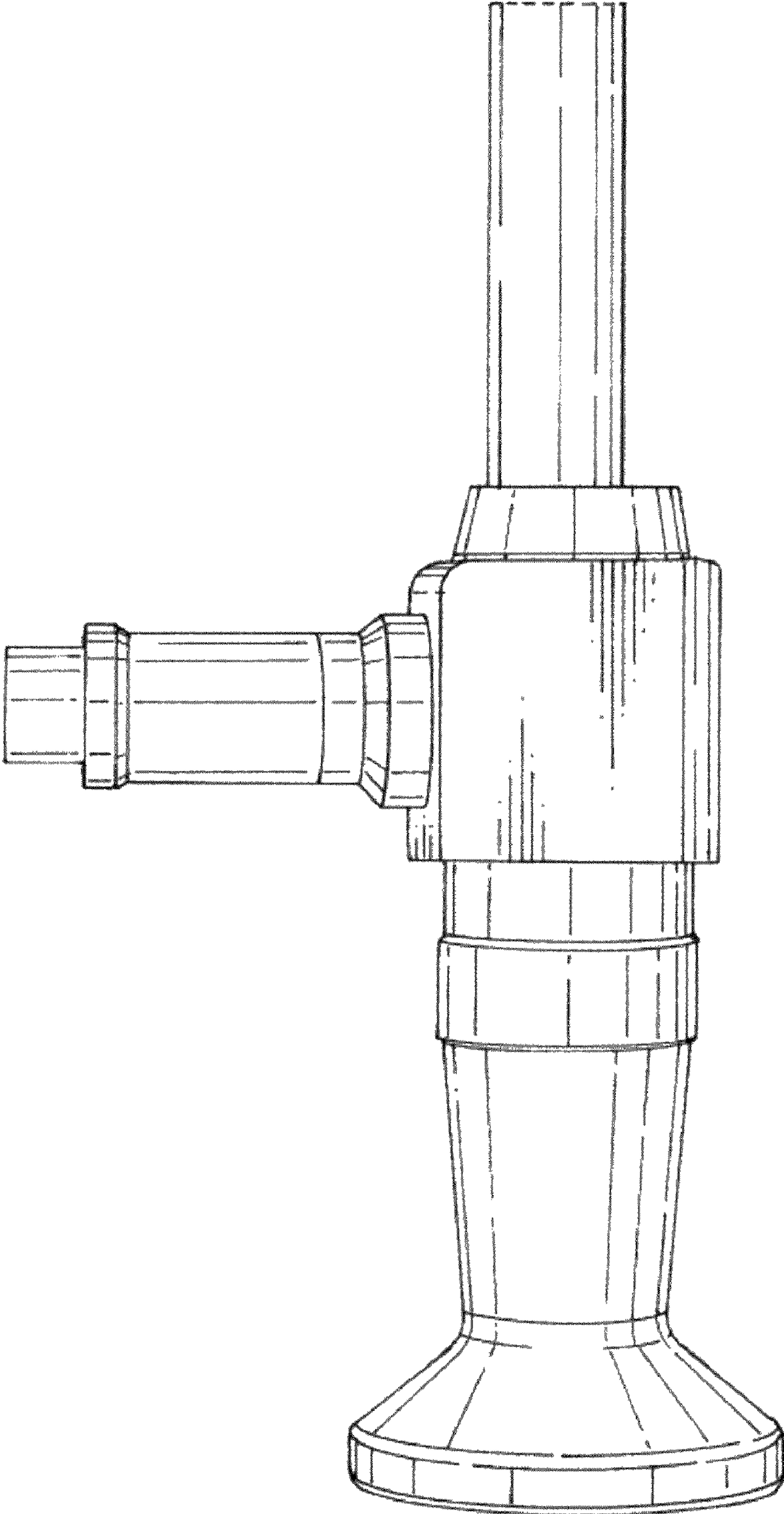


FIG. 4

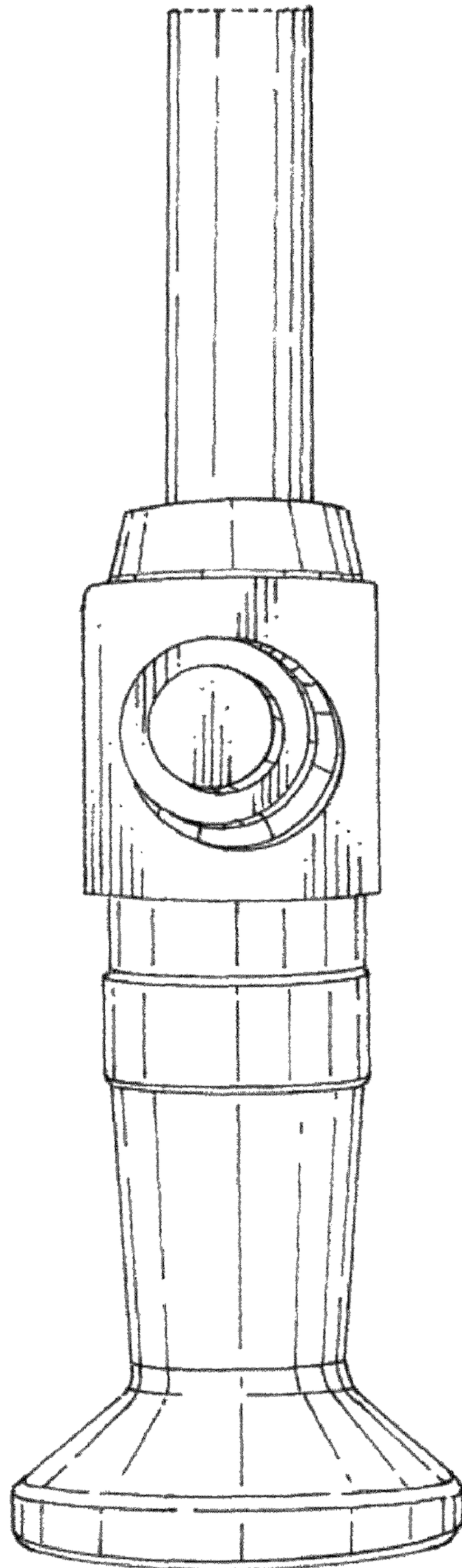


FIG. 5

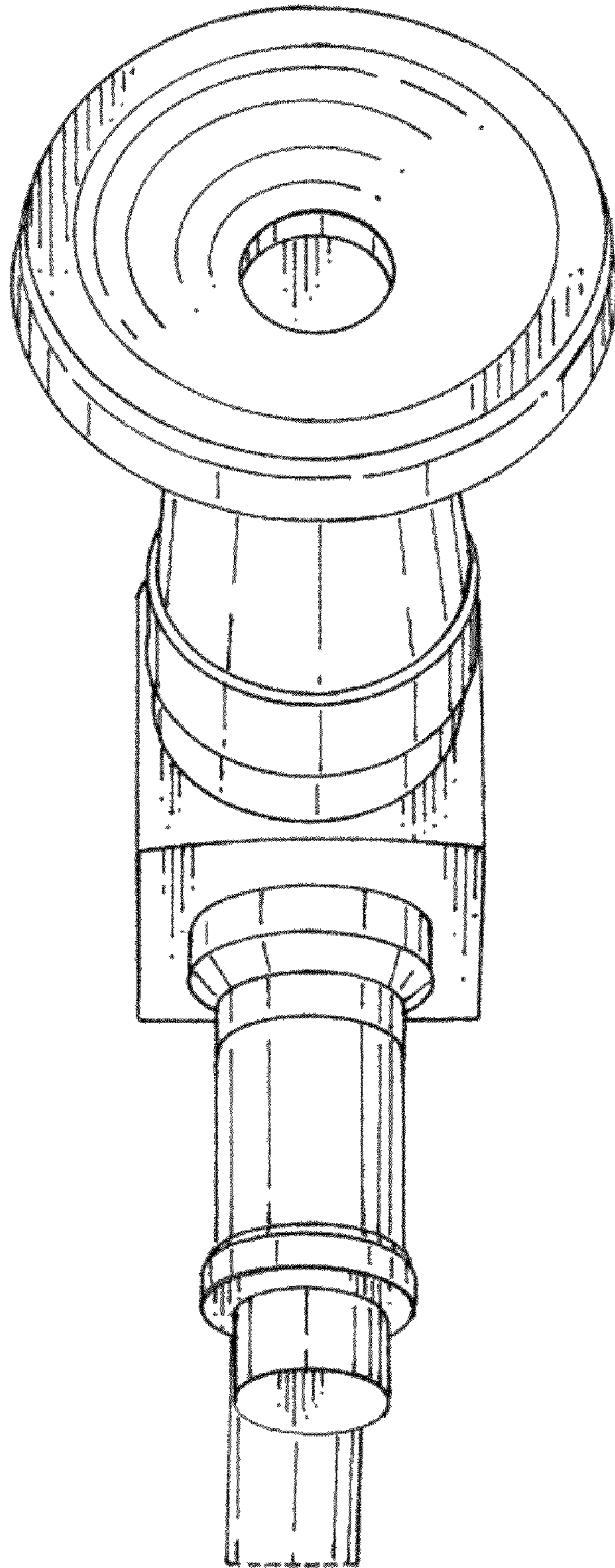


FIG. 6

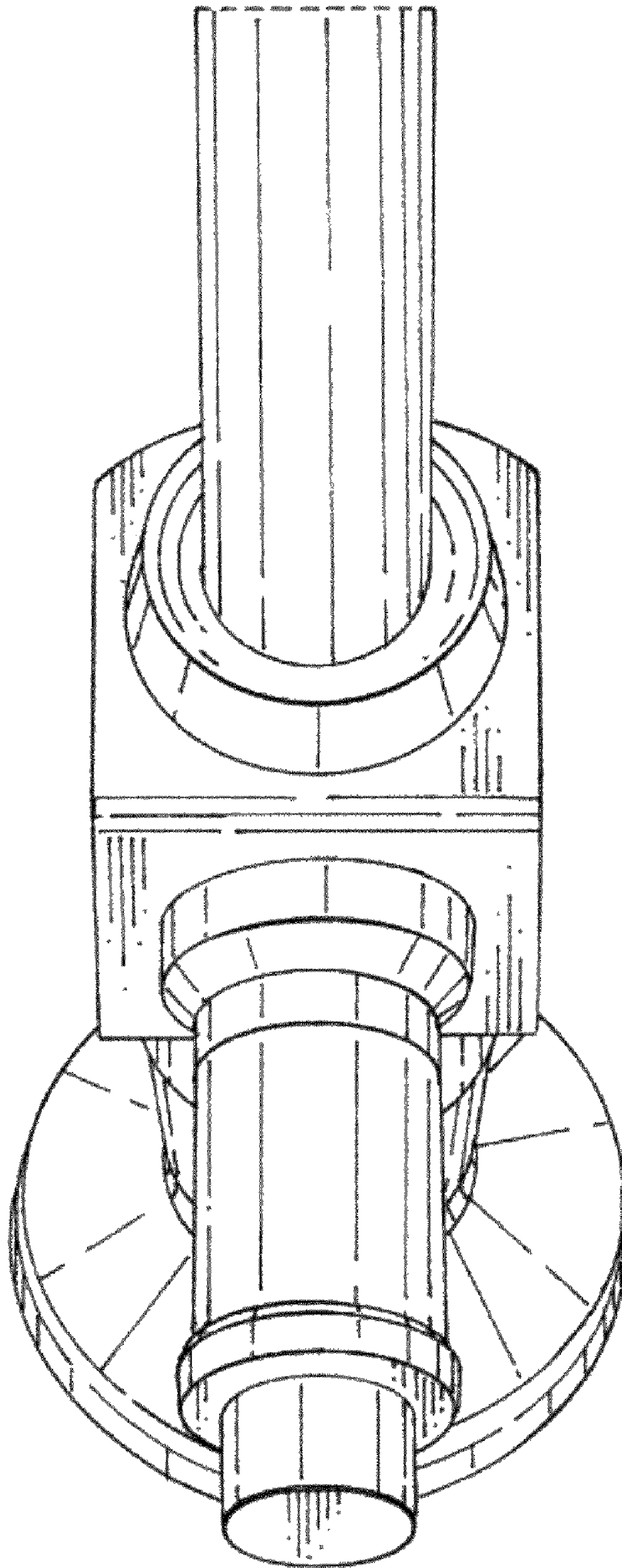


FIG. 7