



US00D657865S

(12) **United States Design Patent**
Williams

(10) **Patent No.:** **US D657,865 S**

(45) **Date of Patent:** **** Apr. 17, 2012**

(54) **CARTRIDGE FOR SURGICAL FLUID
MANAGEMENT SYSTEM**

5,800,383 A 9/1998 Chandler et al. 604/35
5,810,770 A 9/1998 Chin et al. 604/65
5,875,282 A 2/1999 Jordan et al. 392/470
D409,748 S * 5/1999 Lanigan et al. D24/127

(75) Inventor: **Jeffrey B. Williams**, Hudson, OH (US)

(Continued)

(73) Assignee: **Thermedx, LLC**, Solon, OH (US)

FOREIGN PATENT DOCUMENTS

(**) Term: **14 Years**

EP 0 776 670 6/1997

(Continued)

(21) Appl. No.: **29/357,184**

OTHER PUBLICATIONS

(22) Filed: **Mar. 8, 2010**

Ranger Blood/Fluid Warming, Ranger® Blood and Fluid Warming Systems Product Specifications, 2008.

(51) **LOC (9) Cl.** **24-02**

(52) **U.S. Cl.** **D24/111**

(58) **Field of Classification Search** D24/107,
D24/108, 11, 169, 231, 232; 604/29, 30,
604/34, 113, 114, 151, 153; 417/32, 474,
417/477.2

(Continued)

See application file for complete search history.

Primary Examiner — Ian Simmons

Assistant Examiner — Christopher Lee

(74) *Attorney, Agent, or Firm* — Kusner & Jaffe

(56) **References Cited**

(57) **CLAIM**

The ornamental design for a cartridge for surgical fluid management system, as shown and described.

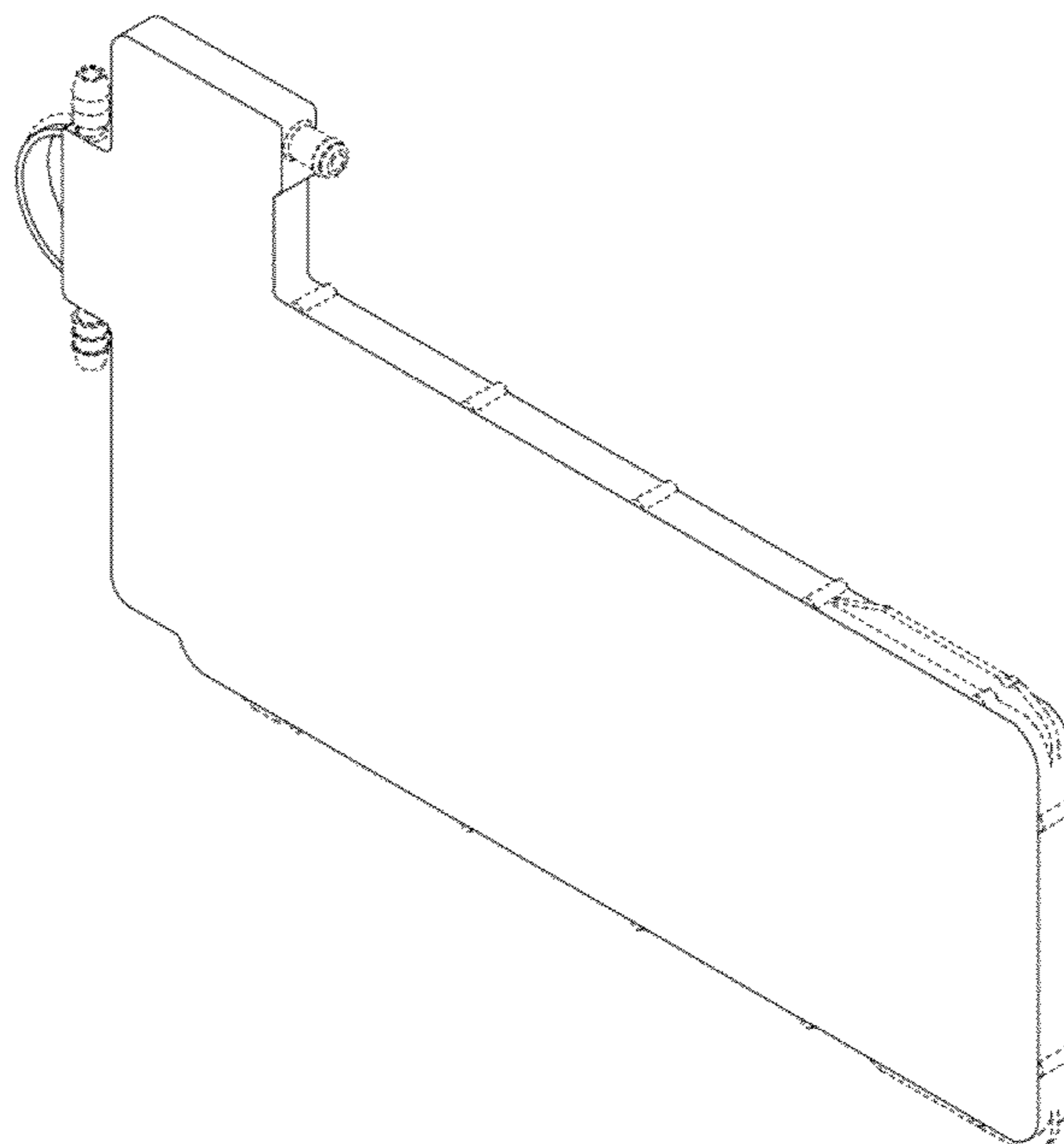
U.S. PATENT DOCUMENTS

DESCRIPTION

3,475,590 A	10/1969	Pins	392/470
4,464,563 A	8/1984	Jewett	219/298
4,574,876 A	3/1986	Aid	165/46
5,125,069 A	6/1992	O'Boyle	392/465
5,245,693 A	9/1993	Ford et al.	392/470
5,254,094 A	10/1993	Starkey et al.	604/113
D350,822 S *	9/1994	Lanigan	D24/111
5,381,510 A	1/1995	Ford et al.	392/470
D357,312 S *	4/1995	Riquier et al.	D24/111
5,420,962 A	5/1995	Bakke	392/470
5,460,490 A	10/1995	Carr et al.	417/44.2
5,643,203 A	7/1997	Beiser et al.	604/66
5,683,381 A	11/1997	Carr et al.	606/27
5,690,614 A	11/1997	Carr et al.	604/114
5,729,653 A	3/1998	Magliochetti et al.	392/485
5,733,263 A	3/1998	Wheatman	604/141
D398,051 S *	9/1998	Lanigan et al.	D24/108

FIG. 1 is a perspective view of a cartridge for surgical fluid management system;
FIG. 2 is a front elevation view of the cartridge of FIG. 1;
FIG. 3 is a rear elevation view of the cartridge of FIG. 1;
FIG. 4 is a plan view of the cartridge of FIG. 1;
FIG. 5 is a bottom view of the cartridge of FIG. 1;
FIG. 6 is a right elevation view of the cartridge of FIG. 1; and,
FIG. 7 is a left elevation view of the cartridge of FIG. 1.
The broken lines showing environmental structure are for illustrative purposes only and form no part of the claimed design.

1 Claim, 5 Drawing Sheets



US D657,865 S

Page 2

U.S. PATENT DOCUMENTS

5,989,423 A * 11/1999 Kamen et al. 210/258
6,024,720 A 2/2000 Chandler et al. 604/35
6,142,974 A 11/2000 Kistner et al. 604/113
6,146,359 A 11/2000 Carr et al. 604/114
6,175,688 B1 1/2001 Cassidy et al. 392/470
6,236,809 B1 5/2001 Cassidy et al. 392/470
6,261,261 B1 7/2001 Gordon 604/113
6,336,003 B1 1/2002 Mitsunaga et al. 392/470
6,464,666 B1 10/2002 Augustine et al. 604/113
6,535,689 B2 3/2003 Augustine et al. 392/470
6,743,201 B1 * 6/2004 Donig et al. 604/114
6,775,473 B2 8/2004 Augustine et al. 392/470
6,788,885 B2 9/2004 Mitsunaga et al. 392/470
6,882,797 B2 4/2005 Stewart et al. 392/470
6,901,216 B2 5/2005 Jusiak et al. 392/470
6,997,942 B2 2/2006 Machold et al. 607/96
7,004,960 B2 2/2006 Daoud 607/105
7,010,221 B2 3/2006 Augustine et al. 392/470
7,153,285 B2 12/2006 Lauman et al. 604/6.08
7,158,719 B2 1/2007 Cassidy 392/494
7,164,852 B2 1/2007 Cazzini et al. 392/470
7,232,457 B2 6/2007 Schmidt et al. 607/96
7,236,694 B1 6/2007 Chammas 392/470
7,316,666 B1 1/2008 Entenman et al. 604/113
7,394,976 B2 7/2008 Entenman et al. 392/470
7,410,475 B2 8/2008 Krensky et al. 604/29
7,458,951 B2 12/2008 Lauman et al. 604/6.08
D615,191 S * 5/2010 McGill et al. D24/111
D616,539 S * 5/2010 McGill D24/111

D650,896 S * 12/2011 McGill et al. D24/111
2003/0216689 A1 11/2003 Bouhuijs et al. 604/113
2004/0190884 A1 9/2004 Stewart et al. 392/470
2005/0055074 A1 3/2005 Tak et al. 607/104
2005/0142013 A1 6/2005 Faries, Jr. et al. 414/477.2
2005/0148934 A1 7/2005 Martens et al. 604/113
2006/0222350 A1 10/2006 Cassidy 392/470
2007/0045272 A1 3/2007 French et al. 219/216
2007/0142775 A1 6/2007 Visconti et al. 604/131
2007/0242934 A1 10/2007 Entenman et al. 392/465
2007/0265689 A1 11/2007 Frey 607/105
2008/0031773 A1 2/2008 Eccleston 422/44
2008/0039815 A1 2/2008 Ogawa 604/408
2008/0145249 A1 * 6/2008 Smisson et al. 417/474

FOREIGN PATENT DOCUMENTS

EP 0 575 512 5/1998
WO WO 92/17040 10/1992
WO WO 2010/104878 9/2010

OTHER PUBLICATIONS

Futuremed®, Animec™ AM-2S, Fluid Warmer, 2000-2007.
Vital Signs Inc., Medical Products, enFlow®, IV Fluid/Blood Warming System.
Smith et al., Principles of Fluid and Blood Warming in Trauma, International TraumaCare (ITACCS), vol. 18, No. 1, 2008, pp. 71-79.
Medical Solutions, Inc. Fluid Warming System, Product Information obtained from website www.warmiv.com, Jan. 25, 2008.

* cited by examiner

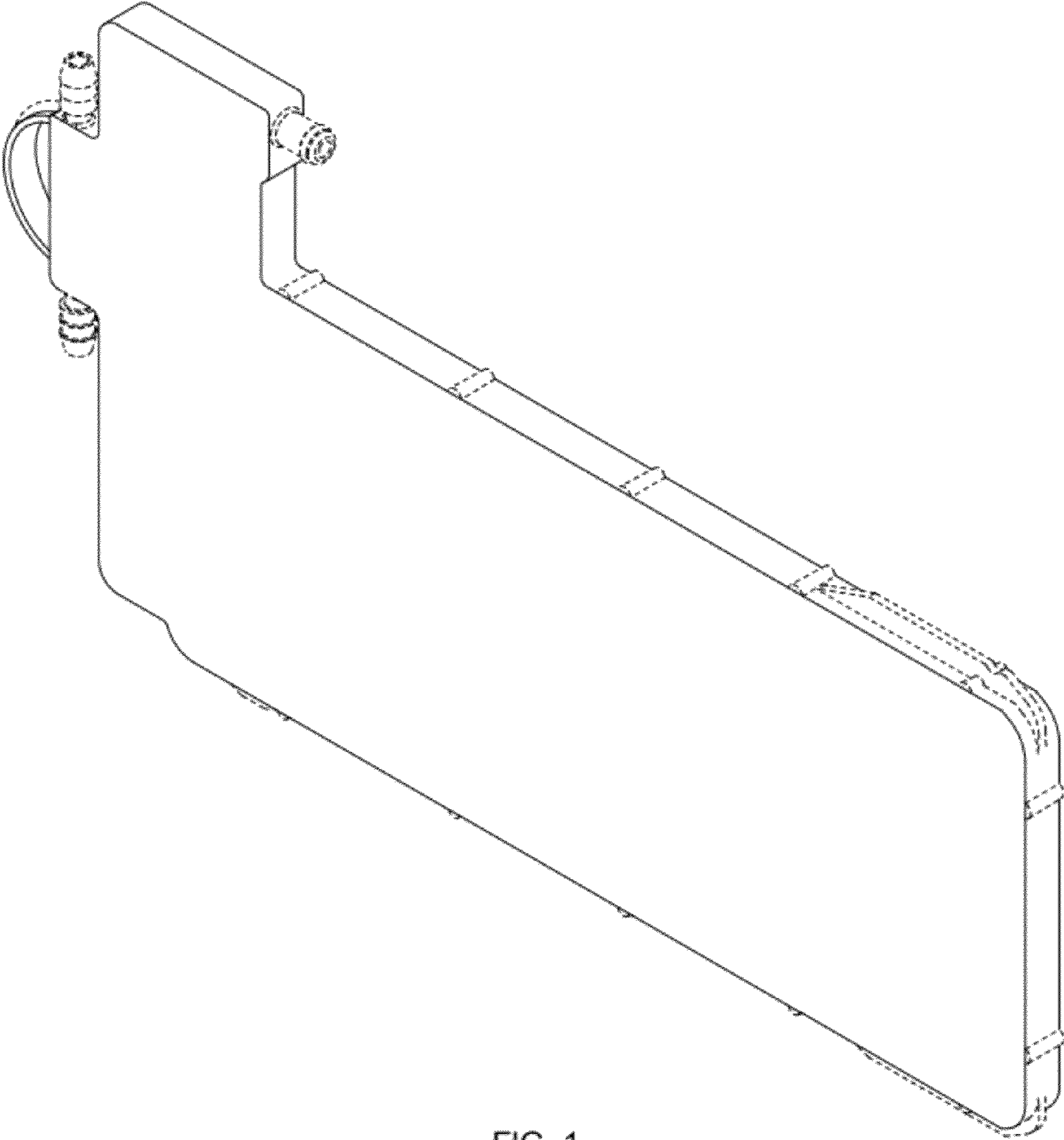


FIG. 1

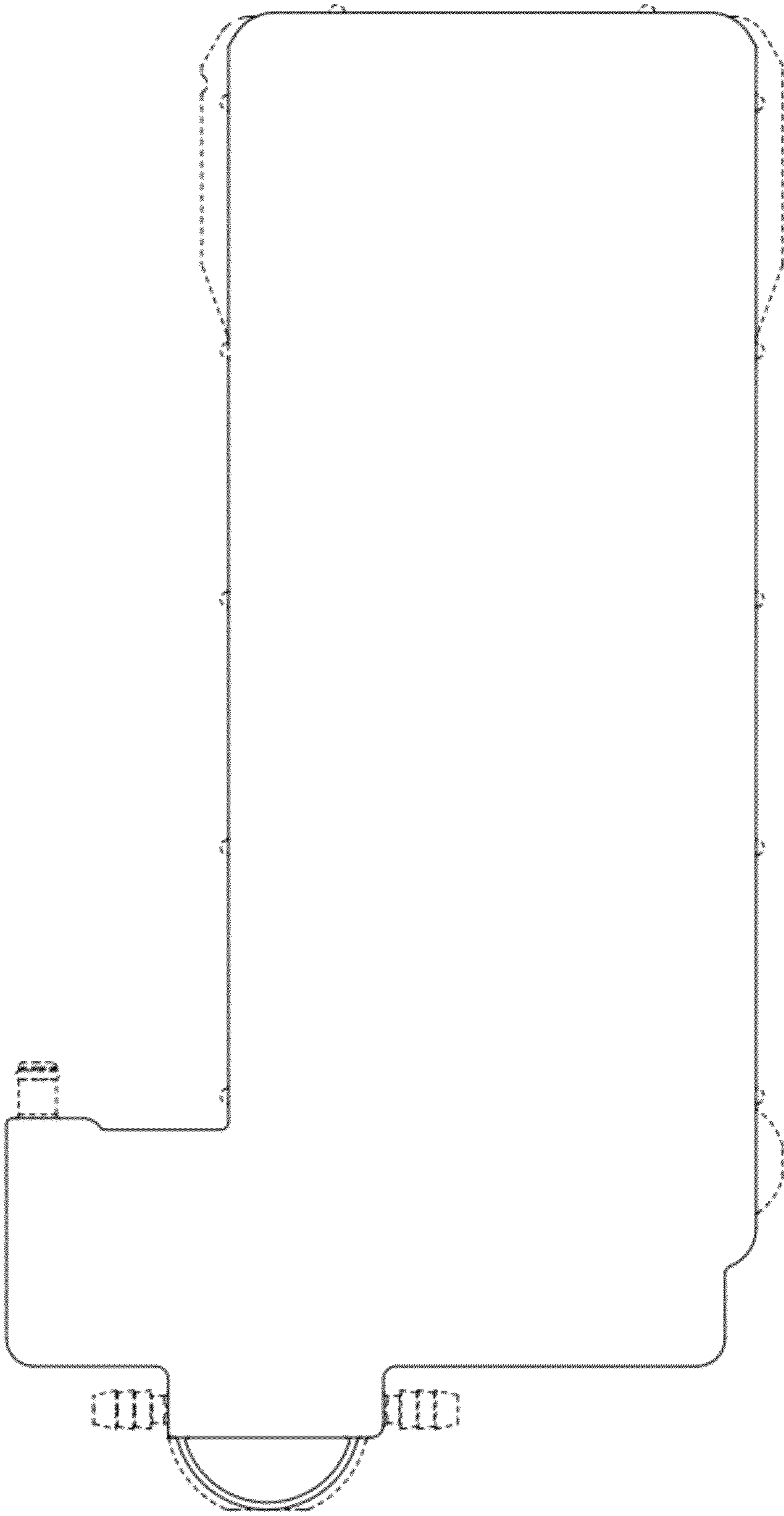


FIG. 2

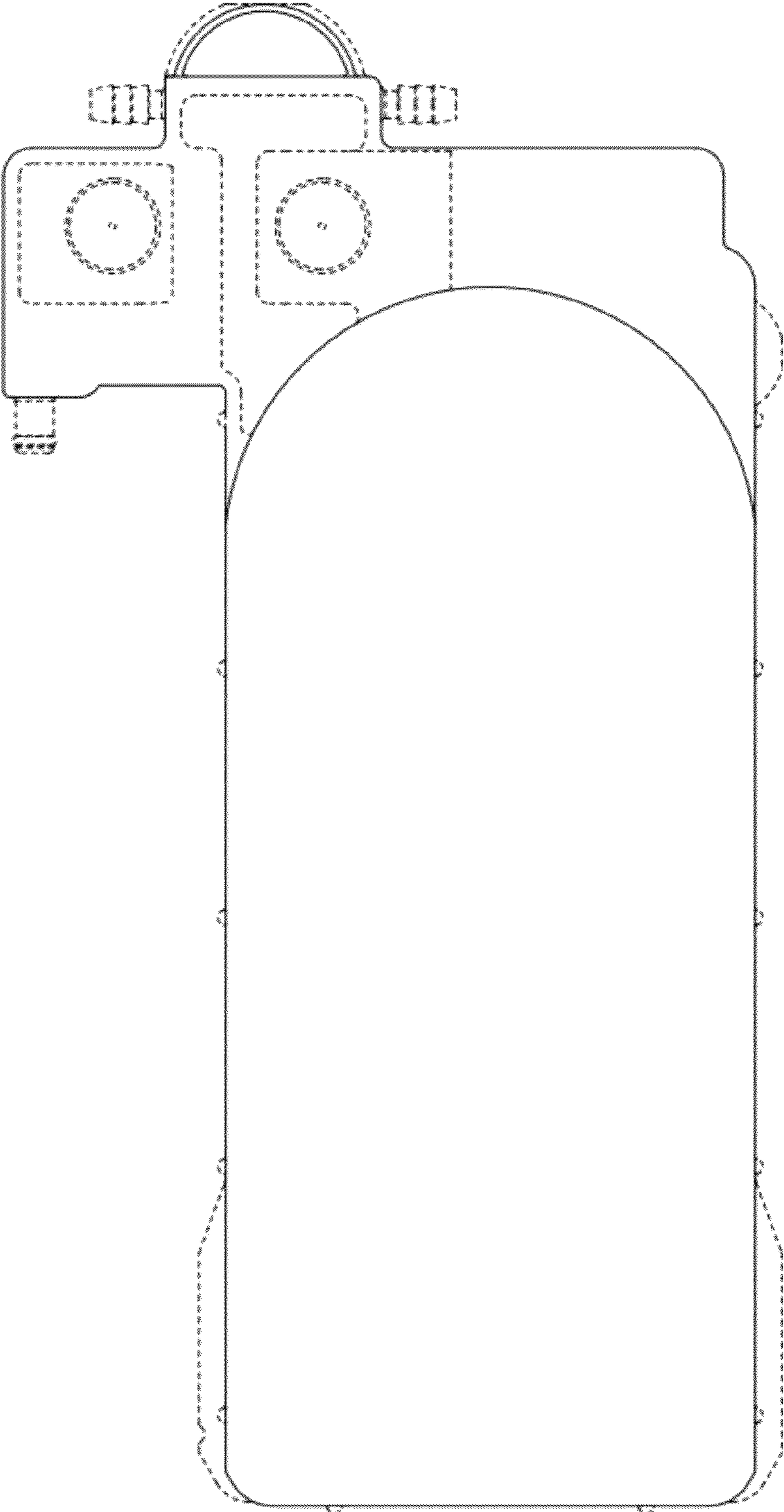


FIG. 3

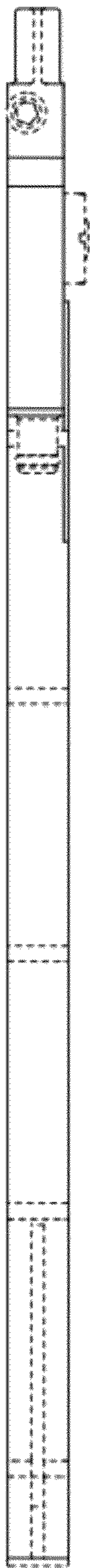


FIG. 4

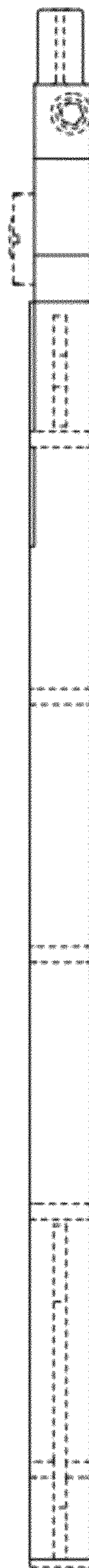


FIG. 5



FIG. 7

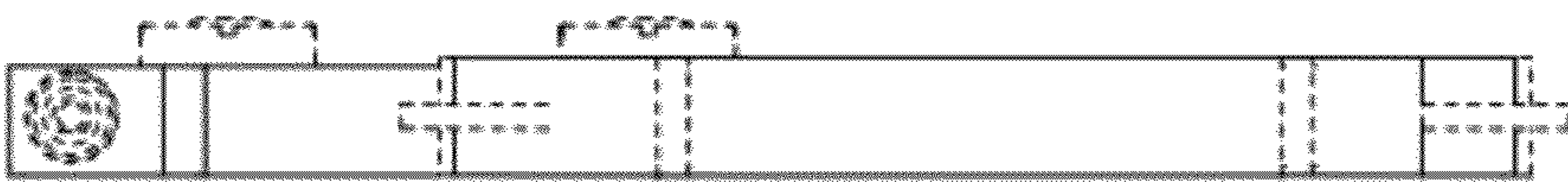


FIG. 6