



US00D657864S

(12) **United States Design Patent**  
**Moody et al.**

(10) **Patent No.:** **US D657,864 S**  
(45) **Date of Patent:** **\*\* Apr. 17, 2012**

(54) **PRESSURE REGULATOR**

(75) Inventors: **Paul Moody**, Auckland (NZ); **Bronwyn Nicola Cotter**, Auckland (NZ); **Neil Prime**, Auckland (NZ); **Glenn Whyte**, Auckland (NZ); **Matthew Jon Payton**, Auckland (NZ)

(73) Assignee: **Fisher & Paykel Healthcare Limited**, Auckland (NZ)

(\*\*) Term: **14 Years**

(21) Appl. No.: **29/357,932**

(22) Filed: **Mar. 19, 2010**

**Related U.S. Application Data**

(62) Division of application No. 10/357,753, filed on Feb. 4, 2003.

(51) **LOC (9) Cl.** ..... **29-02**

(52) **U.S. Cl.** ..... **D24/110.6**

(58) **Field of Classification Search** ..... D24/110.6,  
D24/129; D23/233; 128/202.27, 202.28,  
128/204.18, 204.23, 204.26, 205.13, 205.23,  
128/205.24

See application file for complete search history.

(56) **References Cited**

**U.S. PATENT DOCUMENTS**

3,799,185 A \* 3/1974 Milnes et al. .... 137/102  
4,603,833 A \* 8/1986 Christianson ..... 251/94

4,655,213 A \* 4/1987 Rapoport et al. .... 128/205.25  
D311,788 S \* 10/1990 Trinkwalder, Jr. .... D24/110.6  
D355,030 S \* 1/1995 Baldwin ..... D24/110.6  
5,762,063 A \* 6/1998 Coates et al. .... 128/205.13  
6,058,933 A \* 5/2000 Good et al. .... 128/205.13  
D428,114 S \* 7/2000 Le Bars ..... D23/233  
D429,330 S \* 8/2000 Hoenig ..... D24/110.6  
D449,107 S \* 10/2001 Madsen et al. .... D24/129  
6,629,530 B2 \* 10/2003 Cise ..... 128/205.24

\* cited by examiner

*Primary Examiner* — Ian Simmons

*Assistant Examiner* — Christopher Lee

(74) *Attorney, Agent, or Firm* — Knobbe, Martens, Olson & Bear, LLP

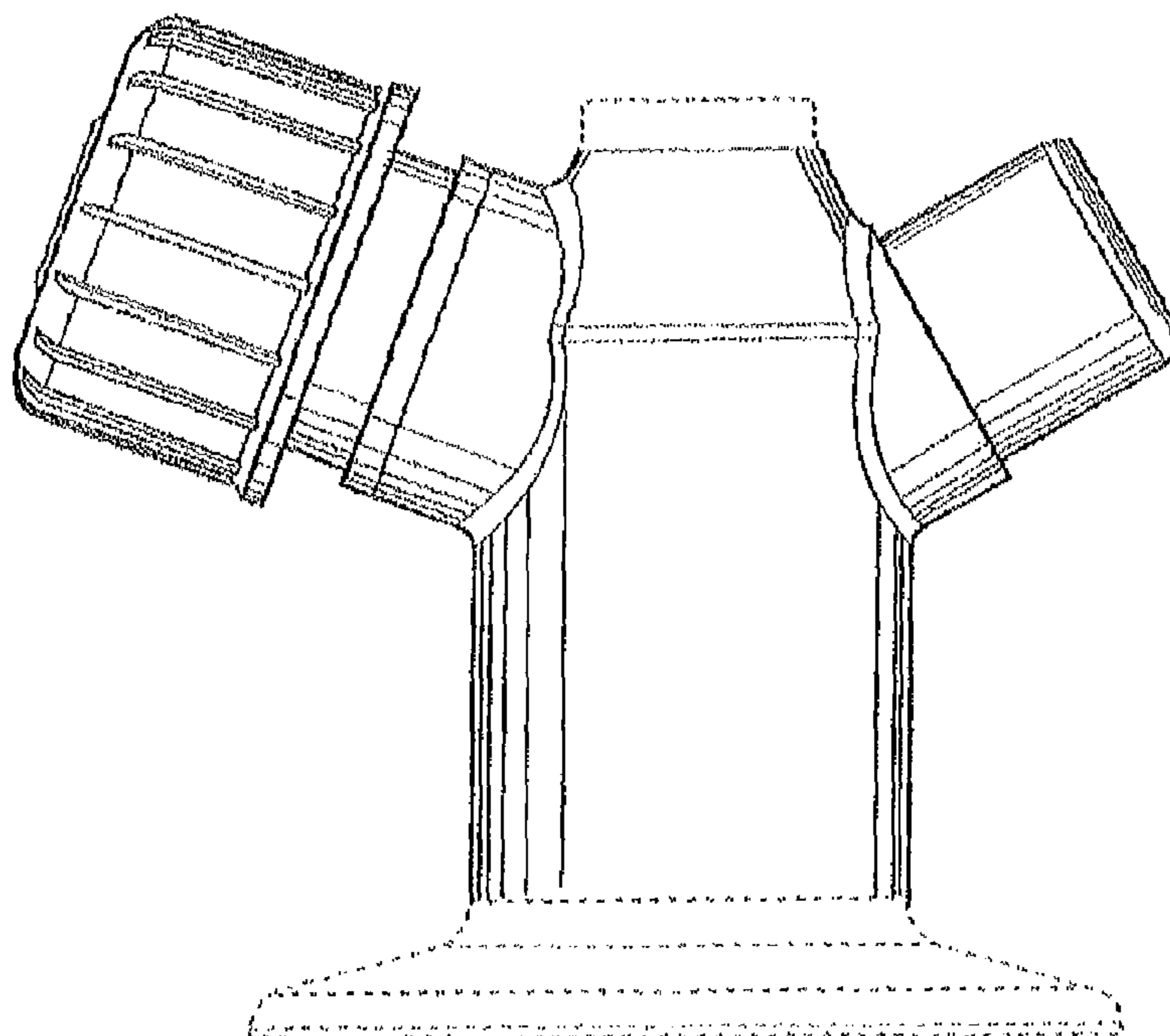
(57) **CLAIM**

The ornamental design for a pressure regulator, as shown and described.

**DESCRIPTION**

FIG. 1 is a perspective view of the pressure regulator;  
FIG. 2 is a right side elevational view of the pressure regulator;  
FIG. 3 is a left side elevational view of the pressure regulator;  
FIG. 4 is a front elevational view of the pressure regulator;  
FIG. 5 is a bottom plan view of the pressure regulator;  
FIG. 6 is a top plan view of the pressure regulator; and,  
FIG. 7 is a rear elevational view of the pressure regulator.  
The broken lines in the drawings show environmental structure that form no part of the design to be patented.

**1 Claim, 4 Drawing Sheets**



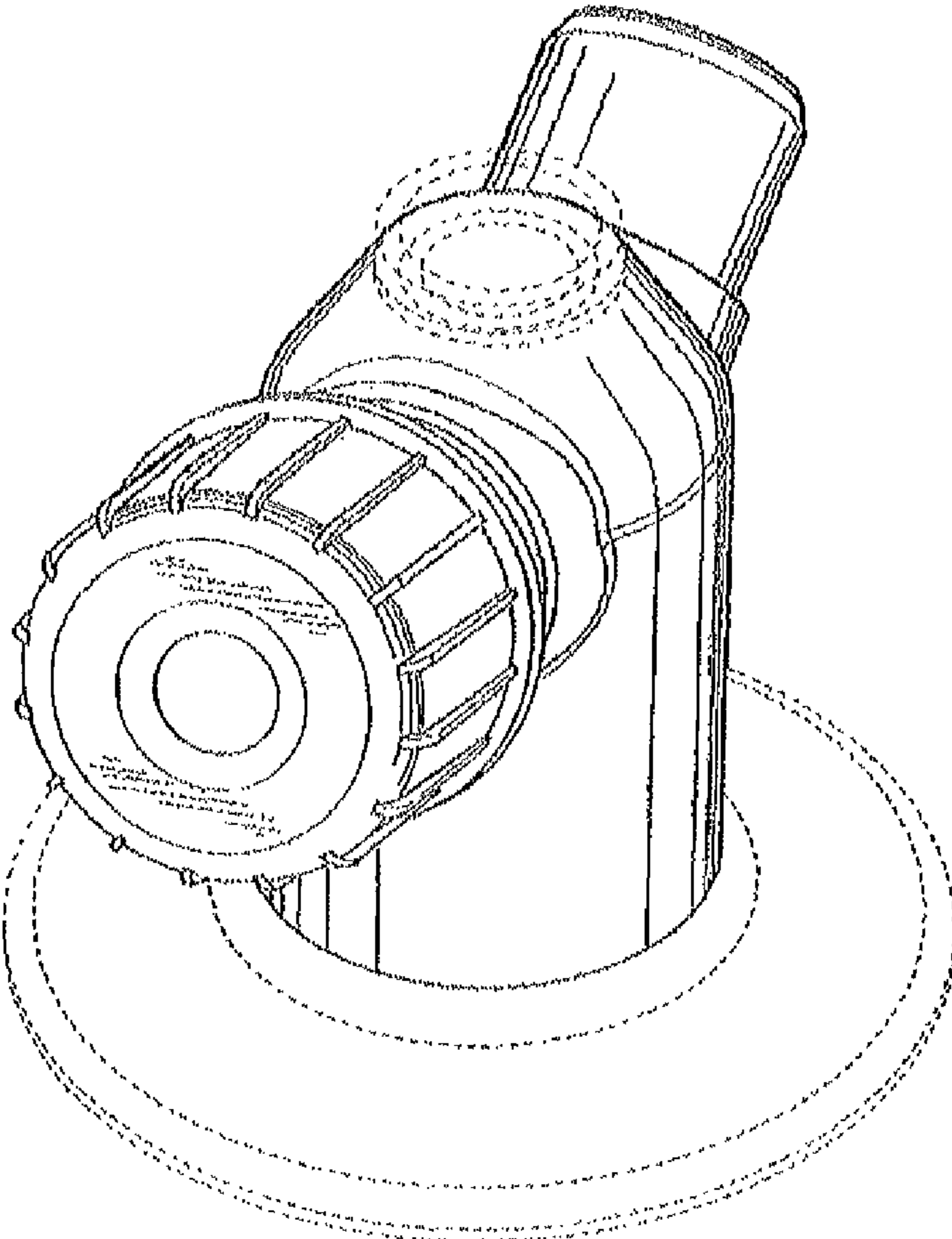


FIG. 1

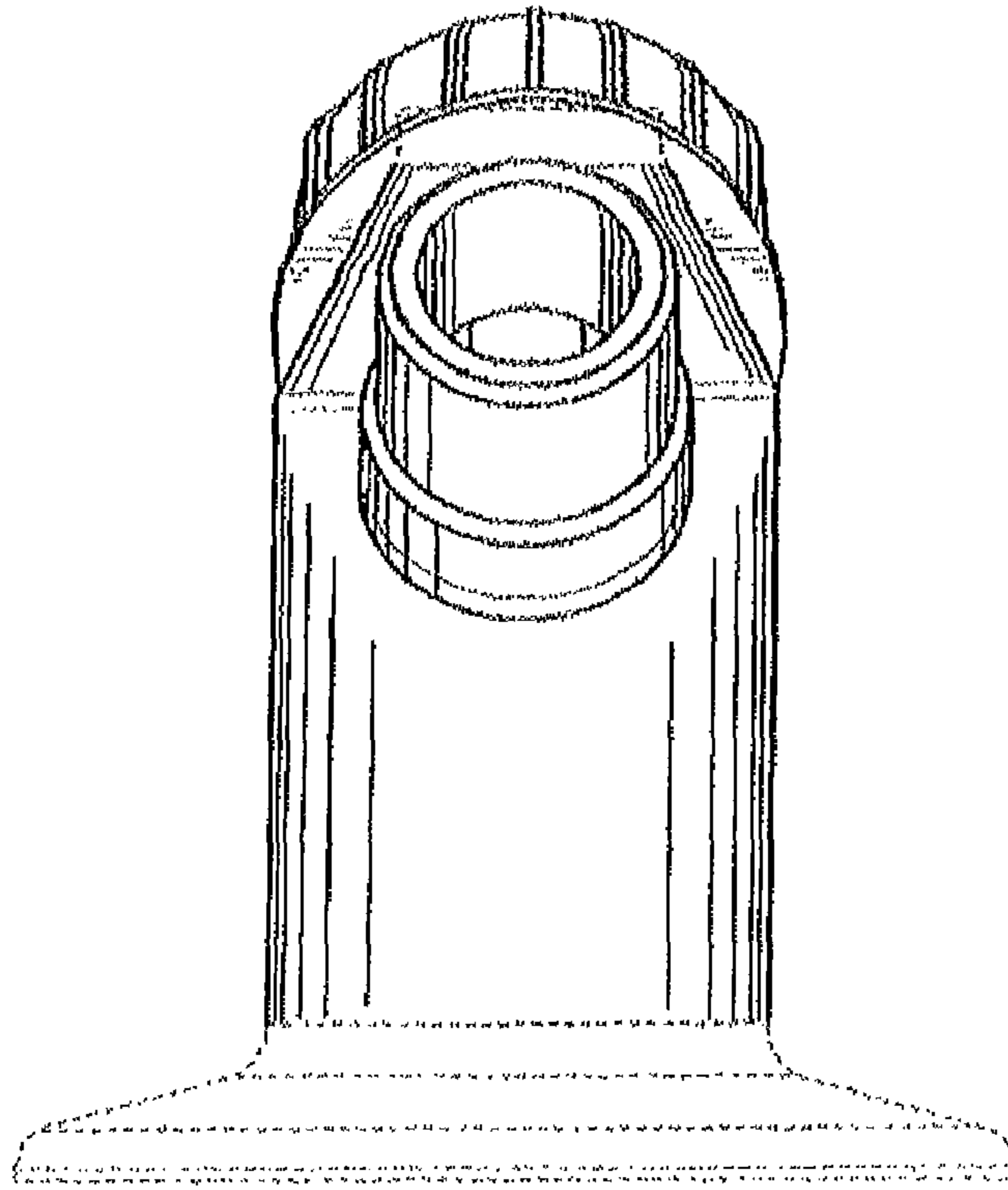


FIG. 2

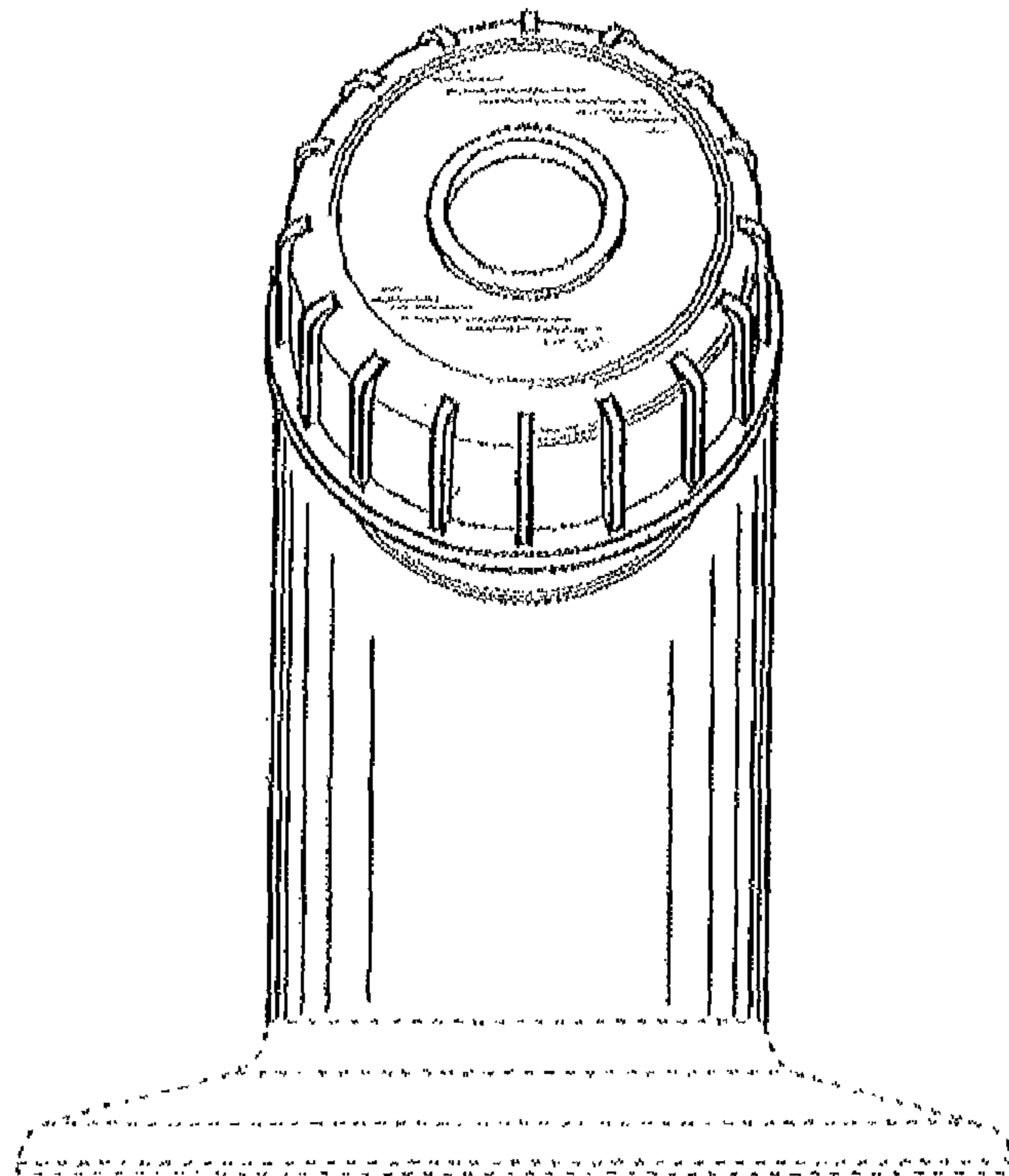


FIG. 3

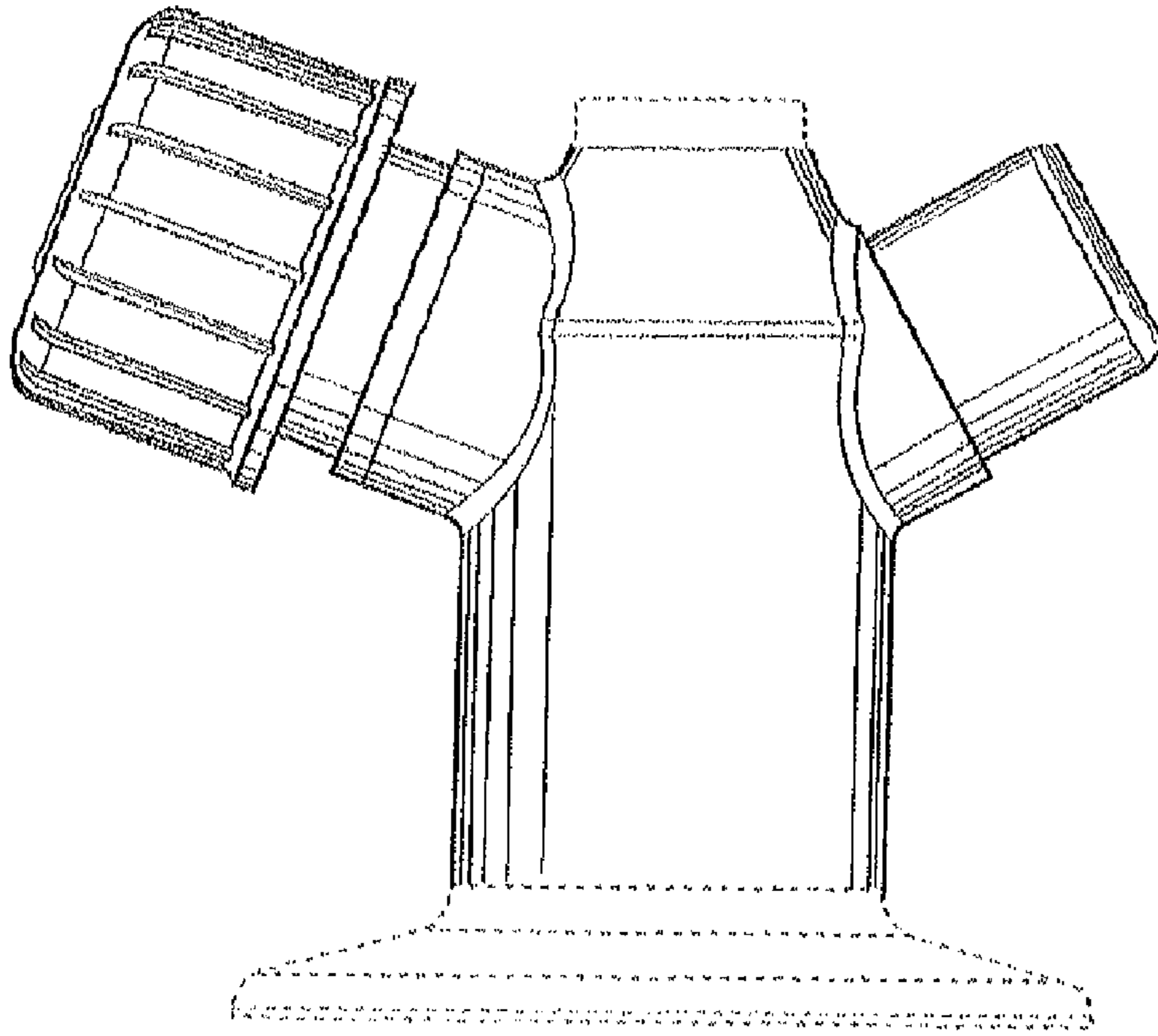


FIG. 4

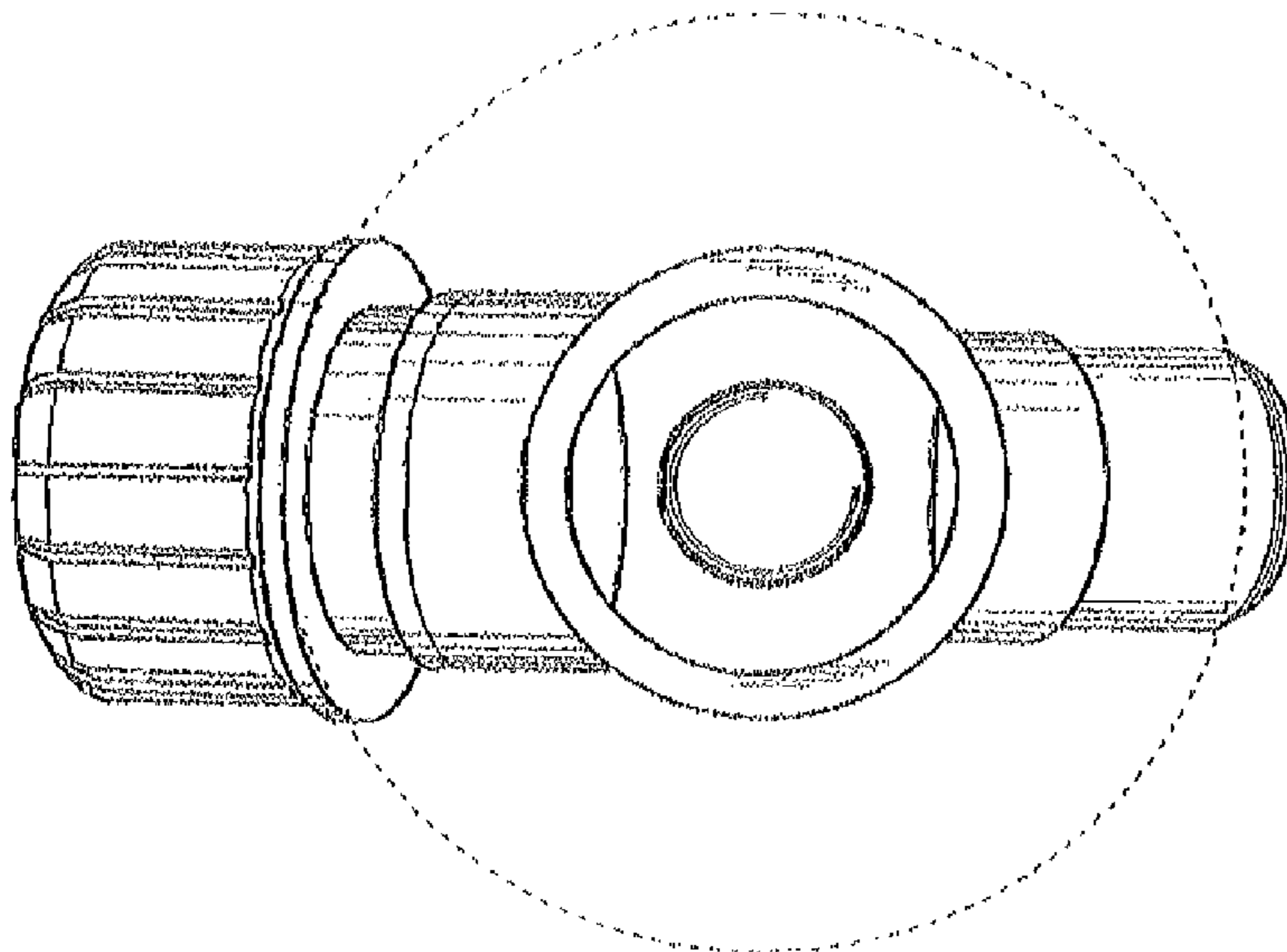


FIG. 5

FIG. 6

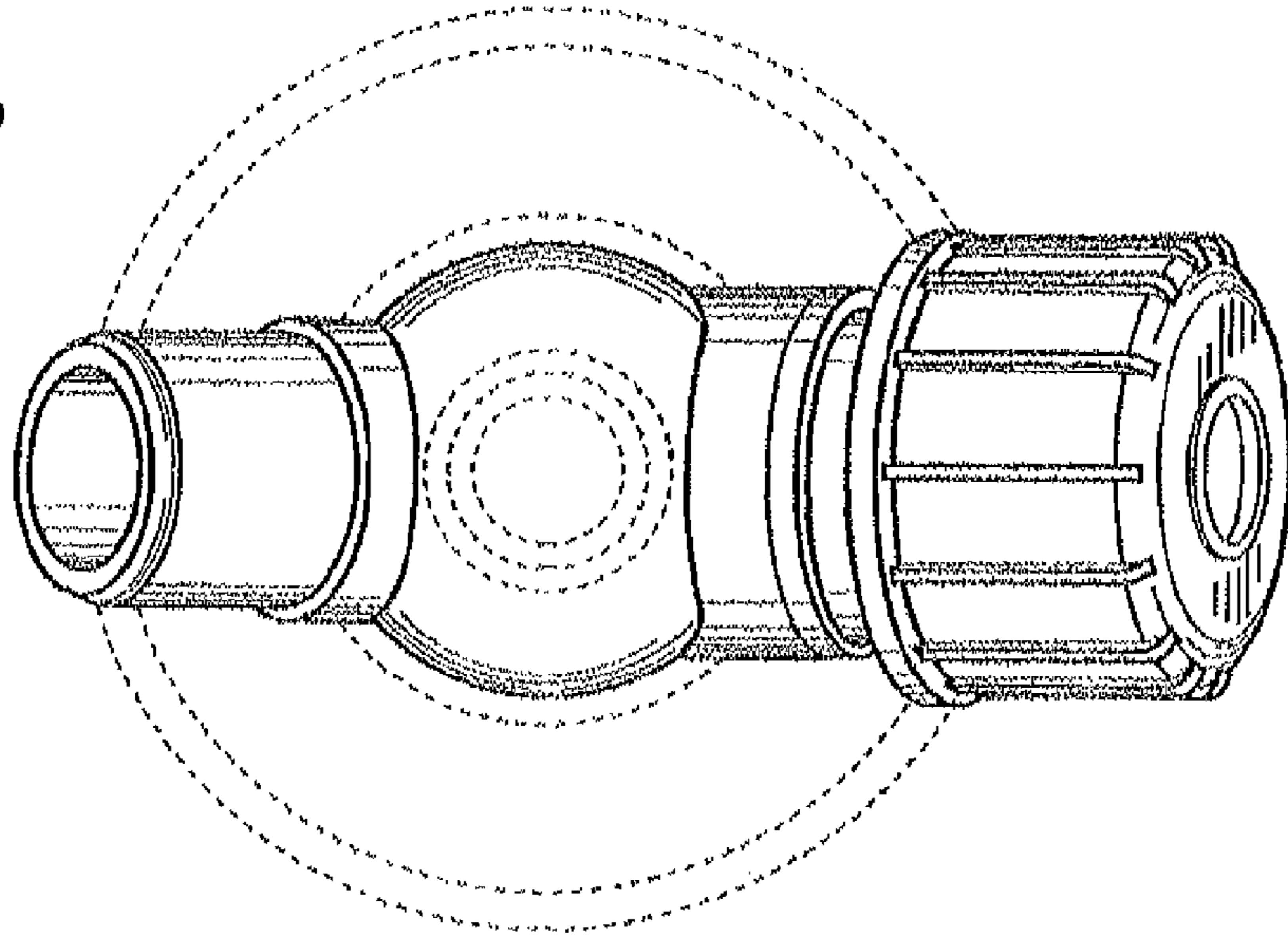


FIG. 7

