



US00D657863S

(12) **United States Design Patent**
Raje et al.

(10) **Patent No.:** **US D657,863 S**

(45) **Date of Patent:** **** Apr. 17, 2012**

(54) **MASK**
(75) Inventors: **Milind C. Raje**, Wentworthville (AU);
Aaron Samuel Davidson, Newport
(AU); **Jim Saada**, Kellyville (AU);
Richard Sokolov, Earlwood (AU)

(73) Assignee: **ResMed Limited**, Bella Vista (AU)

(**) Term: **14 Years**

(21) Appl. No.: **29/290,257**

(22) Filed: **Nov. 9, 2007**

Related U.S. Application Data

(63) Continuation of application No. 29/233,066, filed on Jun. 28, 2005, now Pat. No. Des. 567,936, which is a continuation of application No. 29/207,264, filed on Jun. 10, 2004, now Pat. No. Des. 519,207, which is a continuation of application No. 29/181,057, filed on May 5, 2003, now Pat. No. Des. 493,885.

(51) **LOC (9) Cl.** **23-01**

(52) **U.S. Cl.** **D24/110**

(58) **Field of Classification Search** D24/110,
D24/110.4, 110.5; 128/207.12, 207.13, 204.12,
128/206.21, 206.24–206.25, 206.27, 206.12
See application file for complete search history.

(56) **References Cited**

U.S. PATENT DOCUMENTS

D322,318 S 12/1991 Sullivan
5,074,297 A 12/1991 Venegas
D355,484 S * 2/1995 Rinehart D24/110.1
D402,755 S 12/1998 Kwok
D421,118 S * 2/2000 Reischel et al. D24/110.6
6,044,844 A 4/2000 Kwok et al.
D428,987 S 8/2000 Kwok
D430,663 S 9/2000 Smart
6,112,746 A 9/2000 Kwok et al.

D439,326 S 3/2001 Hecker et al.
D443,355 S 6/2001 Gunaratnam et al.
D457,622 S 5/2002 Kopacko et al.
D458,365 S 6/2002 Kopacko et al.
D459,800 S 7/2002 Smart
D464,427 S 10/2002 Smart
D468,823 S 1/2003 Smart
6,513,526 B2 2/2003 Kwok et al.
6,532,961 B1 * 3/2003 Kwok et al. 128/206.21
6,561,190 B1 5/2003 Kwok
6,581,602 B2 6/2003 Kwok et al.
D476,732 S 7/2003 Smart
D484,237 S 12/2003 Lang et al.
D486,226 S * 2/2004 Guney et al. D24/110.1

(Continued)

FOREIGN PATENT DOCUMENTS

WO WO 99/58181 11/1999

(Continued)

OTHER PUBLICATIONS

Kooij et al., U.S. Appl. No. 29/257,607, filed Apr. 7, 2006.

(Continued)

Primary Examiner — T. Chase Nelson

Assistant Examiner — Eric Goodman

(74) *Attorney, Agent, or Firm* — Nixon & Vanderhye P.C.

(57) **CLAIM**

The ornamental design for a mask, as shown and described.

DESCRIPTION

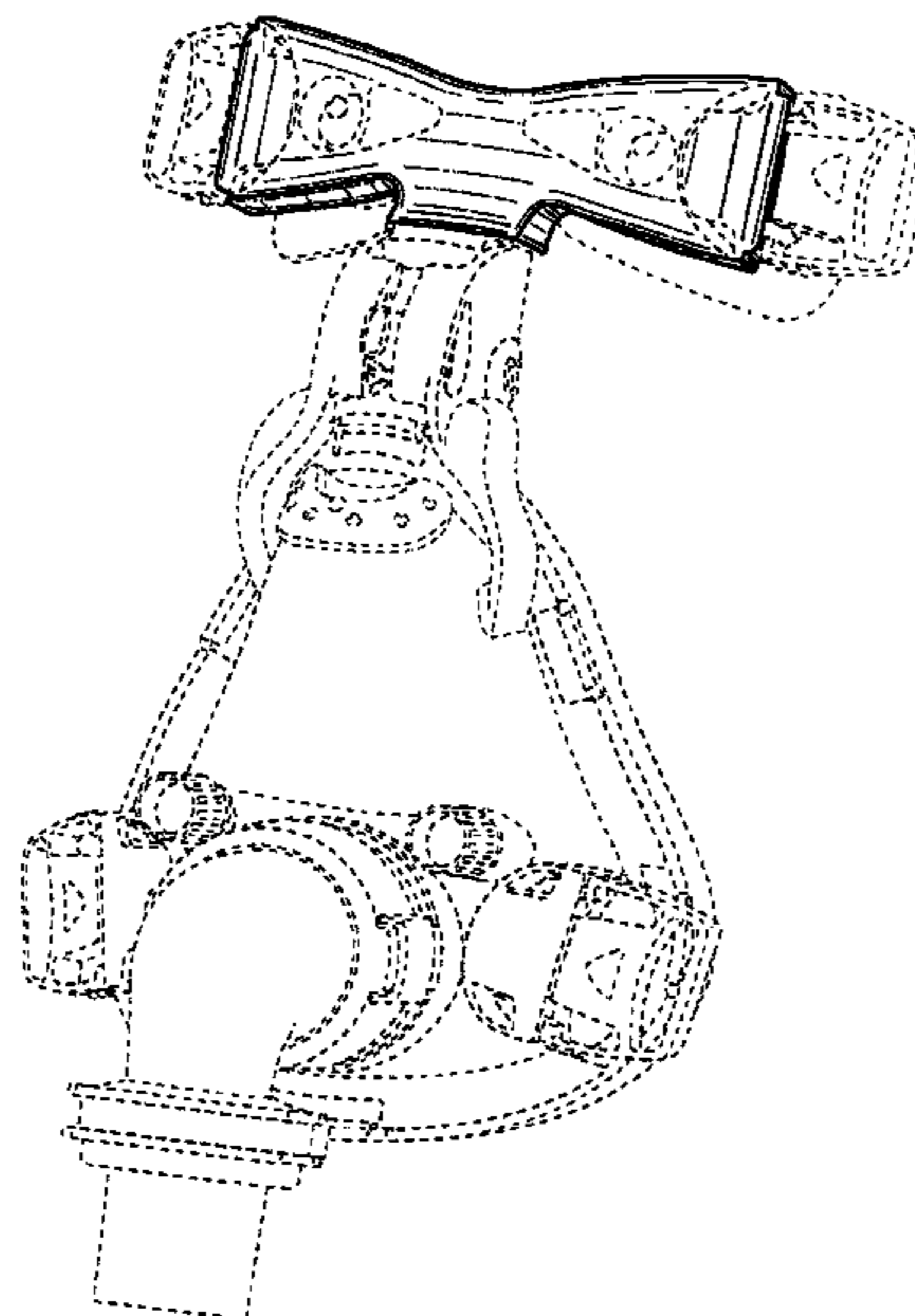
FIG. 1 is a front perspective view of a mask according to our new ornamental design;

FIG. 2 is a front view thereof; and,

FIG. 3 is a top view thereof.

Where included, broken lines showing environment or structure are for illustrative purposes only and form no part of the claimed design.

1 Claim, 3 Drawing Sheets



US D657,863 S

Page 2

U.S. PATENT DOCUMENTS

D486,227 S * 2/2004 Fu et al. D24/110.1
D492,992 S 7/2004 Guney et al.
D493,221 S 7/2004 Smart
D493,885 S * 8/2004 Raje et al. D24/110.1
D498,530 S 11/2004 Smart
D502,260 S * 2/2005 Lang et al. D24/110.1
D519,207 S 4/2006 Raje et al.
D539,901 S * 4/2007 McAuliffe et al. D24/110.1
D558,332 S * 12/2007 Ng et al. D24/110.1
D562,445 S * 2/2008 McAuliffe et al. D24/110.1
D567,936 S * 4/2008 Raje et al. D24/110.1
D573,709 S * 7/2008 Rudolph D24/110.1
D582,546 S * 12/2008 Fujiura et al. D24/110.1
7,753,050 B2 * 7/2010 Lithgow et al. 128/207.11
7,856,980 B2 * 12/2010 Lang et al. 128/206.27
7,958,893 B2 * 6/2011 Lithgow et al. 128/206.24
7,971,590 B2 * 7/2011 Frater et al. 128/206.24
2002/0023649 A1 2/2002 Gunaratnam et al.
2002/0096176 A1 7/2002 Gunaratnam et al.
2003/0034034 A1 * 2/2003 Kwok et al. 128/206.21
2003/0062048 A1 4/2003 Gradon et al.

2003/0089373 A1 5/2003 Gradon et al.
2003/0164170 A1 9/2003 Drew et al.
2004/0094157 A1 5/2004 Dantanarayana et al.
2004/0112384 A1 * 6/2004 Lithgow et al. 128/206.21
2004/0211427 A1 * 10/2004 Jones et al. 128/206.27
2005/0022820 A1 2/2005 Kwok et al.
2006/0100538 A1 * 5/2006 Genger et al. 600/544
2006/0196509 A1 * 9/2006 Drew et al. 128/206.21
2007/0215161 A1 * 9/2007 Frater et al. 128/206.24
2010/0275923 A1 * 11/2010 Guney et al. 128/207.13
2011/0048425 A1 * 3/2011 Chang 128/206.24

FOREIGN PATENT DOCUMENTS

WO WO 01/97892 12/2001

OTHER PUBLICATIONS

Product Brochure, "Spectrum® Reusable Full Face Mask",
Respironics (1999), 2 pgs.
Raje et al., U.S. Appl. No. 29/233,066, filed Jun. 28, 2005.

* cited by examiner

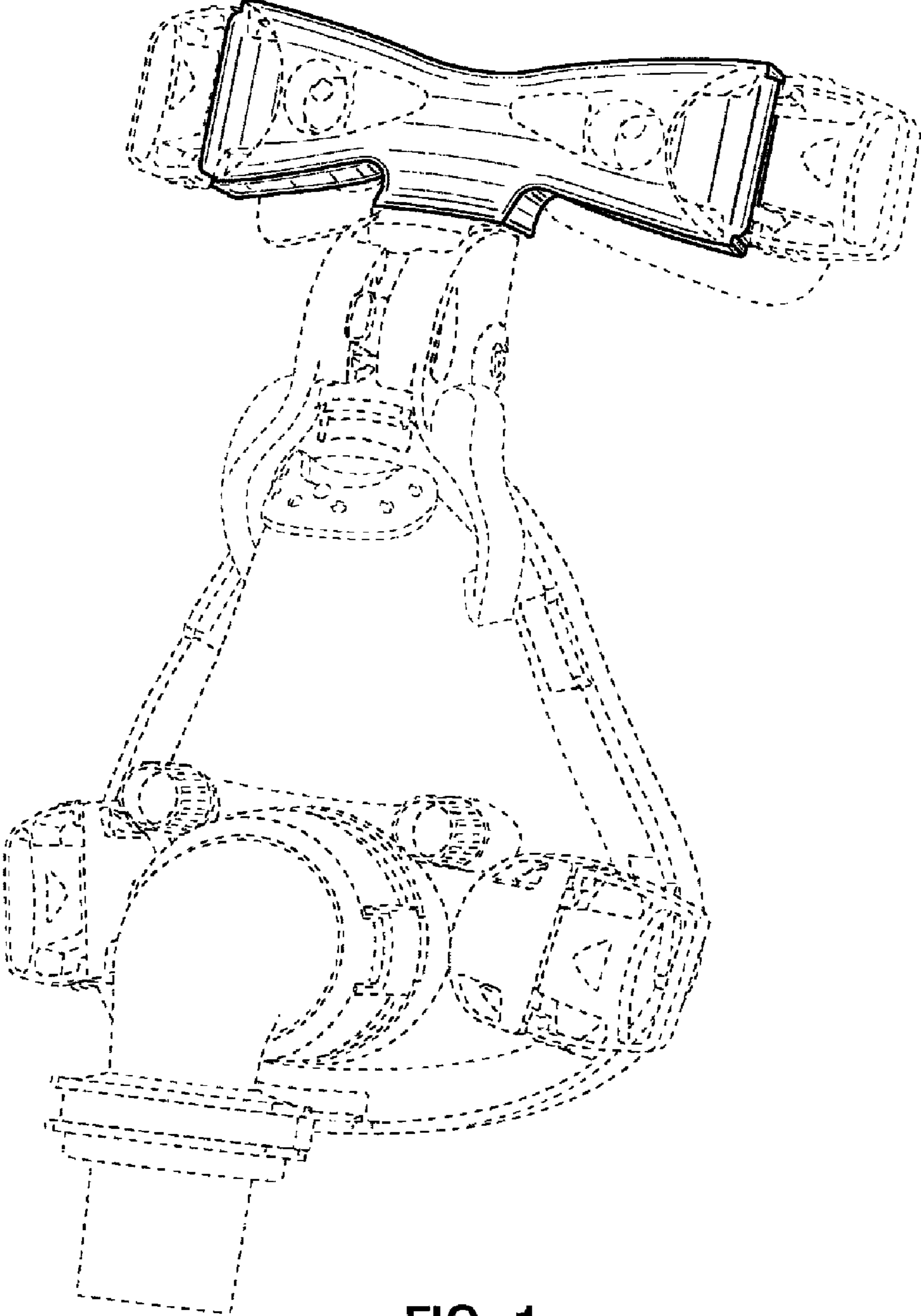


FIG. 1

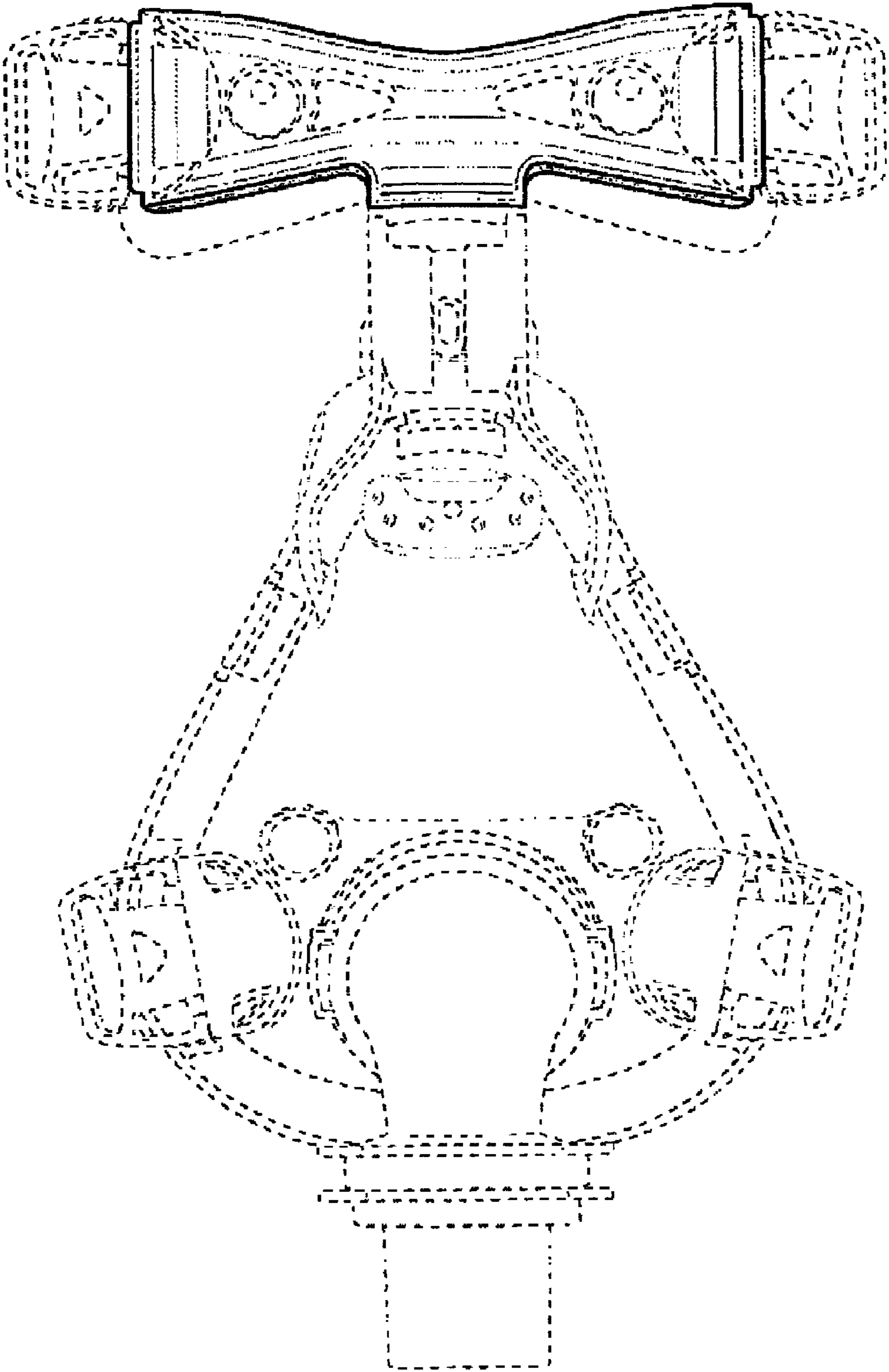


FIG. 2

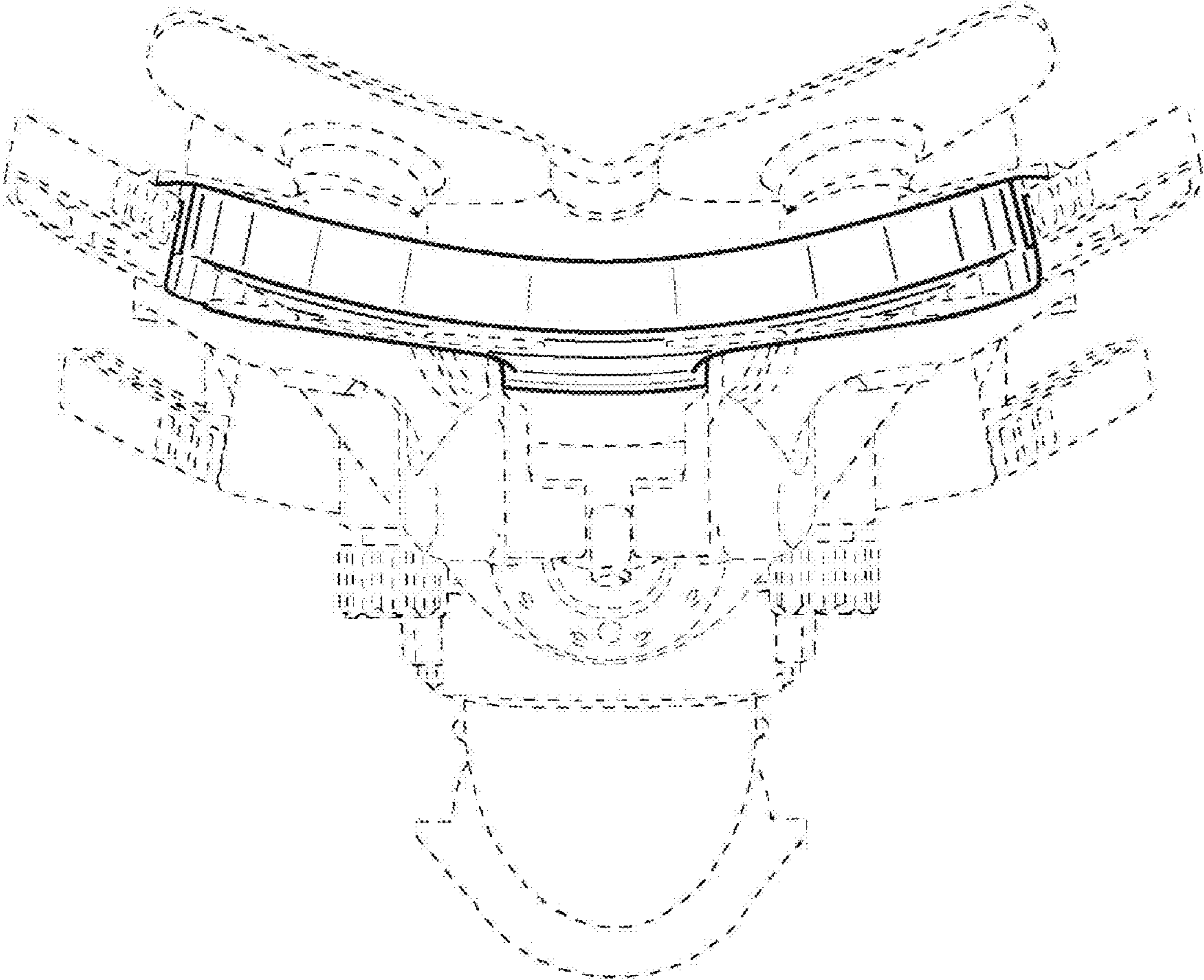


FIG. 3