



US00D657860S

(12) **United States Design Patent**
Sordo et al.

(10) **Patent No.:** **US D657,860 S**
(45) **Date of Patent:** **** Apr. 17, 2012**

(54) **VOLATILE SUBSTANCE EVAPORATOR**

(75) Inventors: **Walter Sordo**, Trento (IT); **Andrea Pedrotti**, Trento (IT)

(73) Assignee: **Zobebe Espana, S.A.** (ES)

(**) Term: **14 Years**

(21) Appl. No.: **29/388,742**

(22) Filed: **Apr. 1, 2011**

(30) **Foreign Application Priority Data**

Oct. 1, 2010 (EM) 1762261

(51) **LOC (9) Cl.** **28-99**

(52) **U.S. Cl.** **D23/366**

(58) **Field of Classification Search** D23/355-369;
D28/5, 6; 261/DIG. 17, DIG. 42, DIG. 65,
261/DIG. 88, DIG. 89; 392/386, 390, 391,
392/392, 393, 394, 395; 239/34, 35, 44-47,
239/50, 53, 56, 60, 145, 326

See application file for complete search history.

(56) **References Cited**

U.S. PATENT DOCUMENTS

D432,222 S * 10/2000 Rymer et al. D23/366
D480,792 S * 10/2003 Millan D23/366
D491,256 S * 6/2004 Fellows et al. D23/366
6,976,637 B2 * 12/2005 Massimo 239/44
D519,622 S * 4/2006 Cocchi D23/366
D535,377 S * 1/2007 Caserta et al. D23/366
D535,378 S * 1/2007 Caserta et al. D23/366

D535,734 S * 1/2007 Caserta et al. D23/366
D539,892 S * 4/2007 Caserta et al. D23/366
D543,613 S * 5/2007 Holekamp D23/366
D559,373 S * 1/2008 Kennedy et al. D23/366
RE40,392 E * 6/2008 Rymer et al. D23/366
D604,402 S * 11/2009 Tomas Vilarasa et al. ... D23/366
D606,643 S * 12/2009 Butler et al. D23/366
D608,435 S * 1/2010 Zobebe et al. D23/366
D626,205 S * 10/2010 Fabregas et al. D23/366
D628,285 S * 11/2010 Fabregas et al. D23/366
D648,018 S * 11/2011 Sordo D23/366
2007/0119963 A1 * 5/2007 DiBello et al. 239/34
2011/0036922 A1 * 2/2011 Bulsink 239/47

* cited by examiner

Primary Examiner — Sandra Snapp

(74) *Attorney, Agent, or Firm* — Cantor Colburn LLP

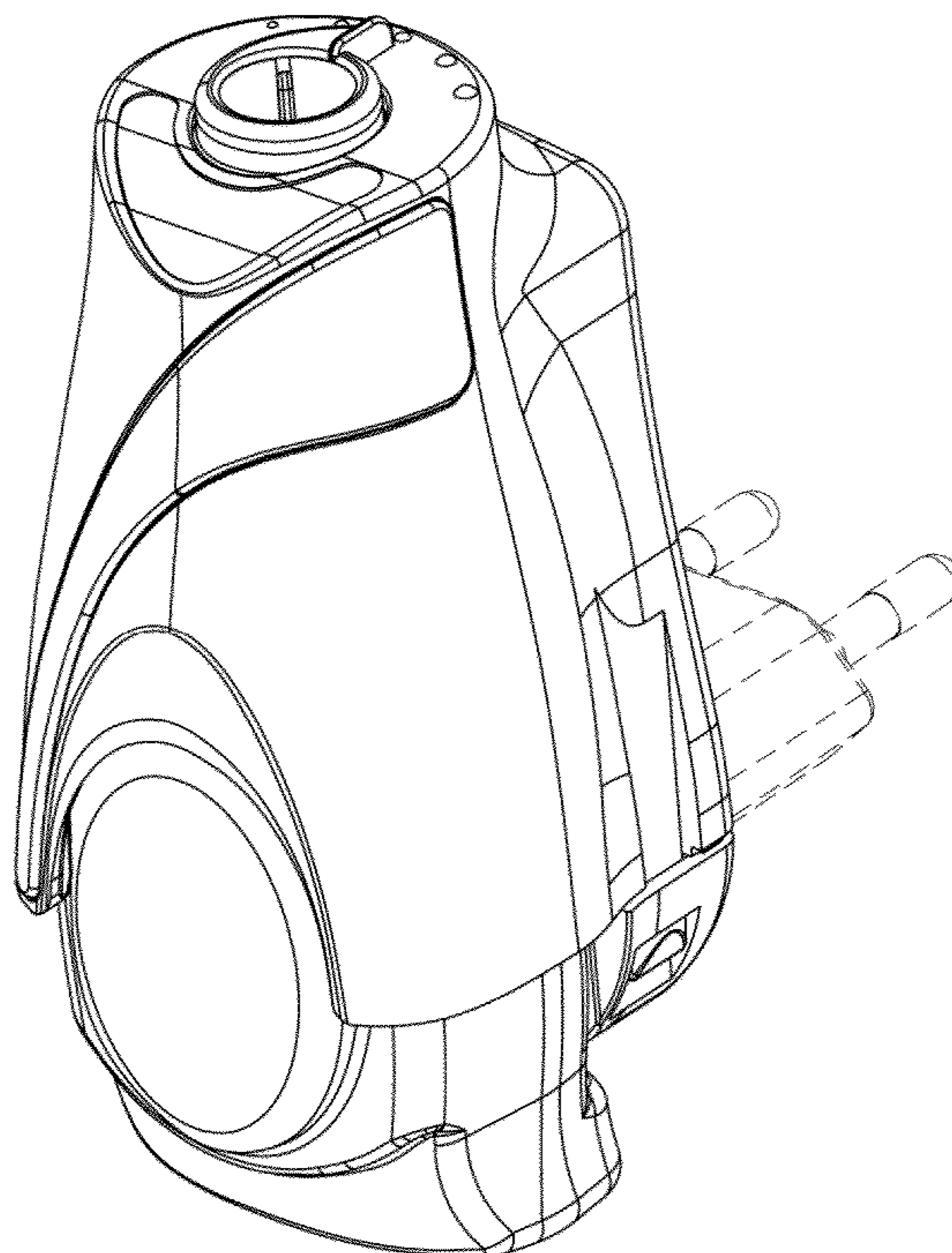
(57) **CLAIM**

We claim, the ornamental design for volatile substance evaporator, as shown and described.

DESCRIPTION

FIG. 1 is a front perspective view of a volatile substance evaporator, showing our new design;
FIG. 2 is front elevation view thereof;
FIG. 3 is a side elevation view taken from the right of FIG. 2;
FIG. 4 is a top plan view thereof;
FIG. 5 is a rear elevation view thereof;
FIG. 6 is a side elevation view taken from the left of FIG. 2;
and,
FIG. 7 is a bottom plan view thereof.
The broken lines shown in the drawings are for illustrative purposes only and form no part of the claimed design.

1 Claim, 7 Drawing Sheets



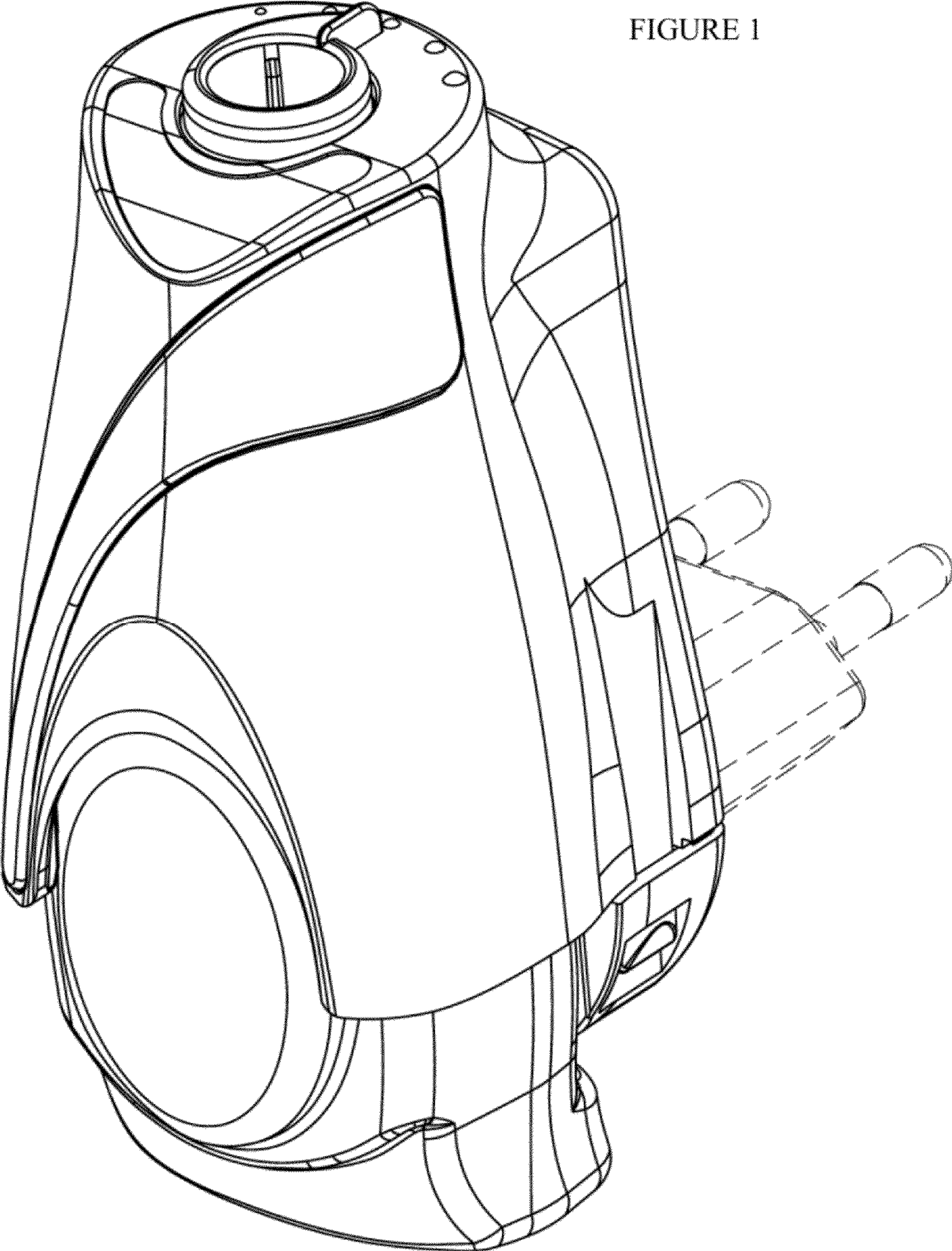


FIGURE 1

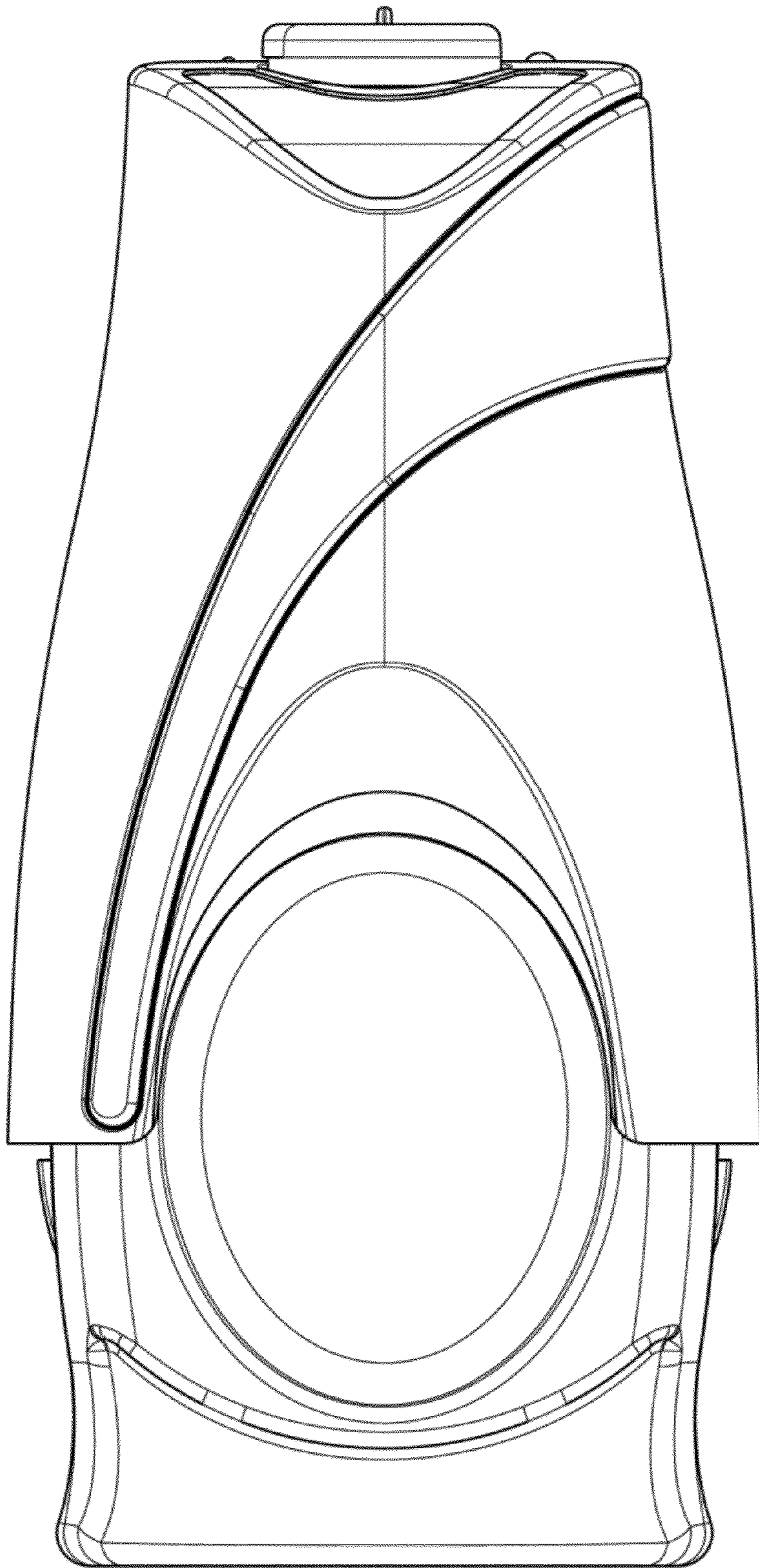
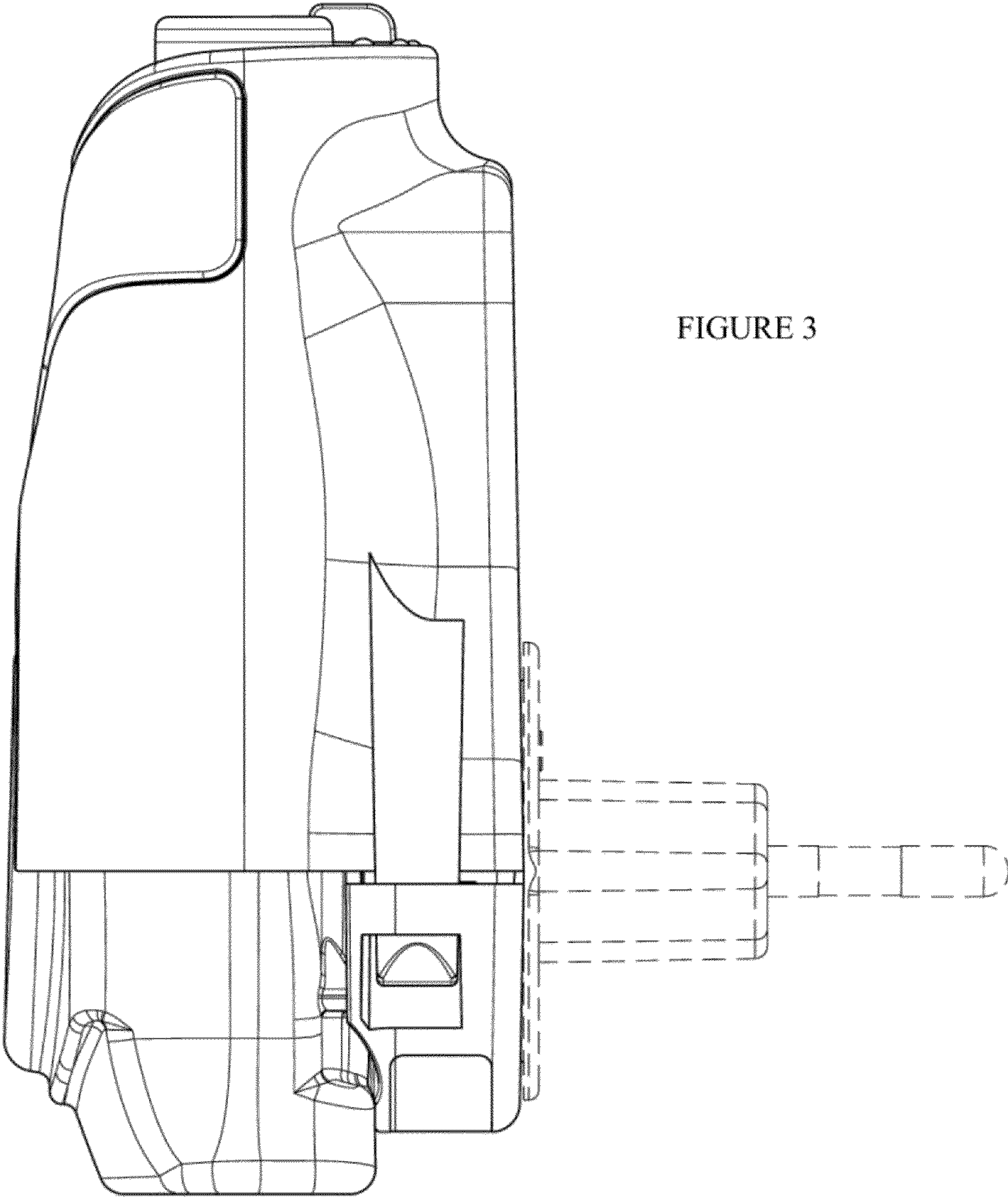


FIGURE 2



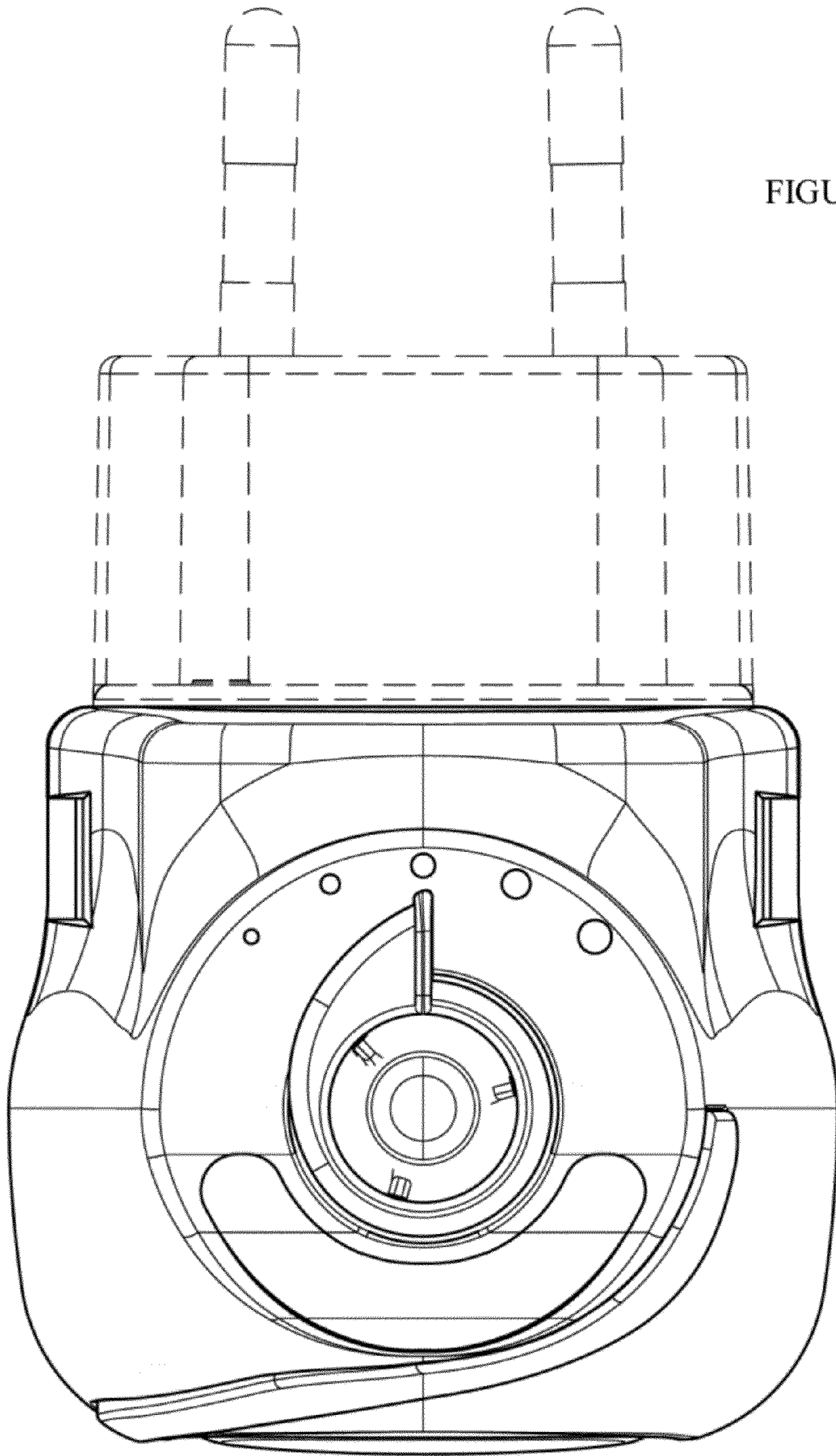


FIGURE 4

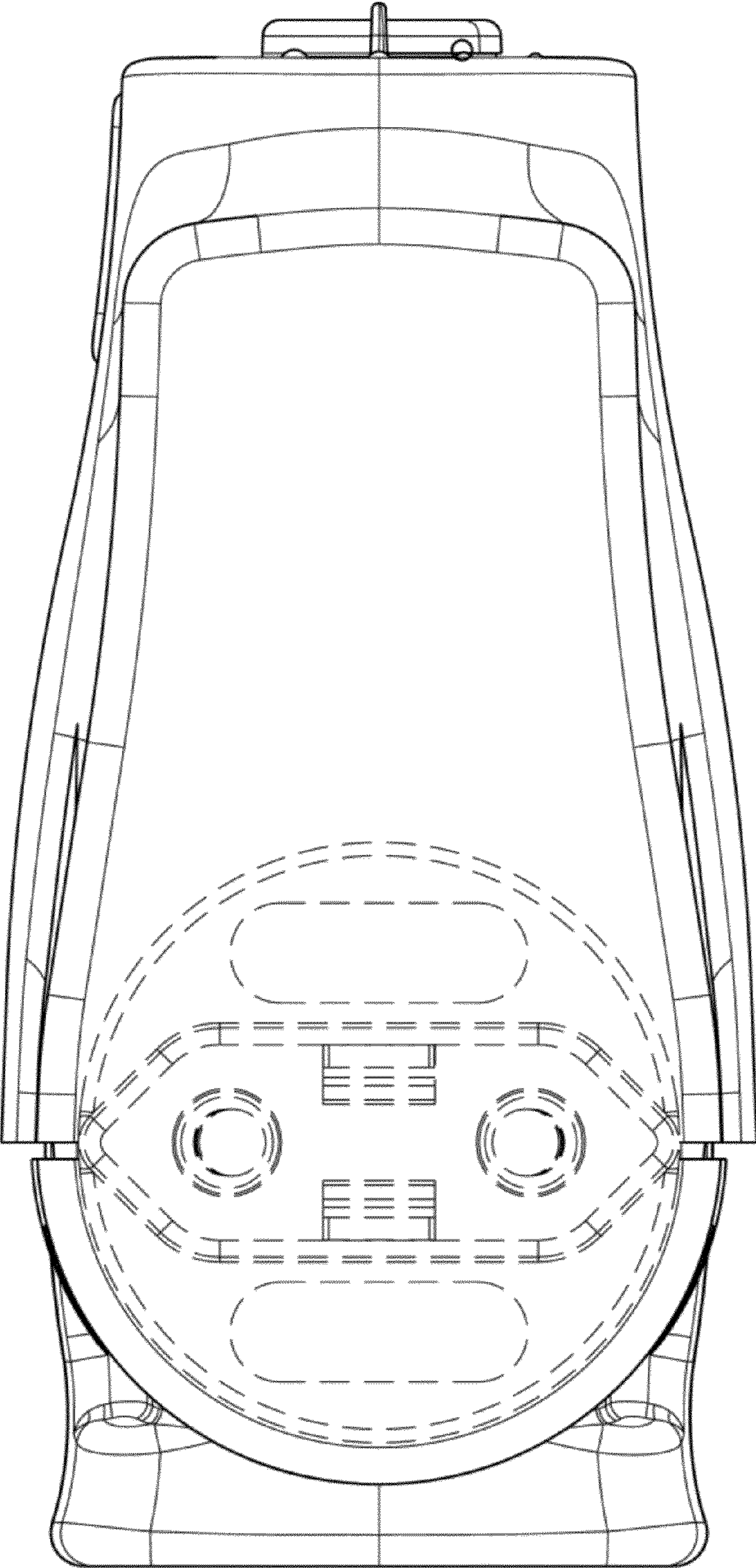
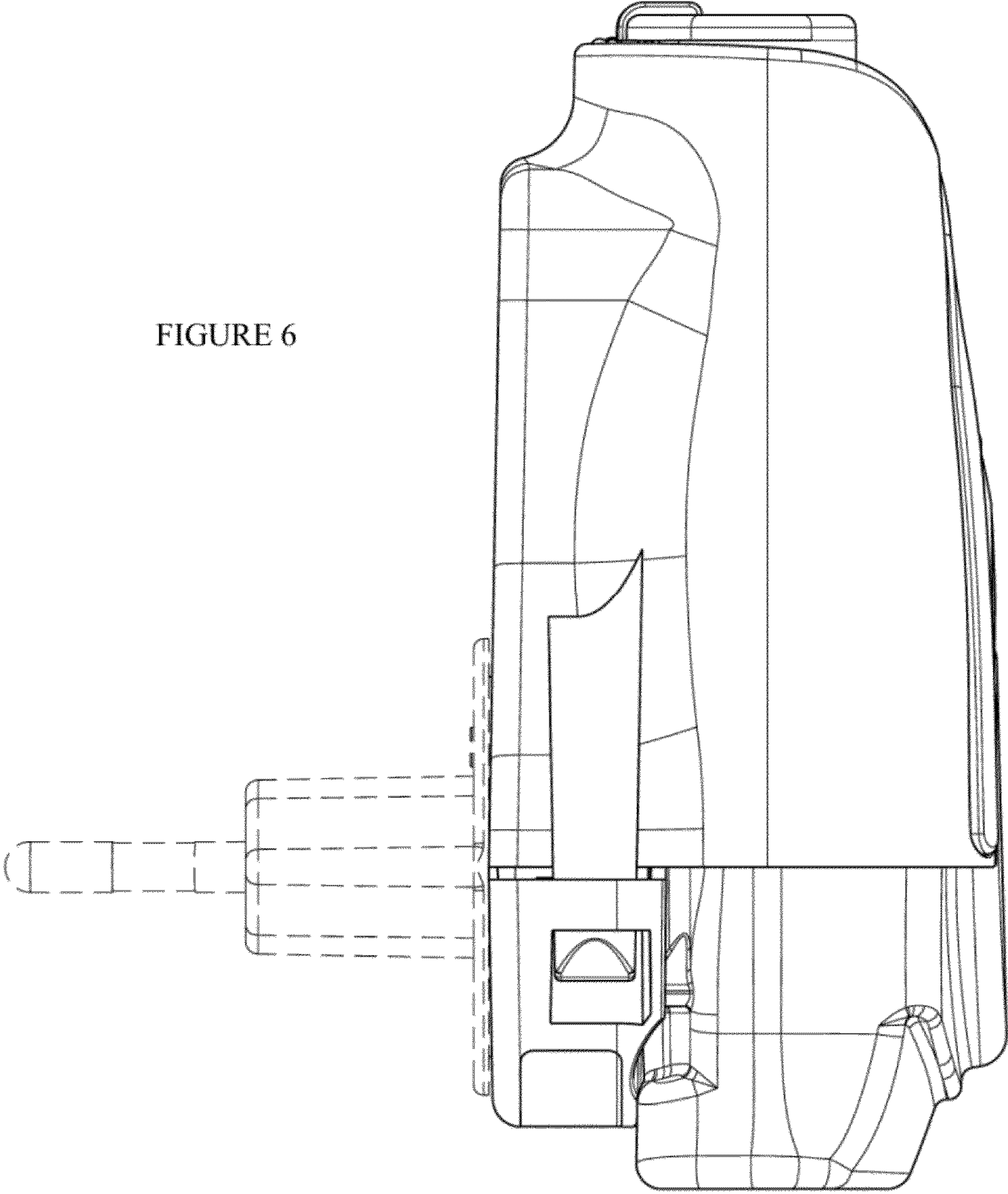


FIGURE 5

FIGURE 6



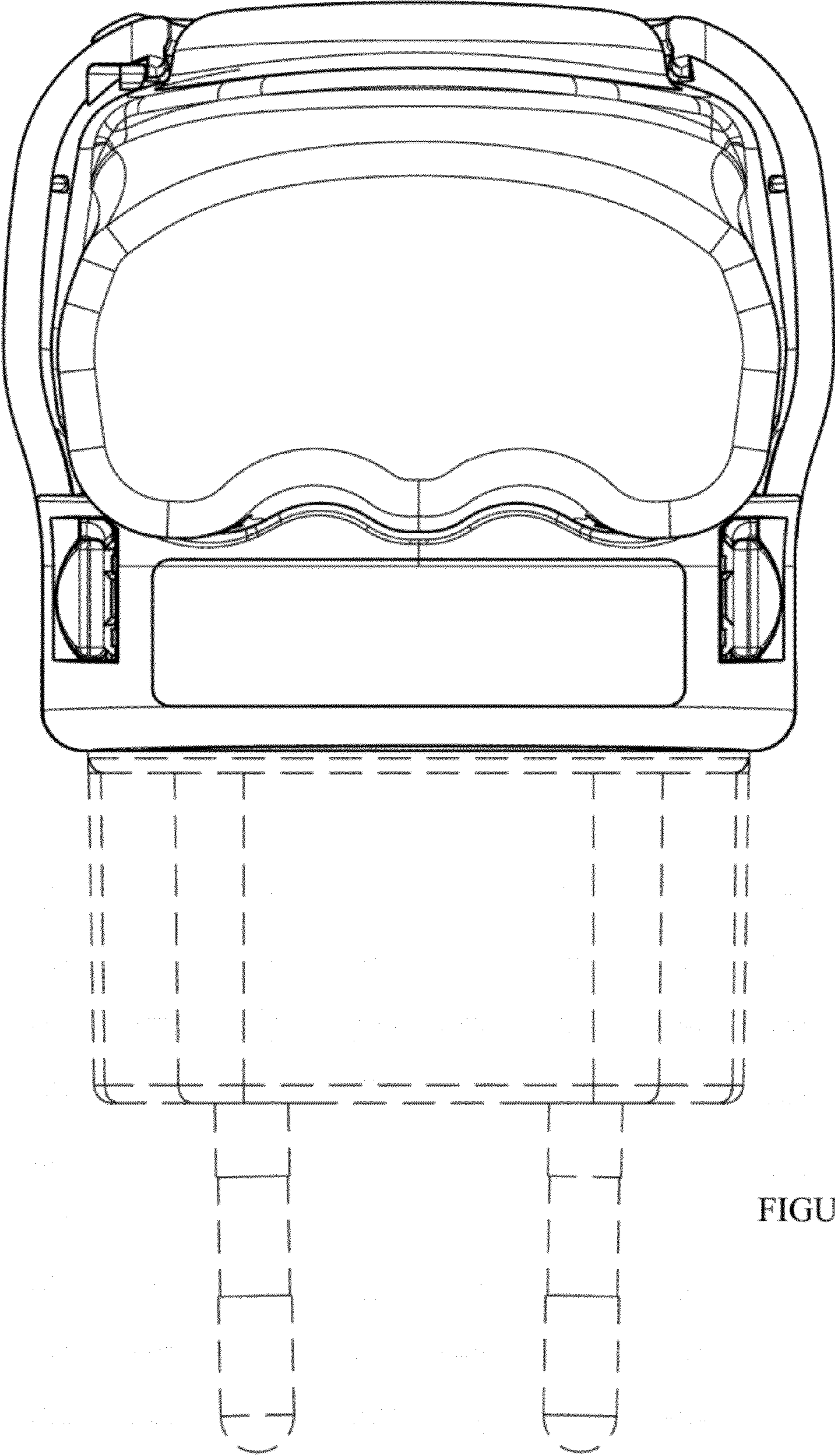


FIGURE 7