



US00D657858S

(12) **United States Design Patent**
Platt

(10) **Patent No.:** **US D657,858 S**

(45) **Date of Patent:** **** Apr. 17, 2012**

(54) **FILTER FRAME**

(75) Inventor: **Keith Platt**, Snellville, GA (US)

(73) Assignee: **Diversitech Corporation**, Duluth, GA (US)

(**) Term: **14 Years**

(21) Appl. No.: **29/396,194**

(22) Filed: **Jun. 27, 2011**

(51) **LOC (9) Cl.** **23-04**

(52) **U.S. Cl.** **D23/365**

(58) **Field of Classification Search** D23/365,
D23/209, 363, 358, 386, 354, 341, 364, 397,
D23/393, 400, 401, 261; 55/385.3, 502,
55/497, 506, 505, 521, 495, 422, 493, DIG. 30;
210/435, 130, 136, 248, 339, 448, 452, 497.1,
210/163; D25/138, 156, 152, 153, 157, 164,
D25/35; 404/2, 4; 126/152 R; 4/507

See application file for complete search history.

(56) **References Cited**

U.S. PATENT DOCUMENTS

3,093,323	A *	6/1963	Guth, Jr.	D25/156
5,505,603	A	4/1996	Baracchi et al.	
5,512,172	A	4/1996	Marble	
5,782,944	A *	7/1998	Justice	55/495
5,810,898	A	9/1998	Miller	
D433,165	S *	10/2000	Moreau et al.	D25/156
6,270,546	B1 *	8/2001	Jeanseau et al.	55/502
D511,377	S *	11/2005	Erwan et al.	D23/393
7,004,989	B2 *	2/2006	Karlsson	55/497
D518,143	S *	3/2006	Weidler et al.	D23/209
D523,110	S *	6/2006	Anderson	D23/209
7,070,641	B1 *	7/2006	Gunderson et al.	55/497
7,156,891	B2 *	1/2007	Winters et al.	55/497
D581,511	S *	11/2008	Rosten et al.	D23/393
D605,275	S *	12/2009	Kawano et al.	D23/365

D607,585	S *	1/2010	Larson	D25/138
D618,368	S *	6/2010	Jenkins et al.	D25/156
7,771,517	B2 *	8/2010	Dralle	55/497
7,810,487	B2 *	10/2010	Johnston	126/152 R
D628,267	S *	11/2010	Dittmann et al.	D23/209

(Continued)

OTHER PUBLICATIONS

PCT International Search Report issued by the U.S. Patent & Trade-mark Office as International Search Authority on Jul. 11, 2011.

Primary Examiner — David Muller

(74) *Attorney, Agent, or Firm* — Smith Gambrell & Russell LLP

(57) **CLAIM**

The ornamental design for a filter frame, as shown and described.

DESCRIPTION

FIG. 1 is a top perspective view of a filter frame of the present invention;

FIG. 2 is a top plan view of the filter frame;

FIG. 3 is a bottom plan view of the filter frame;

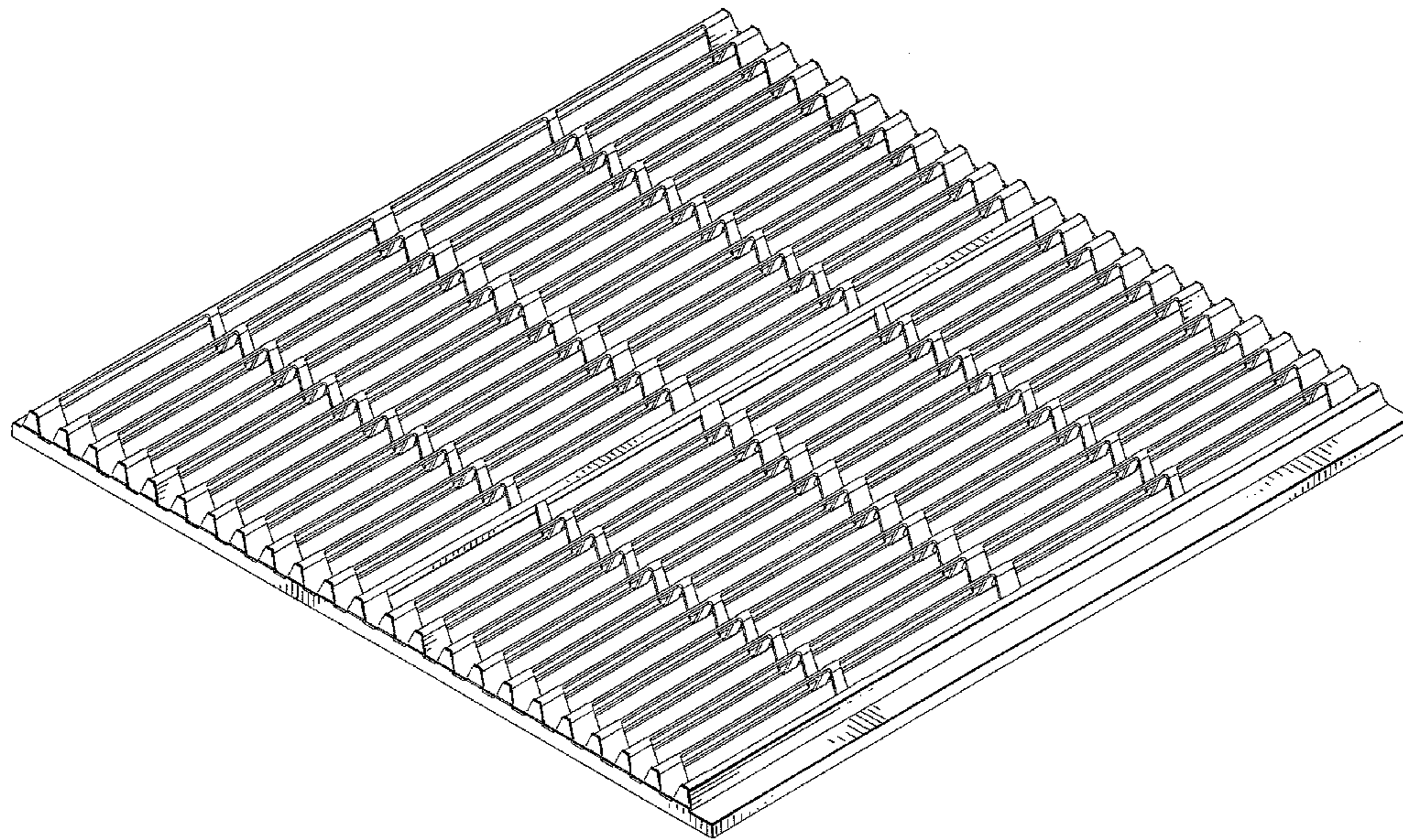
FIG. 4 is an elevation view showing the front and back of the filter frame;

FIG. 5 is an elevation view showing both sides of the filter frame; and,

FIG. 6 is a detailed cutaway view of the side of the filter frame showing a center ridge on the left side of FIG. 6 corresponding to the center ridge in FIG. 5 and showing three representative ridges on the right side of FIG. 6 corresponding to the three rightmost ridges in FIG. 5.

The dash dot lines in FIGS. 5 and 6 show center lines and form no part of the claimed design.

1 Claim, 4 Drawing Sheets



US D657,858 S

Page 2

U.S. PATENT DOCUMENTS

D636,099	S	*	4/2011	Curtin et al.	D25/156	2007/0271887	A1	11/2007	Osborne et al.
2001/0032545	A1		10/2001	Goto et al.		2007/0289274	A1	12/2007	Justice et al.
2002/0089084	A1		7/2002	Kandel		2008/0203614	A1	8/2008	Holzmann et al.
2005/0138906	A1		6/2005	Kubokawa et al.		2008/0276805	A1	11/2008	Lotgerink-Bruinenberg
2006/0249443	A1		11/2006	Chilton et al.					

* cited by examiner

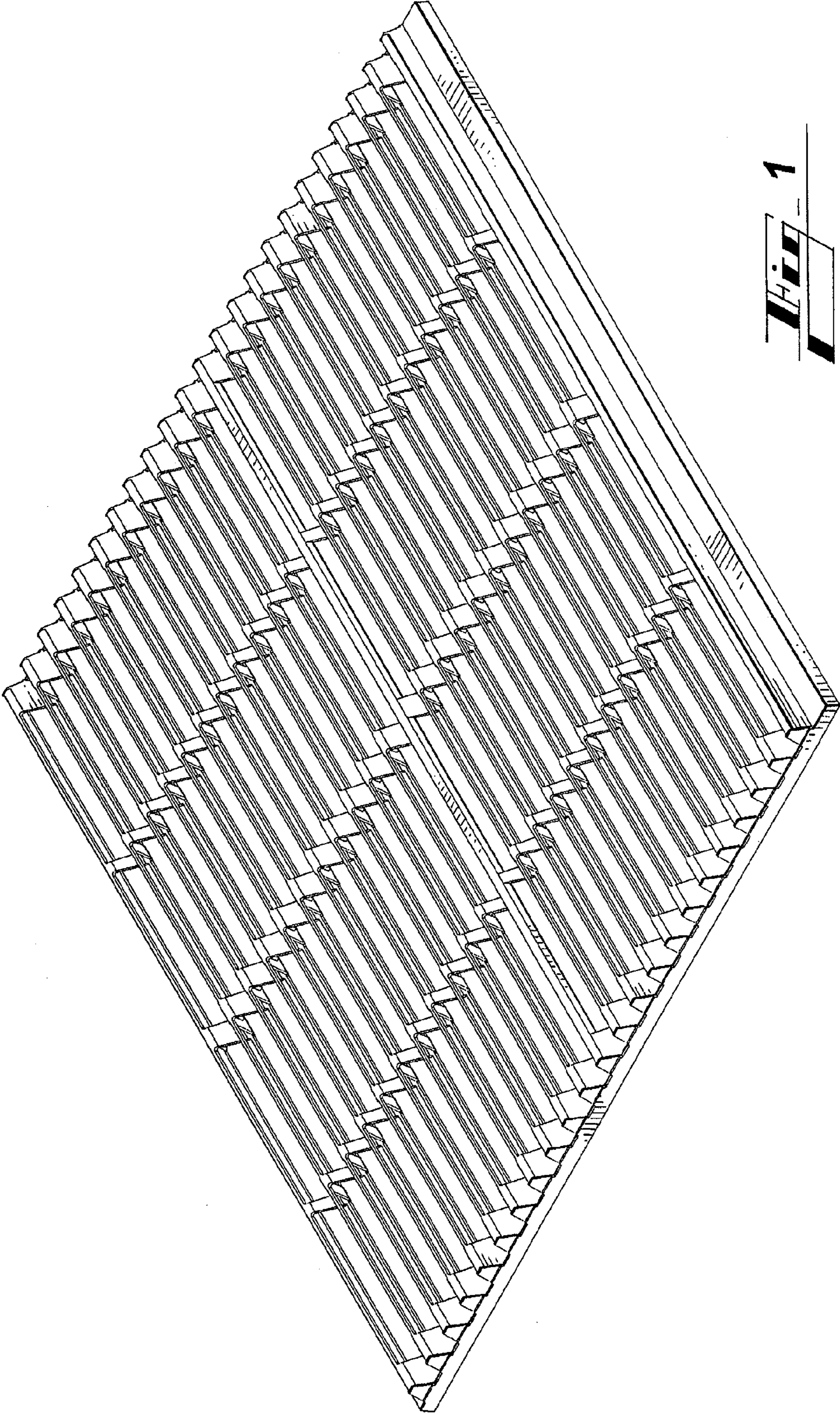


FIG. 1

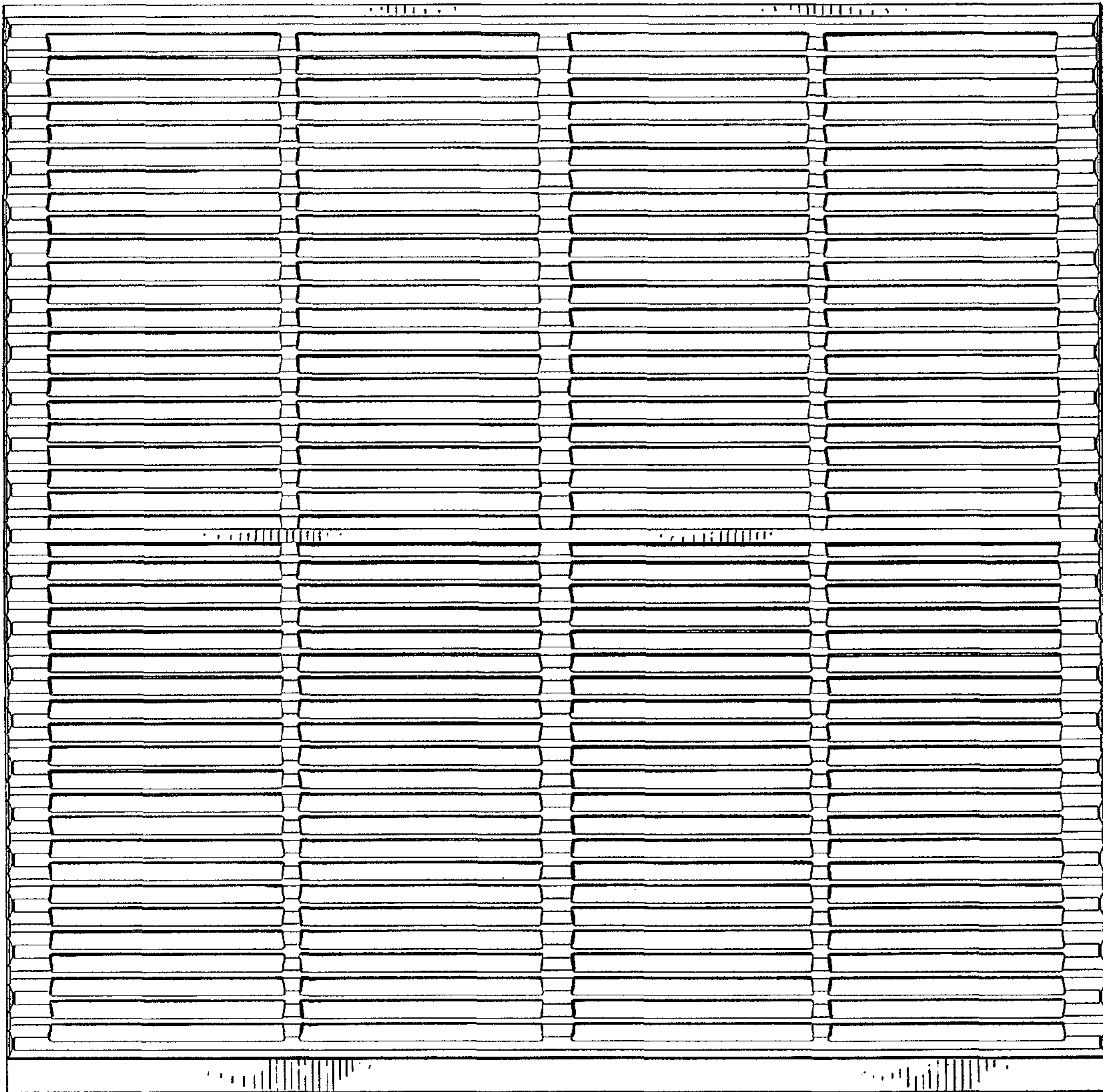


Fig. 2





Fig. 4

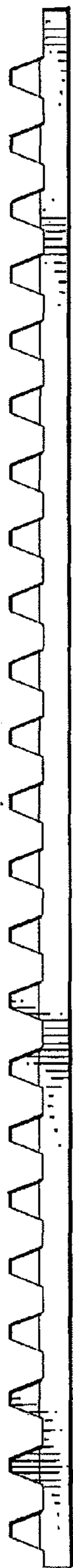


Fig. 5

Fig. 6

