



US00D657857S

(12) **United States Design Patent**
Choi

(10) **Patent No.:** **US D657,857 S**

(45) **Date of Patent:** **** Apr. 17, 2012**

(54) **AIR PURIFIER**

(75) Inventor: **Hun Jung Choi**, Seoul (KR)

(73) Assignee: **Woongjin Coway Co., Ltd.**,
Choongcheongnam-Do (KR)

(**) Term: **14 Years**

(21) Appl. No.: **29/385,886**

(22) Filed: **Feb. 22, 2011**

(30) **Foreign Application Priority Data**

Aug. 25, 2010 (KR) 30-2010-0037224

(51) **LOC (9) Cl.** **23-04**

(52) **U.S. Cl.** **D23/364**

(58) **Field of Classification Search** D23/355-366,
D23/352, 369, 332, 333, 335, 336, 342, 351;
422/120, 122; 55/356, 473, 504; 96/97;
D14/188, 170, 172; 261/DIG. 17, DIG. 65,
261/DIG. 88, DIG. 31; D18/34.6

See application file for complete search history.

(56) **References Cited**

U.S. PATENT DOCUMENTS

D446,849 S *	8/2001	Weinberg	D23/364
D513,070 S *	12/2005	Haranaka	D23/355
D539,264 S *	3/2007	Kim et al.	D14/188
D539,883 S *	4/2007	Lee et al.	D23/351
D562,958 S *	2/2008	Feriani et al.	D23/366
D575,860 S *	8/2008	Wu	D23/366
D583,450 S *	12/2008	Choi	D23/364
D584,281 S *	1/2009	Kim et al.	D14/188
D594,538 S *	6/2009	Tsuji	D23/351

D599,896 S *	9/2009	Choi	D23/364
D605,269 S *	12/2009	Wagner et al.	D23/351
D607,552 S *	1/2010	Pattberg	D23/366
D619,236 S *	7/2010	Schlag et al.	D23/351

FOREIGN PATENT DOCUMENTS

JP D 1281696 9/2006

* cited by examiner

Primary Examiner — David Muller

(74) *Attorney, Agent, or Firm* — McDermott Will & Emery LLP

(57) **CLAIM**

I claim the ornamental design for an air purifier, as shown and described.

DESCRIPTION

FIG. 1 is a perspective view of an air purifier showing my new design;

FIG. 2 is a front view thereof;

FIG. 3 is a rear view thereof;

FIG. 4 is a left side view thereof;

FIG. 5 is a right side view thereof;

FIG. 6 is a top plan view thereof; and,

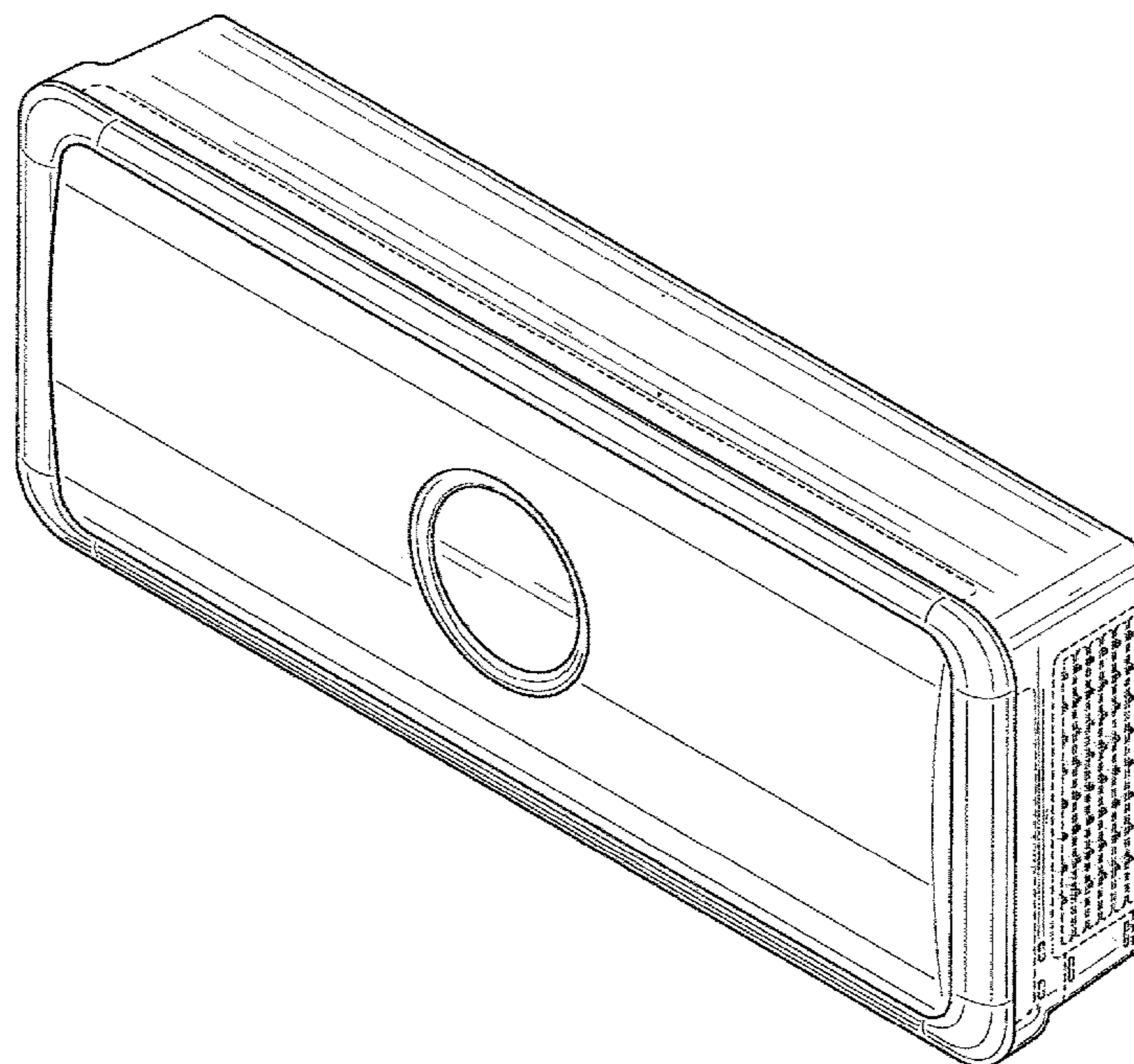
FIG. 7 is a bottom view thereof.

The air purifier is made of synthetic resins.

The air purifier is used for purifying an indoor air.

The broken line showing of parts of the drawings is included for the purpose of illustrating the use and environment, and forms no part of the claimed design.

1 Claim, 7 Drawing Sheets



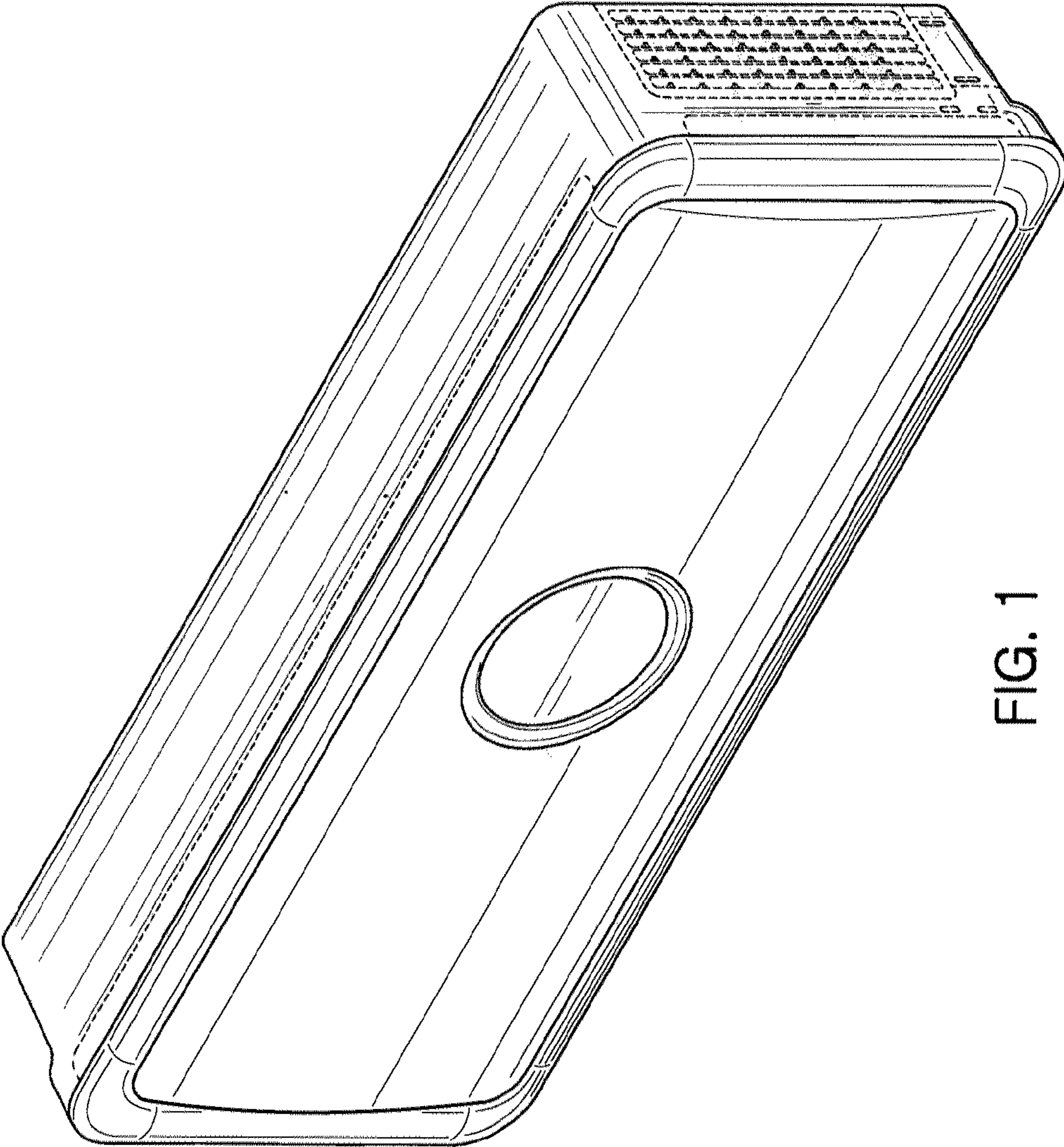


FIG. 1

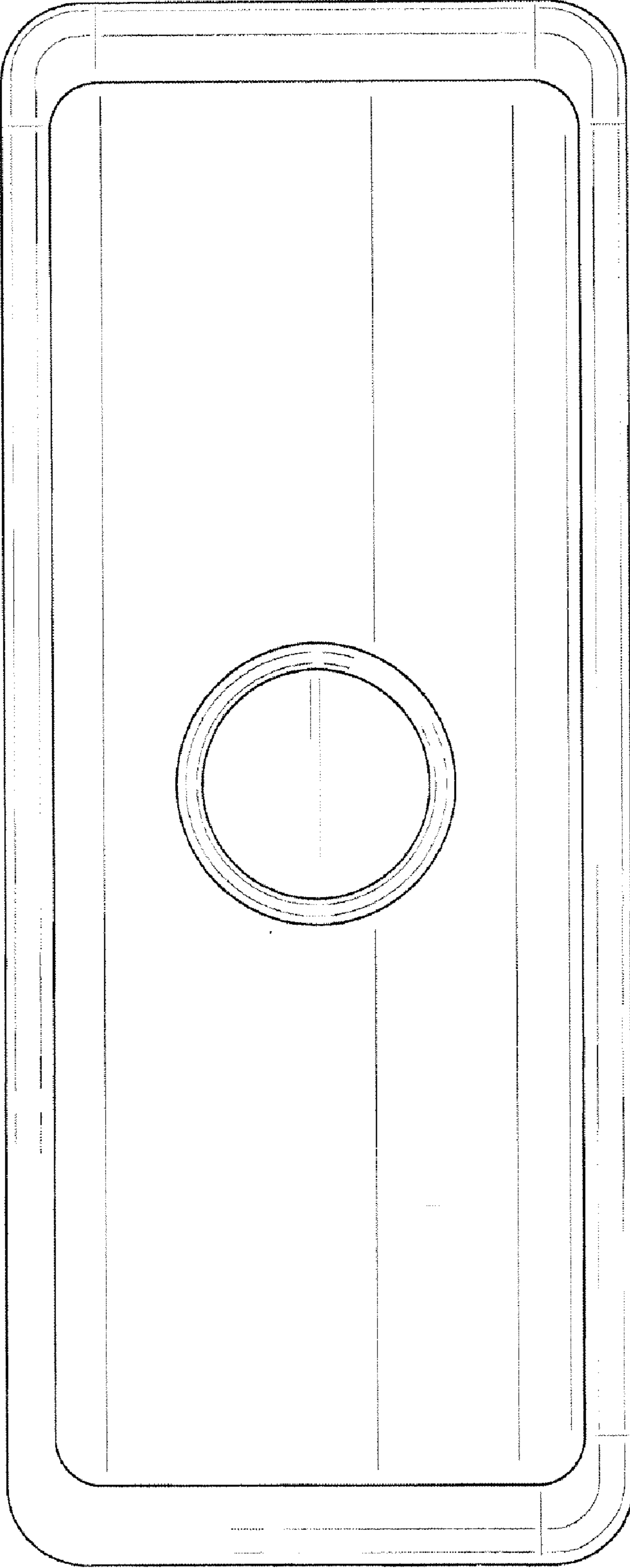


FIG. 2

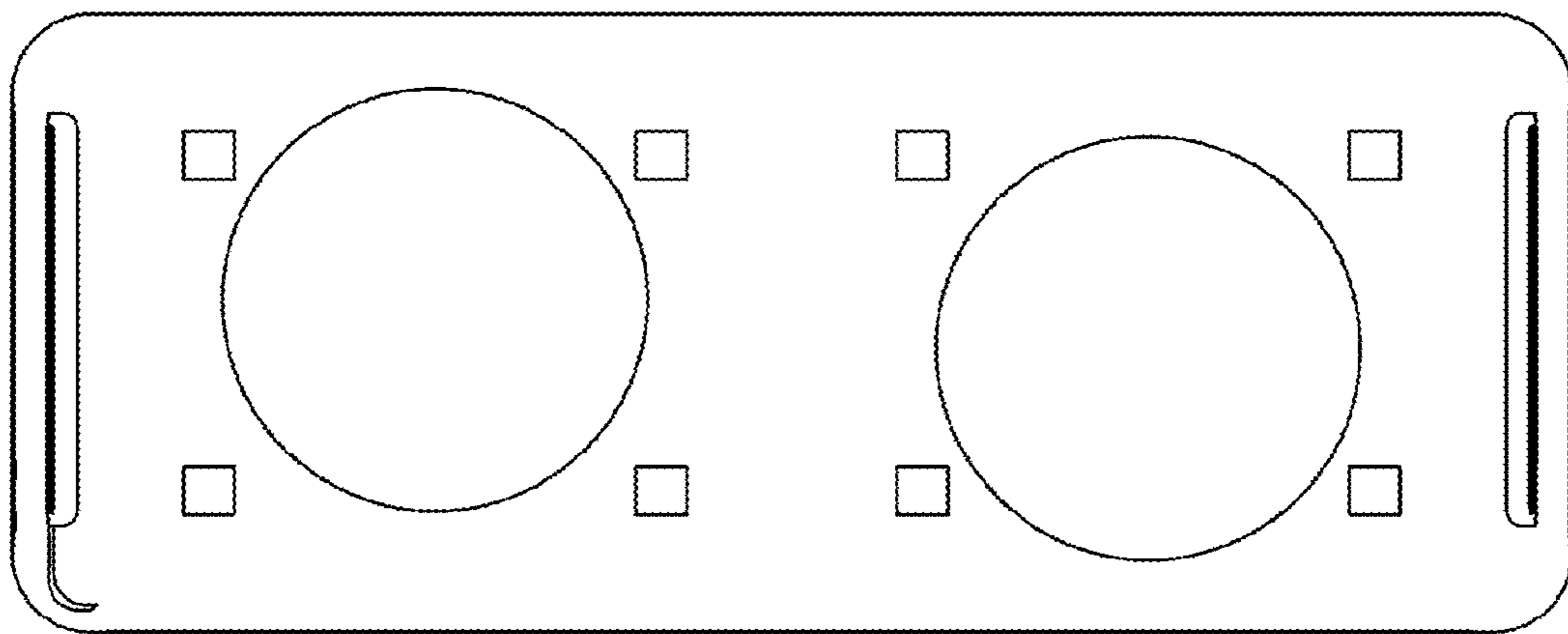


FIG. 3

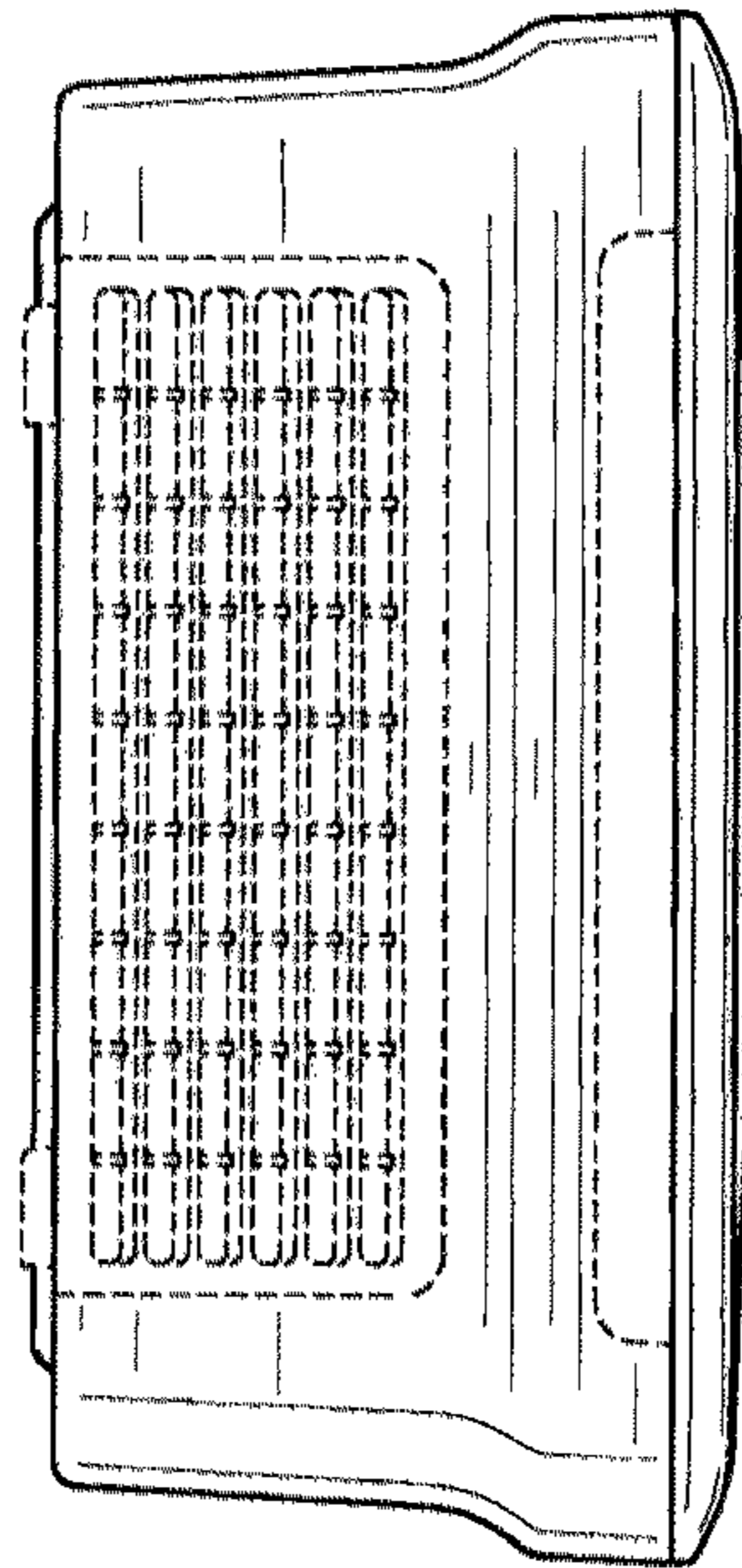


FIG. 4

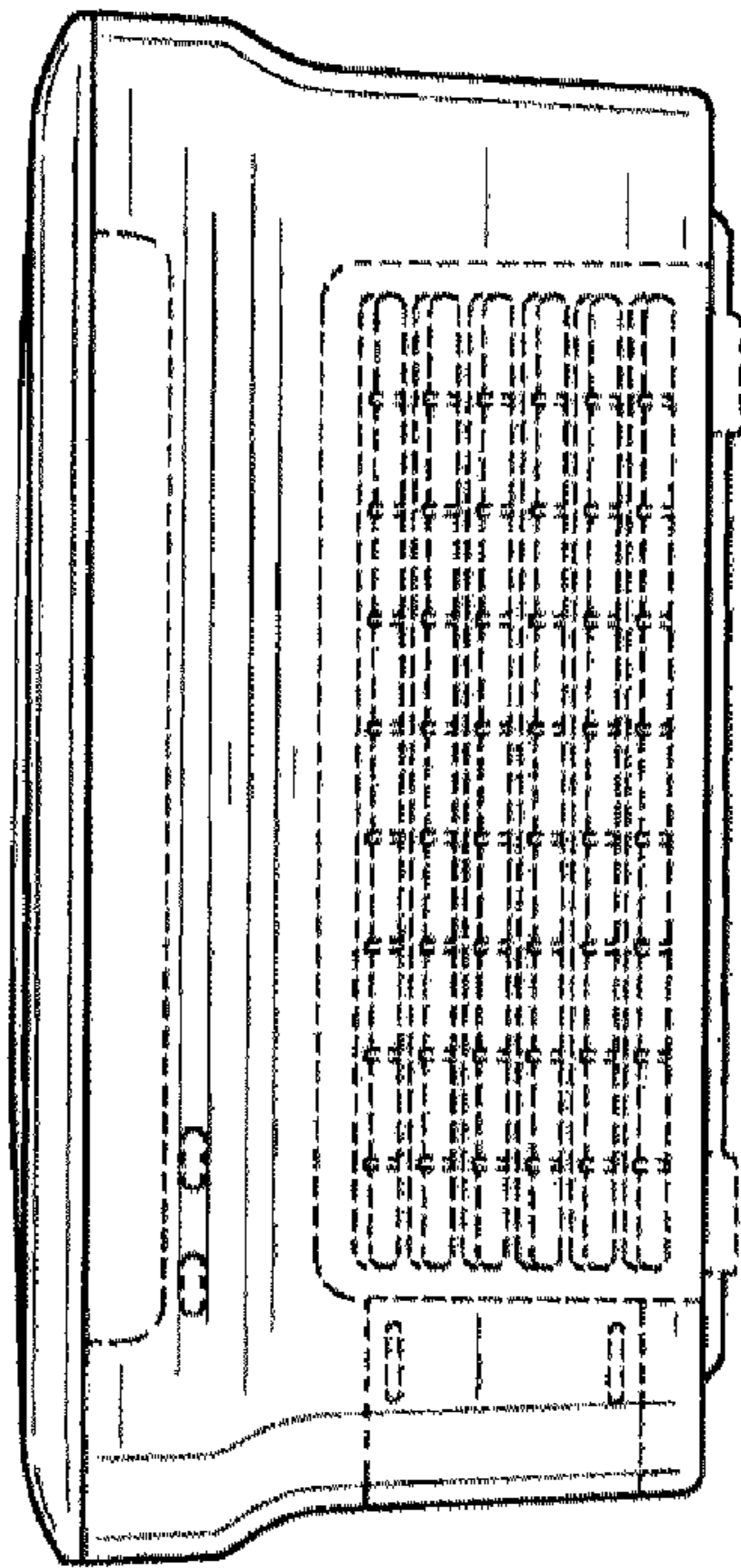


FIG. 5

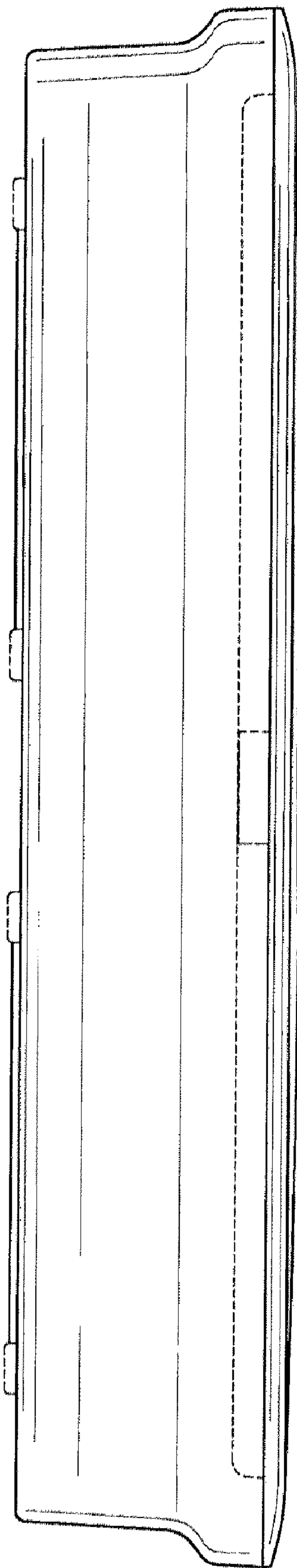


FIG. 6

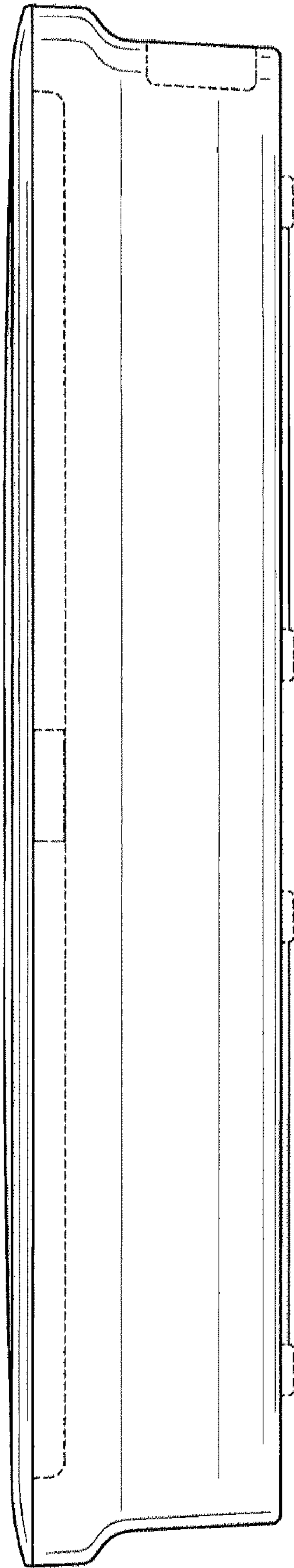


FIG. 7