



US00D657852S

(12) **United States Design Patent**  
**Vanderheyden et al.**

(10) **Patent No.:** **US D657,852 S**  
(45) **Date of Patent:** **\*\* Apr. 17, 2012**

(54) **TOILET**

(75) Inventors: **Jacob P. Vanderheyden**, Sheboygan, WI (US); **Jacob Lussion**, Clayton, MO (US); **Nicholas Paterson**, Whitefish Bay, WI (US)

(73) Assignee: **Kohler Co.**, Kohler, WI (US)

(\*\*) Term: **14 Years**

(21) Appl. No.: **29/385,782**

(22) Filed: **Feb. 18, 2011**

(51) **LOC (9) Cl.** ..... **23-02**

(52) **U.S. Cl.** ..... **D23/309**

(58) **Field of Classification Search** ..... D23/295,  
D23/301, 303, 309, 313; 4/300, 353, 420,  
4/DIG. 15

See application file for complete search history.

(56) **References Cited**

**U.S. PATENT DOCUMENTS**

D515,185 S *	2/2006	Daikubara	.....	D23/301
D621,012 S *	8/2010	Bucher	.....	D23/301
D621,013 S *	8/2010	Bucher	.....	D23/301
D621,488 S *	8/2010	Bucher	.....	D23/301
D628,279 S *	11/2010	Jiang	.....	D23/301

\* cited by examiner

*Primary Examiner* — Robert Delehanty

(74) *Attorney, Agent, or Firm* — Foley & Lardner LLP

(57) **CLAIM**

We claim the ornamental design for a toilet, as shown and described.

**DESCRIPTION**

FIG. 1 is a top perspective view of an embodiment of the claimed design;

FIG. 2 is a front elevation view of the claimed design of FIG. 1;

FIG. 3 is a left-side elevation view of the claimed design of FIG. 1;

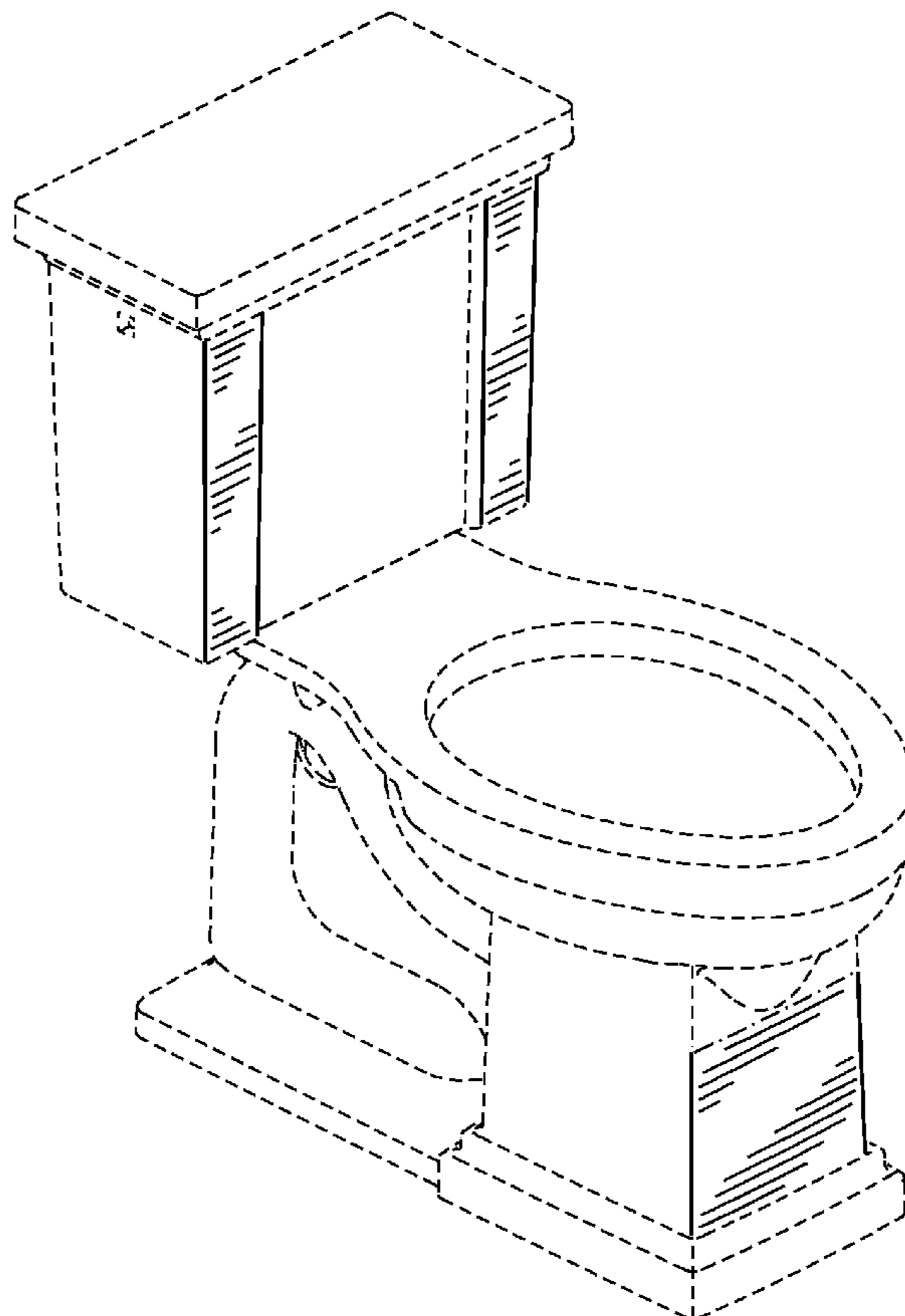
FIG. 4 is a right-side elevation view of the claimed design of FIG. 1;

FIG. 5 is a rear elevation view of the claimed design of FIG. 1;

FIG. 6 is a top plan view of the claimed design of FIG. 1; and,

FIG. 7 is a bottom plan view of the claimed design of FIG. 1. The ornamental design which is claimed is shown in solid lines in the drawings. The broken lines in the drawings are for illustrative purposes only and form no part of the claimed design.

**1 Claim, 5 Drawing Sheets**



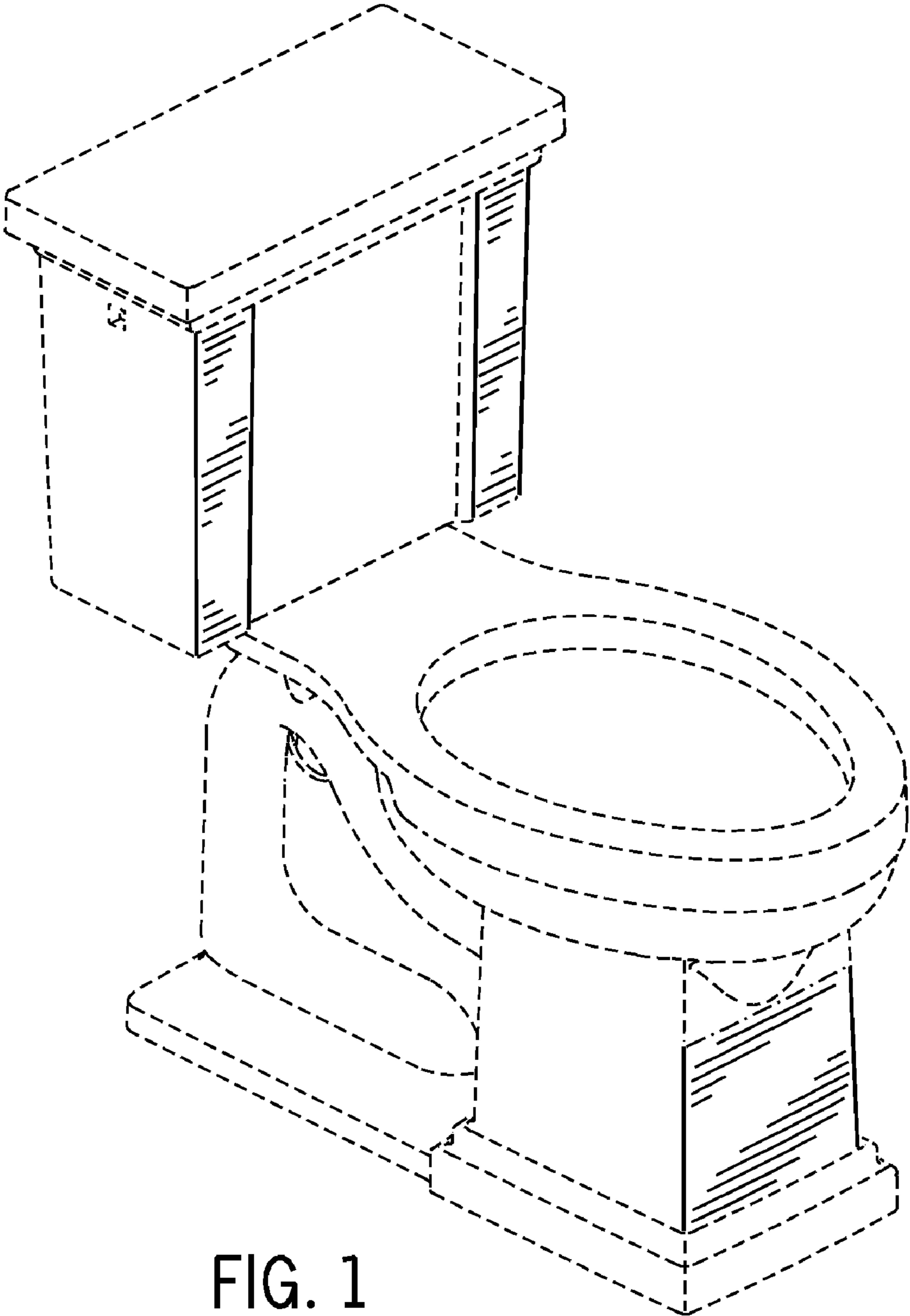


FIG. 1

FIG. 2

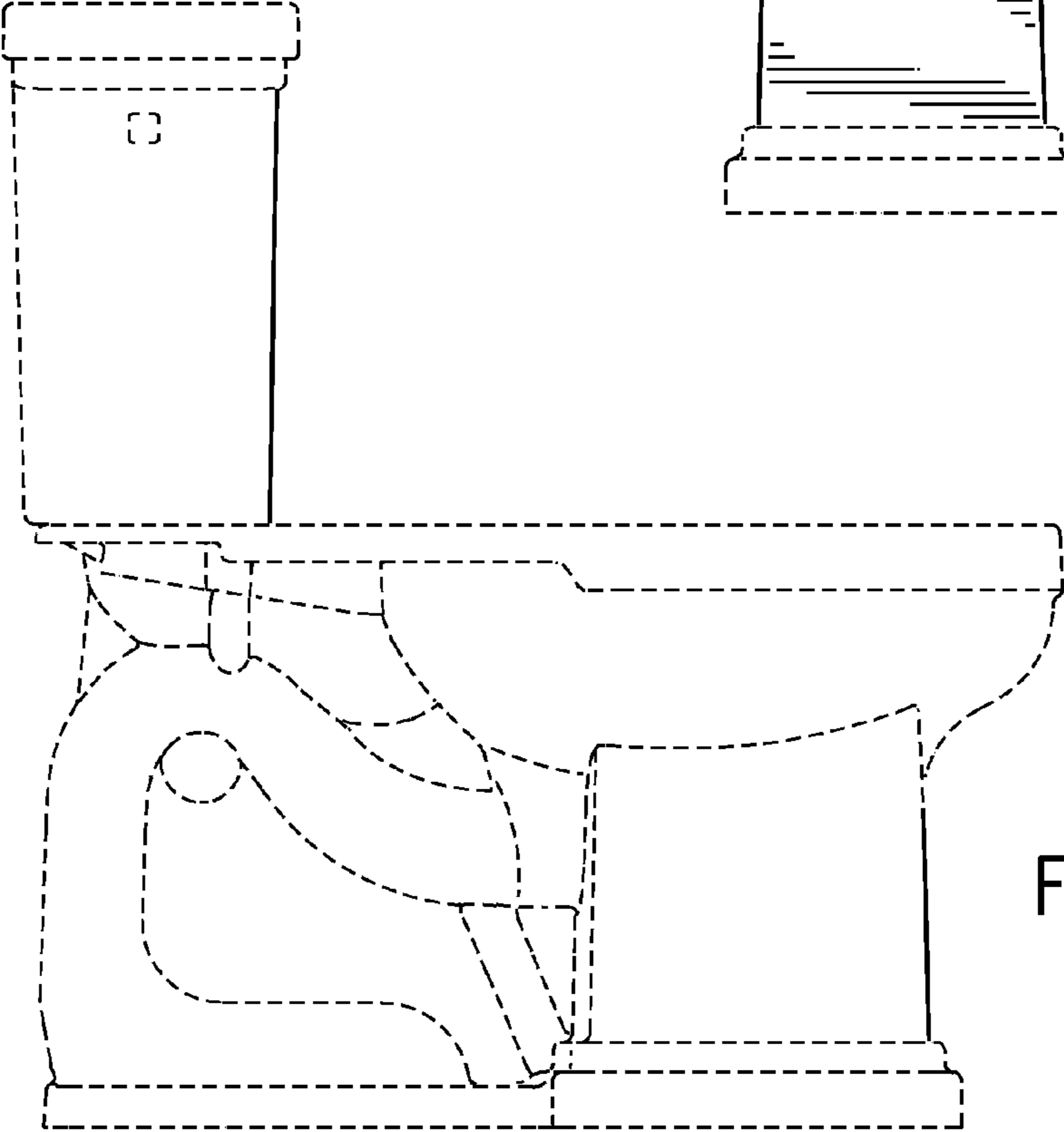
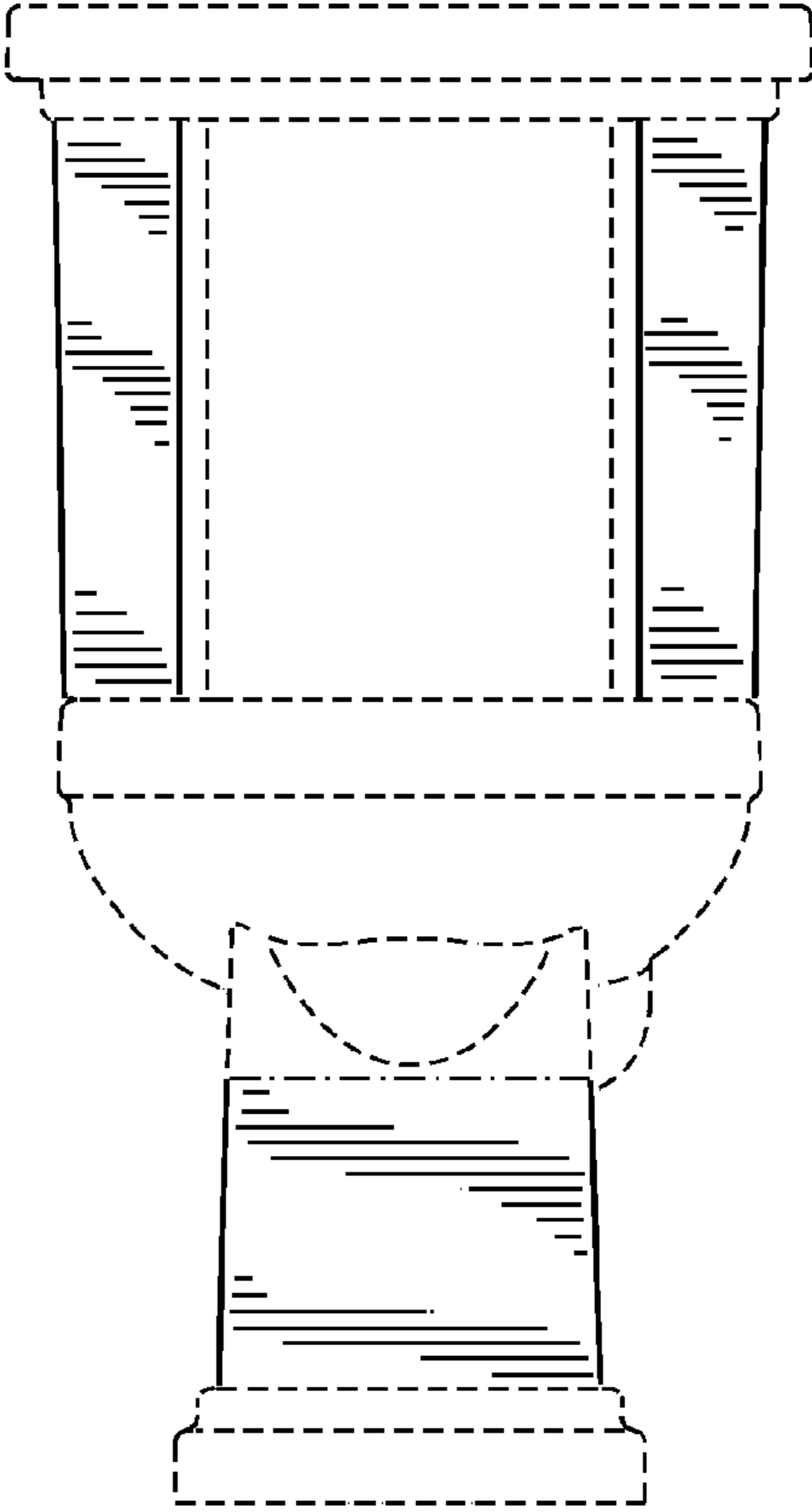


FIG. 3

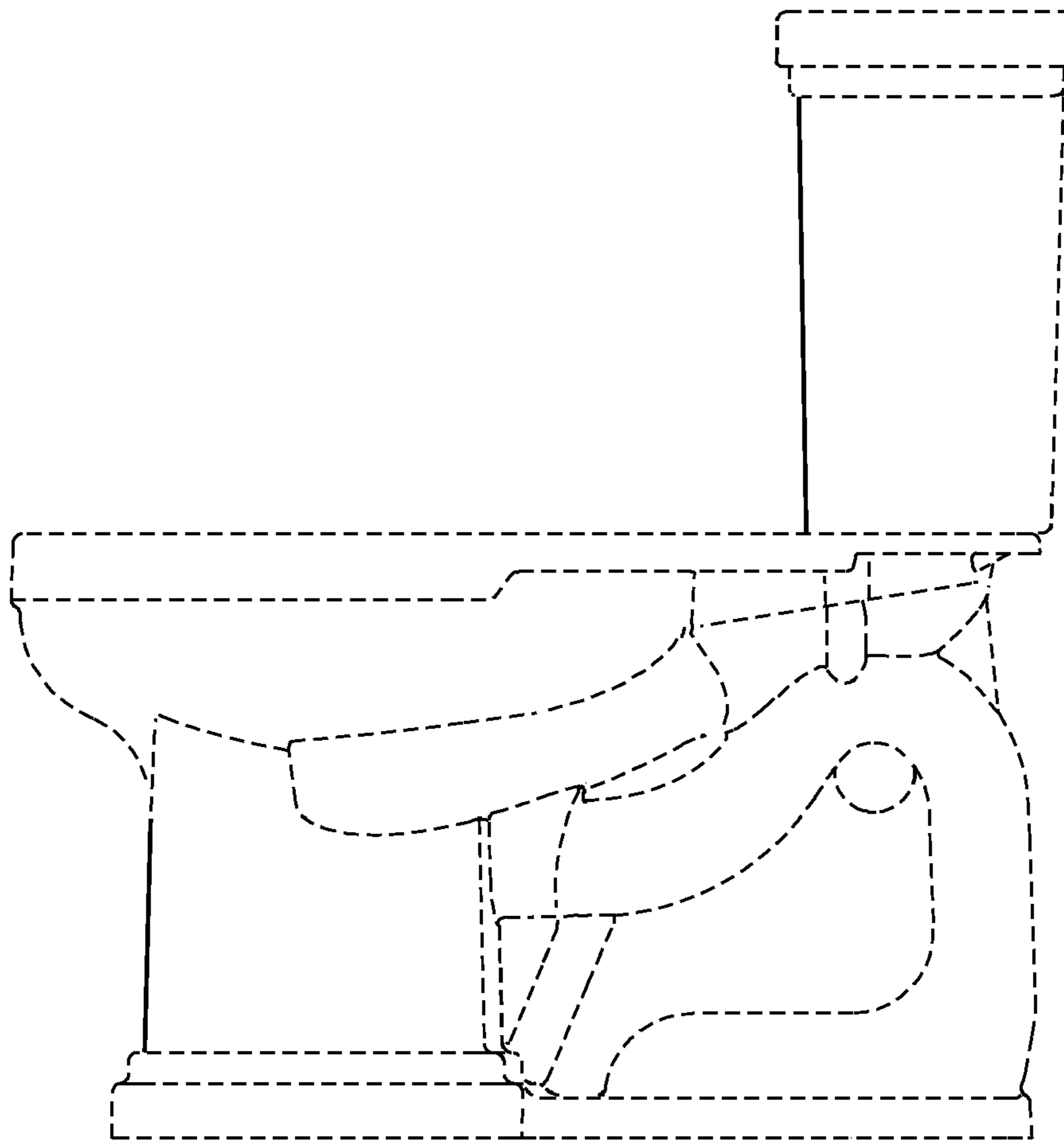


FIG. 4

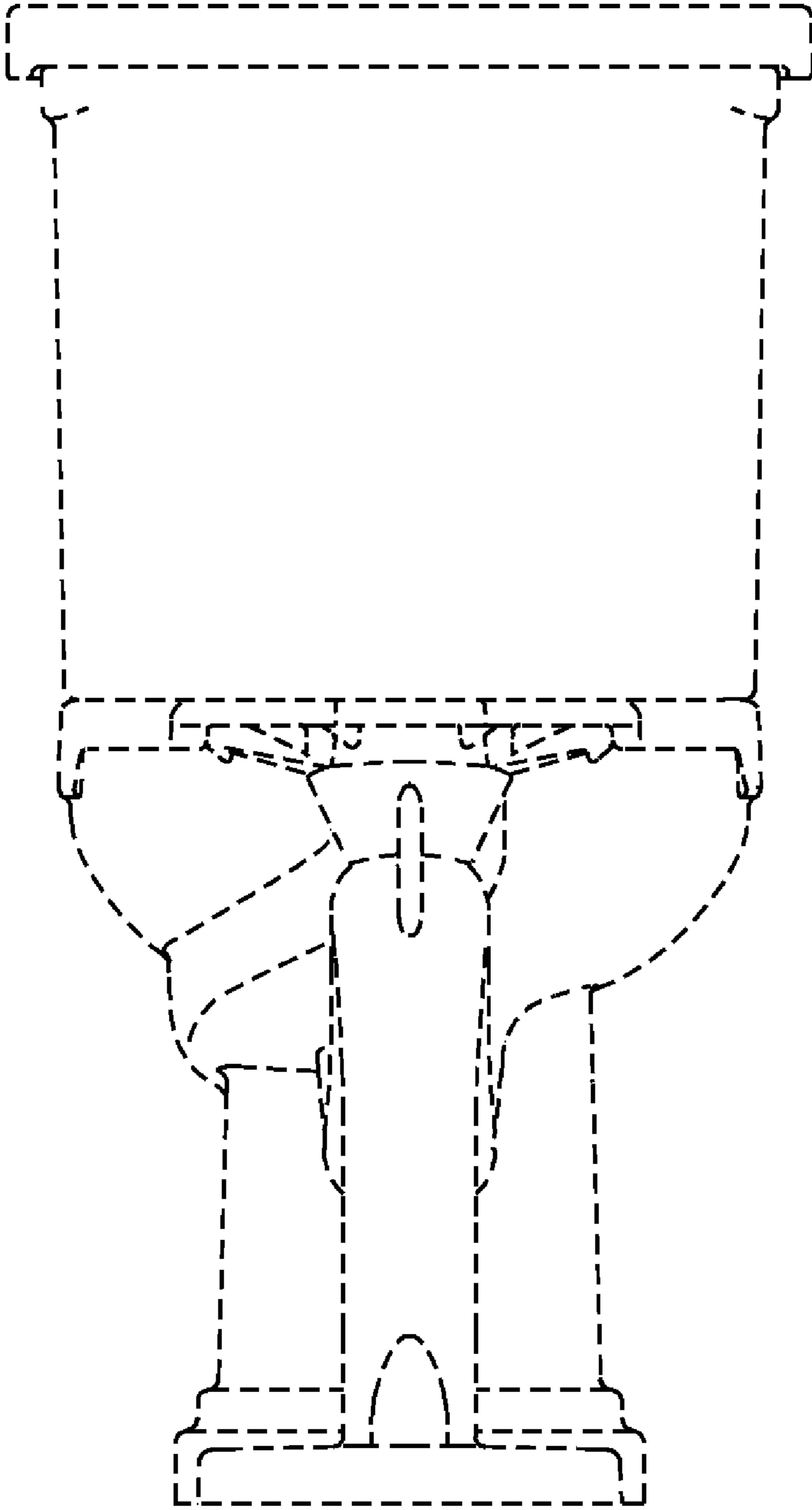


FIG. 5

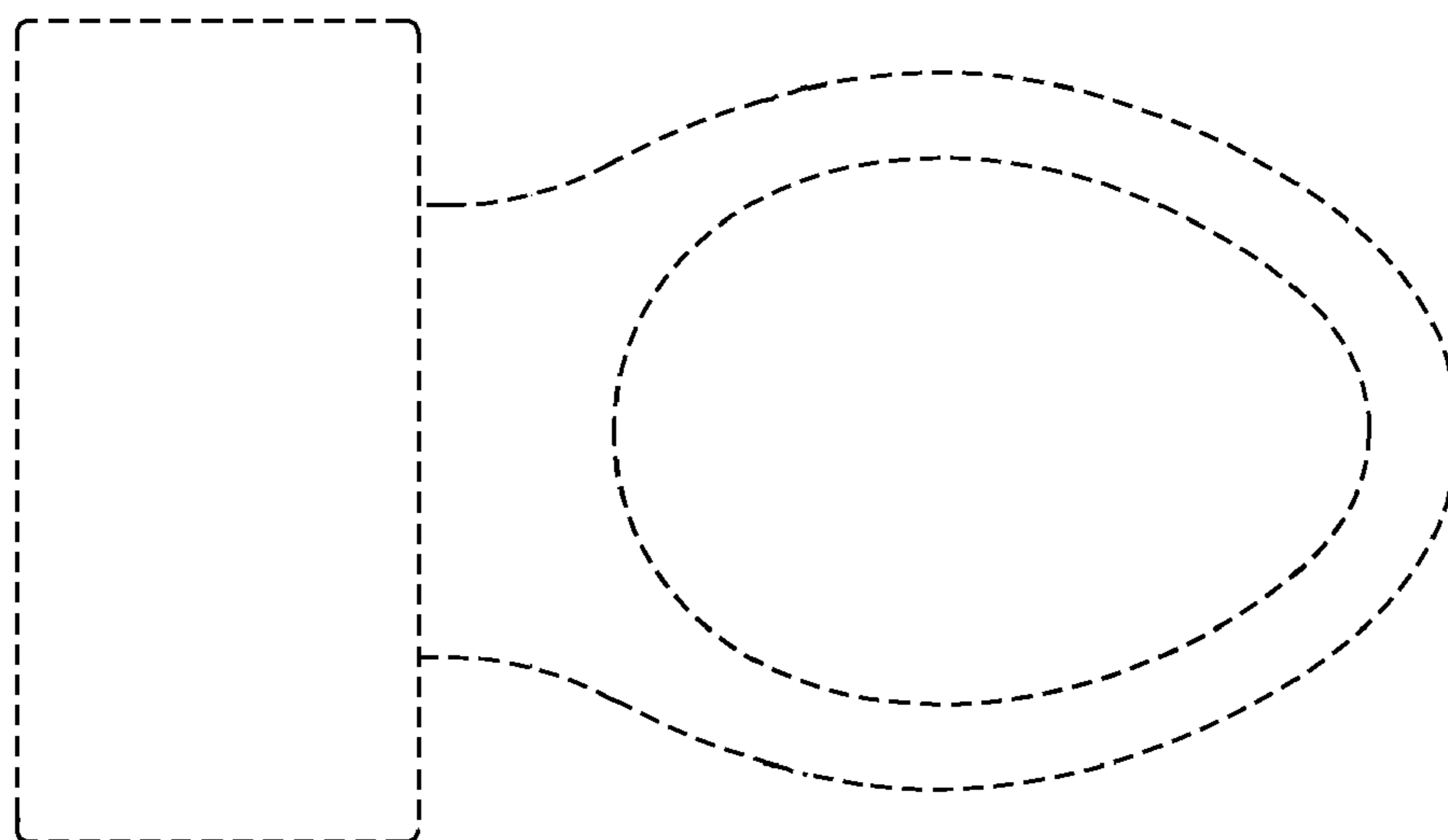


FIG. 6

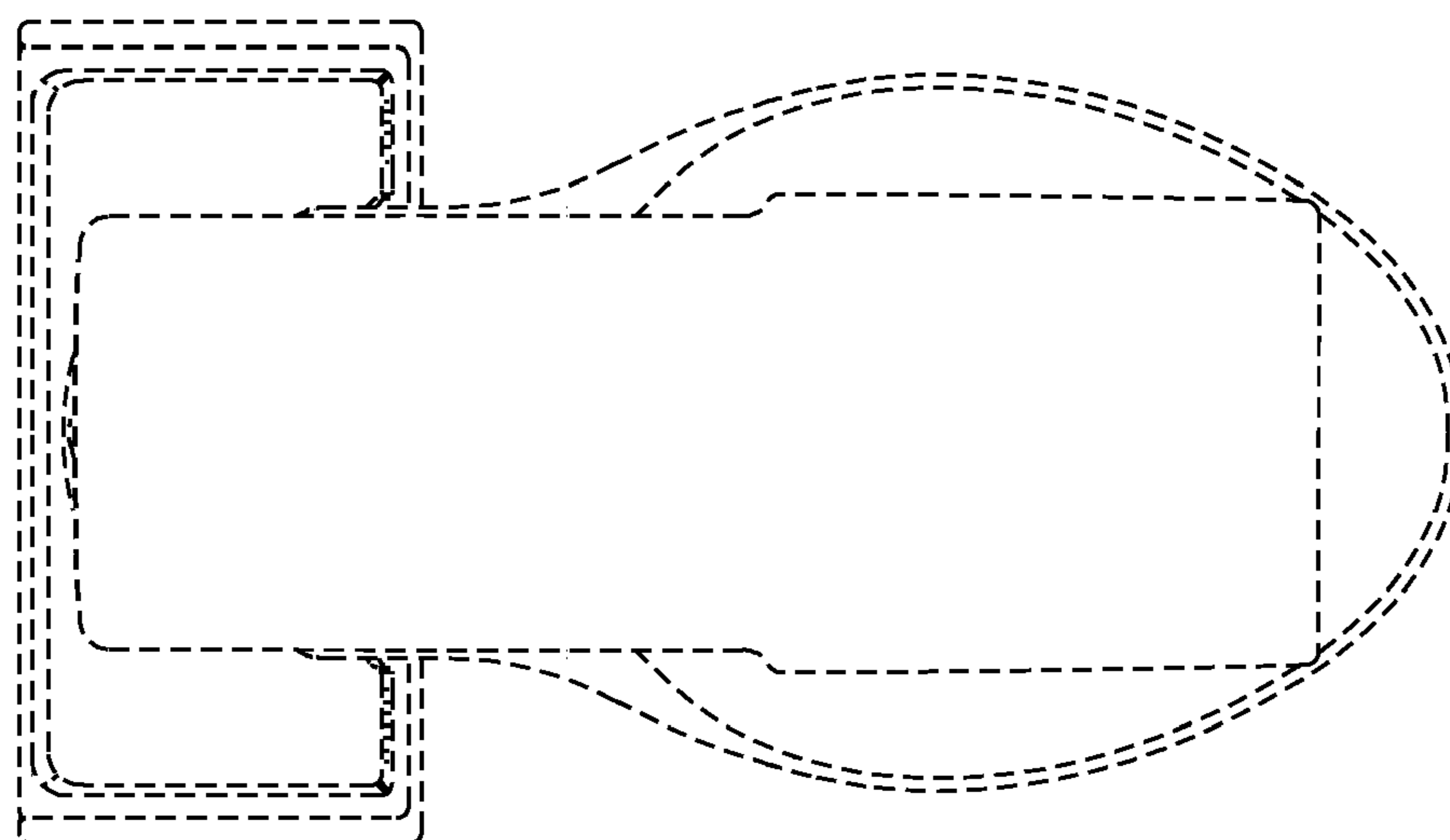


FIG. 7