



US00D657851S

(12) **United States Design Patent**
Eilmus

(10) **Patent No.:** **US D657,851 S**
(45) **Date of Patent:** **** Apr. 17, 2012**

(54) **SINK**

(74) *Attorney, Agent, or Firm* — **Foley & Lardner LLP**

(75) **Inventor:** **Niels Eilmus**, Sheboygan, WI (US)

(57) **CLAIM**

I claim the ornamental design for a sink, as shown and described.

(73) **Assignee:** **Kohler Co.**, Kohler, WI (US)

(**) **Term:** **14 Years**

DESCRIPTION

(21) **Appl. No.:** **29/394,690**

FIG. 1 is a top perspective view of an embodiment of the claimed design;

(22) **Filed:** **Jun. 20, 2011**

FIG. 2 is a top plan view of the claimed design of FIG. 1;

(51) **LOC (9) Cl.** **23-02**

FIG. 3 is a front elevation view of the claimed design of FIG. 1;

(52) **U.S. Cl.** **D23/290**

FIG. 4 is a right-side elevation view of the claimed design of FIG. 1;

(58) **Field of Classification Search** D23/284-285,
D23/290, 291, 292, 289, 293.1, 308; 4/619
See application file for complete search history.

FIG. 5 is a left-side elevation view of the claimed design of FIG. 1;

(56) **References Cited**

U.S. PATENT DOCUMENTS

5,279,007	A *	1/1994	Kolada	4/639
D352,771	S *	11/1994	Walsh et al.	D23/290
D498,831	S *	11/2004	Bayer et al.	D23/290
D510,418	S *	10/2005	Painter	D23/290

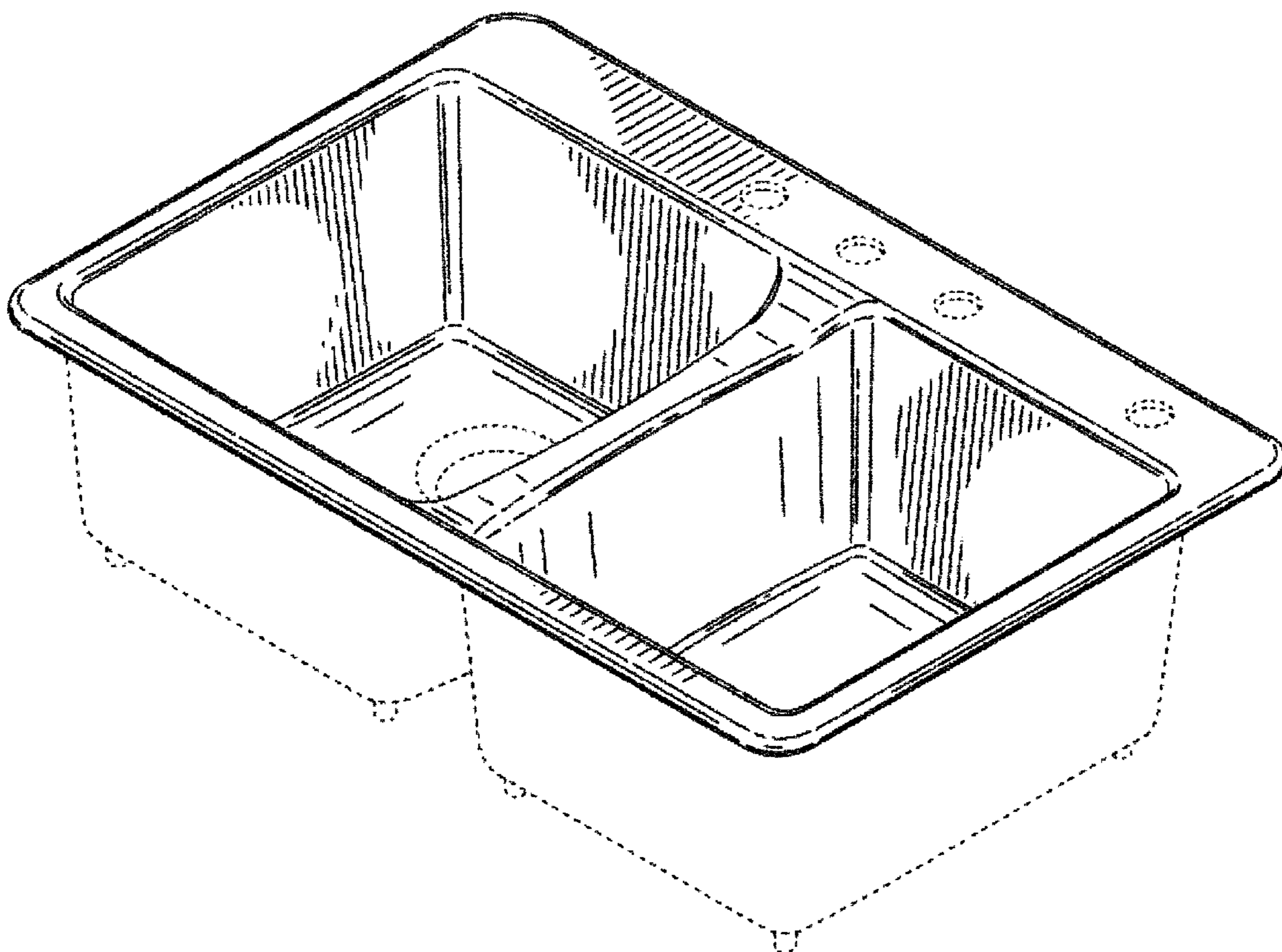
FIG. 6 is a rear elevation view of the claimed design of FIG. 1; and,

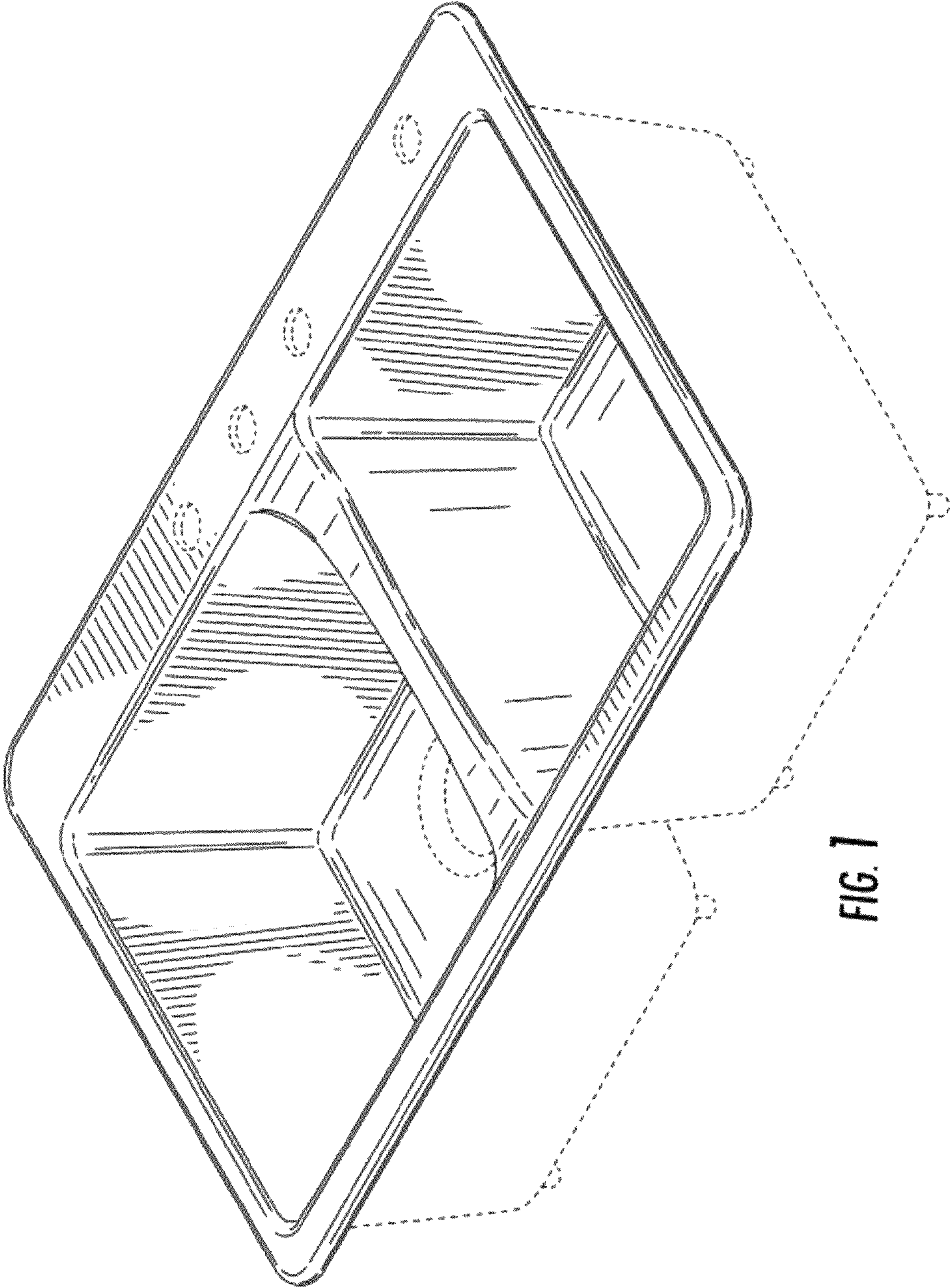
* cited by examiner

FIG. 7 is a bottom plan view of the claimed design of FIG. 1. The ornamental design which is claimed is shown in solid lines in the drawings: The broken lines in the drawings are for illustrative purposes only and form no part of the claimed design.

Primary Examiner — Robert Delehanty

1 Claim, 6 Drawing Sheets





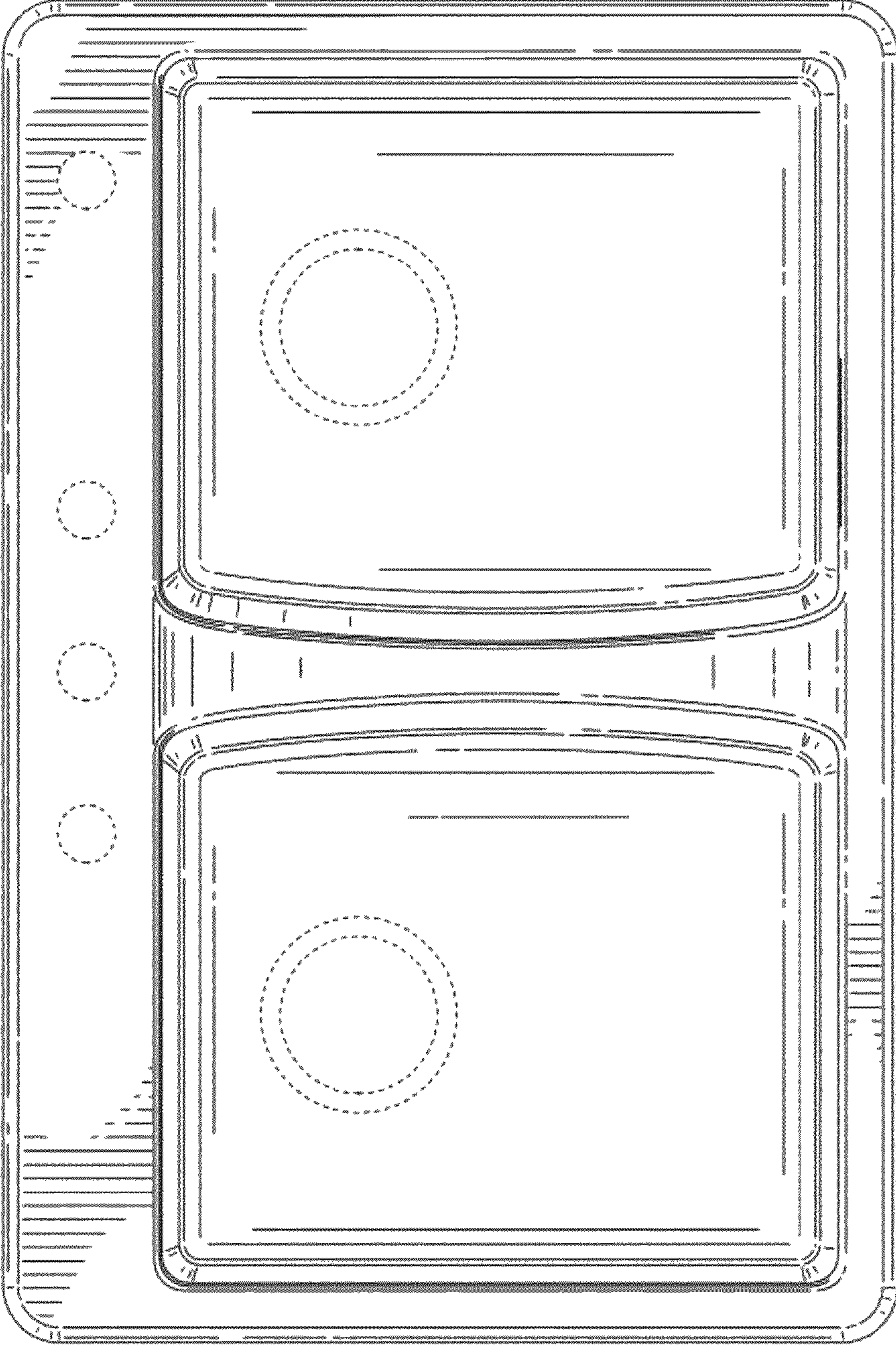


FIG. 2

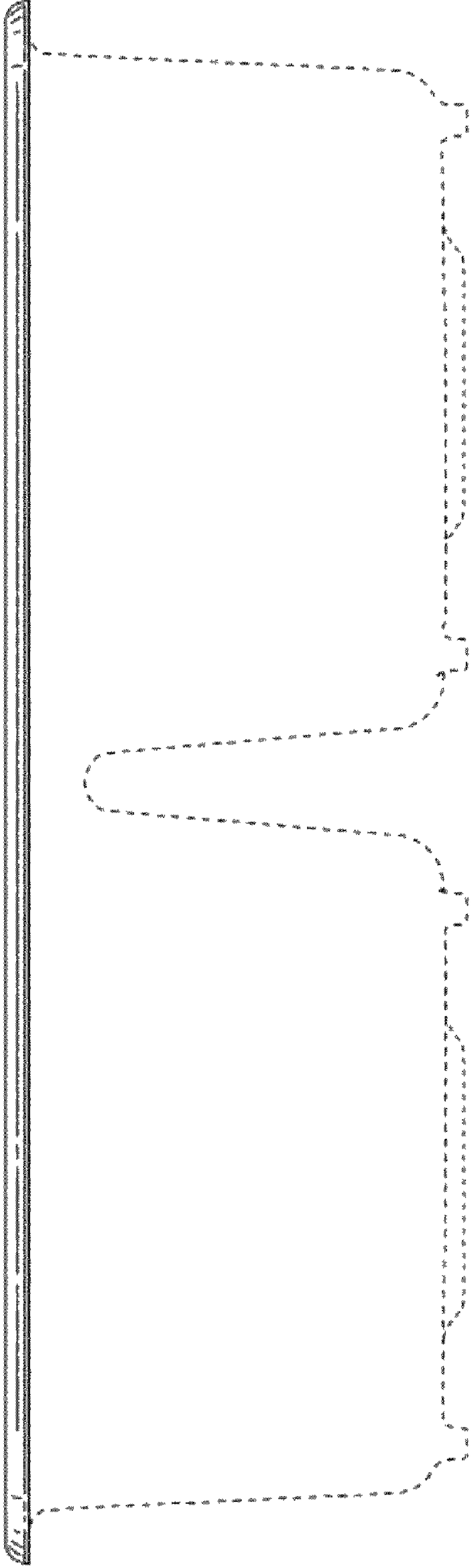


FIG. 3

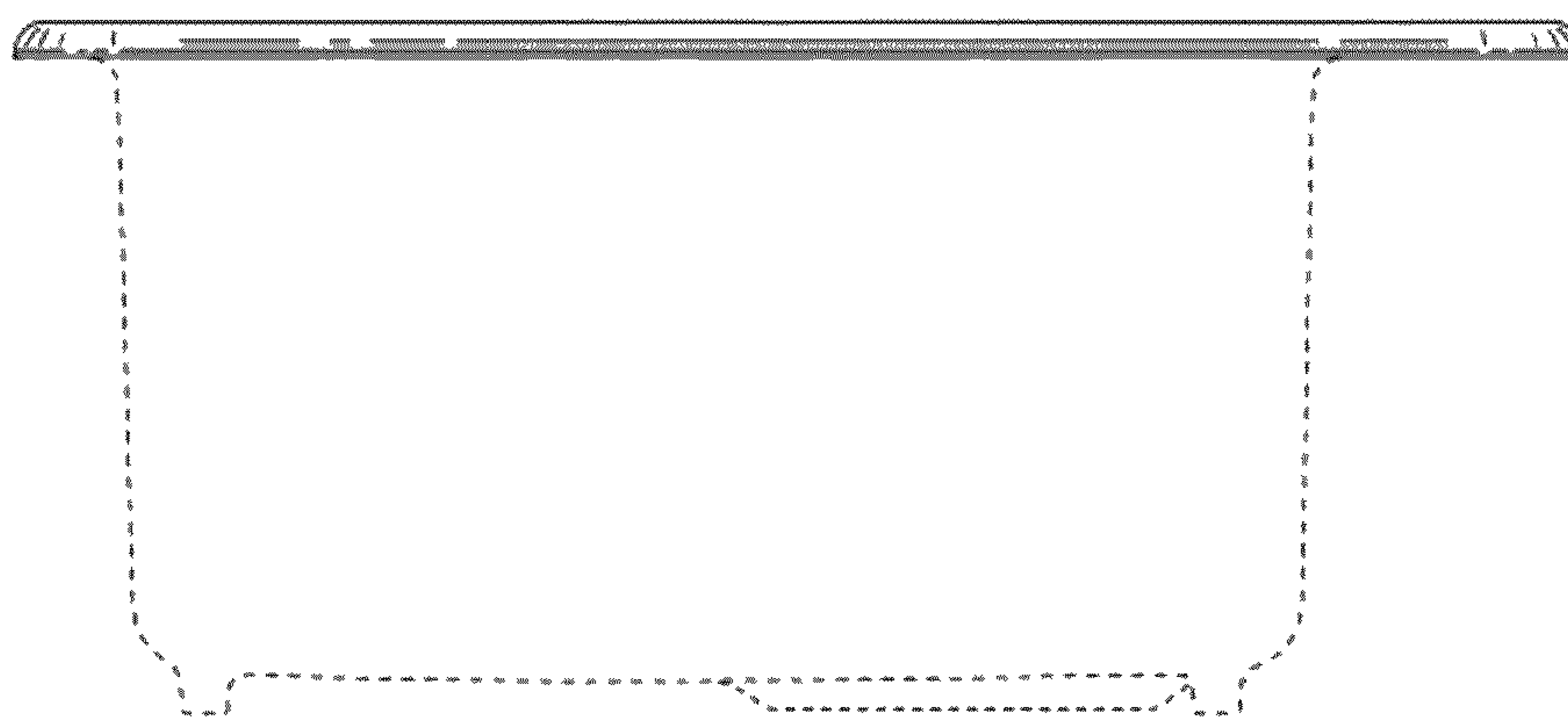


FIG. 4

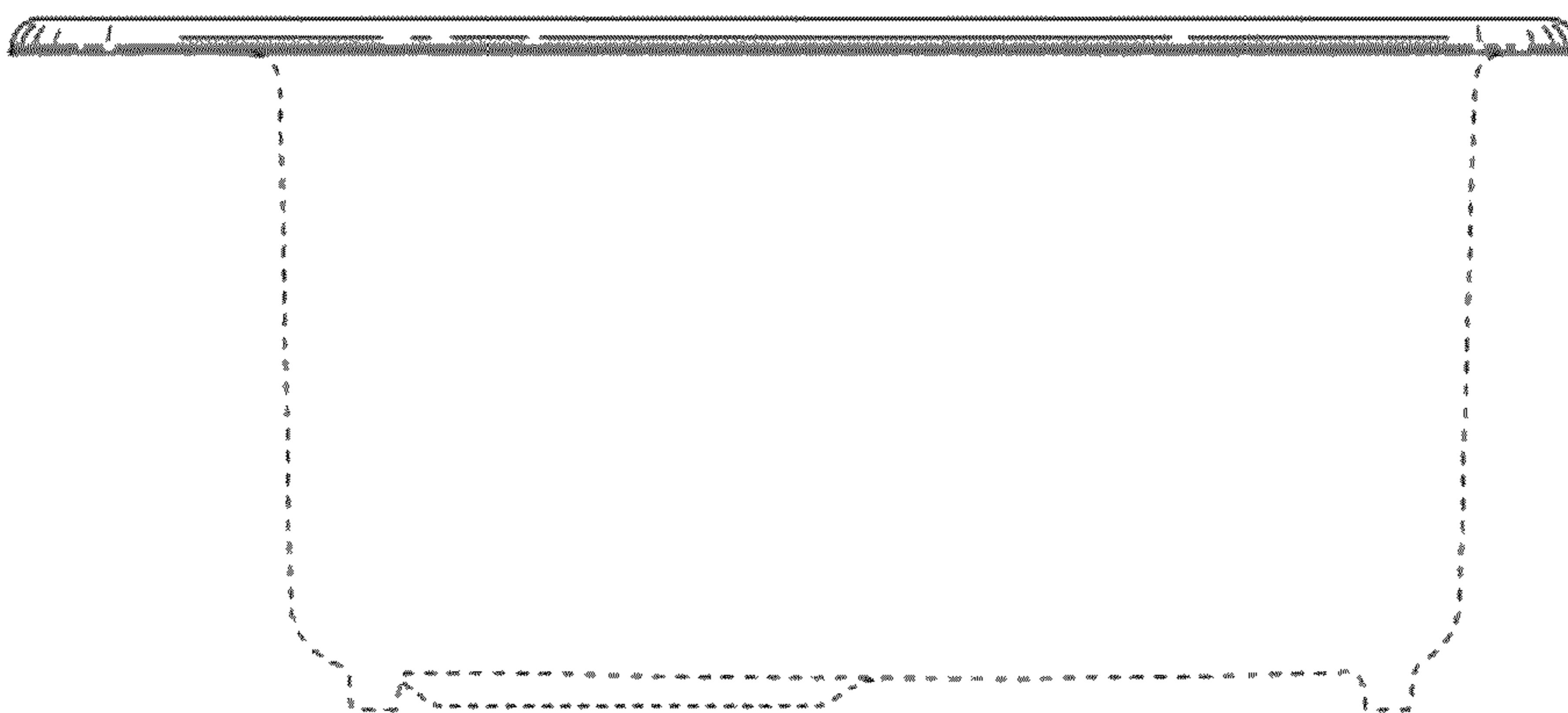


FIG. 5

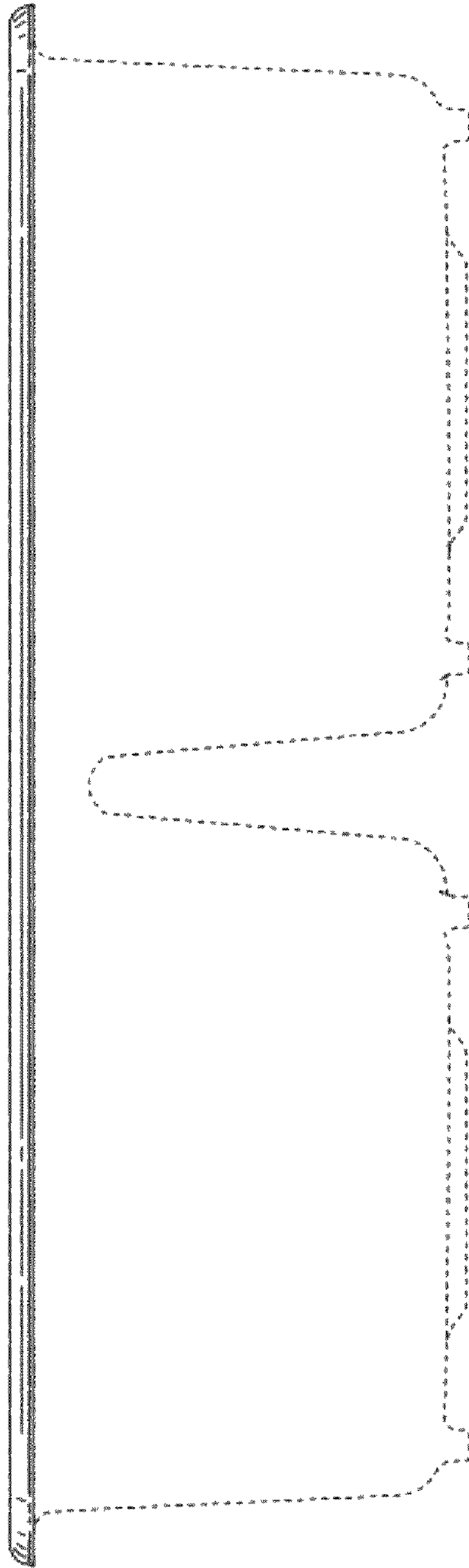


FIG. 6

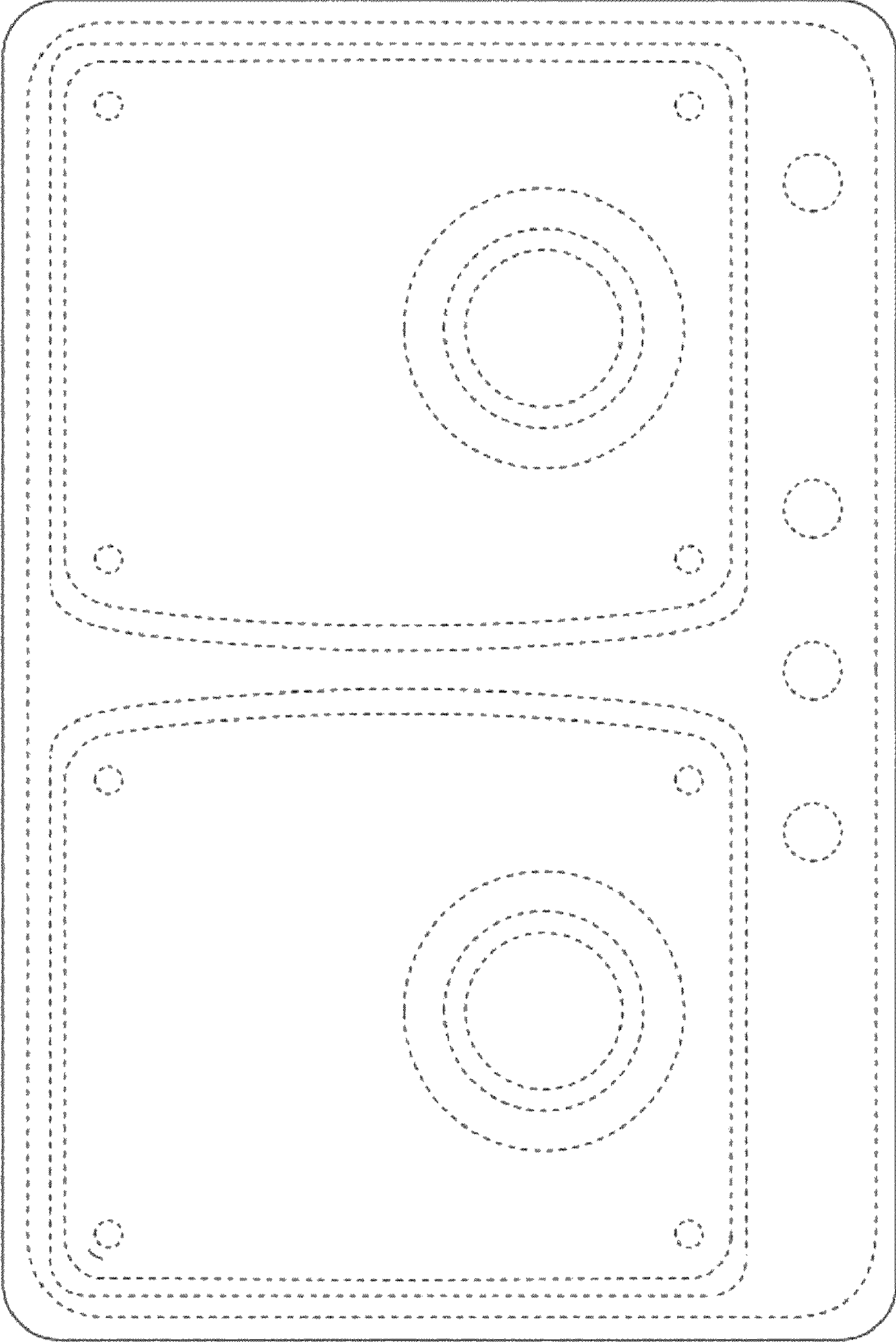


FIG. 7