

US00D657848S

(12) **United States Design Patent**
Howson

(10) **Patent No.:** **US D657,848 S**
(45) **Date of Patent:** **** Apr. 17, 2012**

(54) **WASTE OUTLET**

(75) Inventor: **Leslie Lawrence Howson**, Ashmore
(AU)

(73) Assignee: **Elfblend Pty Ltd** (AU)

(**) Term: **14 Years**

(21) Appl. No.: **29/363,890**

(22) Filed: **Jun. 16, 2010**

(51) **LOC (9) Cl.** **23-01**

(52) **U.S. Cl.** **D23/261**

(58) **Field of Classification Search** D23/259-262;
4/291, 292, 293, 294, 679, 688, 252.6
See application file for complete search history.

(56) **References Cited**

U.S. PATENT DOCUMENTS

2,591,632	A *	4/1952	Stavoe et al.	4/292
D205,276	S *	7/1966	Kort	D23/260
4,457,030	A *	7/1984	Burry	4/688
D402,354	S *	12/1998	Strong et al.	D23/259
D441,848	S *	5/2001	Huang	D23/261
6,799,606	B1	10/2004	Howson	
D613,828	S *	4/2010	Kinchen	D23/260
2004/0128752	A1 *	7/2004	Atkins et al.	4/252.6
2008/0022455	A1 *	1/2008	McAlpine	4/679
2010/0005581	A1 *	1/2010	McAlpine	4/291

2010/0024107 A1* 2/2010 Stimpson 4/293
* cited by examiner

Primary Examiner — T. Chase Nelson

Assistant Examiner — Eric Goodman

(74) *Attorney, Agent, or Firm* — Schmeiser, Olsen & Watts,
LLP

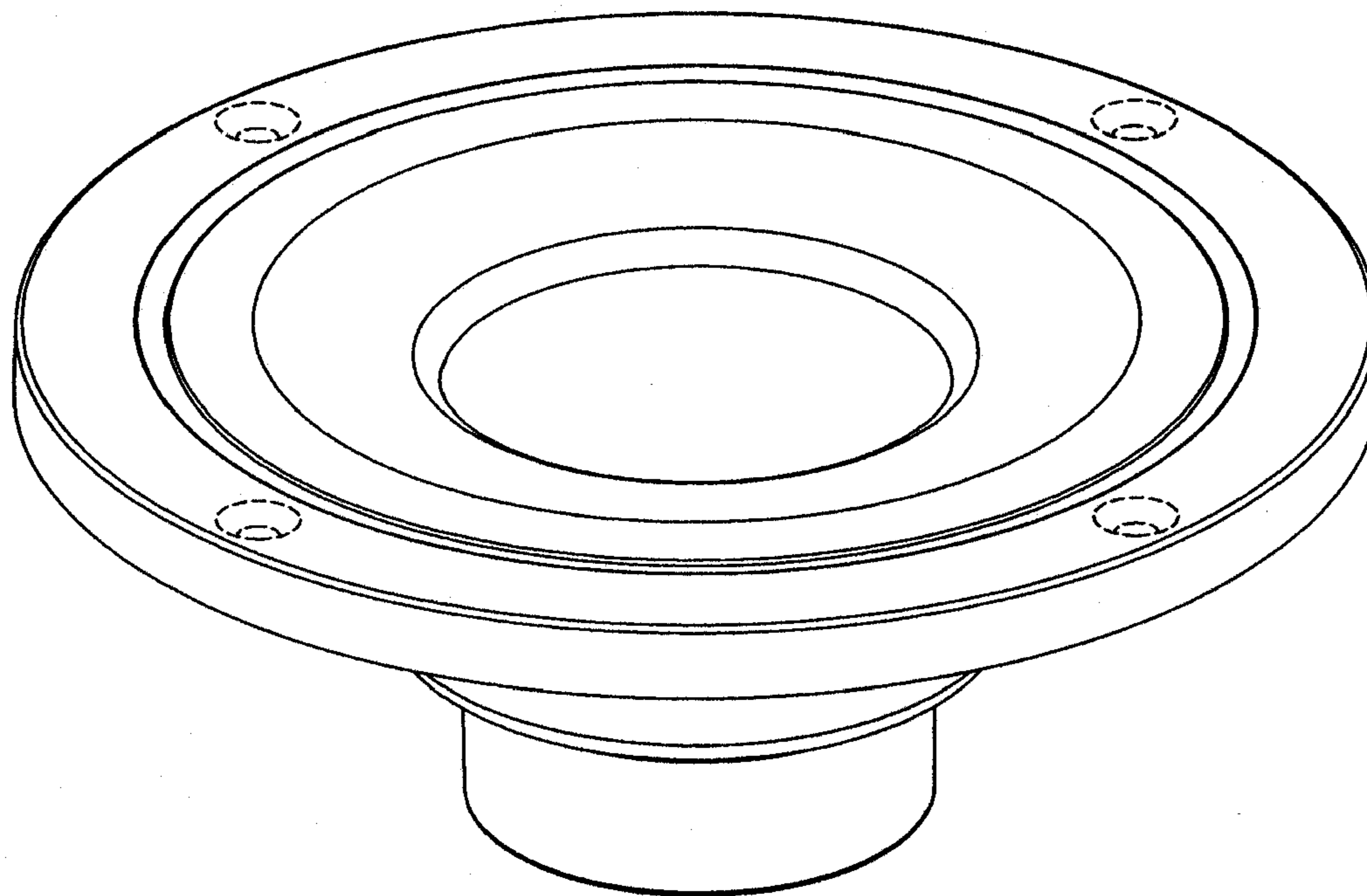
(57) **CLAIM**

I claim the ornamental design for a waste outlet, as shown and described.

DESCRIPTION

FIG. 1 is a perspective view of the present invention;
FIG. 2 is a side view of the present invention;
FIG. 3 is a top plan view of the present invention;
FIG. 4 is a bottom plan view of the present invention;
FIG. 5 is a top perspective view of the present invention;
FIG. 6 is a bottom perspective view of the present invention;
and,
FIG. 7 is an exploded view of the present invention.
The broken line showing is included for the purpose of illustrating portions of the article and forms no part of the claimed design. The alternating long and short dashed line in FIG. 7 shows the order of assembly of the exploded parts and also forms no part of the claimed design.

1 Claim, 7 Drawing Sheets



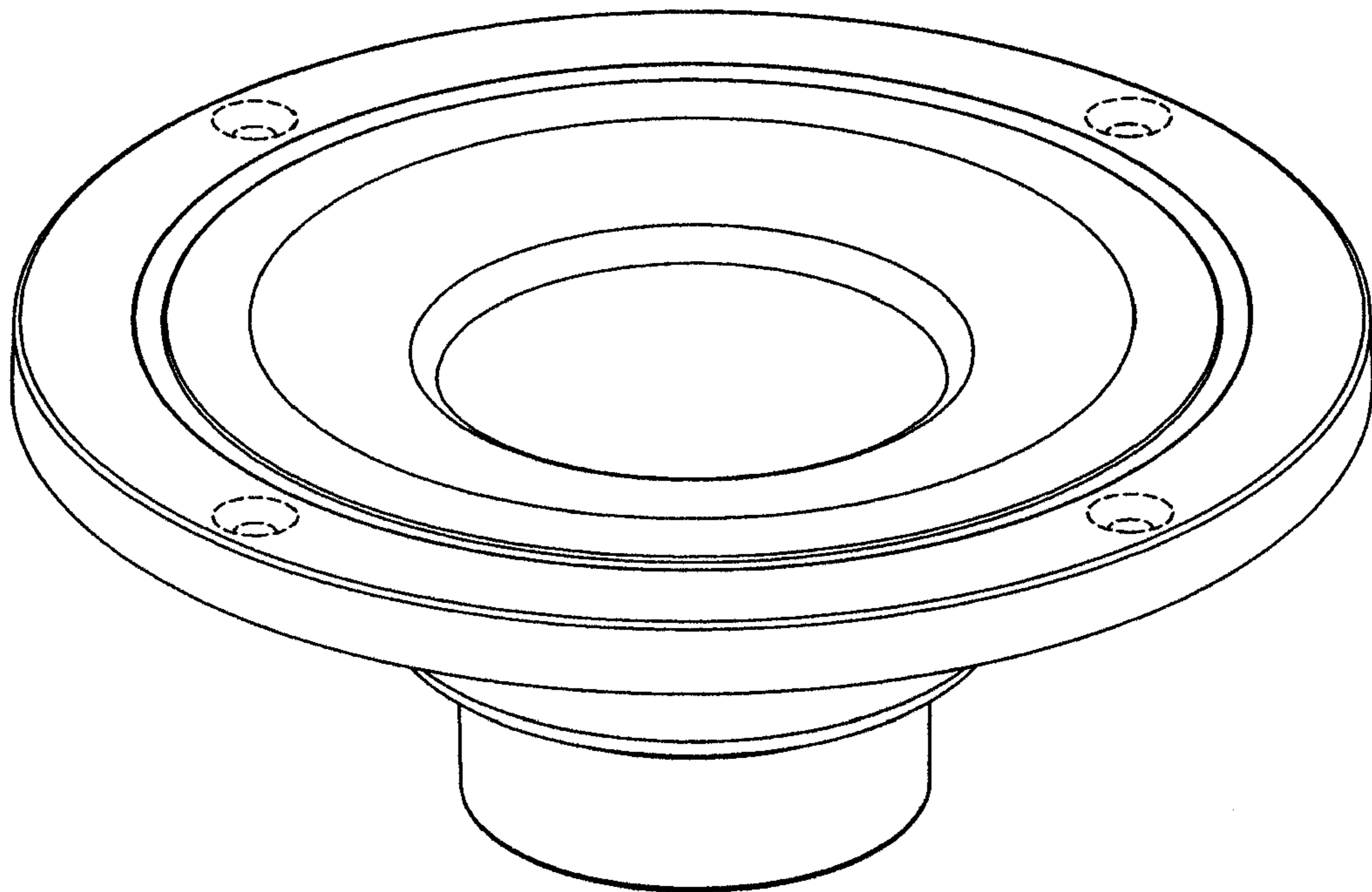


Figure 1

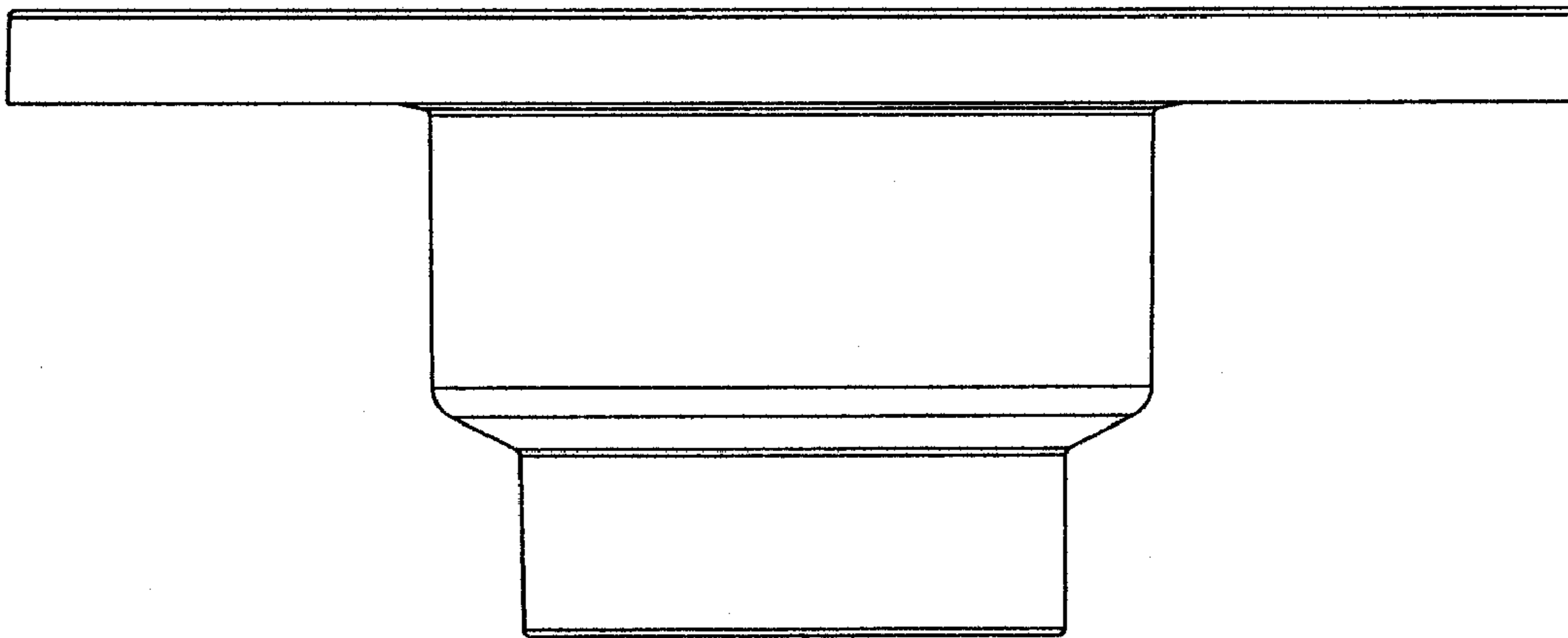


Figure 2

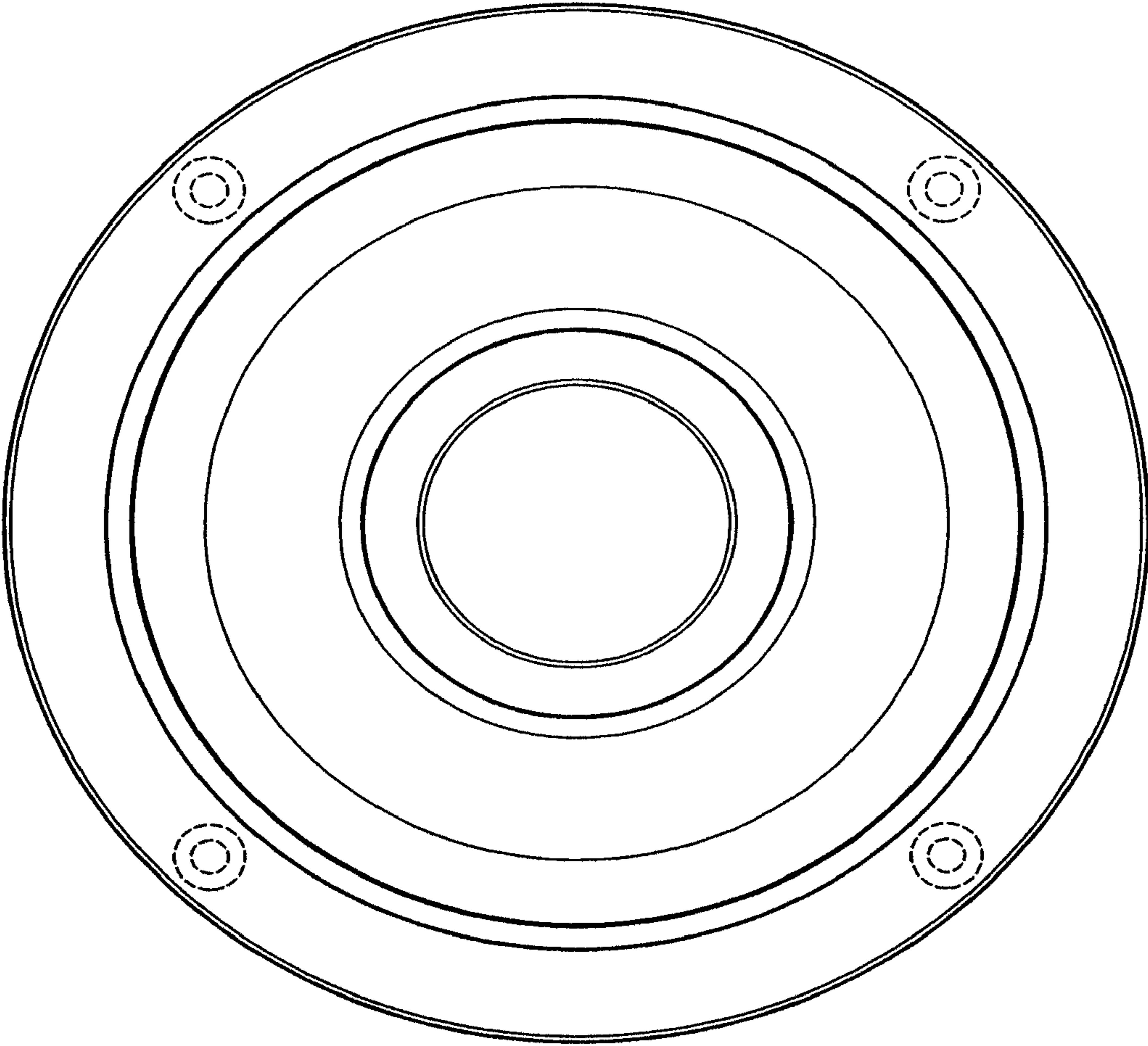


Figure 3

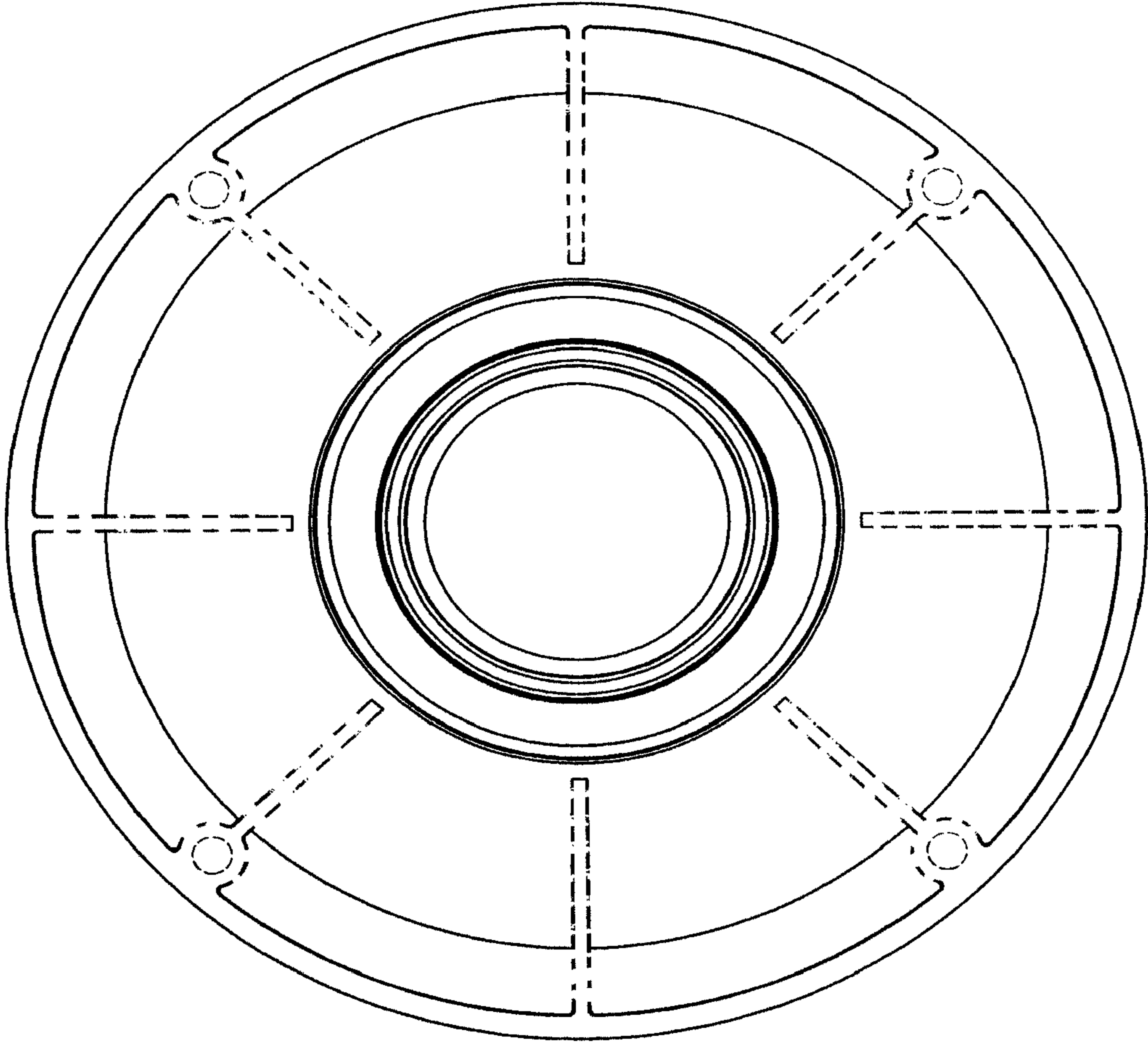


Figure 4

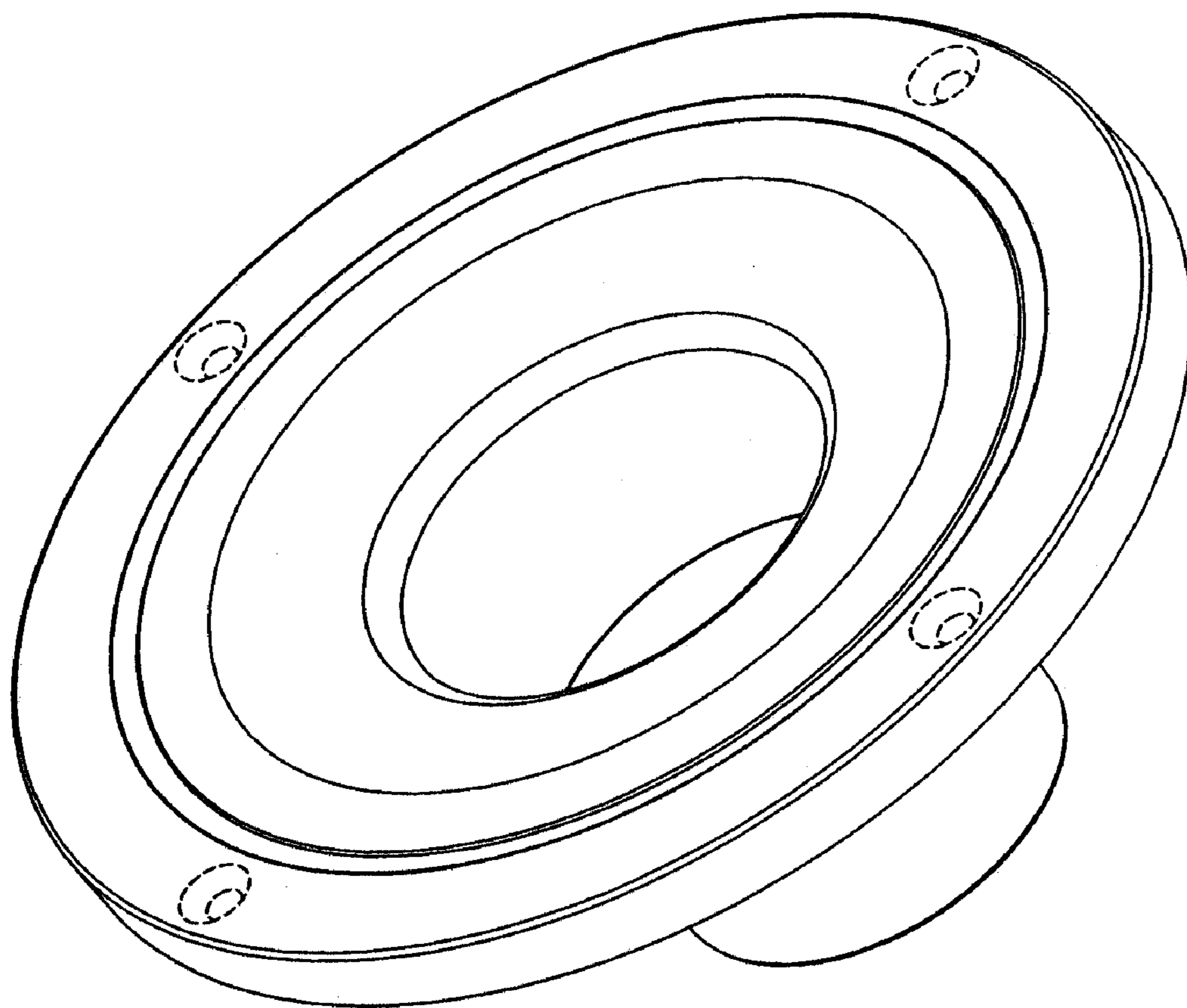


Figure 5

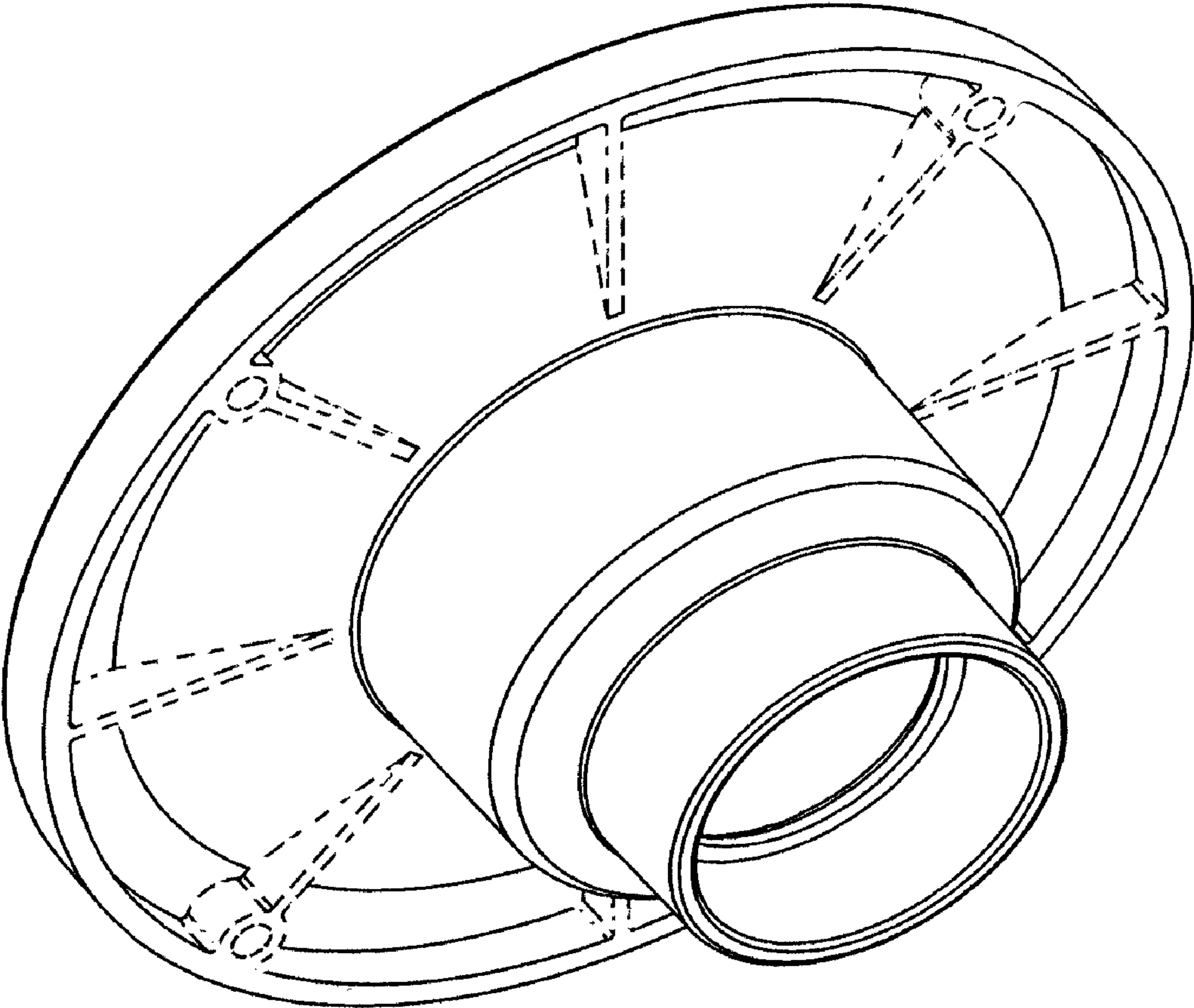


Figure 6

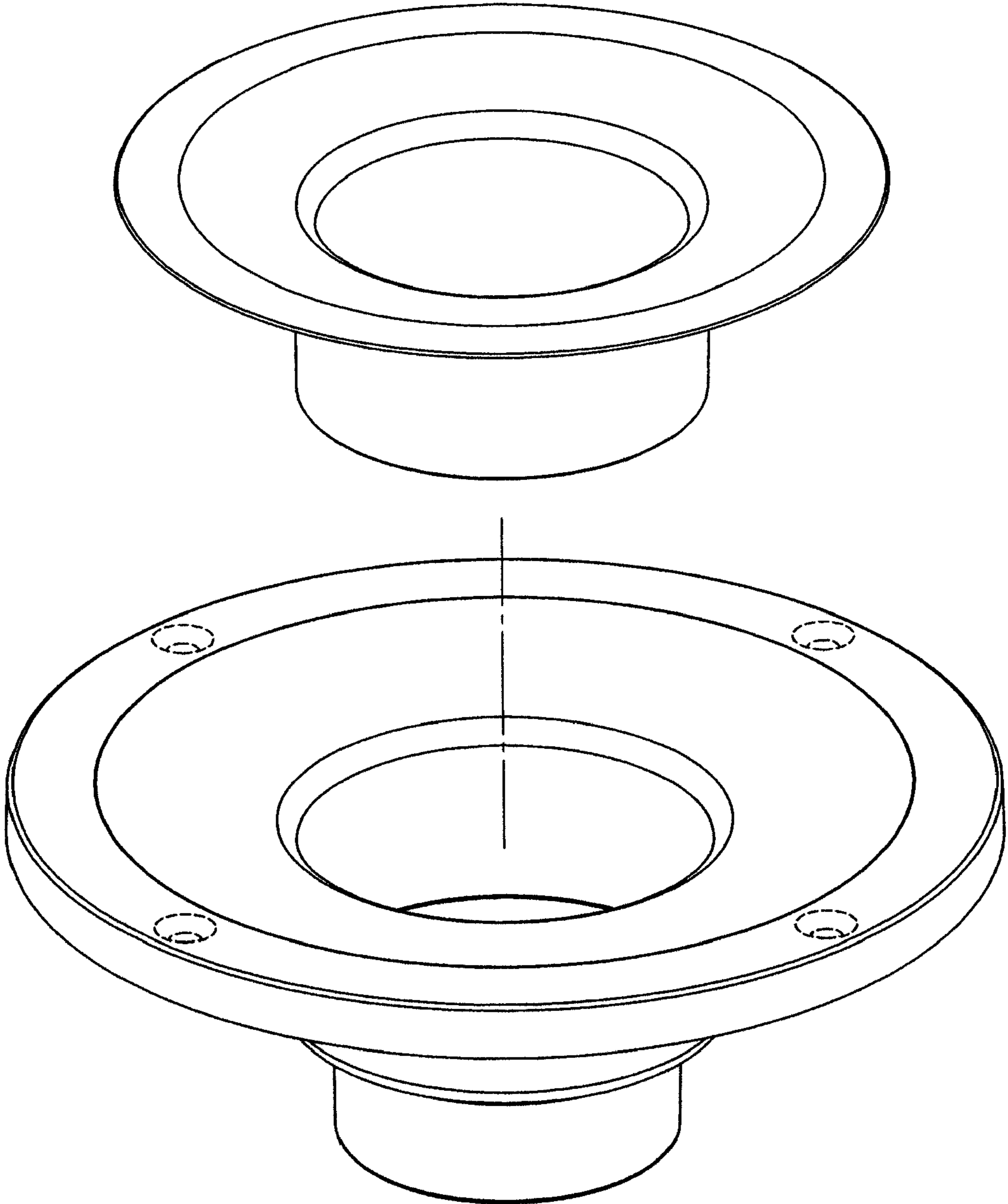


Figure 7