



US00D657846S

(12) **United States Design Patent**
Crawley

(10) **Patent No.:** **US D657,846 S**
(45) **Date of Patent:** **** Apr. 17, 2012**

(54) **PAINT SPRAYER**

(75) Inventor: **Graeme Crawley**, New Castle upon Tyne (GB)

(73) Assignee: **Black & Decker Inc.**, Newark, DE (US)

(**) Term: **14 Years**

(21) Appl. No.: **29/410,682**

(22) Filed: **Jan. 11, 2012**

Related U.S. Application Data

(62) Division of application No. 29/394,170, filed on Jun. 14, 2011.

(51) **LOC (9) Cl.** **23-01**

(52) **U.S. Cl.** **D23/225**

(58) **Field of Classification Search** D23/213,
D23/225; 239/302, 308, 310, 332, 333, 337,
239/373, DIG. 14; 222/383.1

See application file for complete search history.

(56) **References Cited**

U.S. PATENT DOCUMENTS

D567,332 S	4/2008	Nathan et al.
D570,956 S	6/2008	Everett et al.
D571,435 S	6/2008	Nathan et al.
D645,541 S	9/2011	Miller
D645,542 S	9/2011	Miller

Primary Examiner — Robin V Webster

(74) *Attorney, Agent, or Firm* — Stephen R. Valancius

(57) **CLAIM**

The ornamental design for a paint sprayer, as shown and described.

DESCRIPTION

FIG. 1 is a perspective view of a paint sprayer showing my new design;

FIG. 2 is a front view of the paint sprayer of FIG. 1;

FIG. 3 is a back view of the paint sprayer of FIG. 1;

FIG. 4 is a right side view of the paint sprayer of FIG. 1;

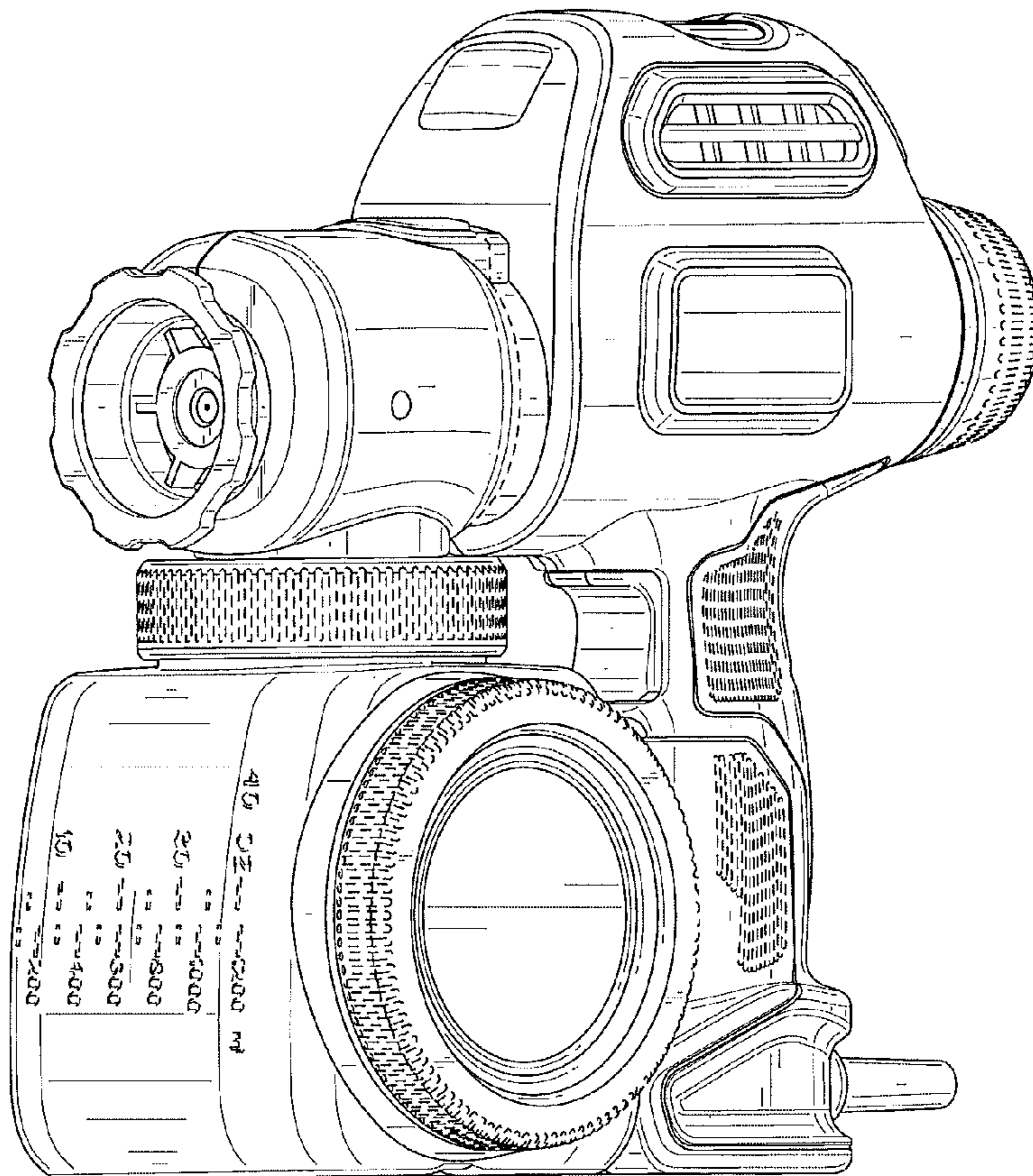
FIG. 5 is a left side view of the paint sprayer of FIG. 1;

FIG. 6 is a top view of the paint sprayer of FIG. 1; and,

FIG. 7 is a bottom view of the paint sprayer of FIG. 1.

The broken lines in the figures illustrate features that form no part of the claimed design.

1 Claim, 7 Drawing Sheets



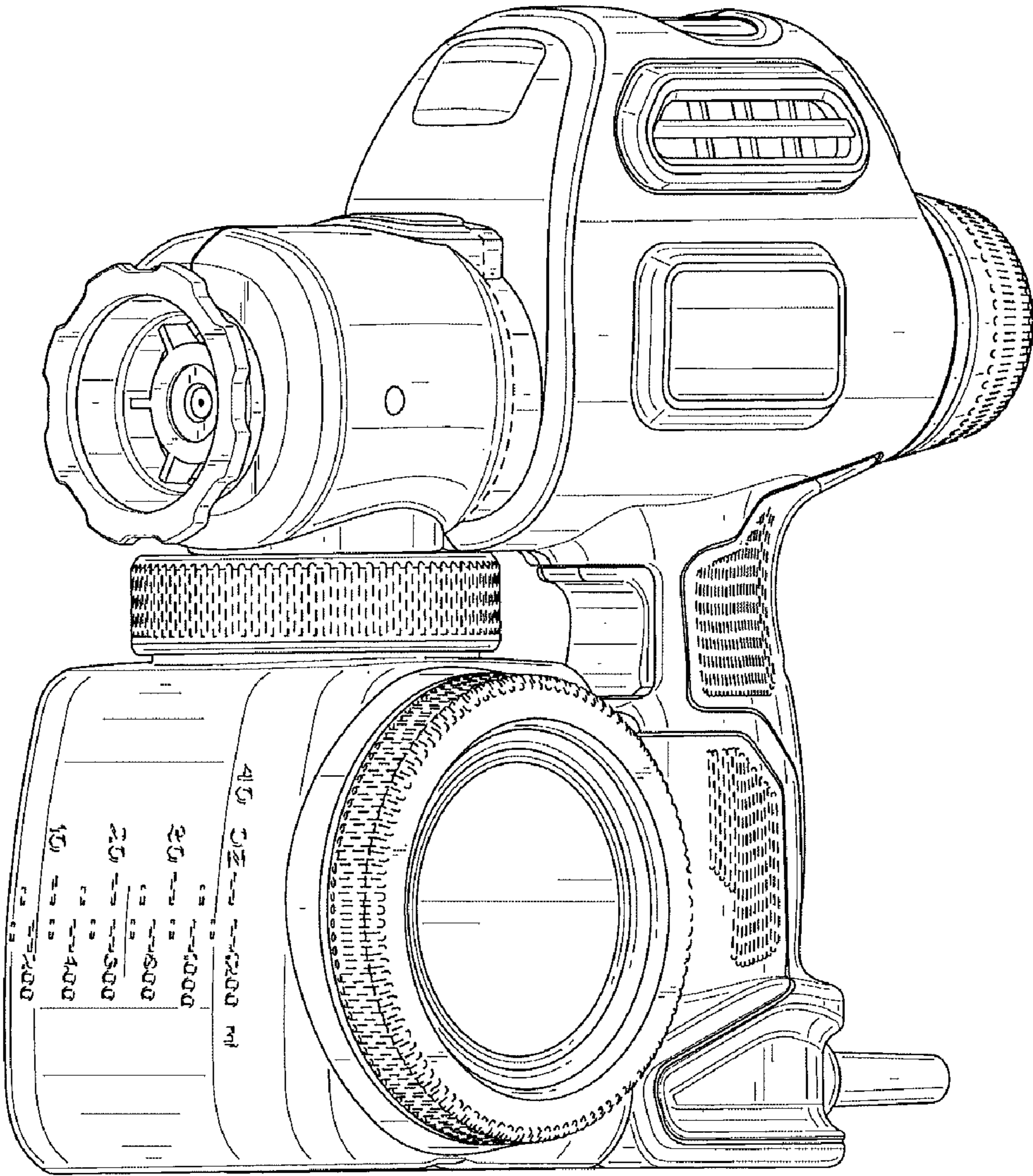


FIG. 1

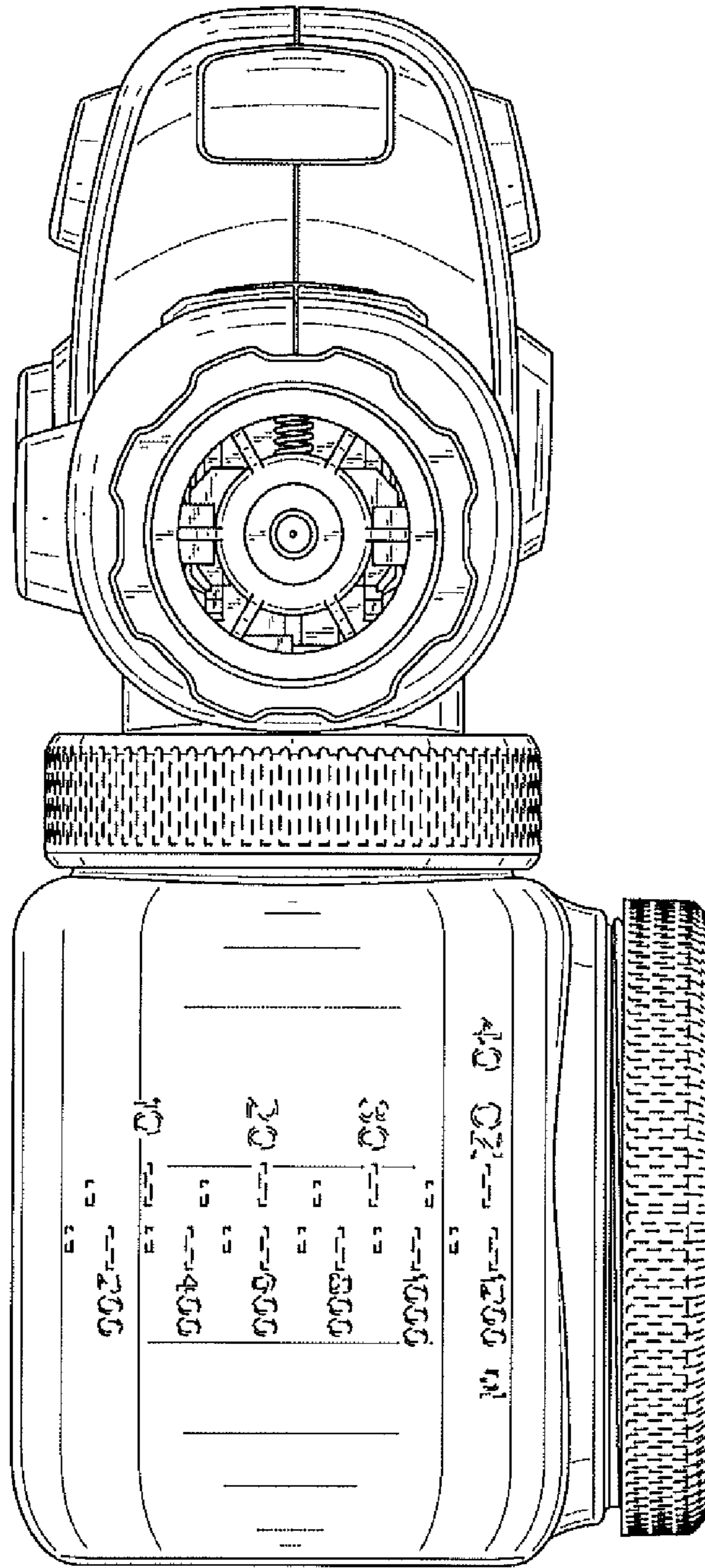


FIG. 2

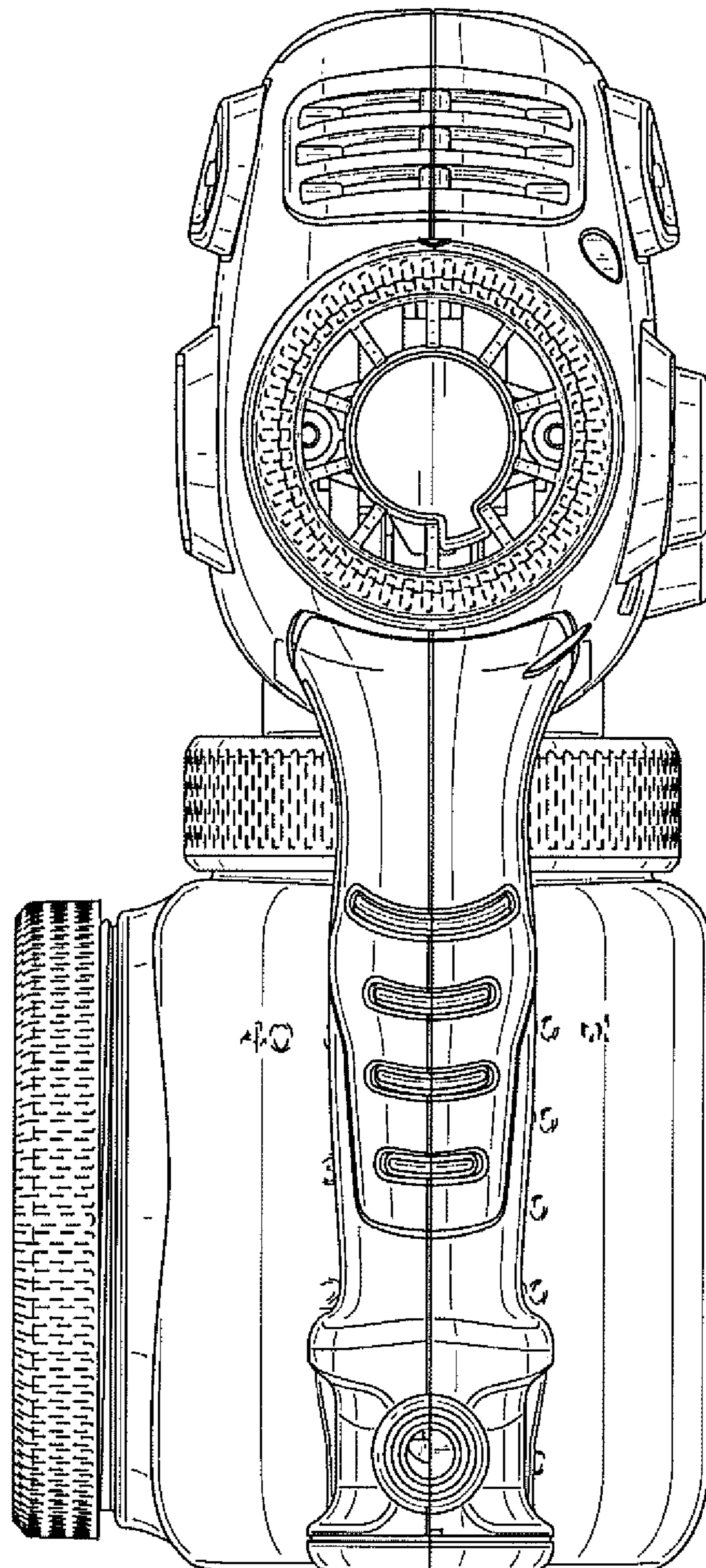


FIG. 3

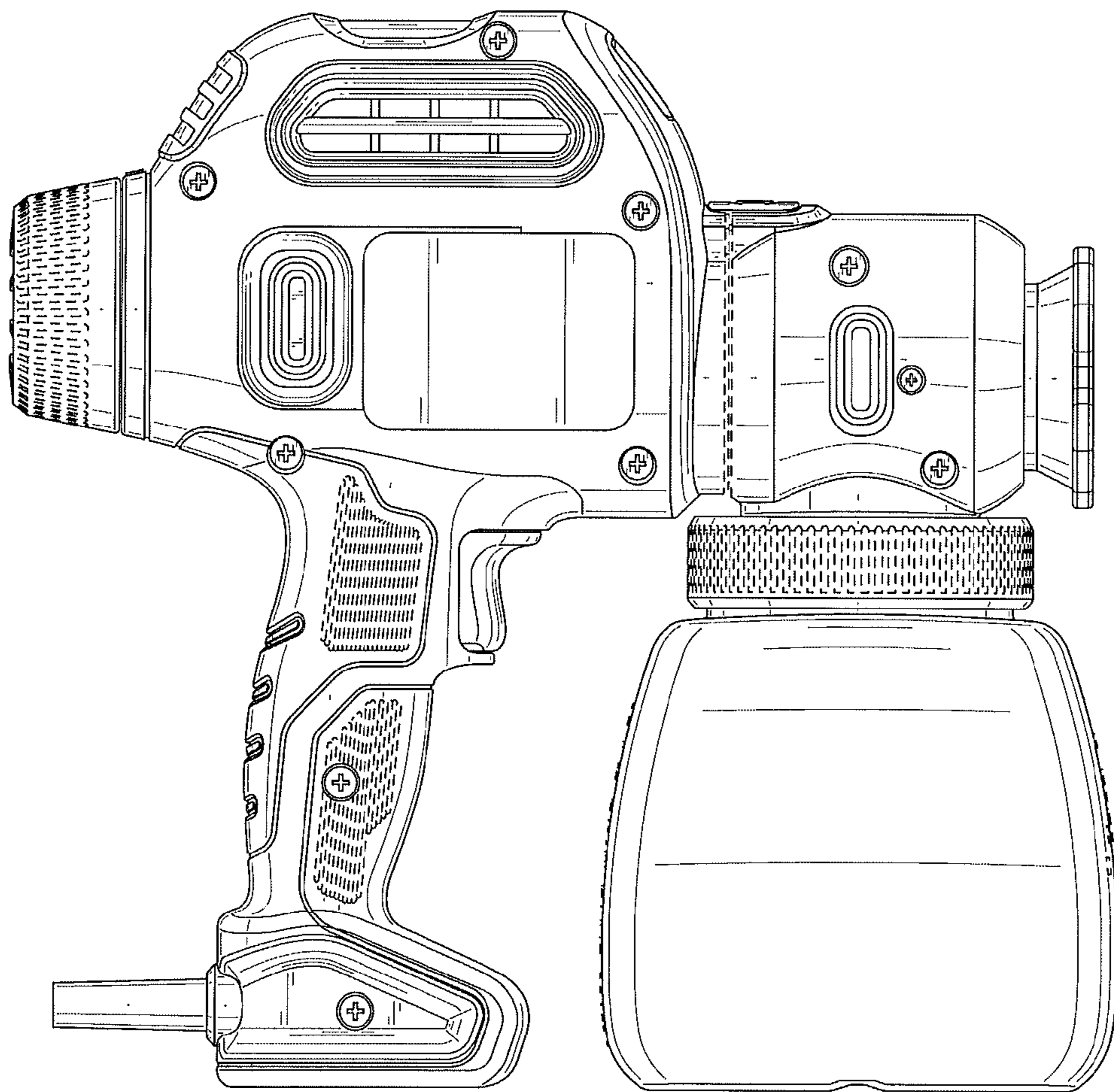


FIG. 4

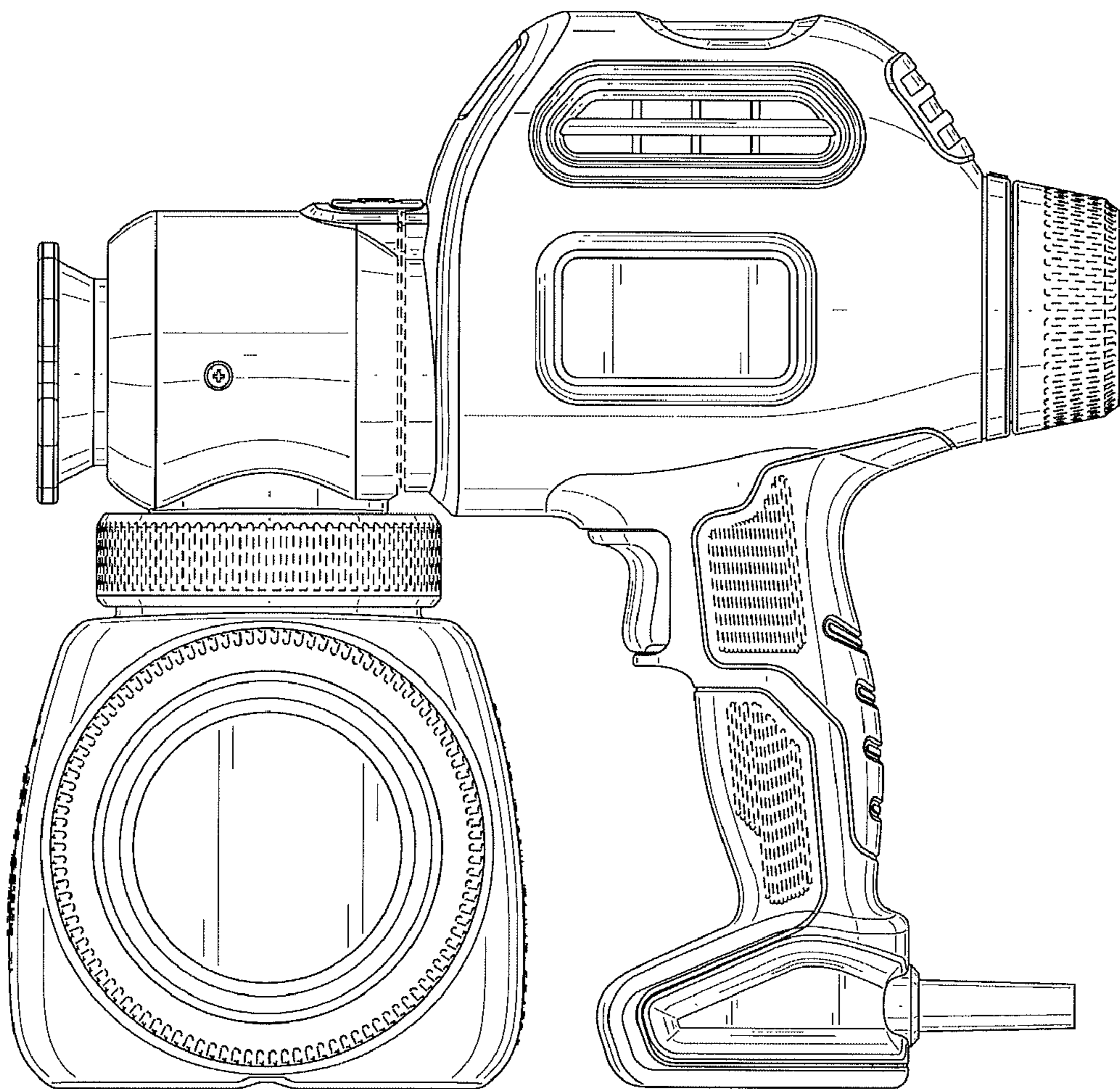


FIG. 5

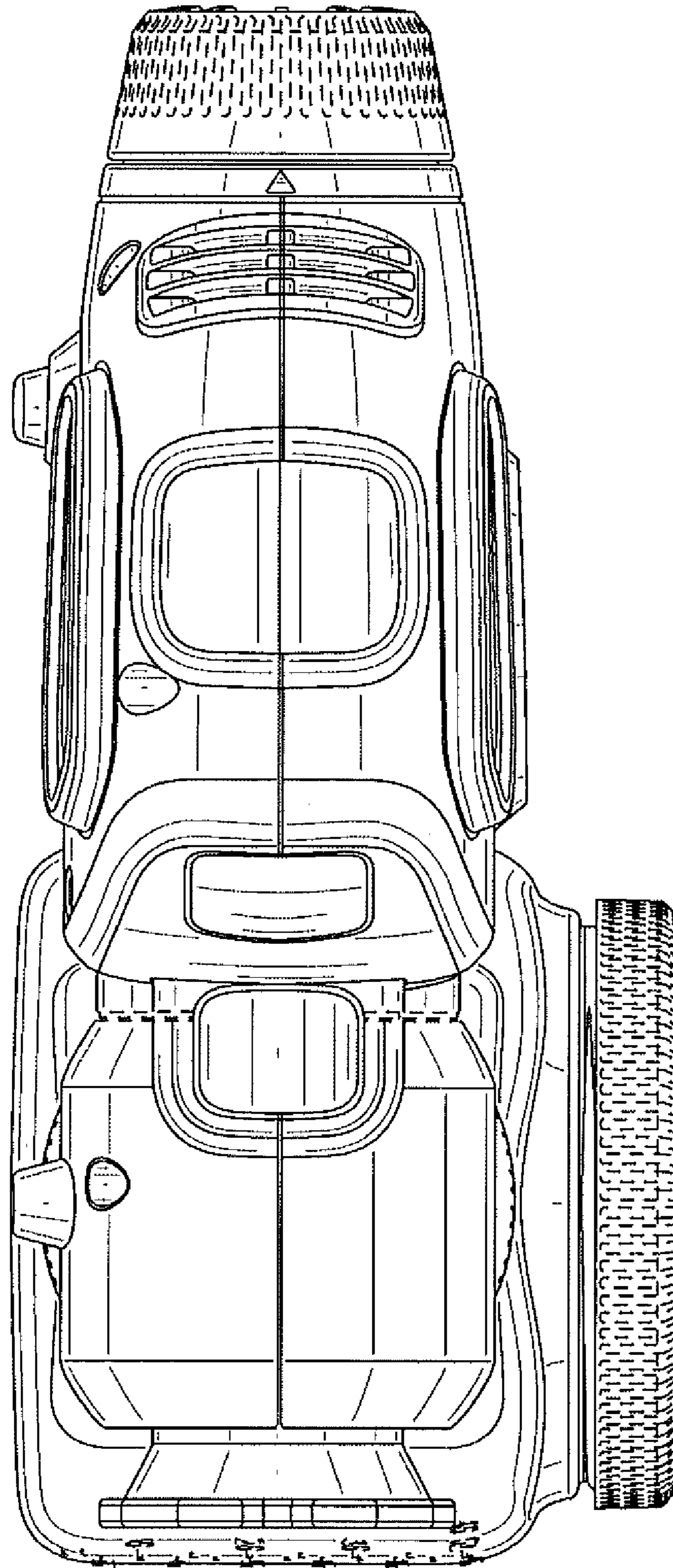


FIG. 6

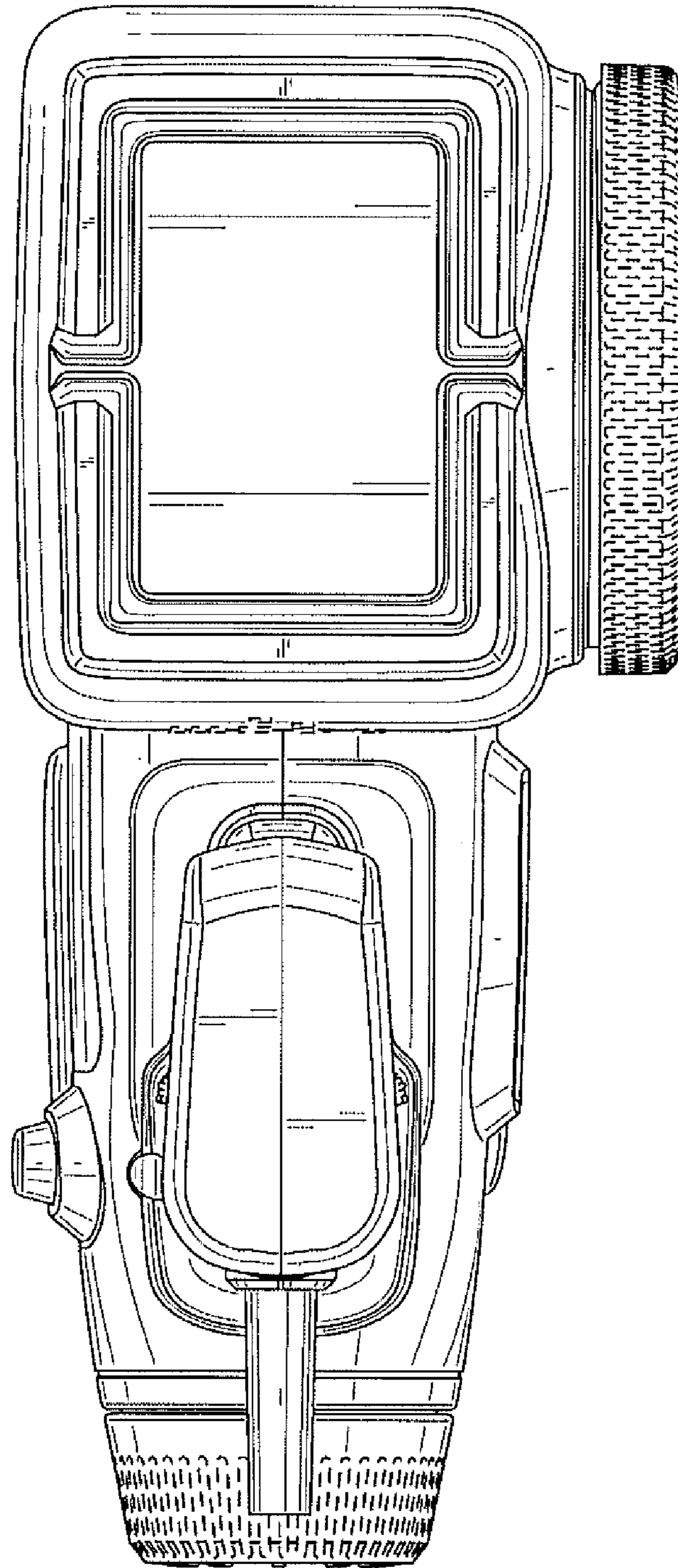


FIG. 7