



US00D657845S

(12) **United States Design Patent**  
**Shafer**

(10) **Patent No.:** **US D657,845 S**

(45) **Date of Patent:** **\*\* Apr. 17, 2012**

(54) **LAWN MOWER CLEANER**

(76) Inventor: **C. Dean Shafer**, Nampa, ID (US)

(\*\*) Term: **14 Years**

(21) Appl. No.: **29/383,929**

(22) Filed: **Jan. 24, 2011**

5,368,229	A	11/1994	Hayes et al.	
5,499,492	A	3/1996	Jameson	
D374,914	S *	10/1996	Wang .....	D23/214
5,651,242	A	7/1997	Kittridge	
D383,830	S	9/1997	Guo	
D383,883	S	9/1997	Langley	
5,673,856	A	10/1997	Krohn	
6,364,960	B1	4/2002	Bayley	
D631,941	S *	2/2011	Shafer .....	D23/214
2003/0159722	A1	8/2003	Burkett	

**Related U.S. Application Data**

(63) Continuation-in-part of application No. 29/351,435, filed on Dec. 5, 2009, now Pat. No. Des. 631,941.

(51) **LOC (9) Cl.** ..... **23-01**

(52) **U.S. Cl.** ..... **D23/214; D8/14**

(58) **Field of Classification Search** ..... D23/213, D23/214, 215, 217, 221, 222, 229, 249; D8/14; 239/225.1, 230-235, 302, 304, 308, 371, 239/273, 276, 279, 559, 562, 567, DIG. 6; 134/167, 198

See application file for complete search history.

(56) **References Cited**

**U.S. PATENT DOCUMENTS**

D35,074	S	9/1901	Hull	
3,028,988	A	4/1962	Owens	
3,108,608	A *	10/1963	Mahowald .....	134/198
3,322,347	A	5/1967	Pierce	
3,856,028	A *	12/1974	Kehler .....	134/198
D241,542	S *	9/1976	Thurston .....	D23/214
D280,144	S	8/1985	Cooney	
4,762,278	A	8/1988	Taylor	
D302,458	S *	7/1989	Locklair, Jr. ....	D23/221
5,152,459	A *	10/1992	Boeh .....	239/273
5,312,047	A *	5/1994	Akers .....	239/276

**FOREIGN PATENT DOCUMENTS**

CH	675218	A5	9/1990
DE	19925 605	A1	12/2000
FR	2641208		6/1990
FR	2677903		12/1992
FR	2790909		9/2000

\* cited by examiner

*Primary Examiner* — Prabhakar Deshmukh  
(74) *Attorney, Agent, or Firm* — Pedersen and Company, PLLC; Ken J. Pedersen; Barbara S. Pedersen

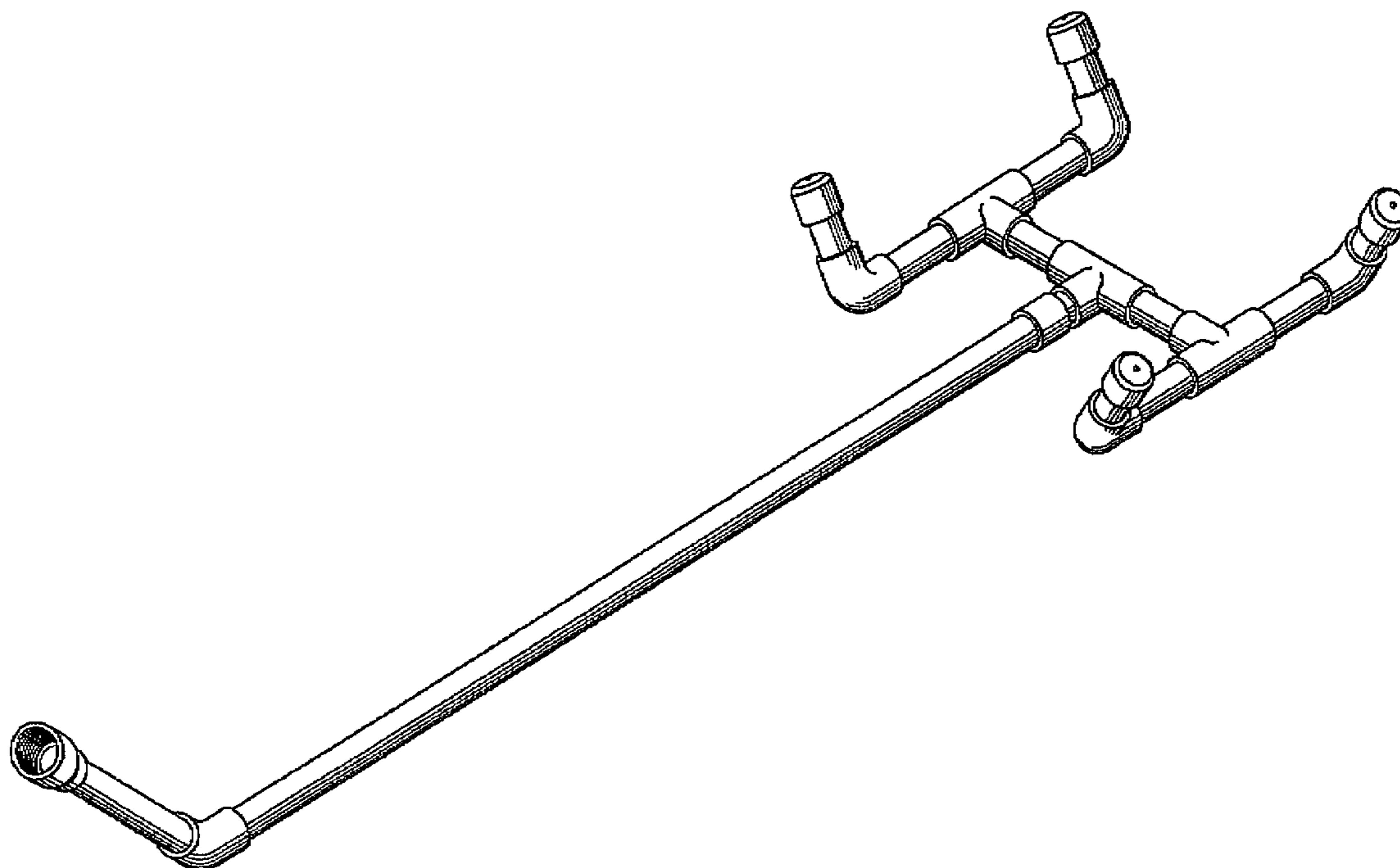
(57) **CLAIM**

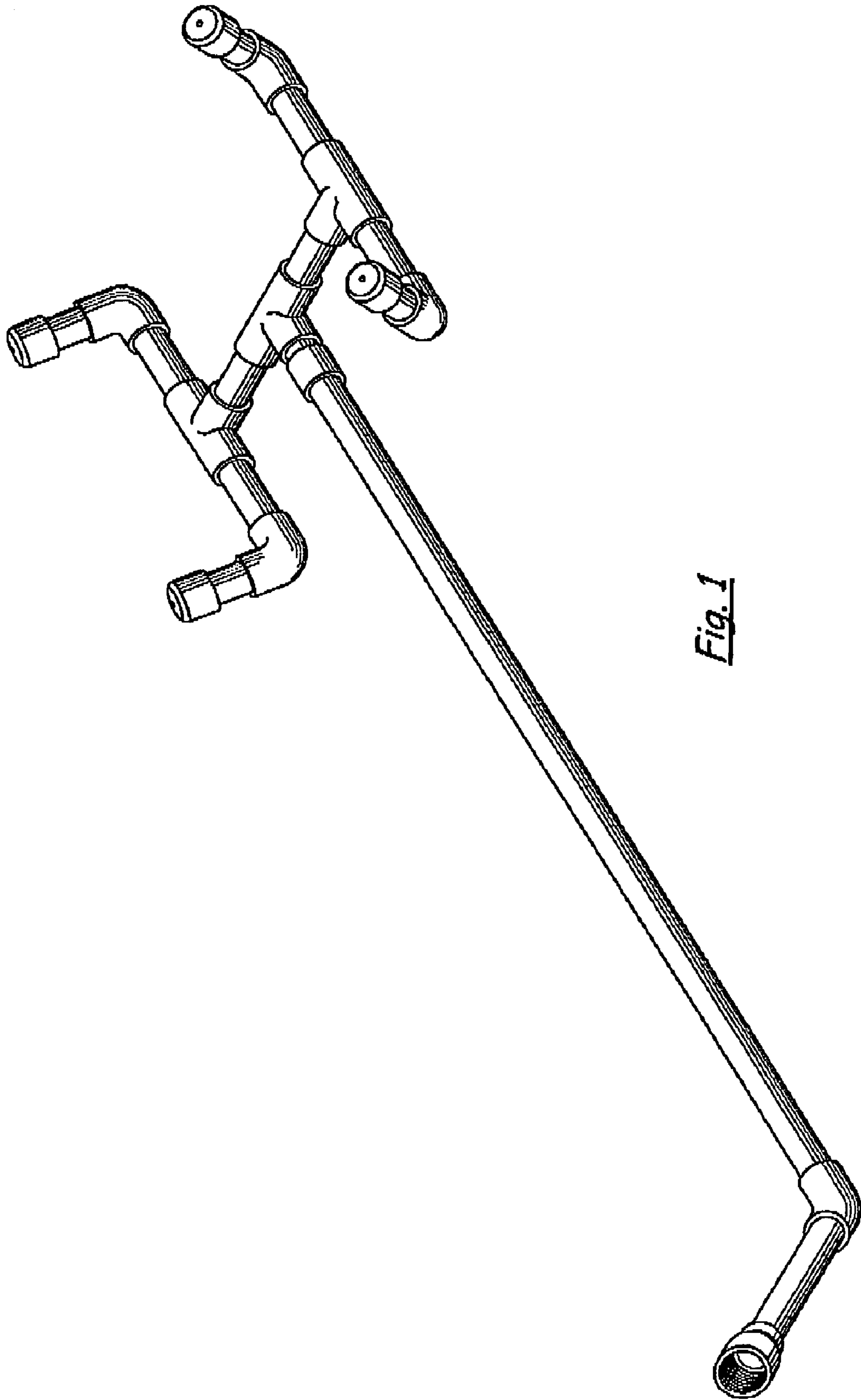
The ornamental design for a lawn mower cleaner, as shown and described.

**DESCRIPTION**

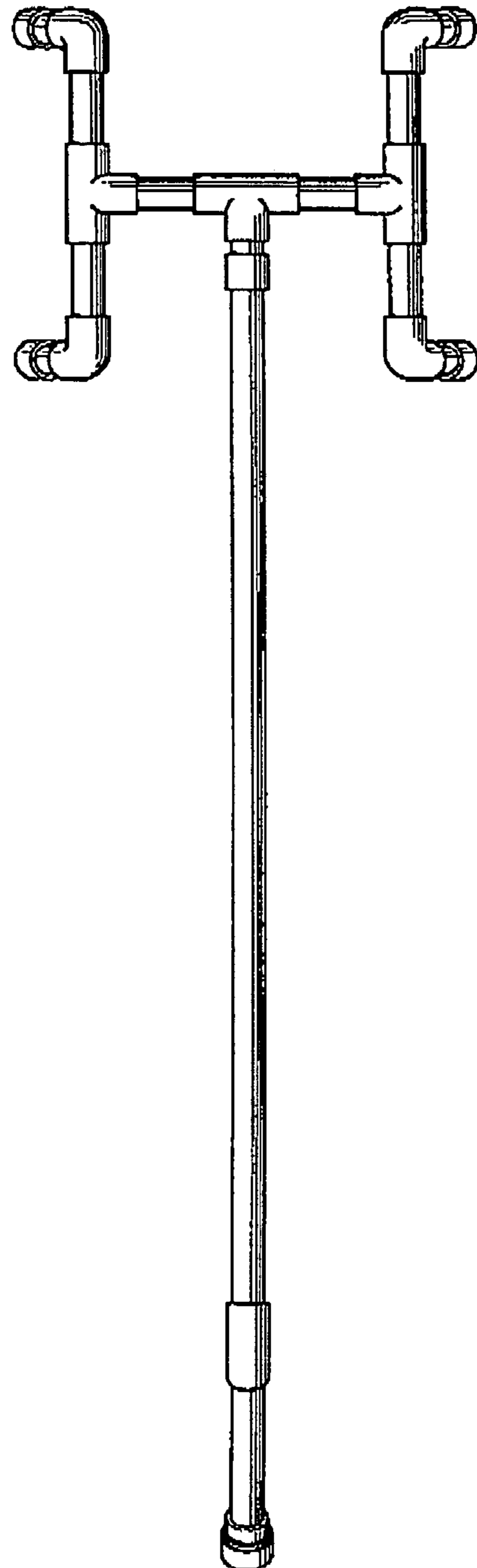
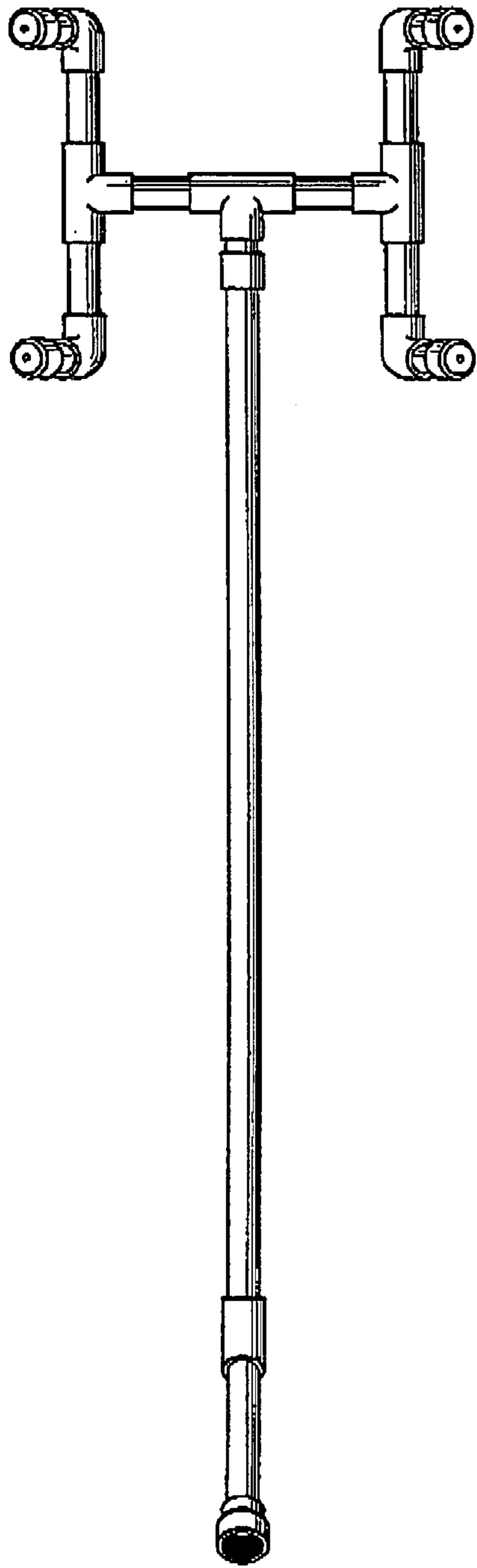
FIG. 1 is a top rear perspective view of a lawn mower cleaner showing my new design;  
FIG. 2 is a top plan view thereof;  
FIG. 3 is a bottom plan view thereof;  
FIG. 4 is a left side elevational view thereof;  
FIG. 5 is a right side elevational view thereof;  
FIG. 6 is a rear elevational view thereof; and,  
FIG. 7 is a front elevational view thereof.

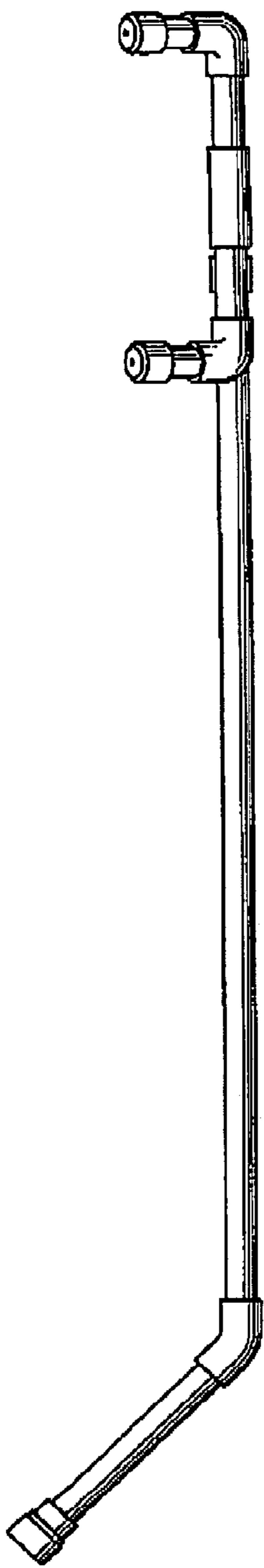
**1 Claim, 3 Drawing Sheets**



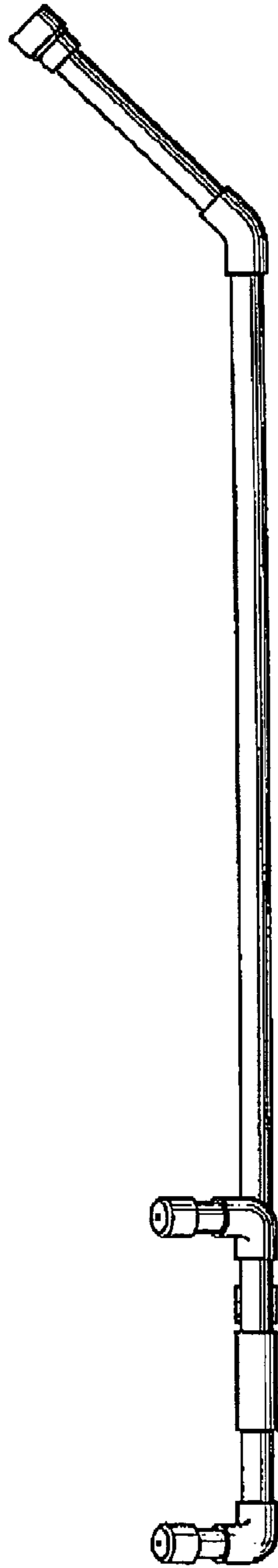


*Fig. 1*

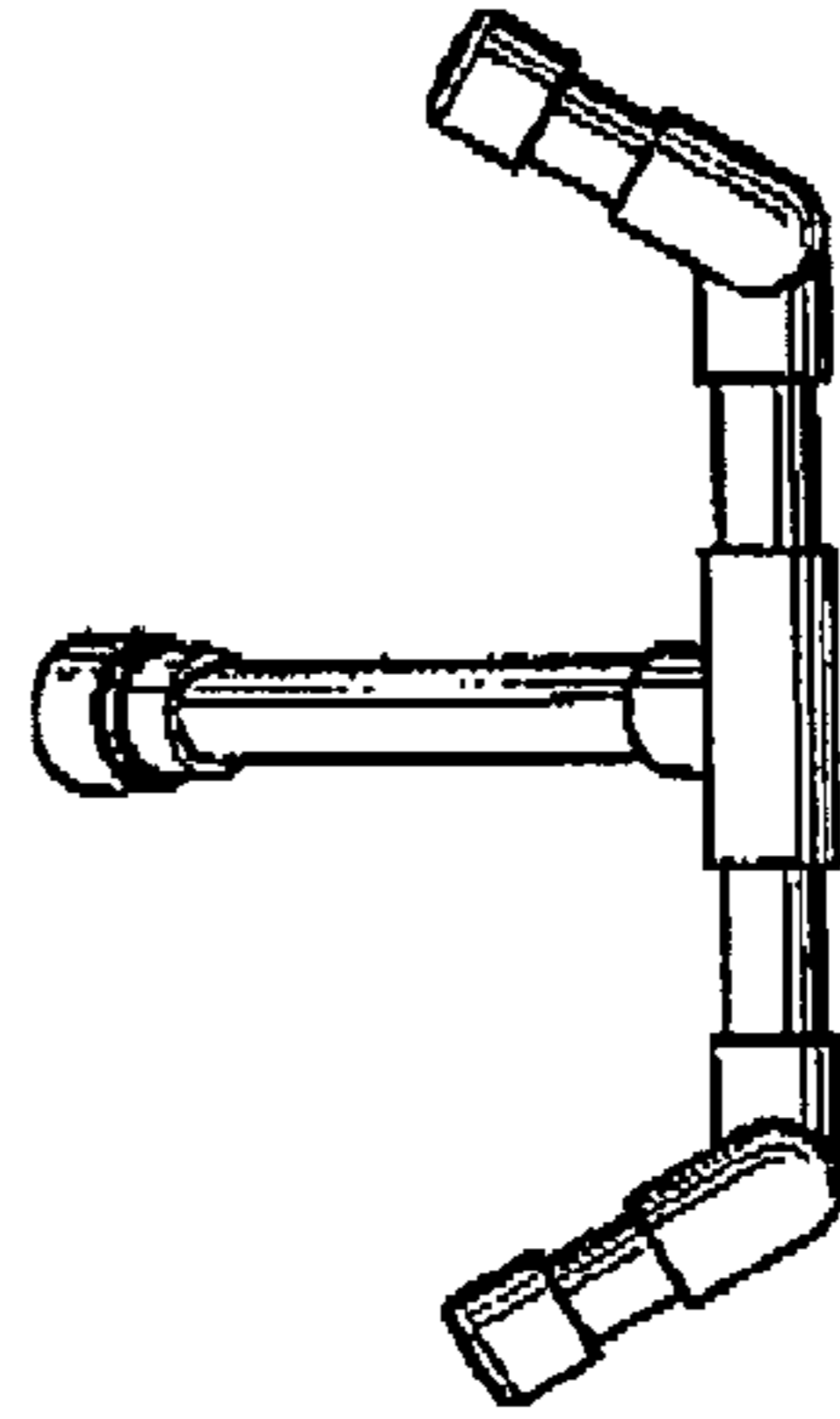




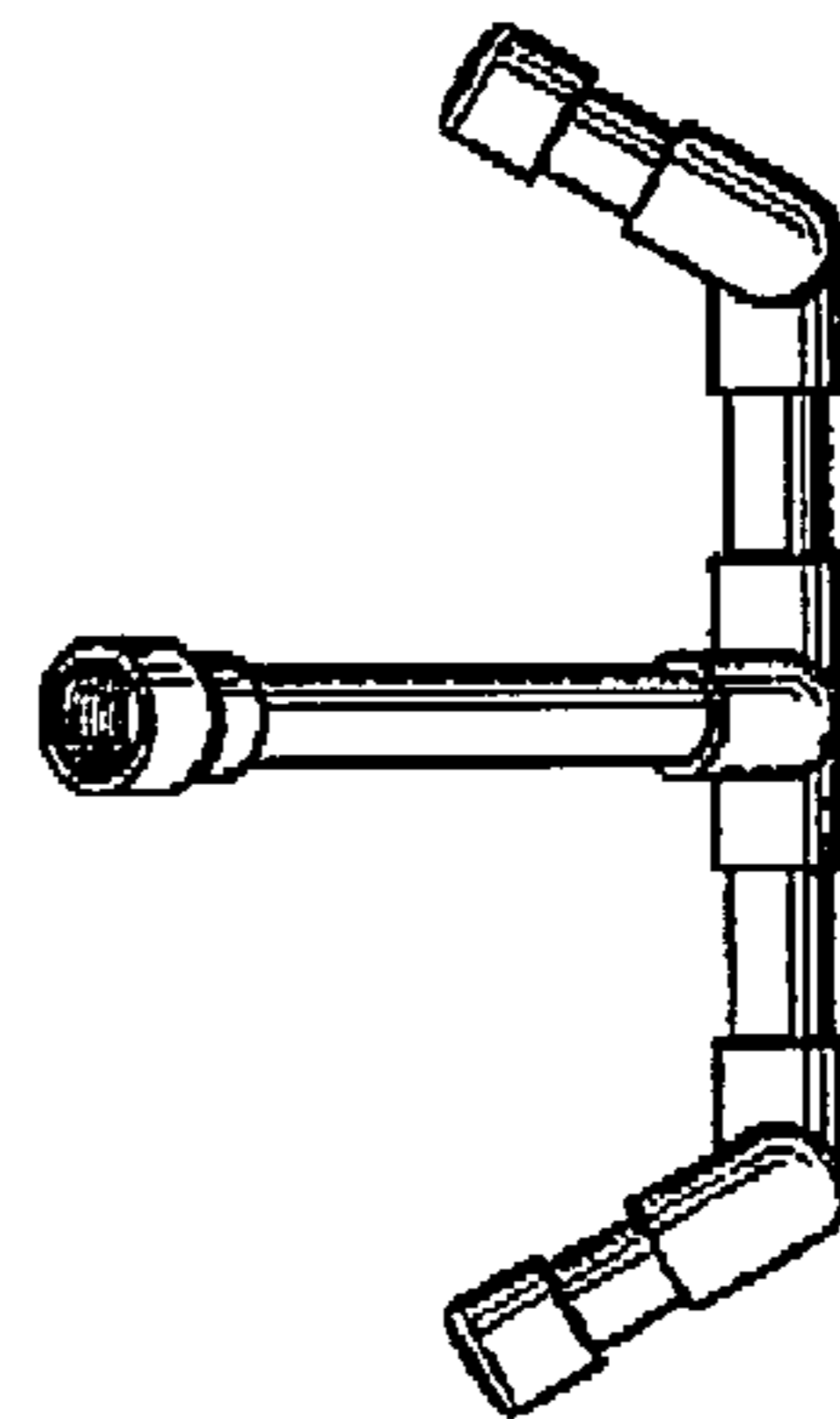
*Fig. 4*



*Fig. 5*



*Fig. 7*



*Fig. 6*