



US00D657842S

(12) **United States Design Patent**  
**Martin**

(10) **Patent No.:** **US D657,842 S**

(45) **Date of Patent:** **\*\* Apr. 17, 2012**

(54) **FISH HOOK**

(75) Inventor: **George Martin**, Little Valley, NY (US)

(73) Assignee: **George Marin**, Little Valley, NY (US)

(\*\*) Term: **14 Years**

(21) Appl. No.: **29/400,471**

(22) Filed: **Aug. 29, 2011**

(51) **LOC (9) Cl.** ..... **22-05**

(52) **U.S. Cl.** ..... **D22/144**

(58) **Field of Classification Search** ..... D22/144-145;  
43/44.83, 44.82, 43.16, 43.2, 43.4, 42.7,  
43/43.6

See application file for complete search history.

(56) **References Cited**

**U.S. PATENT DOCUMENTS**

2,800,740	A *	7/1957	Glaze	.....	43/44.82
5,386,660	A *	2/1995	Levin	.....	43/43.16
D371,594	S *	7/1996	Drapak et al.	.....	D22/144
5,875,584	A *	3/1999	Gowing	.....	43/44.82
D440,275	S *	4/2001	Rosenberg	.....	D22/144
D505,480	S	5/2005	Mathieu		
D617,412	S *	6/2010	Hatfield	.....	D22/144
D636,457	S *	4/2011	Hatfield	.....	D22/144

**OTHER PUBLICATIONS**

Mustad Fish Hook pre 2011.  
Gamakatsu Frog Hook pre 2011.

\* cited by examiner

*Primary Examiner* — Catheri Oliver

(74) *Attorney, Agent, or Firm* — McDonnell Boehnen  
Hulbert & Berghoff

(57) **CLAIM**

The ornamental design for a fish hook, as shown and described.

**DESCRIPTION**

FIG. 1 is a perspective right side view of a fish hook having the inventive design;

FIG. 2 is a front view of the fish hook shown in FIG. 1;

FIG. 3 is a rear view of the fish hook shown in FIG. 1;

FIG. 4 is a left side view of the fish hook shown in FIG. 1;

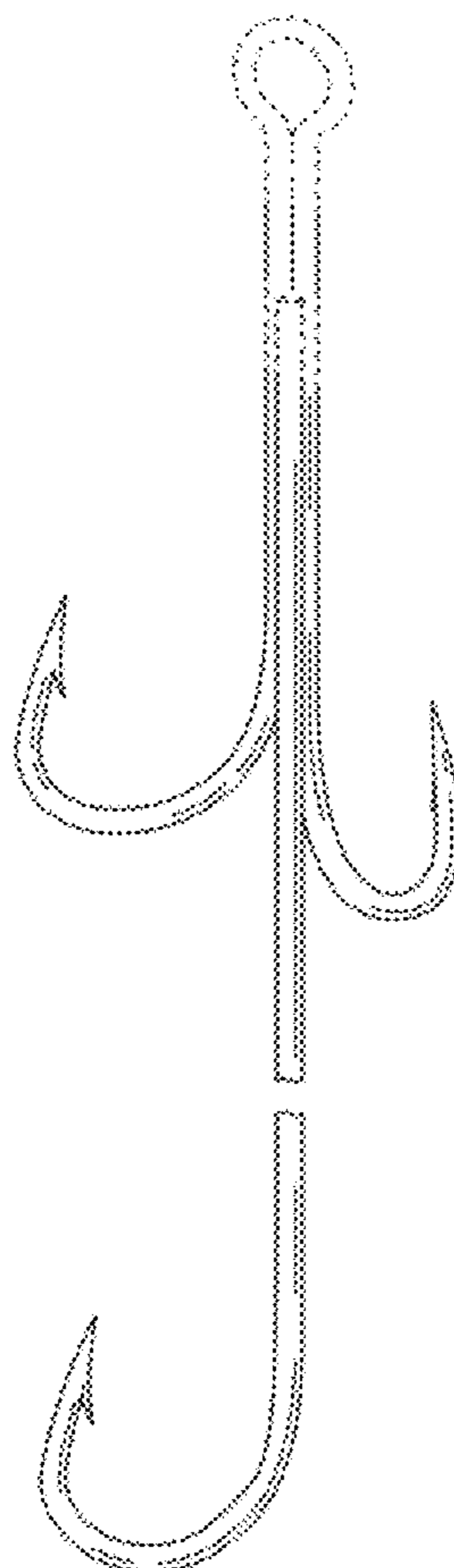
FIG. 5 is a right side view of the fish hook shown in FIG. 1;

FIG. 6 is a top view of the fish hook shown in FIG. 1; and,

FIG. 7 is a bottom view of the fish hook shown in FIG. 1.

The broken line showing of environment in the drawings is included for the purpose of illustrating only and forms no part of the claimed design.

**1 Claim, 4 Drawing Sheets**



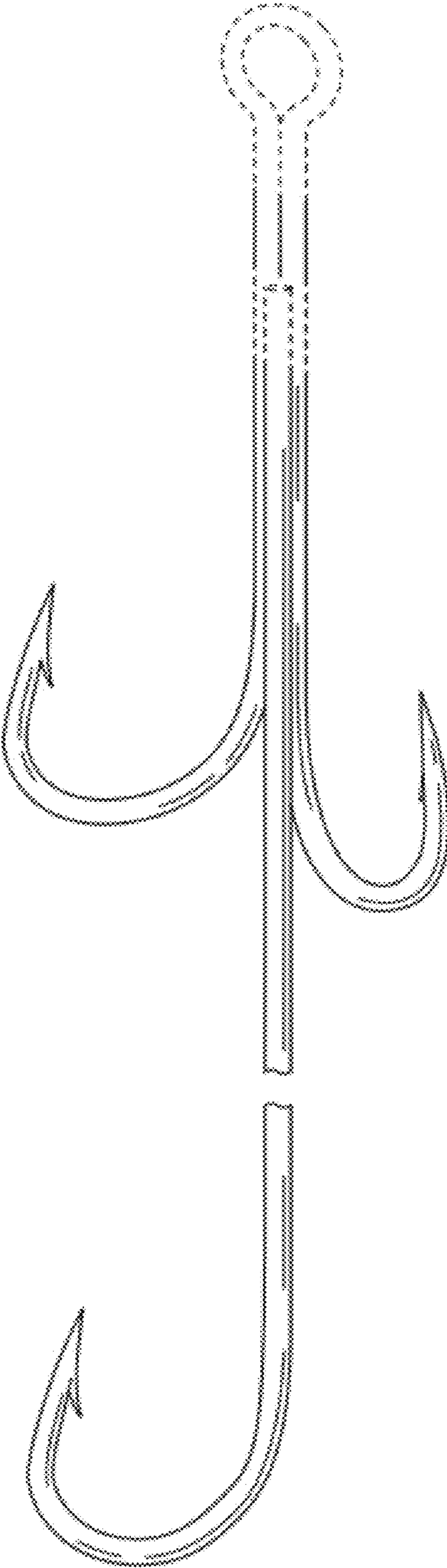


FIG. 1

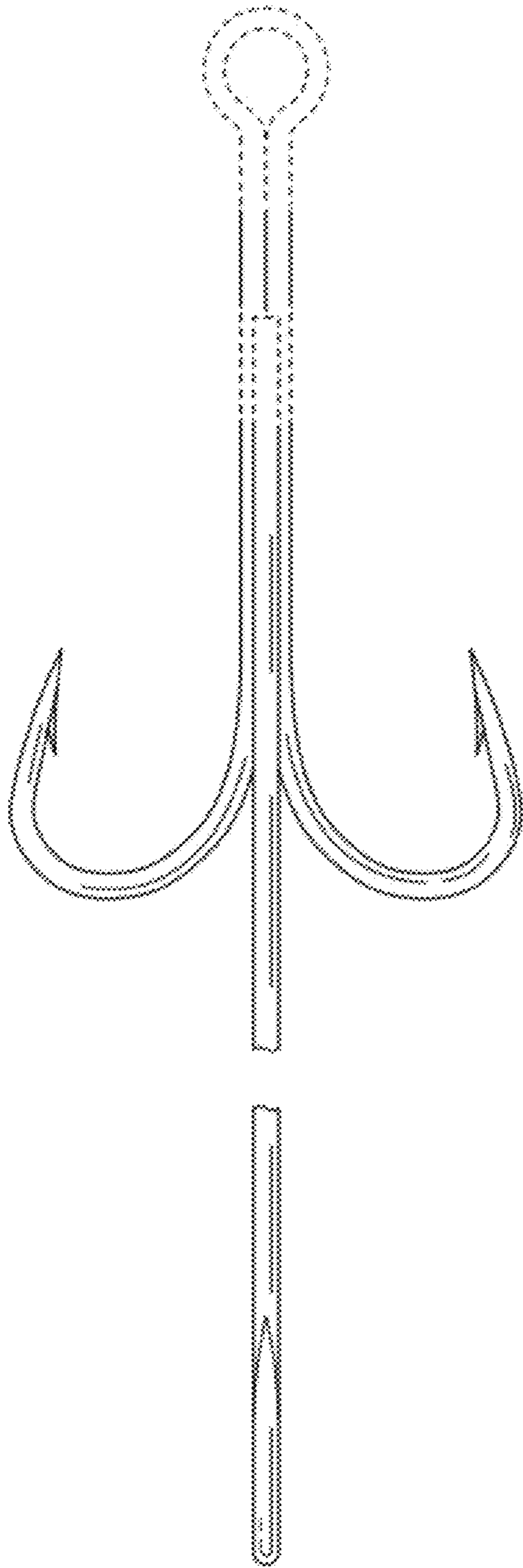


FIG. 2

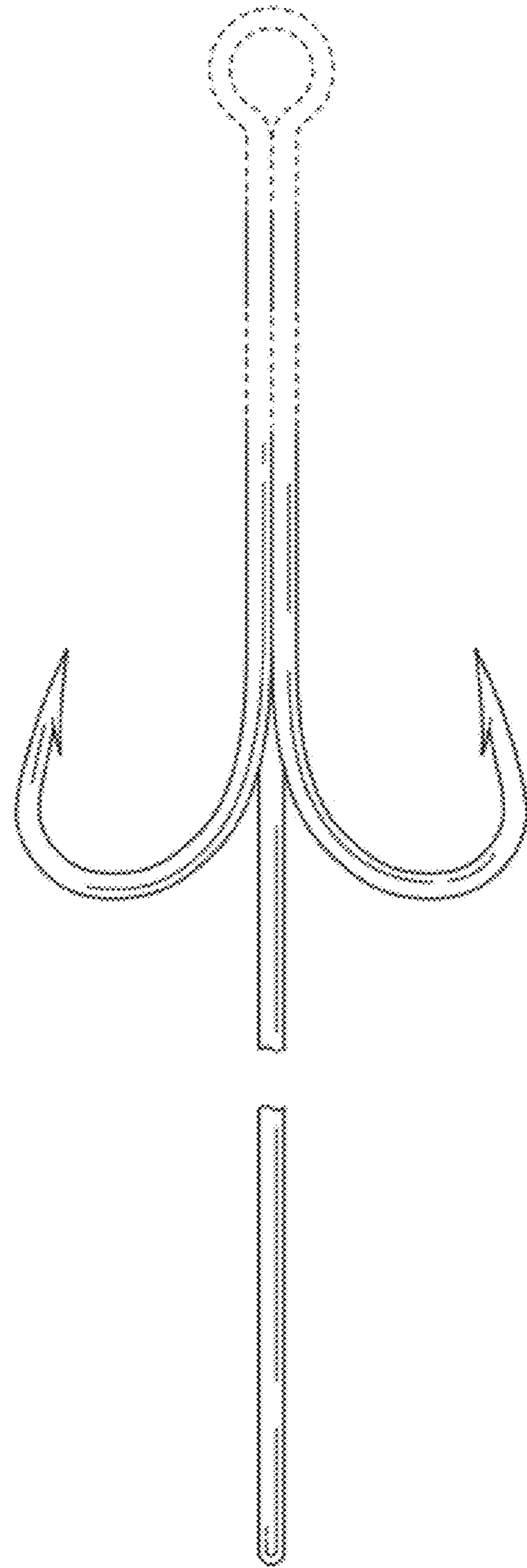


FIG. 3

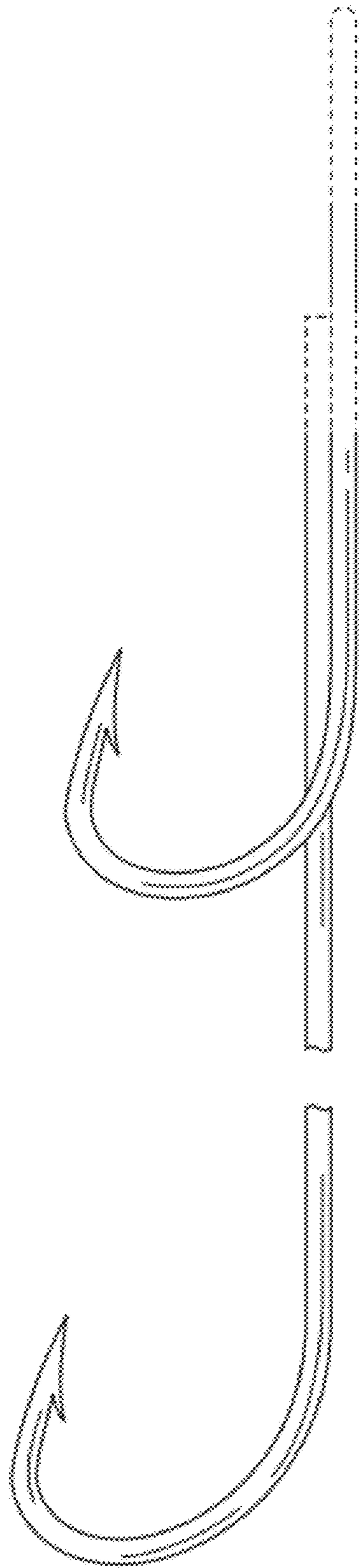


FIG. 4

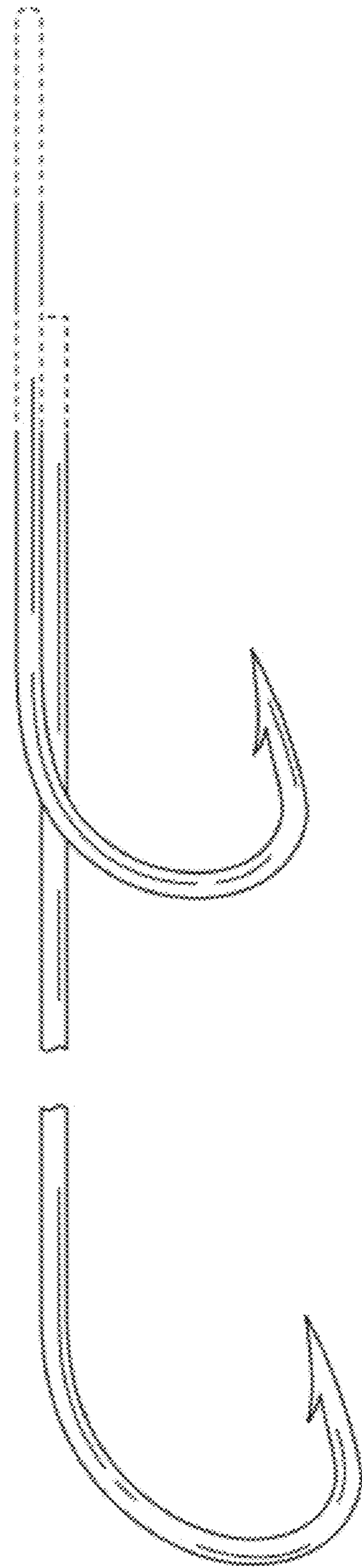


FIG. 5

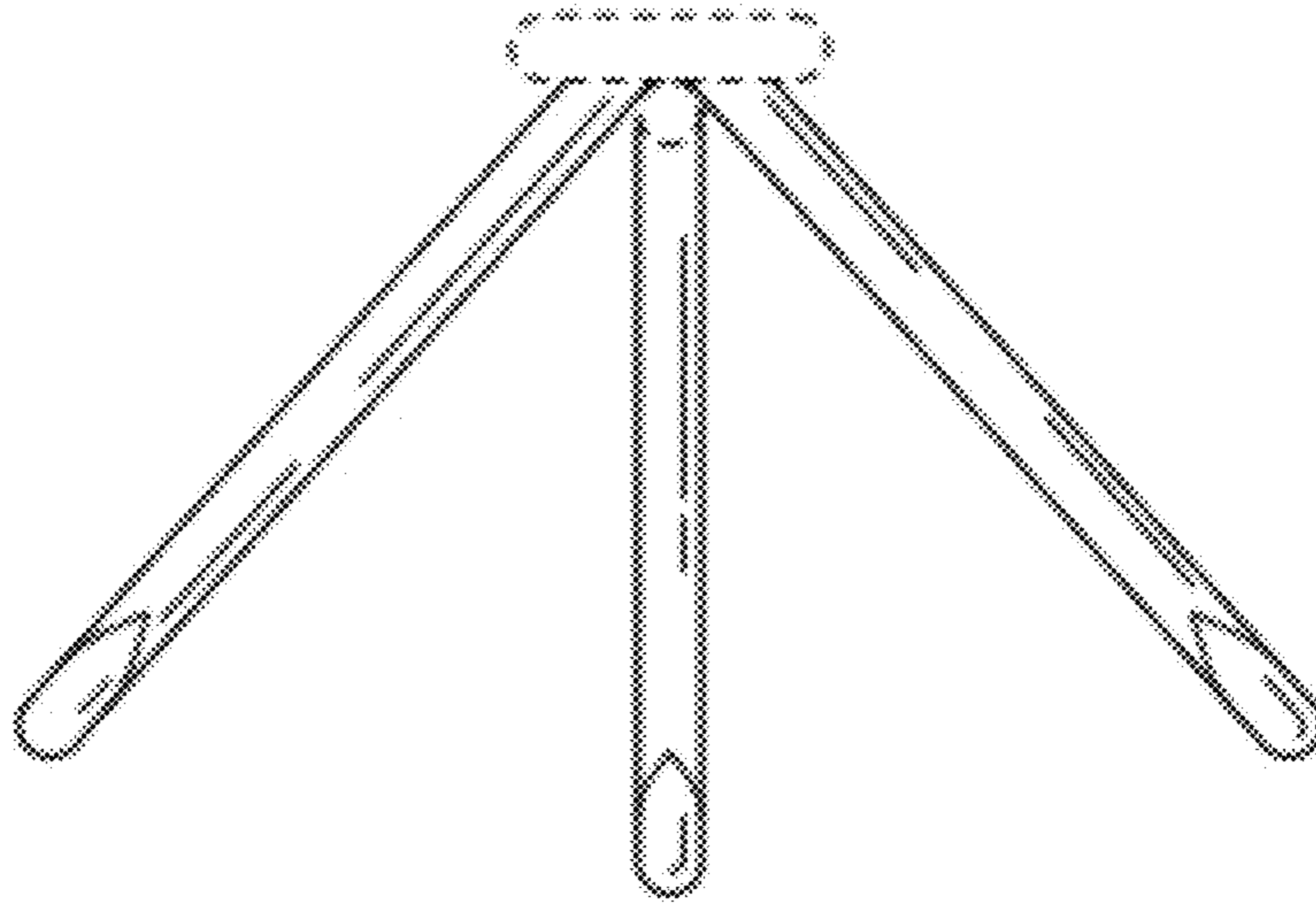


FIG. 6

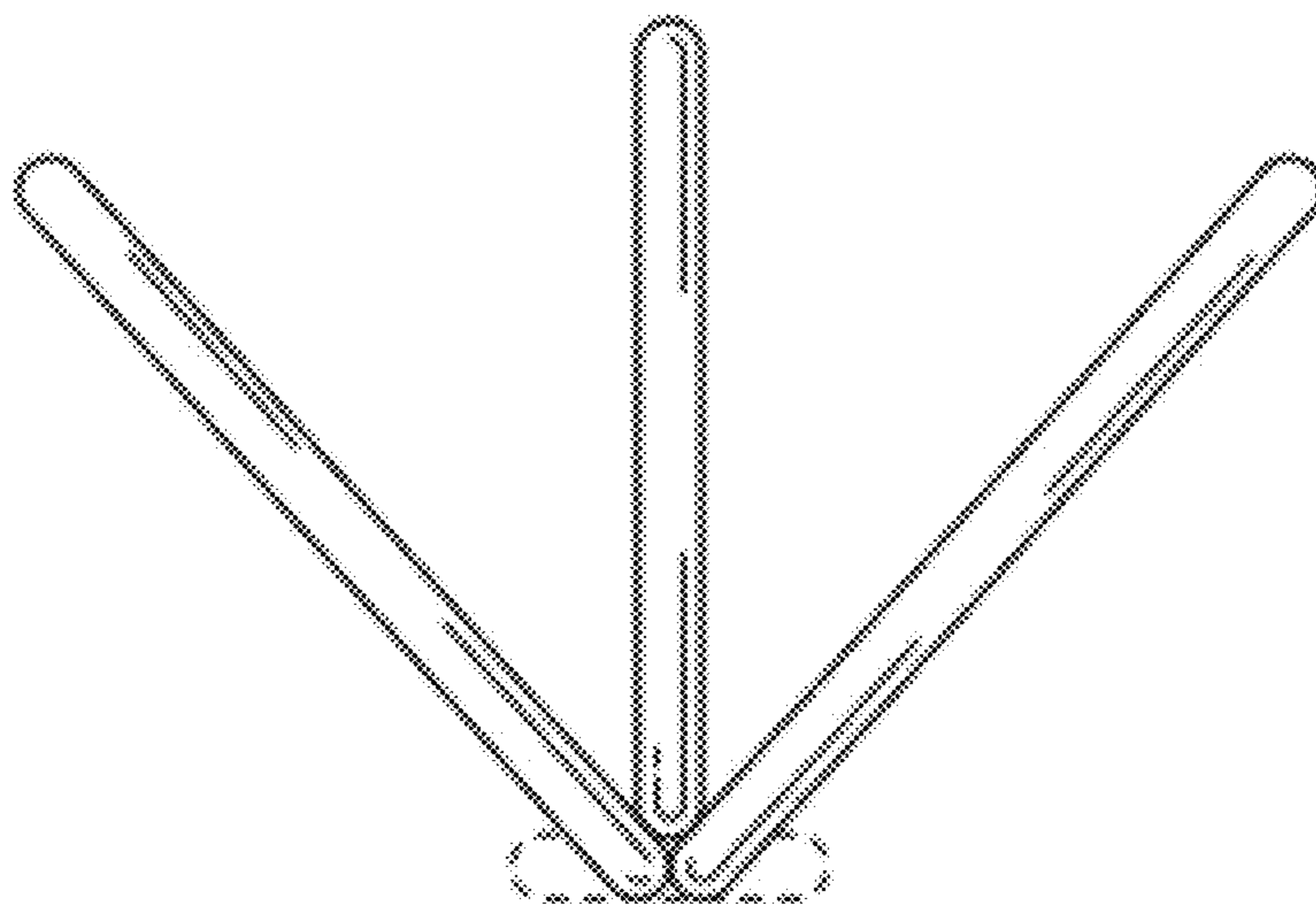


FIG. 7

UNITED STATES PATENT AND TRADEMARK OFFICE  
**CERTIFICATE OF CORRECTION**

PATENT NO. : D657,842 S  
APPLICATION NO. : 29/400471  
DATED : April 17, 2012  
INVENTOR(S) : George Martin

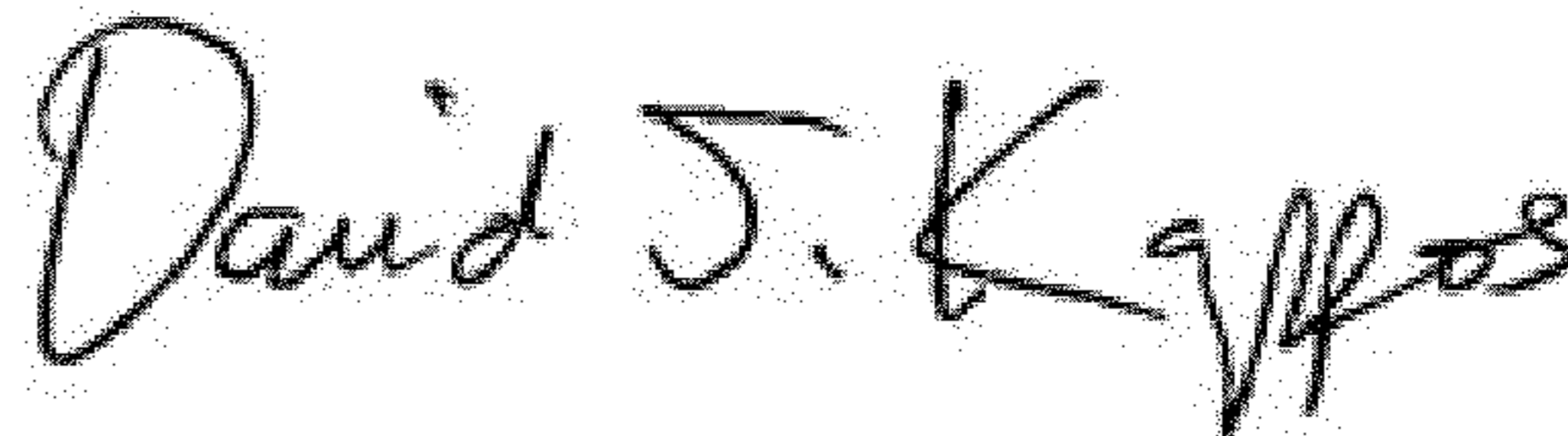
Page 1 of 1

It is certified that error appears in the above-identified patent and that said Letters Patent is hereby corrected as shown below:

At item (73), of the Title page of US. Patent D657,842, next to the word "Assignee:"

Please delete "George Marin, Little Valley, NY (US) and replace with "None"

Signed and Sealed this  
Second Day of October, 2012

A handwritten signature in black ink that reads "David J. Kappos". The signature is written in a cursive, slightly slanted style.

David J. Kappos  
*Director of the United States Patent and Trademark Office*