



US00D657840S

(12) **United States Design Patent**
Prieto

(10) **Patent No.:** **US D657,840 S**

(45) **Date of Patent:** **** Apr. 17, 2012**

(54) **MOUNTING CLAMP**

(75) Inventor: **Jimmy Prieto**, Fort Worth, TX (US)

(73) Assignee: **Alliance Sports Group, L.P.**, Grand Prairie, TX (US)

(**) Term: **14 Years**

(21) Appl. No.: **29/381,238**

(22) Filed: **Dec. 16, 2010**

(51) **LOC (9) Cl.** **22-01**

(52) **U.S. Cl.** **D22/108**

(58) **Field of Classification Search** D22/100,
D22/101, 103, 104, 108, 199; D21/572,
D21/573; 42/51, 71.01, 75.01, 75.02, 90,
42/94, 134, 136, 139, 125, 72, 111; 362/110;
89/40.06, 41.19, 37.04, 33.04, 191.01, 200-204;
124/67, 66, 72, 74; D8/72-74

See application file for complete search history.

5,931,423 A	8/1999	Heideloff	
5,941,483 A	8/1999	Baginski	
D415,239 S *	10/1999	Fell et al.	D22/110
6,017,008 A	1/2000	Farley	
D424,651 S *	5/2000	Primeau, IV	D22/110
D426,612 S *	6/2000	Primeau, IV	D22/110
6,277,069 B1	8/2001	Gray	
6,435,565 B2	8/2002	Potts et al.	
6,536,982 B2	3/2003	Gibbons et al.	
6,668,479 B1 *	12/2003	Obong	42/90
7,308,739 B2	12/2007	Andersen et al.	
7,314,331 B1	1/2008	Koros et al.	
D588,227 S *	3/2009	Swenson et al.	D22/108

* cited by examiner

Primary Examiner — Michael Pratt

(74) *Attorney, Agent, or Firm* — Thorpe North & Western LLP

(57) **CLAIM**

The ornamental design for a mounting clamp, as shown and described.

DESCRIPTION

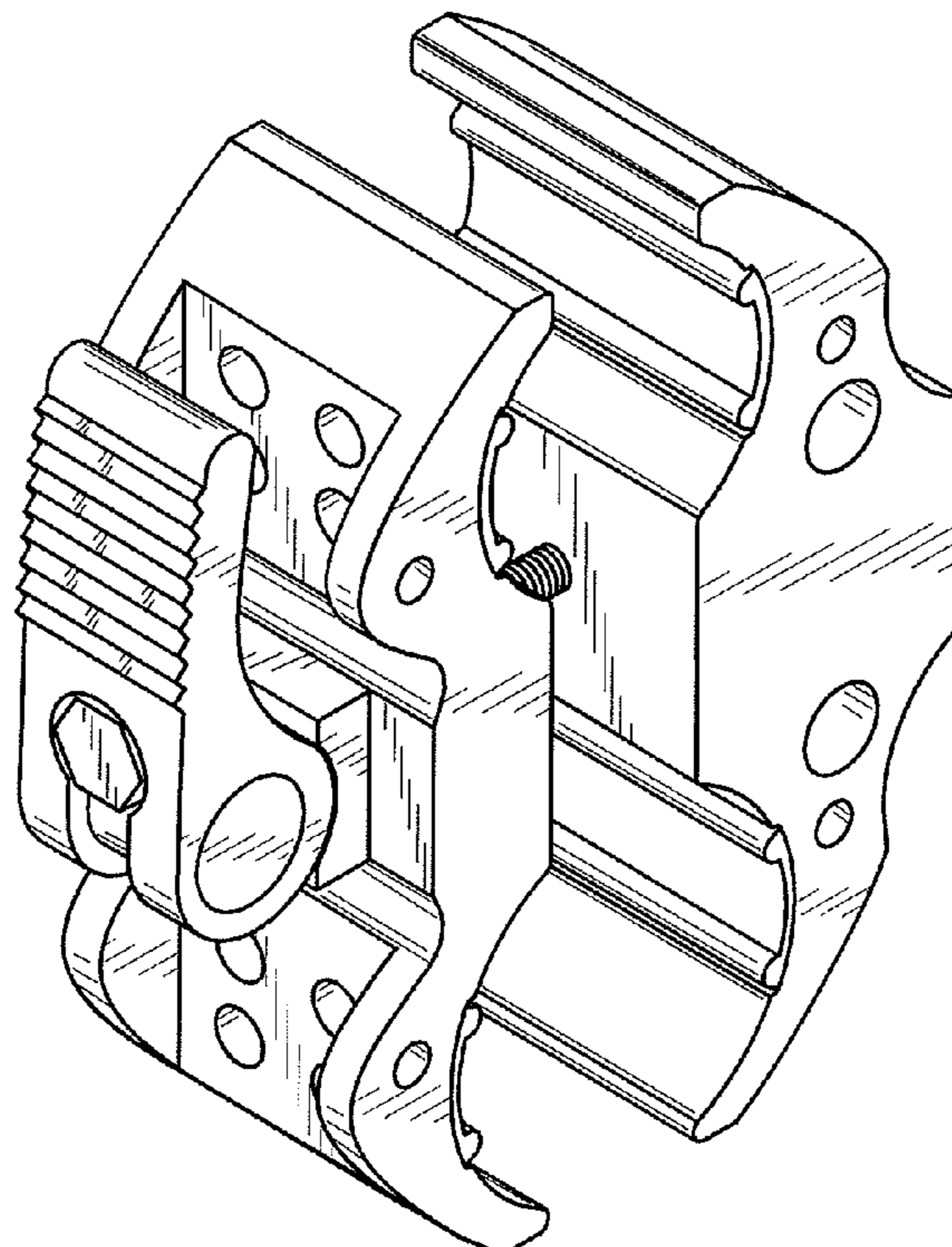
FIG. 1 is a perspective view of the mounting clamp;
FIG. 2 is a front view of the mounting clamp;
FIG. 3 is a rear view of the mounting clamp;
FIG. 4 is a top view of the mounting clamp;
FIG. 5 is a bottom view of the mounting clamp;
FIG. 6 is an end view of the mounting clamp;
FIG. 7 is an opposing end view of the mounting clamp; and,
FIG. 8 is a front view of the mounting clamp of FIG. 2 shown with cam lever in an open position.

1 Claim, 3 Drawing Sheets

(56) **References Cited**

U.S. PATENT DOCUMENTS

2,452,406 A	10/1948	Volkery et al.	
4,097,169 A	6/1978	Kelly	
4,799,641 A	1/1989	Koreski	
D318,313 S *	7/1991	Bechtel	D22/110
D331,442 S *	12/1992	Bechtel	D22/110
5,172,877 A	12/1992	Hattori et al.	
5,181,684 A	1/1993	Sager	
5,593,205 A	1/1997	Vanderminden, Sr. et al.	
D394,096 S *	5/1998	Edgar	D22/110
5,769,556 A	6/1998	Colley	
5,921,517 A	7/1999	Meuth	



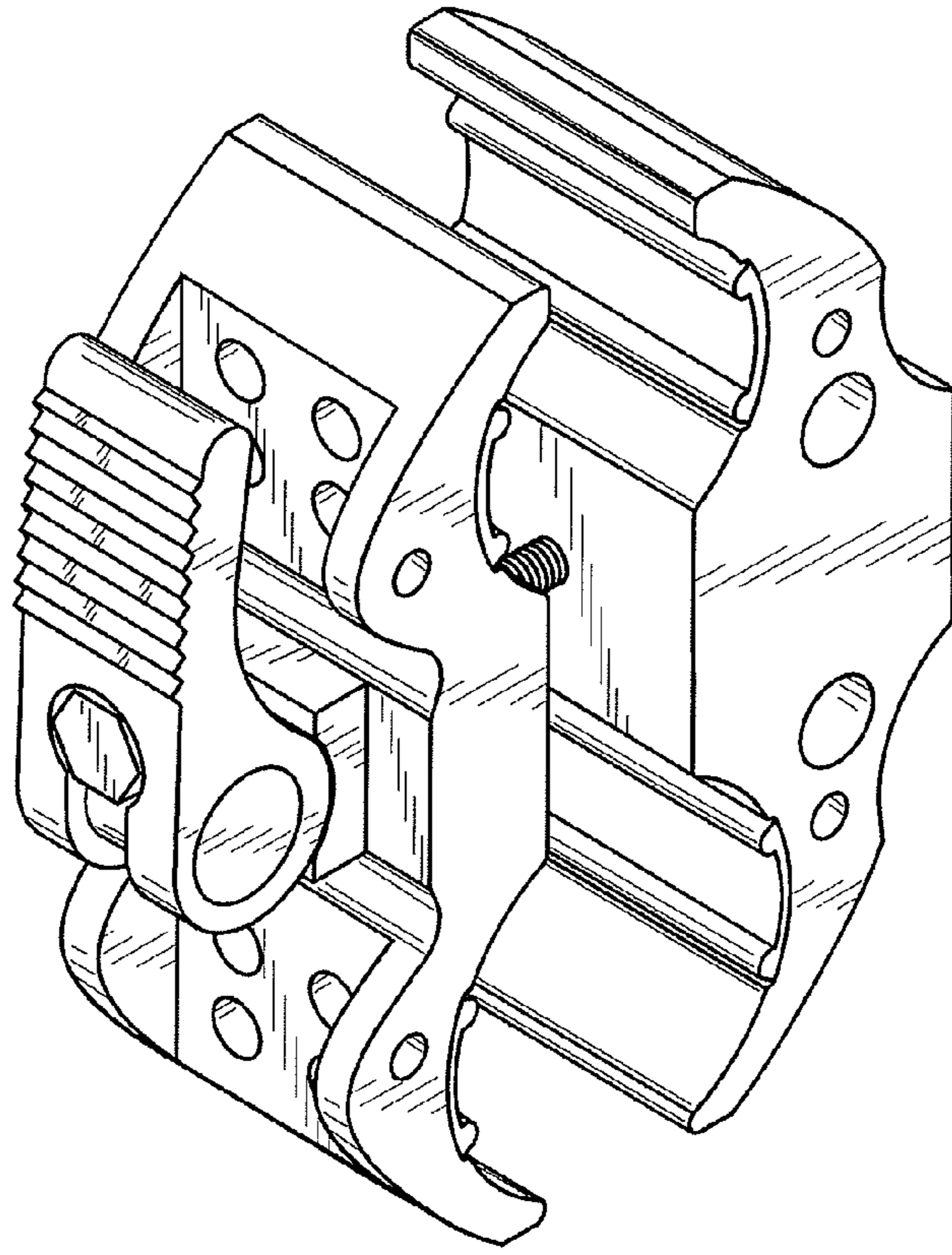


FIG. 1

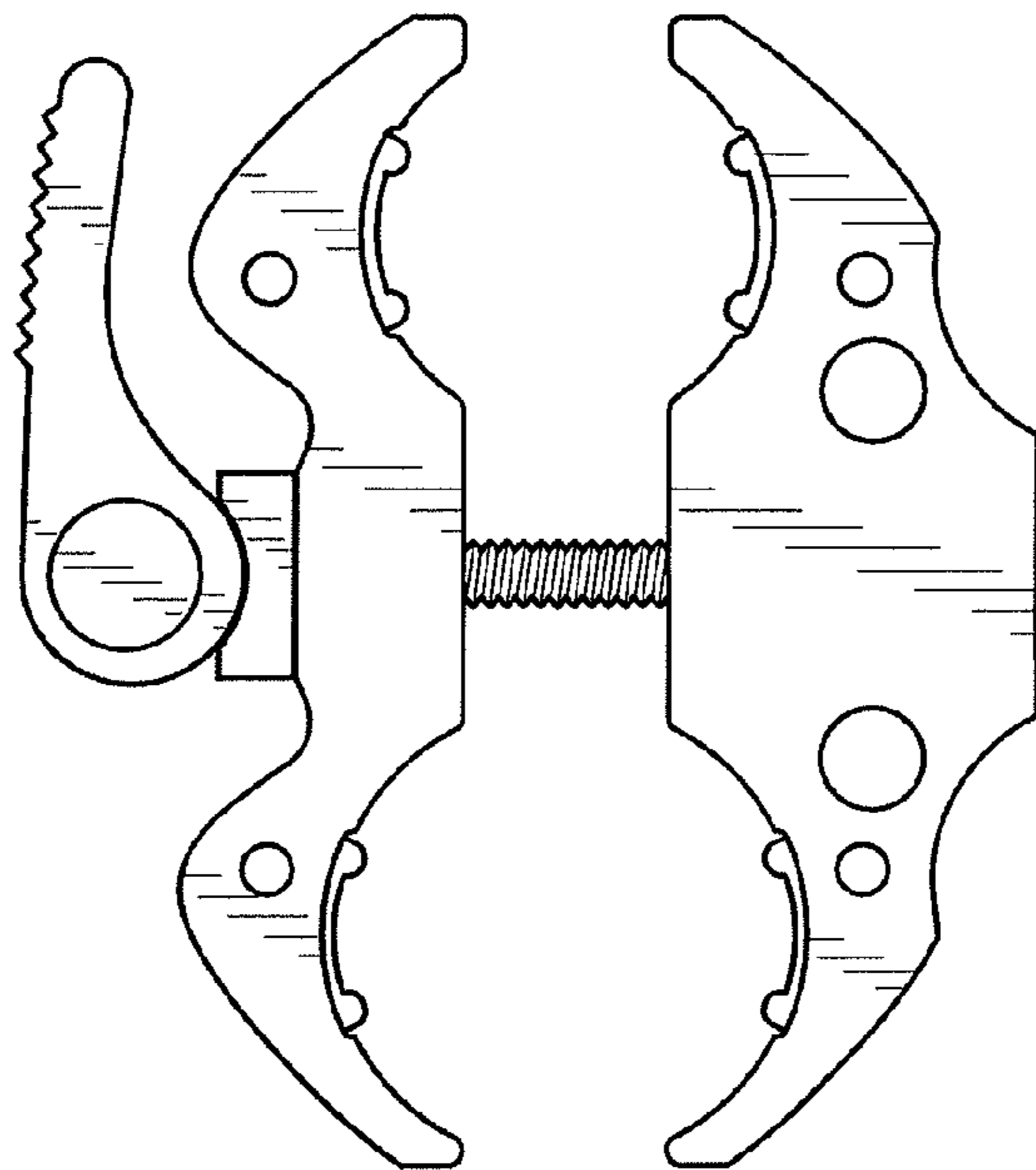


FIG. 2

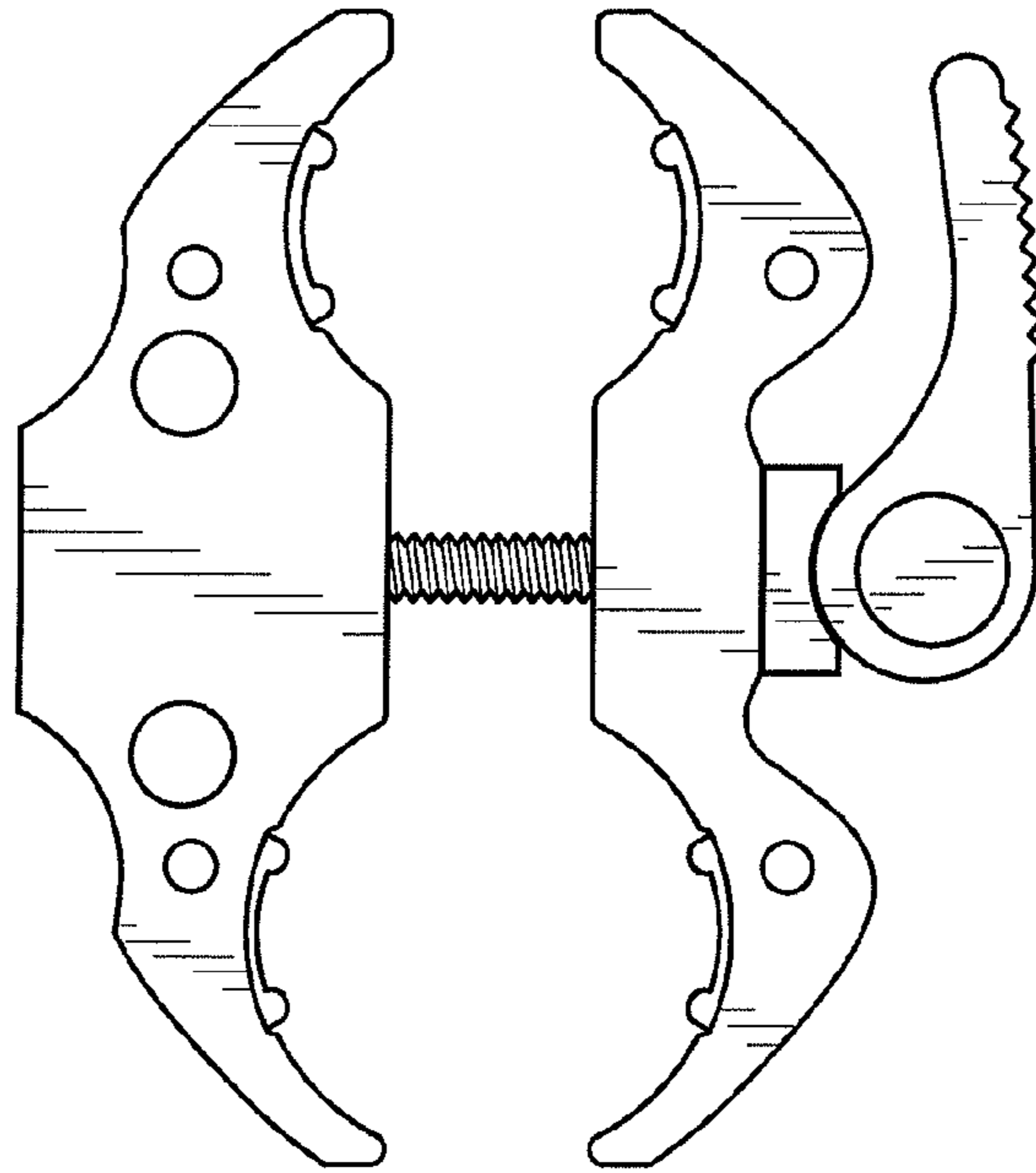


FIG. 3

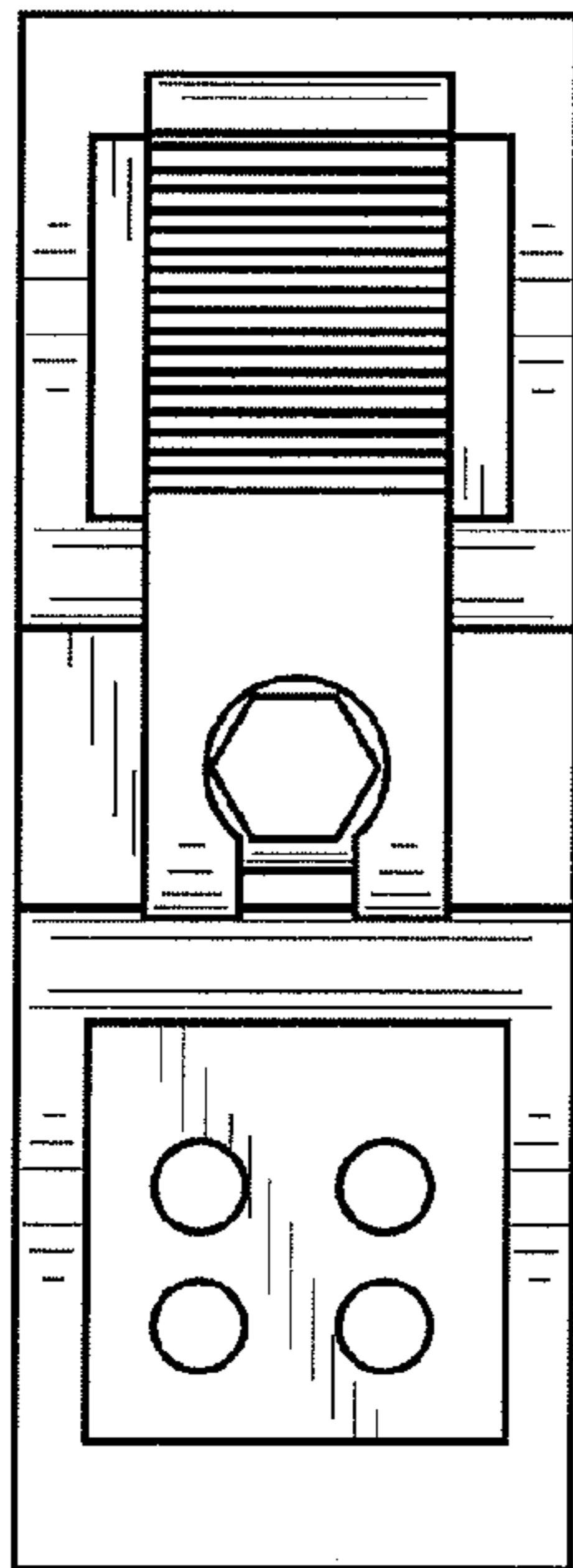


FIG. 4

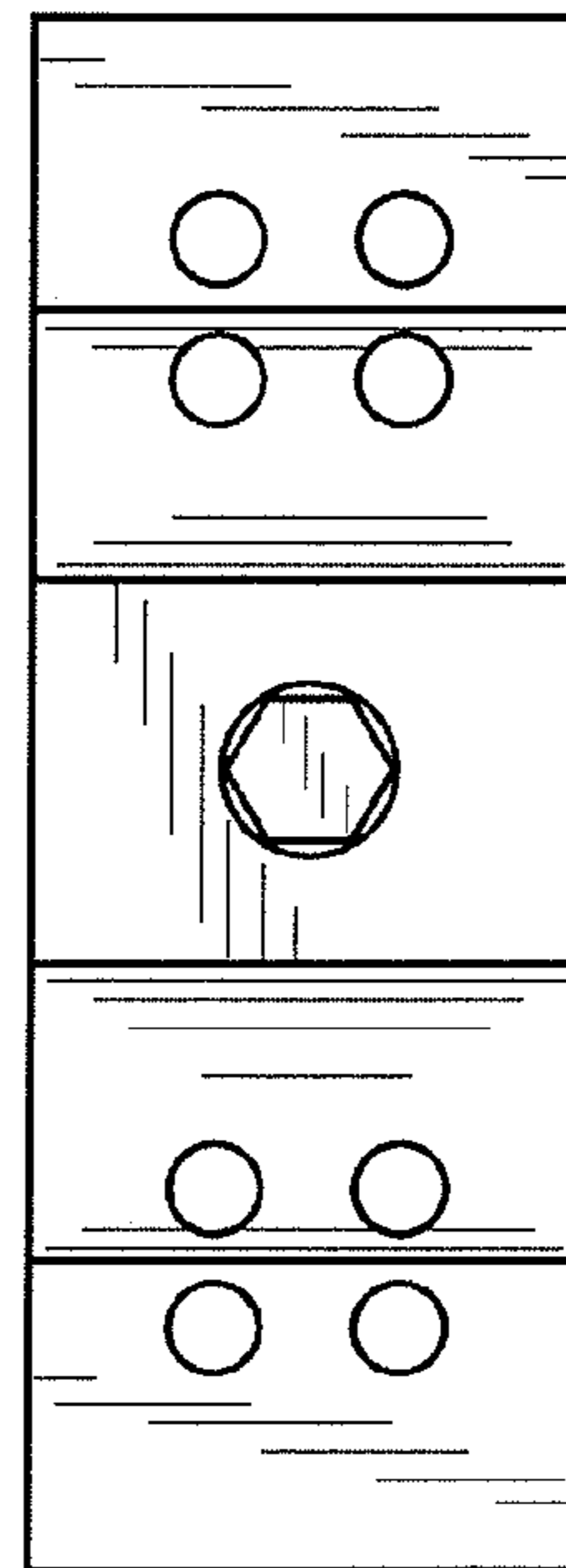


FIG. 5

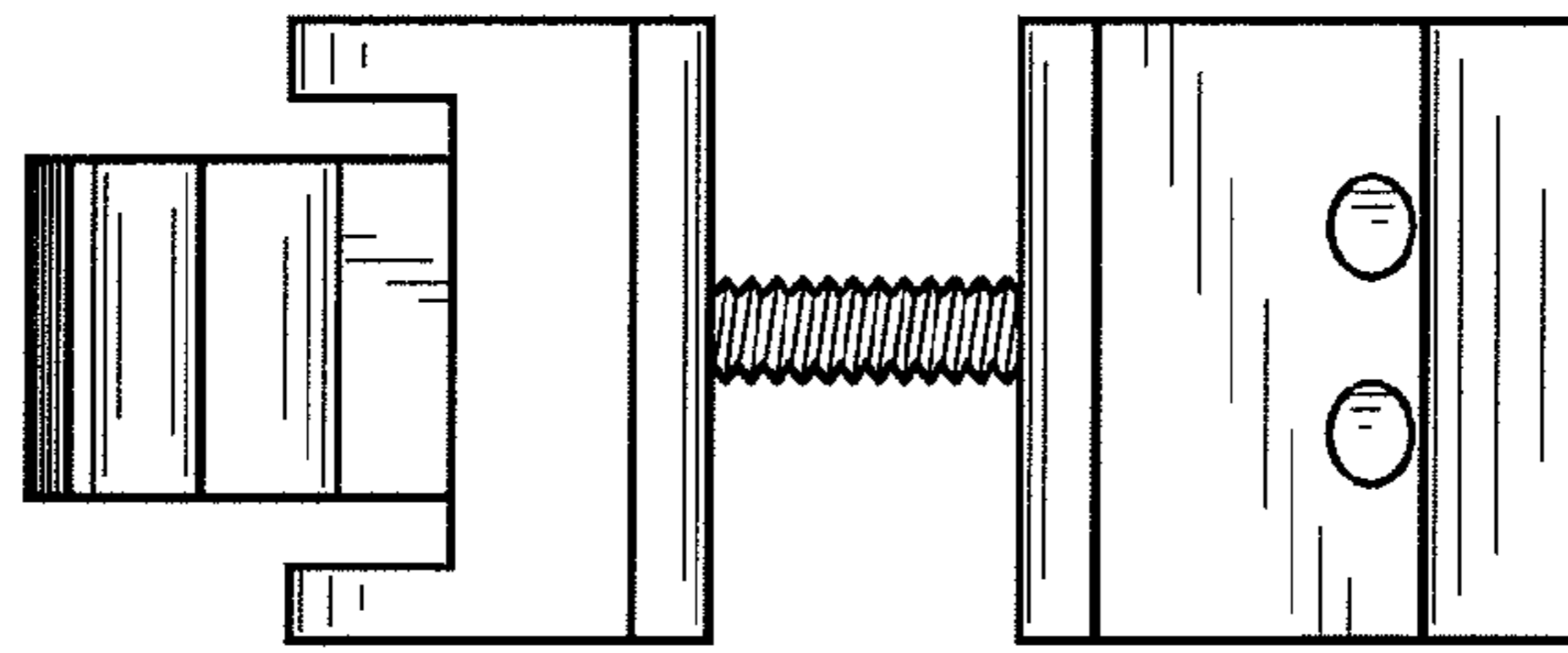


FIG. 6

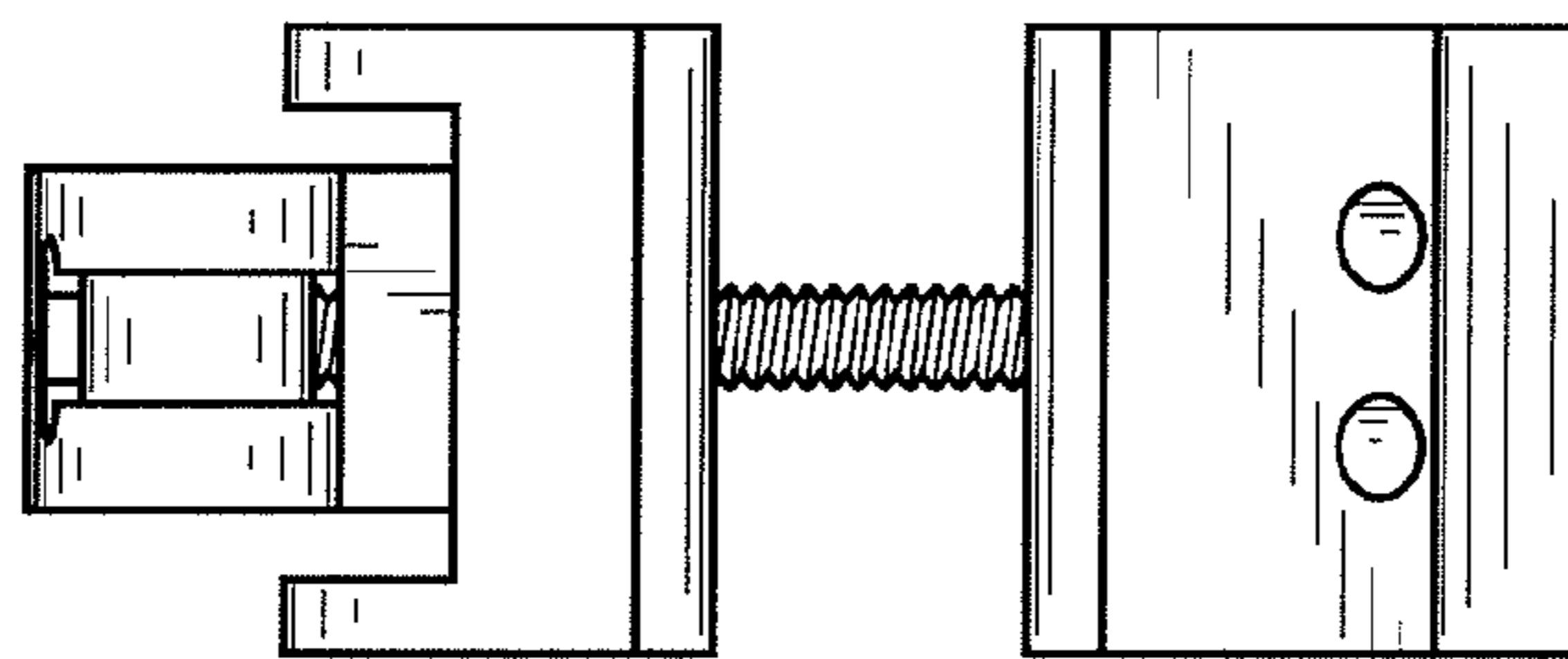


FIG. 7

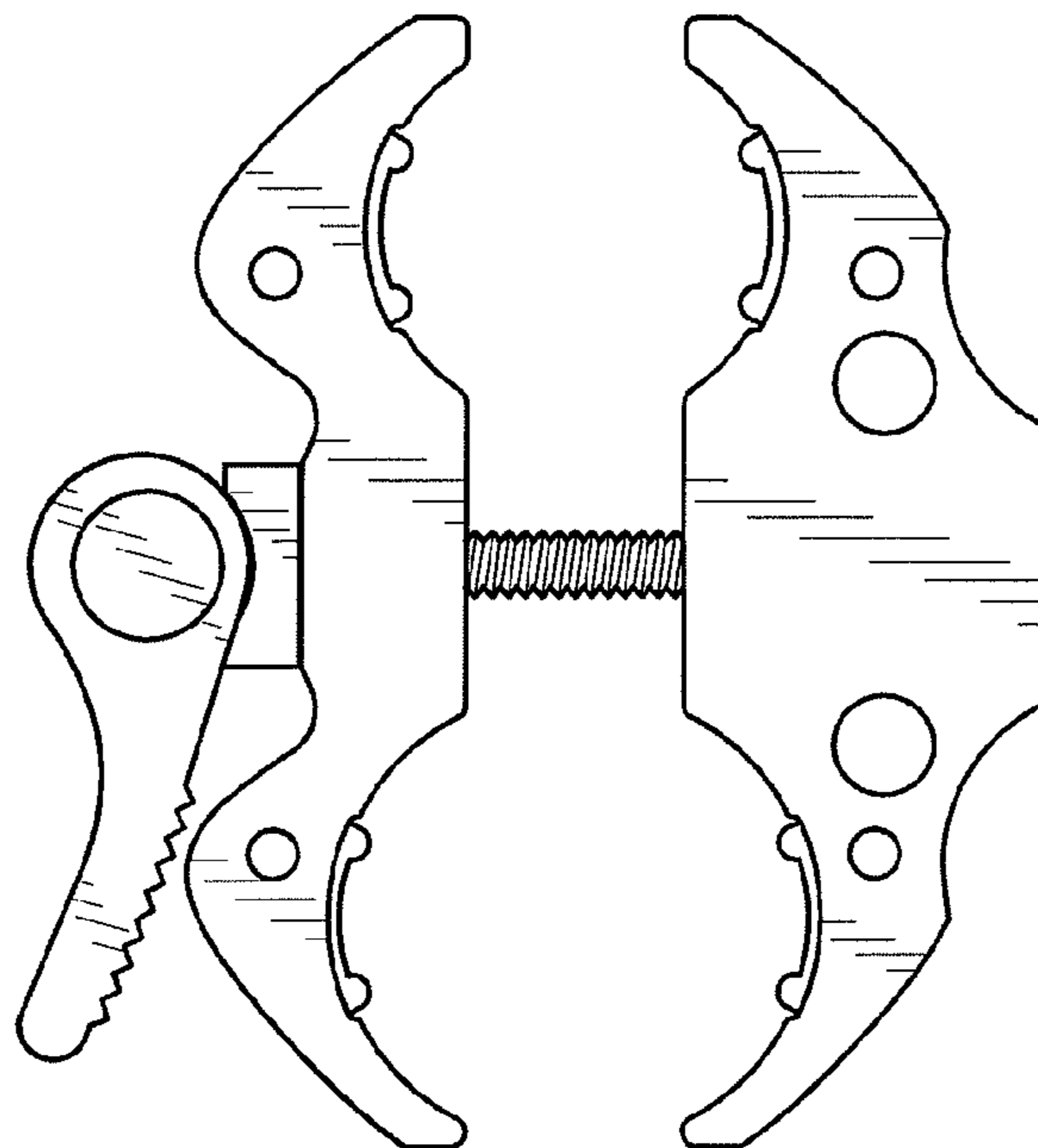


FIG. 8