



US00D657839S

(12) **United States Design Patent**
Karfiol et al.

(10) **Patent No.:** **US D657,839 S**

(45) **Date of Patent:** **** Apr. 17, 2012**

(54) **THUMB LEVER FOR A PISTOL**

(75) Inventors: **Yury Karfiol**, Brooklyn, NY (US); **John Goliber**, Leonia, NJ (US); **Leslie P. Edelman**, Englewood, NJ (US); **Ralph Karanian**, Wethersfield, CT (US); **Ryan D. Busse**, Kalispell, MT (US); **Winslow Potter**, Katonah, NY (US)

(73) Assignee: **Kimber IP, LLC**, Yonkers, NY (US)

(**) Term: **14 Years**

(21) Appl. No.: **29/392,104**

(22) Filed: **May 17, 2011**

Related U.S. Application Data

(63) Continuation-in-part of application No. 12/980,521, filed on Dec. 29, 2010, and a continuation-in-part of application No. 13/017,105, filed on Jan. 31, 2011.

(51) **LOC (9) Cl.** **22-01**

(52) **U.S. Cl.** **D22/104; D22/108**

(58) **Field of Classification Search** D22/100, D22/104, 108, 199; D21/145, 146, 147, D21/567, 572, 573-575; 42/40, 41, 42.01, 42/42.02, 42.03, 43, 44, 45, 57, 69.01, 71.02, 42/72, 100; 124/31, 37; 362/110, 113

See application file for complete search history.

(56) **References Cited**

U.S. PATENT DOCUMENTS

5,267,407	A *	12/1993	Bornancini	42/70.08
5,808,229	A *	9/1998	Bastian et al.	89/163
5,903,994	A *	5/1999	Tange	42/70.01
6,415,702	B1 *	7/2002	Szabo et al.	89/148

OTHER PUBLICATIONS

Kimber Mfg., Inc., "http://www.kimberamerica.com/uploads/catalog-download/Kimber%202009%20Product%20Catalog.pdf", 2009.

* cited by examiner

Primary Examiner — Michael Pratt

(74) *Attorney, Agent, or Firm* — Caesar, Rivise, Bernstein, Cohen & Pokotilow, Ltd.

(57) **CLAIM**

The ornamental design for a thumb lever for a pistol, as shown and described.

DESCRIPTION

FIG. 1 is a rear isometric view of a thumb lever for a pistol in accordance with a preferred embodiment of my design;

FIG. 2 is a front isometric view of the thumb lever for a pistol of FIG. 1;

FIG. 3 is a front elevation view of the thumb lever for a pistol of FIG. 1;

FIG. 4 is a rear elevation view of the thumb lever for a pistol of FIG. 1;

FIG. 5 is a left side view of the thumb lever for a pistol of FIG. 1;

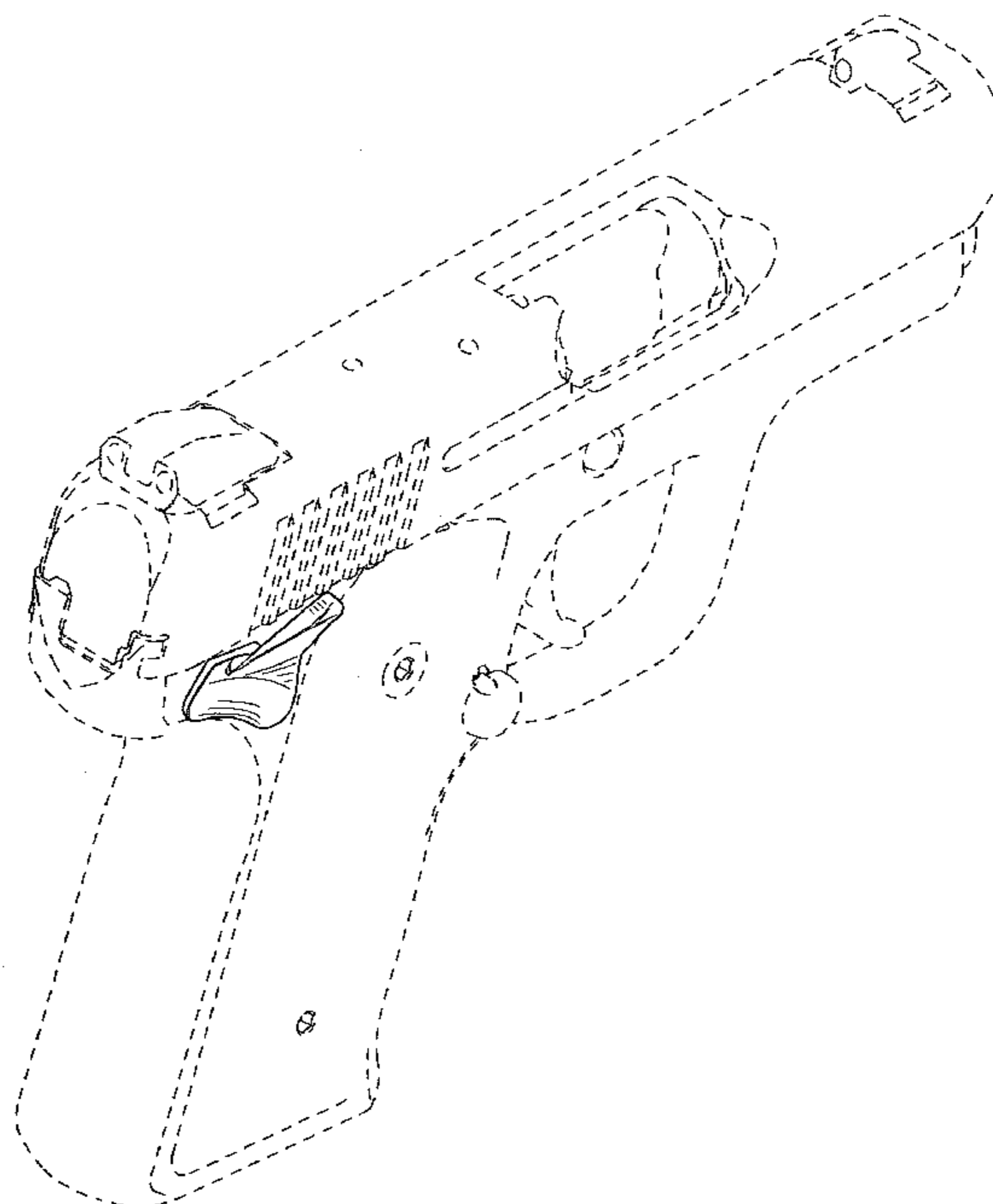
FIG. 6 is a right side view of the thumb lever for a pistol of FIG. 1;

FIG. 7 is a top view of the thumb lever for a pistol of FIG. 1; and,

FIG. 8 is a bottom view of the thumb lever for a pistol of FIG. 1.

The dashed lines shown in the figures represent environmental subject matter and form no part of the claimed design.

1 Claim, 6 Drawing Sheets



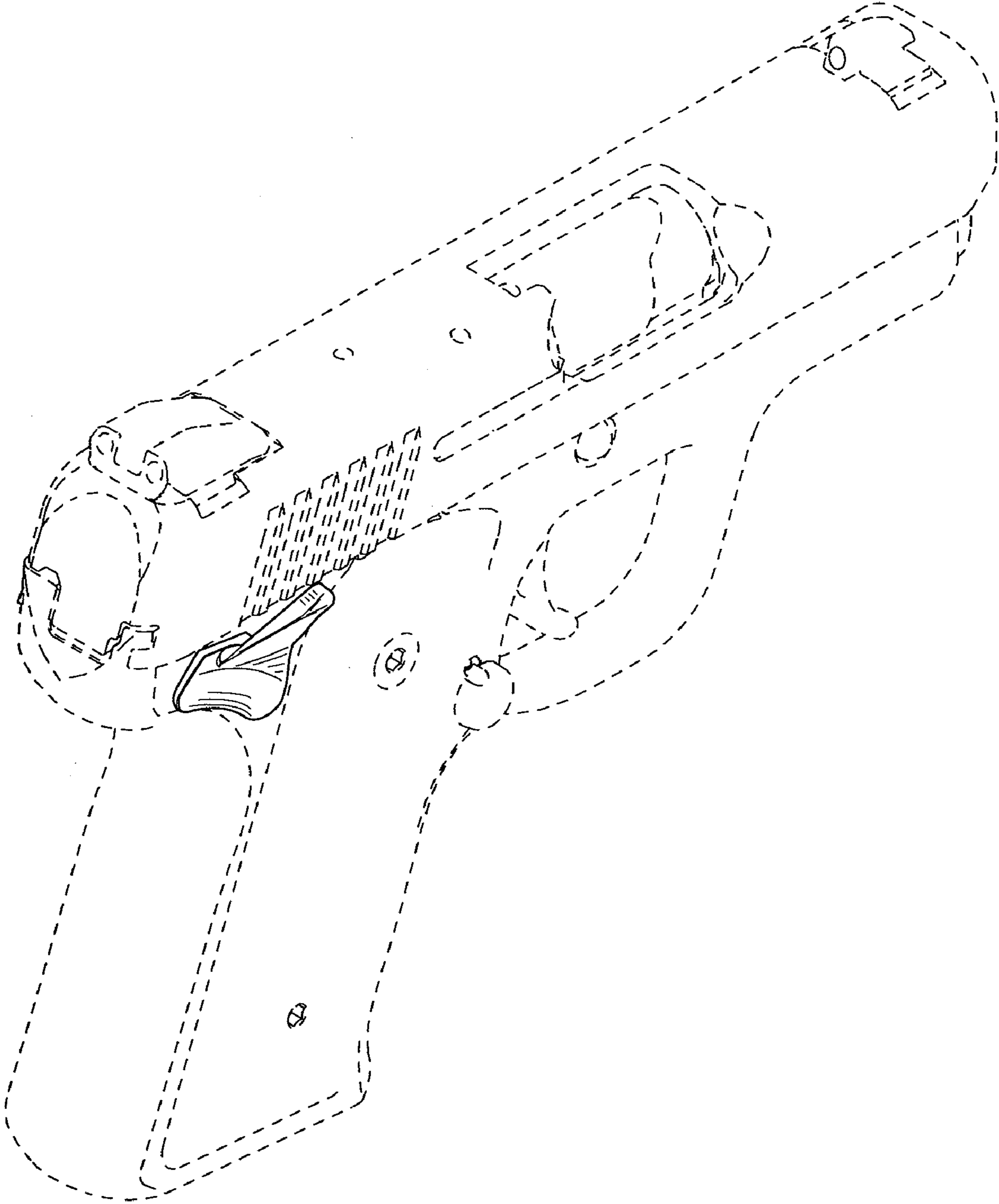


FIG. 1

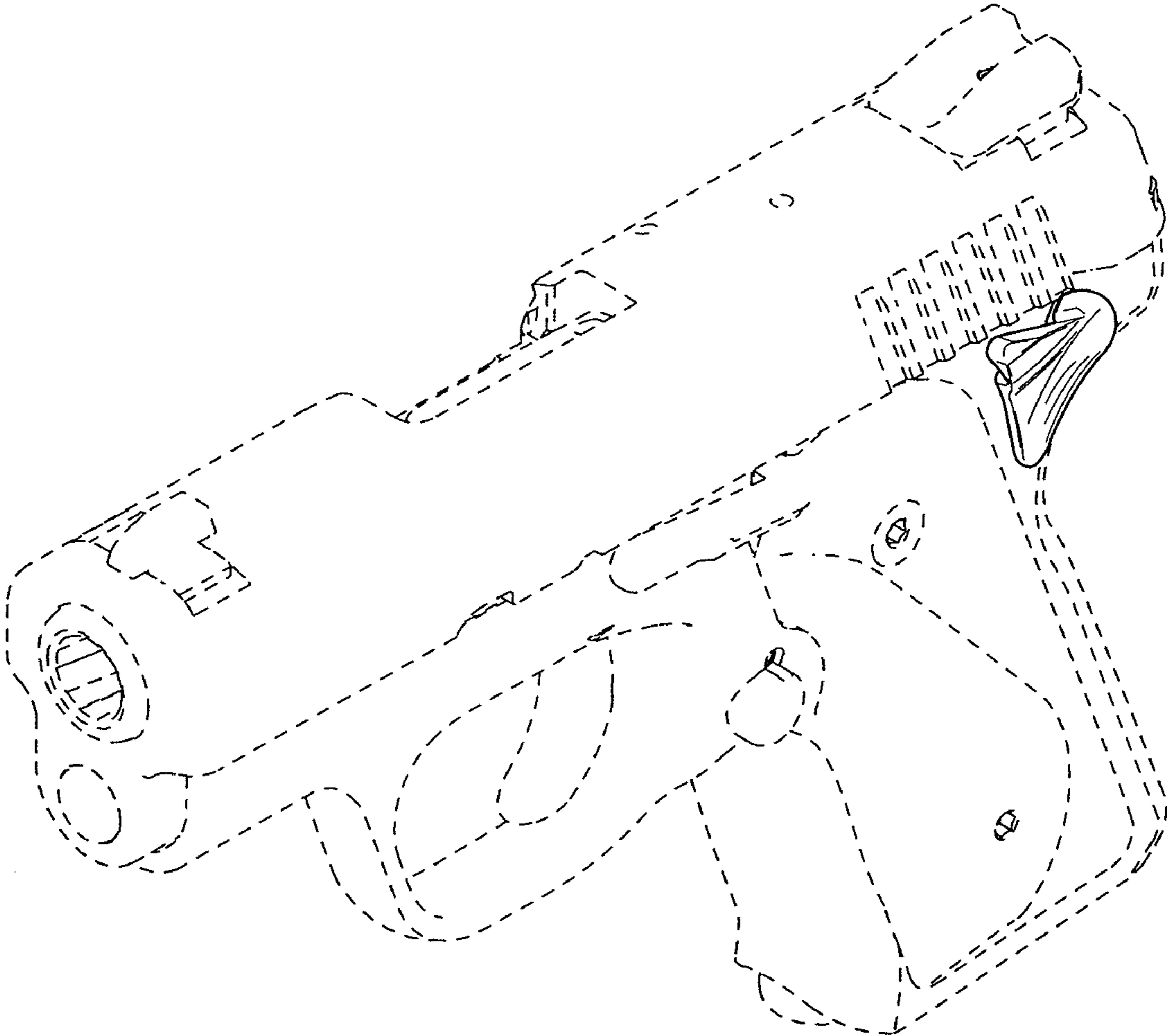


FIG. 2

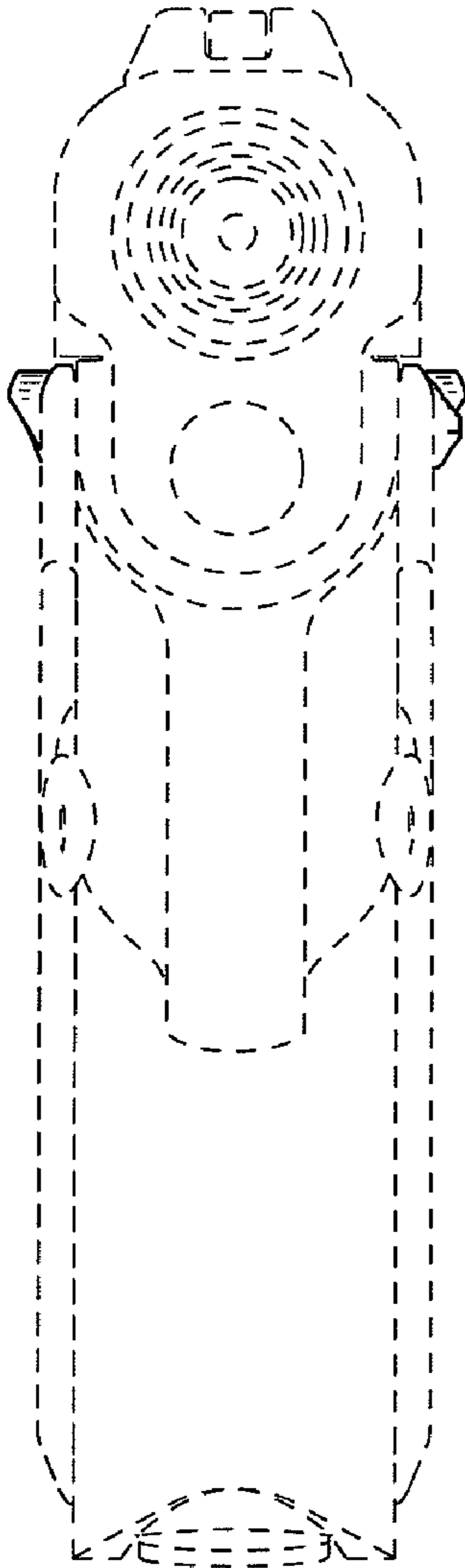


FIG. 3

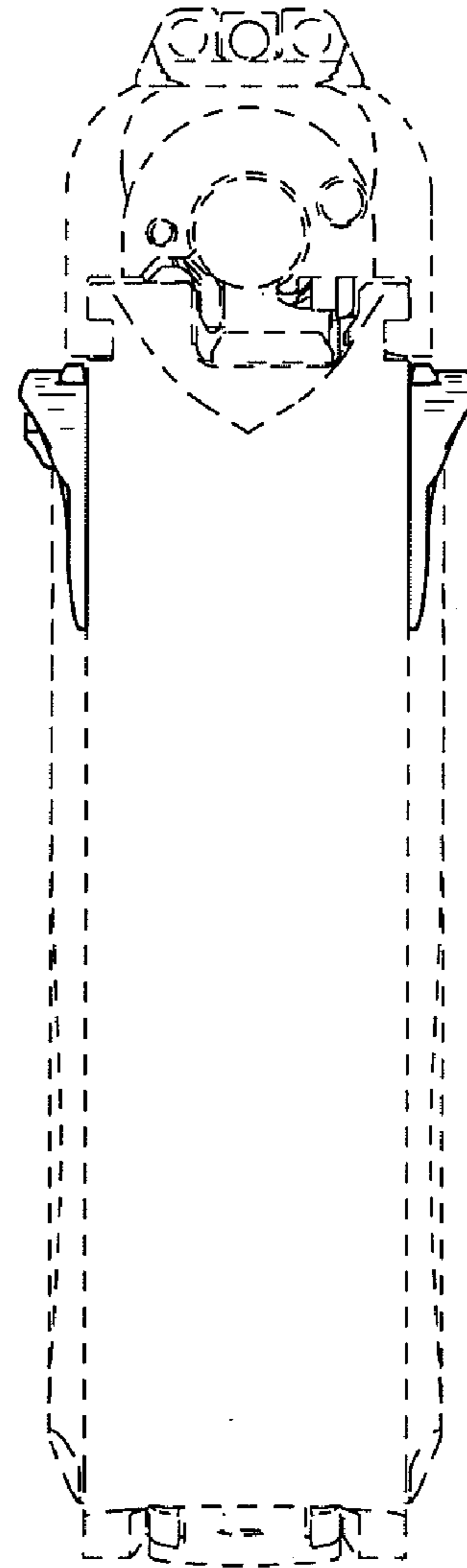


FIG. 4

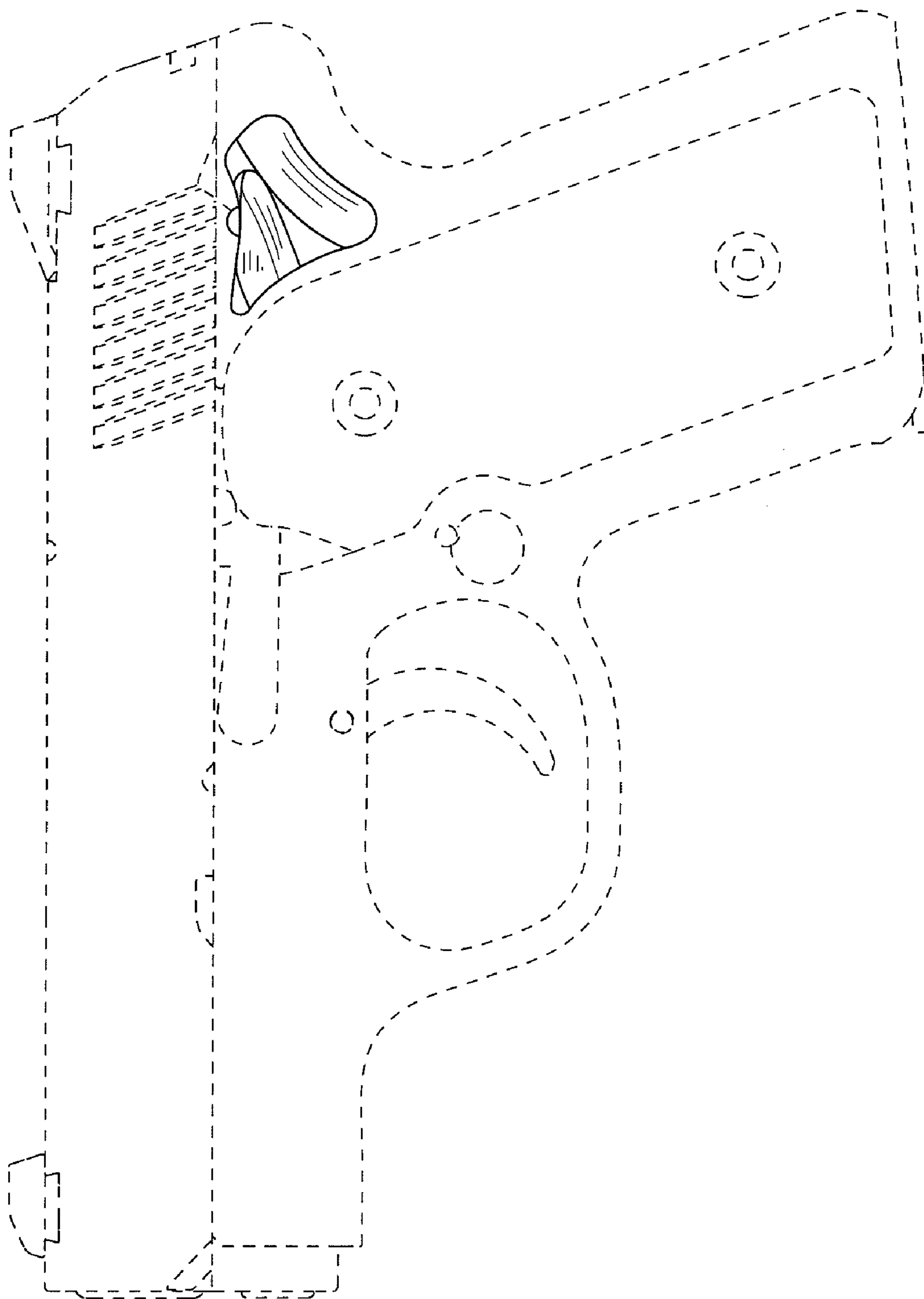


FIG. 5

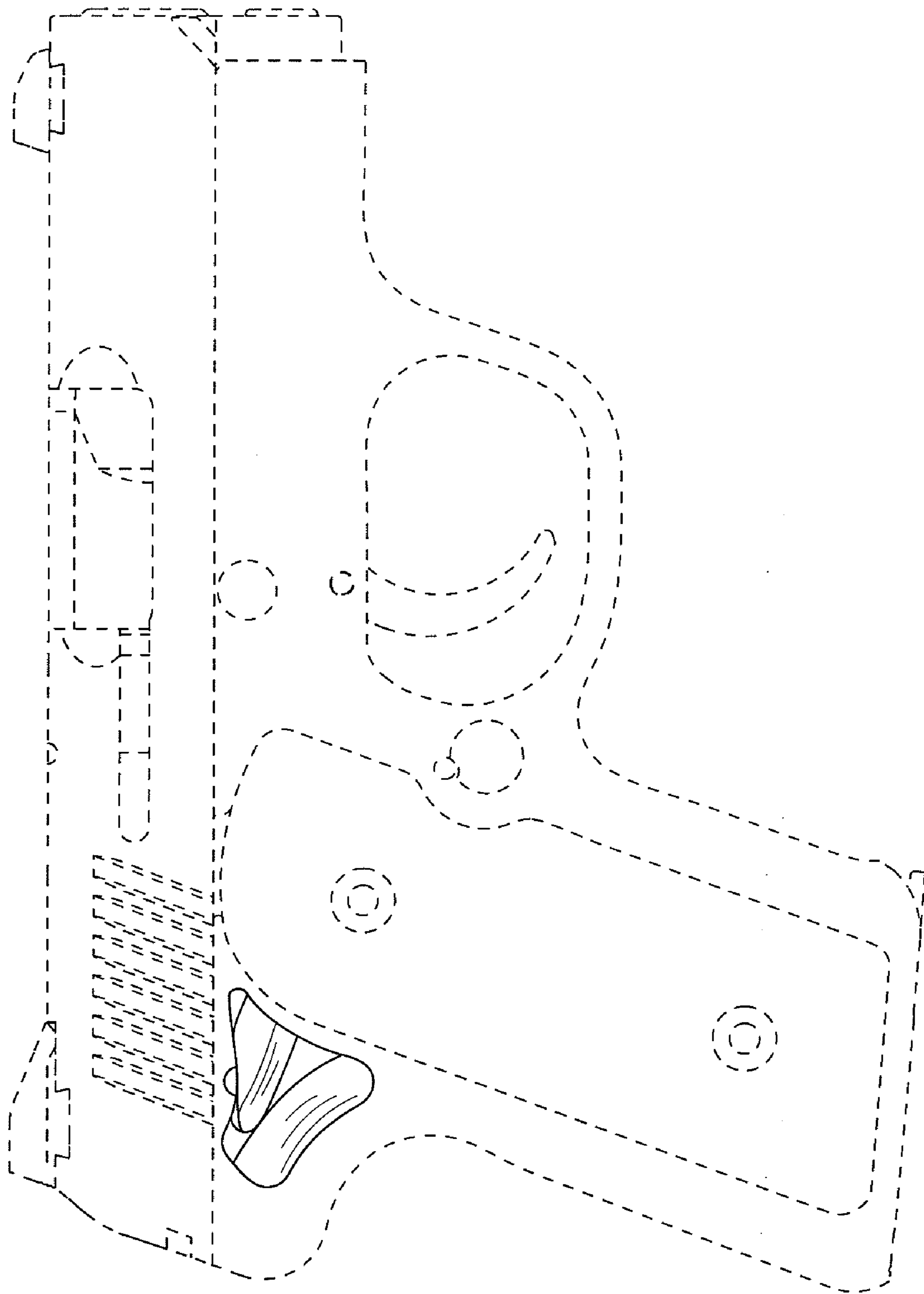


FIG. 6

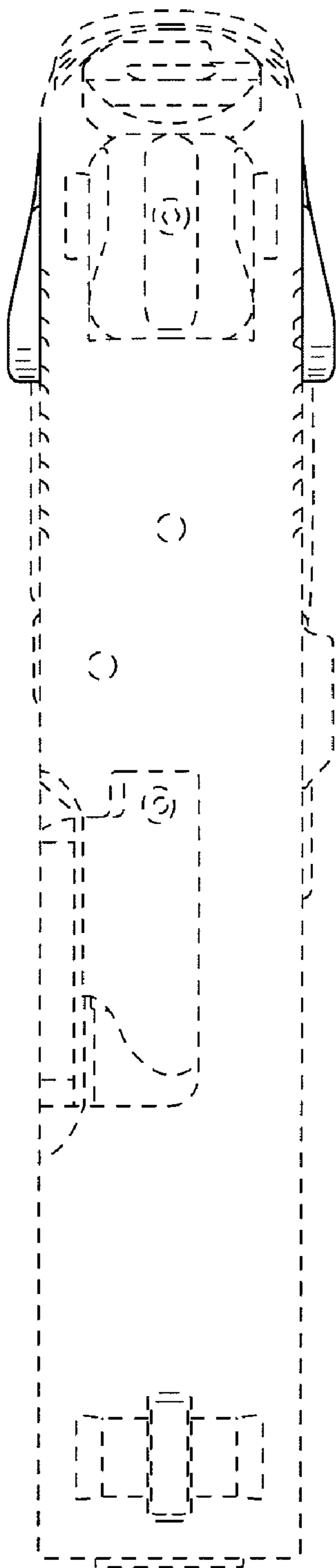


FIG. 7

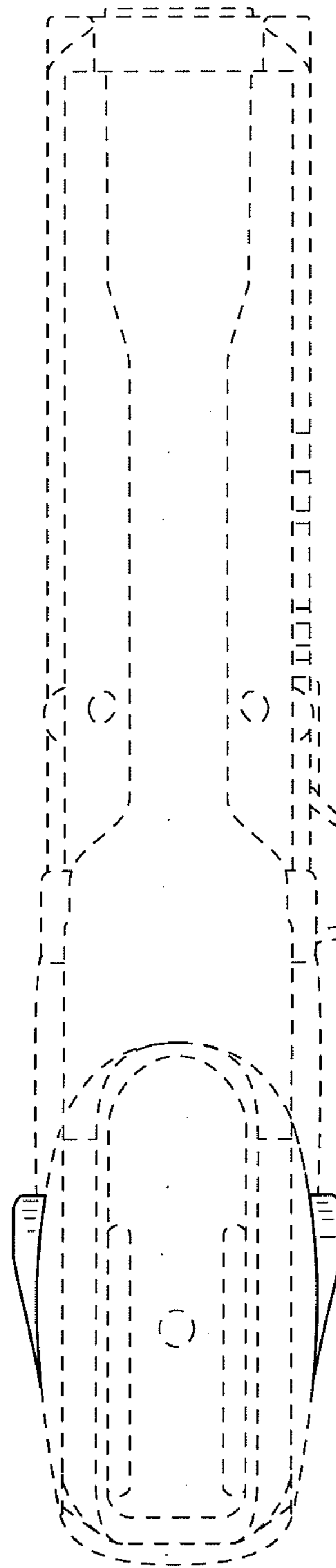


FIG. 8