



US00D657836S

(12) **United States Design Patent**  
**Oldknow et al.**

(10) **Patent No.:** **US D657,836 S**

(45) **Date of Patent:** **\*\* Apr. 17, 2012**

(54) **GOLF CLUB HEAD FOR A PUTTER**

(75) Inventors: **Andrew G. V. Oldknow**, Beaverton, OR (US); **Carl Jonsson**, Portland, OR (US); **Patrick Triato**, Portland, OR (US); **Jason Martin**, Lake Oswego, OR (US)

(73) Assignee: **NIKE, Inc.**, Beaverton, OR (US)

(\*\*) Term: **14 Years**

(21) Appl. No.: **29/409,294**

(22) Filed: **Dec. 21, 2011**

(51) **LOC (9) Cl.** ..... **21-02**

(52) **U.S. Cl.** ..... **D21/759**

(58) **Field of Classification Search** ..... D21/736–746, D21/759; 473/324–331, 340–341, 251–256  
See application file for complete search history.

D565,141 S	3/2008	Oldknow et al.	
D565,142 S	3/2008	Oldknow et al.	
D568,954 S *	5/2008	Oldknow et al.	D21/759
D573,673 S *	7/2008	Noyes	D21/736
D574,908 S *	8/2008	Hettinger et al.	D21/743
D577,398 S *	9/2008	Hilton	D21/744
D582,497 S *	12/2008	Rollinson	D21/744
D589,575 S *	3/2009	Kim et al.	D21/744
D590,461 S *	4/2009	Kim et al.	D21/743
D591,807 S *	5/2009	Rollinson	D21/744
D595,370 S *	6/2009	Ines et al.	D21/736
D595,373 S *	6/2009	Kim et al.	D21/744
D600,295 S	9/2009	Meeks	
D600,759 S	9/2009	Cokewell	
D600,762 S *	9/2009	Serrano et al.	D21/743

(Continued)

**OTHER PUBLICATIONS**

Edwin Watts Golf Catalog, Spring 2010, pp. 18, published Spring 2010.

(Continued)

*Primary Examiner* — Mitchell Siegel

(74) *Attorney, Agent, or Firm* — Banner & Witcoff, Ltd.

(56) **References Cited**

**U.S. PATENT DOCUMENTS**

D359,330 S	6/1995	Channell	
5,580,058 A	12/1996	Coughlin	
D399,274 S	10/1998	Bradford	
D421,471 S	3/2000	Moldovan	
D422,041 S	3/2000	Bradford	
D516,655 S	3/2006	Madore	
D520,584 S	5/2006	Karlsen	
D529,109 S	9/2006	Jones	
D531,242 S	10/2006	Adams	
D532,844 S *	11/2006	Rollinson	D21/736
D532,845 S *	11/2006	Rollinson	D21/736
D534,974 S *	1/2007	Haack	D21/743
D540,897 S	4/2007	Oldknow et al.	
D541,361 S	4/2007	Oldknow et al.	
D541,362 S	4/2007	Oldknow et al.	
D542,869 S	5/2007	Adams	
D546,407 S	7/2007	Oldknow et al.	
D564,607 S	3/2008	Oldknow et al.	
D564,612 S *	3/2008	Oldknow et al.	D21/759
D565,137 S *	3/2008	Oldknow et al.	D21/736

(57) **CLAIM**

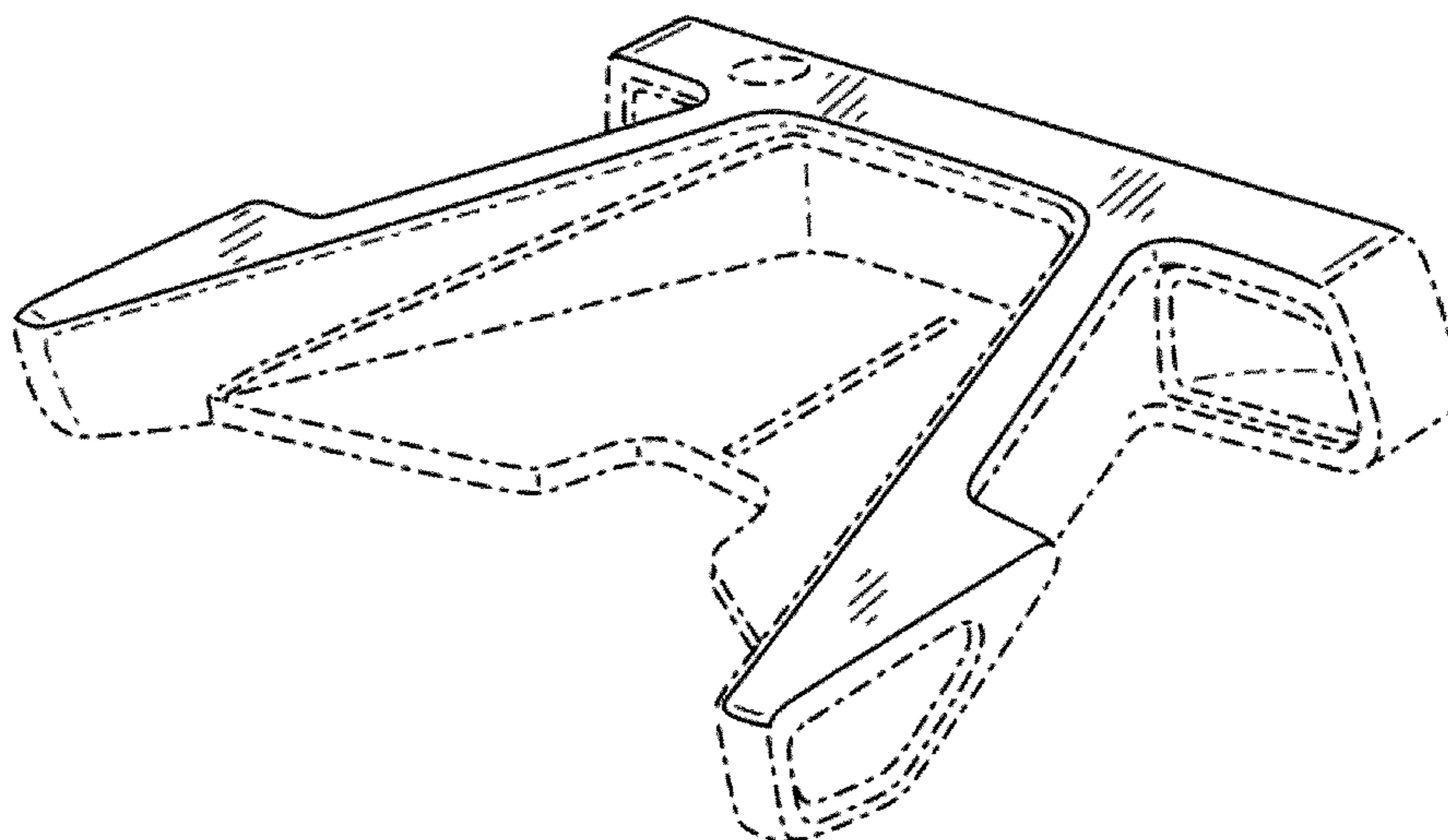
The ornamental design for a golf club head for a putter, as shown and described.

**DESCRIPTION**

FIG. 1 is a perspective view of a golf club head for a putter showing our new design; and, FIG. 2 is a top view thereof.

The broken lines immediately adjacent to the shaded area represent unclaimed boundaries of the design. The broken line circle within the shaded area and the broken lines showing the remainder of the golf club head are for environmental purposes only and form no part of the claimed design.

**1 Claim, 1 Drawing Sheet**



# US D657,836 S

Page 2

## U.S. PATENT DOCUMENTS

D604,787 S 11/2009 Hopkins  
D606,139 S \* 12/2009 Ines et al. .... D21/736  
D607,952 S \* 1/2010 Demkowski et al. .... D21/743  
D619,666 S 7/2010 DePaul  
D621,458 S \* 8/2010 Serrano et al. .... D21/736  
D621,460 S 8/2010 Serrano et al.  
D627,840 S 11/2010 Cameron  
7,828,675 B2 11/2010 Hilton  
D633,970 S \* 3/2011 Cardani ..... D21/759  
D636,829 S \* 4/2011 Cardani ..... D21/759  
D636,830 S \* 4/2011 Cardani ..... D21/759  
D638,891 S \* 5/2011 Nicolette et al. .... D21/736  
D643,485 S \* 8/2011 Nicolette et al. .... D21/736  
2007/0191135 A1 8/2007 Nilsson et al.  
2008/0194352 A1 8/2008 Cokewell

2009/0305807 A1 12/2009 Solheim et al.  
2010/0167836 A1 7/2010 Horii et al.  
2011/0111884 A1 5/2011 Franklin et al.

## OTHER PUBLICATIONS

Edwin Watts Golf Catalog, Late Spring 2010, pp. 14, published Late Spring 2010.

Nike Unitized Arrow Putter, announcement date unknown, but prior to filing [online], [site visited Oct. 2011]. Available from Internet, <URL: <http://www.edwinwattsgolf.com>>.

Ping Sydney Putter, announcement date unknown, but prior to filing [online], [site visited Oct. 2011]. Available from Internet, <URL: <http://www.edwinwattsgolf.com>>.

\* cited by examiner

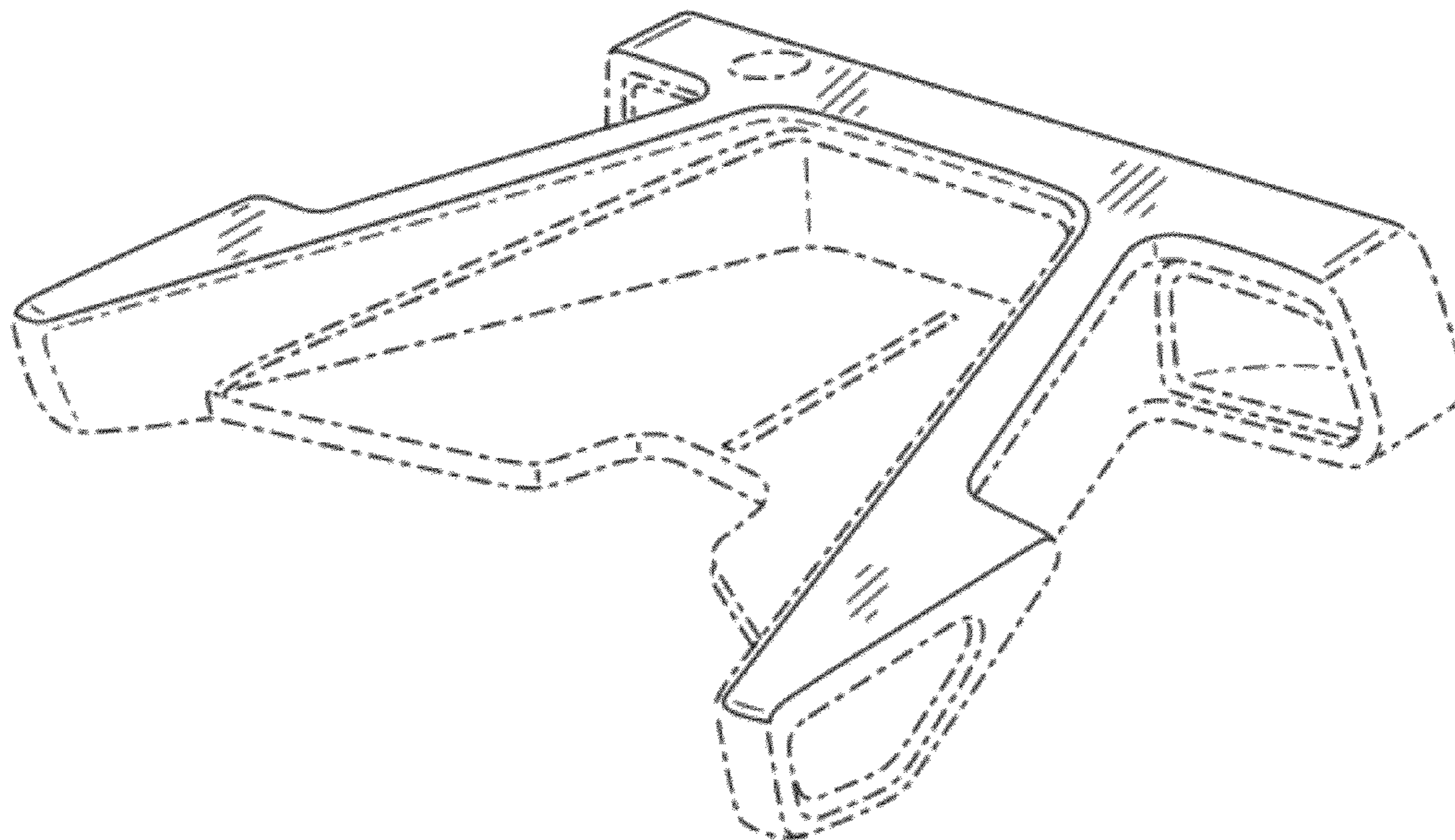


FIG. 1

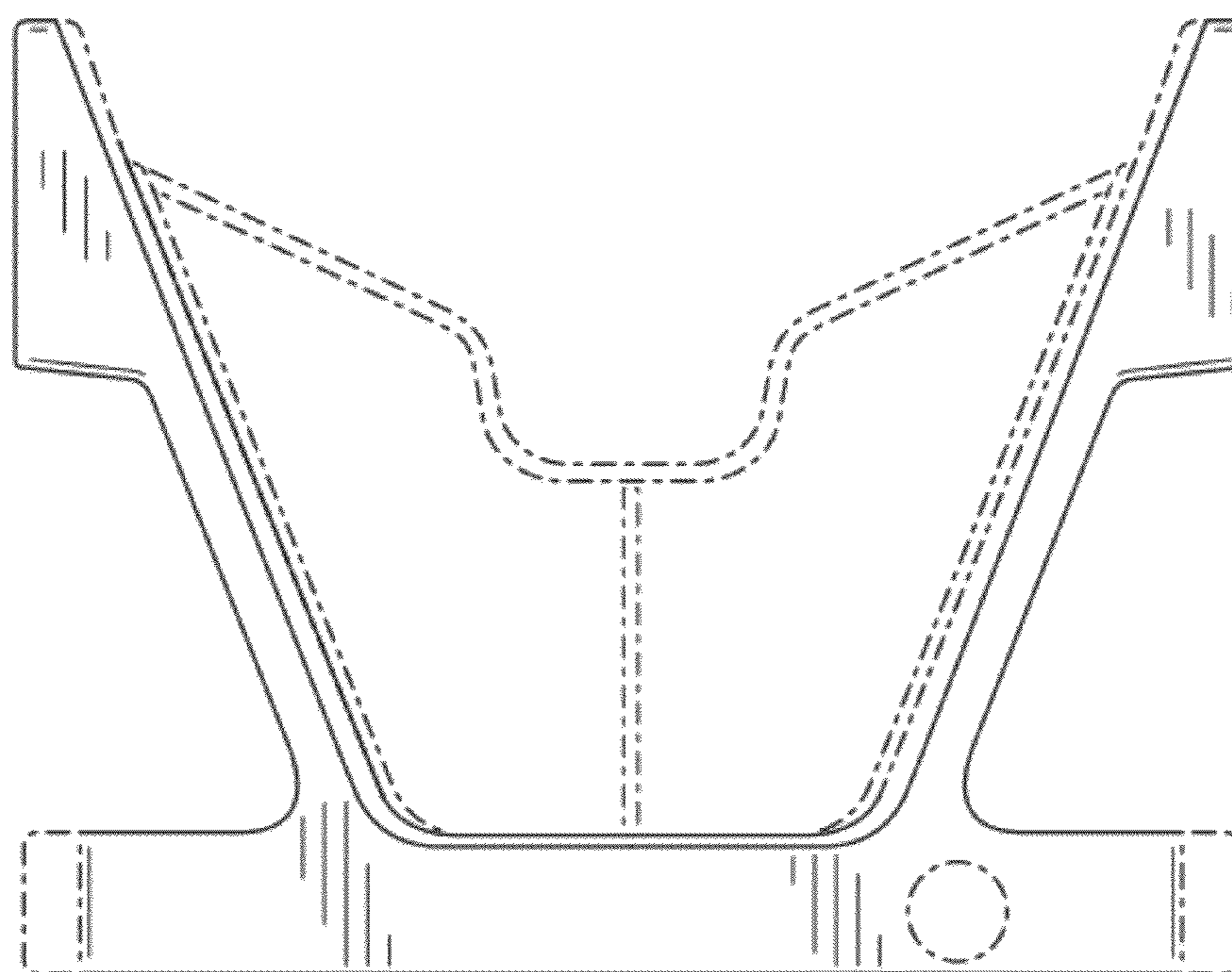


FIG. 2