



US00D657831S

(12) **United States Design Patent**  
**Kurpat**

(10) **Patent No.:** **US D657,831 S**

(45) **Date of Patent:** **\*\* Apr. 17, 2012**

(54) **LIGHTED DUMBBELL**

(76) **Inventor:** **Kenneth Kurpat**, Effort, PA (US)

(\*\*) **Term:** **14 Years**

(21) **Appl. No.:** **29/397,390**

(22) **Filed:** **Jul. 15, 2011**

(51) **LOC (9) Cl.** ..... **21-02**

(52) **U.S. Cl.** ..... **D21/680; D21/679; D21/662**

(58) **Field of Classification Search** ..... D21/662,  
D21/679-681, 686, 691-692, 694, 797-798;  
482/33, 44-47, 49-51, 55, 91, 93, 104-106,  
482/108-109, 113, 121, 123, 126-127, 139,  
482/141, 148; D26/24, 37, 38

See application file for complete search history.

(56) **References Cited**

**U.S. PATENT DOCUMENTS**

|           |     |         |             |       |         |
|-----------|-----|---------|-------------|-------|---------|
| 1,385,642 | A * | 7/1921  | Restein     | ..... | 482/108 |
| 1,714,391 | A * | 5/1929  | McWhirter   | ..... | 482/148 |
| 1,749,632 | A * | 3/1930  | Ferris      | ..... | 606/234 |
| 3,132,861 | A * | 5/1964  | Horney      | ..... | 482/46  |
| 3,637,205 | A * | 1/1972  | Bankston    | ..... | 482/114 |
| D268,442  | S * | 3/1983  | Darmon      | ..... | D26/24  |
| D272,649  | S * | 2/1984  | Bloch       | ..... | D24/211 |
| 5,441,471 | A * | 8/1995  | Passer      | ..... | 482/106 |
| D388,202  | S * | 12/1997 | Shiau       | ..... | D26/37  |
| D391,653  | S * | 3/1998  | Ford et al. | ..... | D26/37  |
| D394,321  | S * | 5/1998  | Chiu        | ..... | D26/37  |
| 6,059,700 | A * | 5/2000  | Ellenburg   | ..... | 482/107 |
| 6,071,214 | A * | 6/2000  | Osterman    | ..... | 482/44  |
| D428,488  | S * | 7/2000  | Bloch       | ..... | D24/141 |

|          |     |        |               |       |         |
|----------|-----|--------|---------------|-------|---------|
| D429,831 | S * | 8/2000 | Ting          | ..... | D26/37  |
| D518,122 | S * | 3/2006 | Reilly        | ..... | D21/679 |
| D520,576 | S * | 5/2006 | Sonnon et al. | ..... | D21/680 |
| D622,327 | S * | 8/2010 | Roos et al.   | ..... | D21/398 |

\* cited by examiner

*Primary Examiner* — Susan E Krakower

(74) *Attorney, Agent, or Firm* — Baker & Rannells, PA

(57) **CLAIM**

I claim the ornamental design for a lighted dumbbell, as shown and described.

**DESCRIPTION**

FIG. 1 is a perspective view of a lighted dumbbell showing my new design in an on position;

FIG. 2 is a perspective, exploded view thereof showing the interior weighted elements of my new design.

FIG. 3 is a right side elevational view thereof, a left side elevational view being a mirror image thereof;

FIG. 4 is a front elevational view thereof, a rear elevational view being a mirror image thereof;

FIG. 5 is a top plan view thereof;

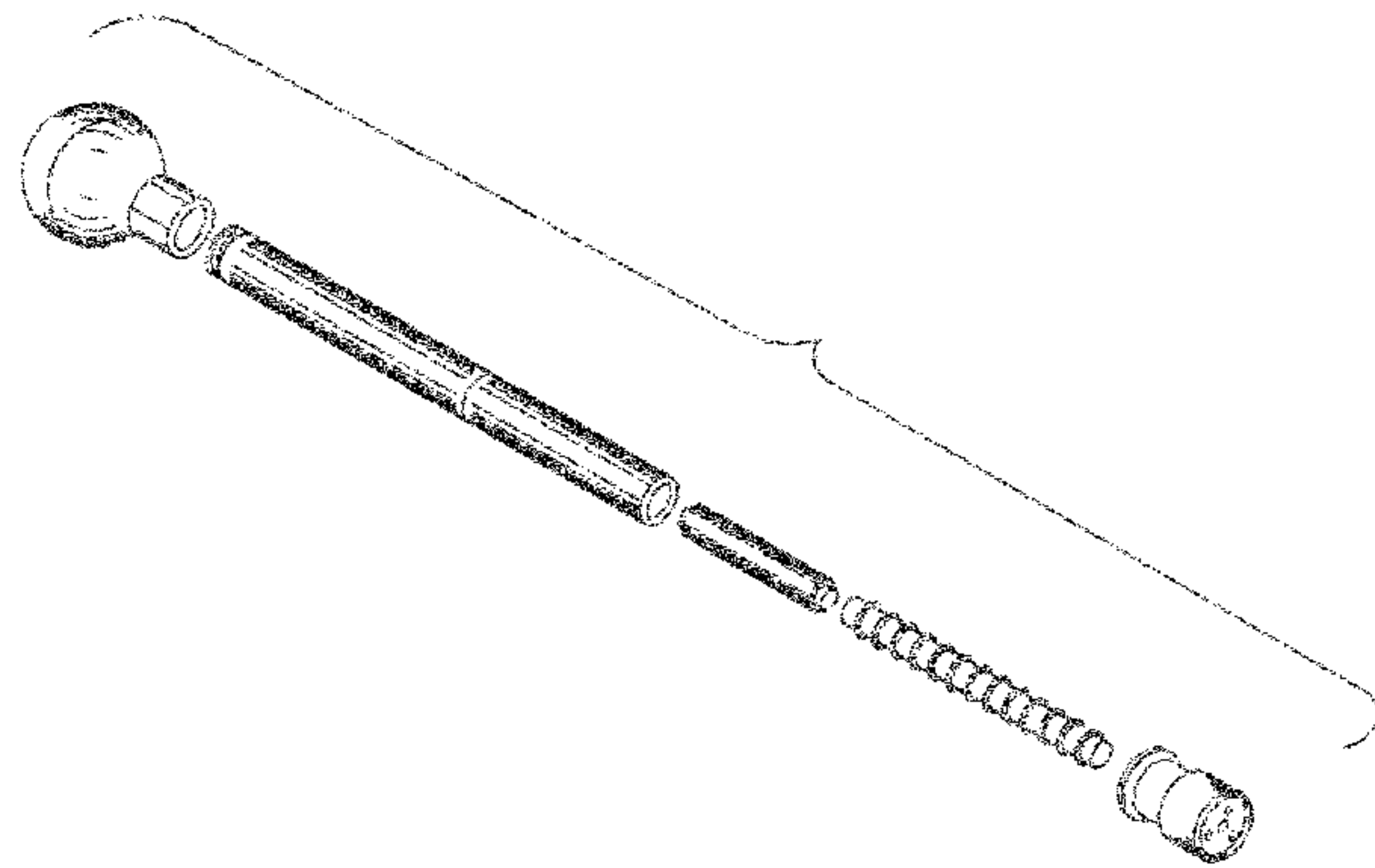
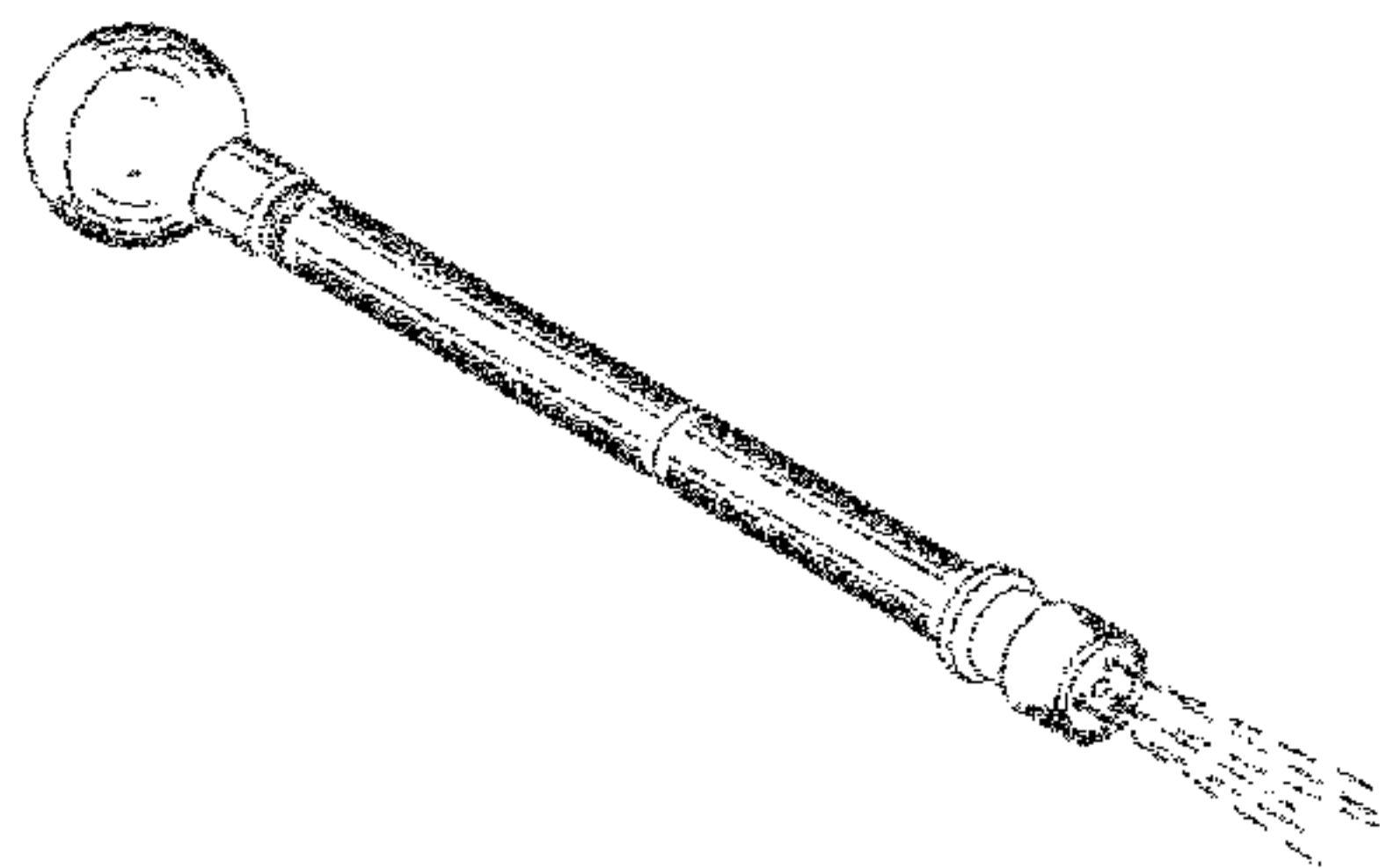
FIG. 6 is a bottom plan view thereof;

FIG. 7 is a front elevational view of the first weighted element of my new design; and,

FIG. 8 is a front elevational view of the second weighted element of my new design.

The broken-line disclosure in the views represents portions of the article in which the claimed design is embodied, but which form no part of the claimed design.

**1 Claim, 3 Drawing Sheets**



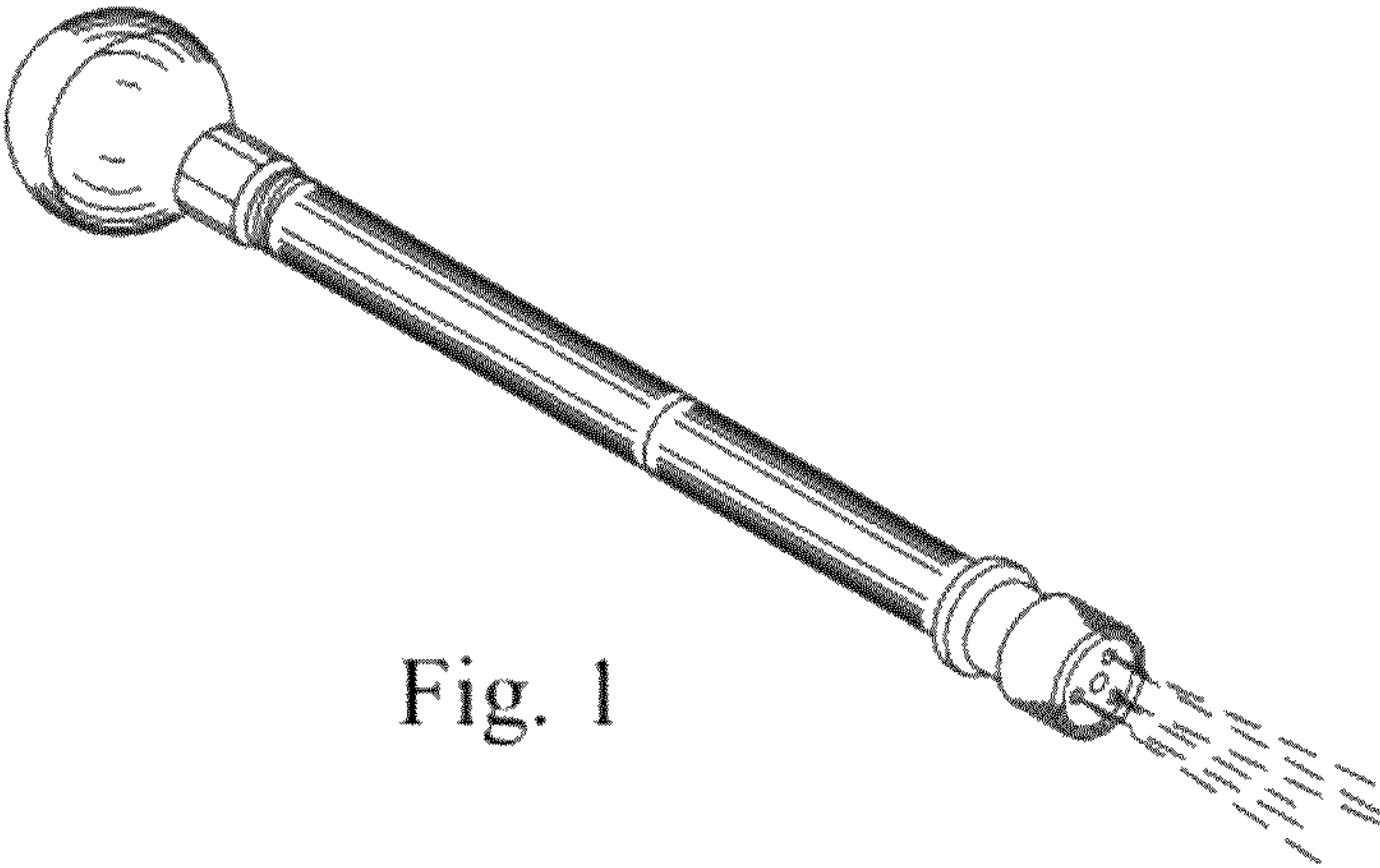


Fig. 1

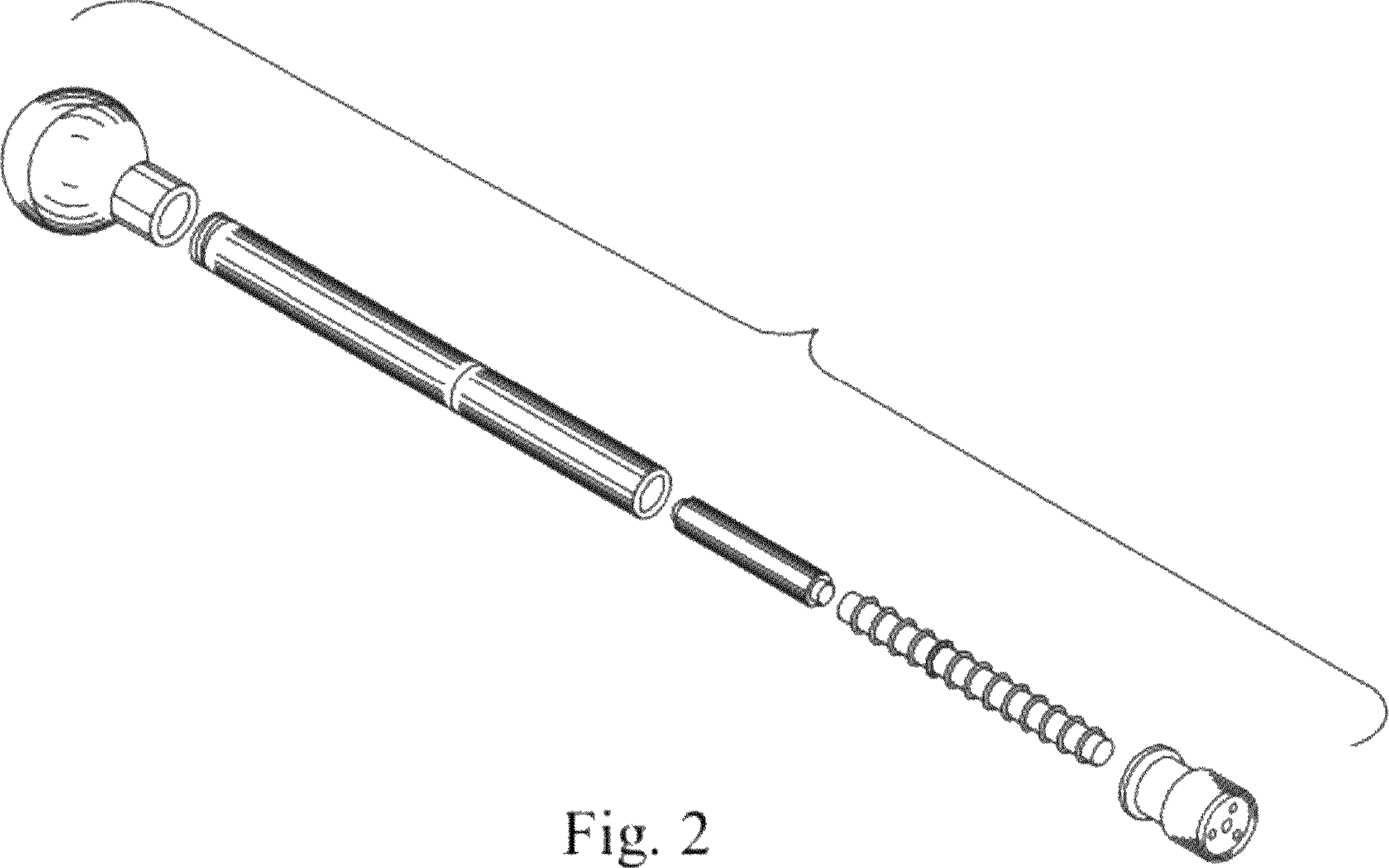


Fig. 2

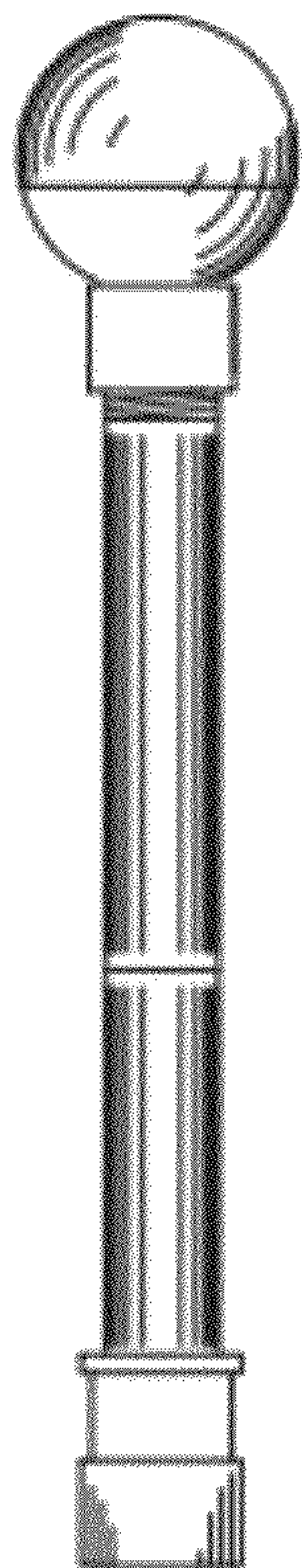


Fig. 3

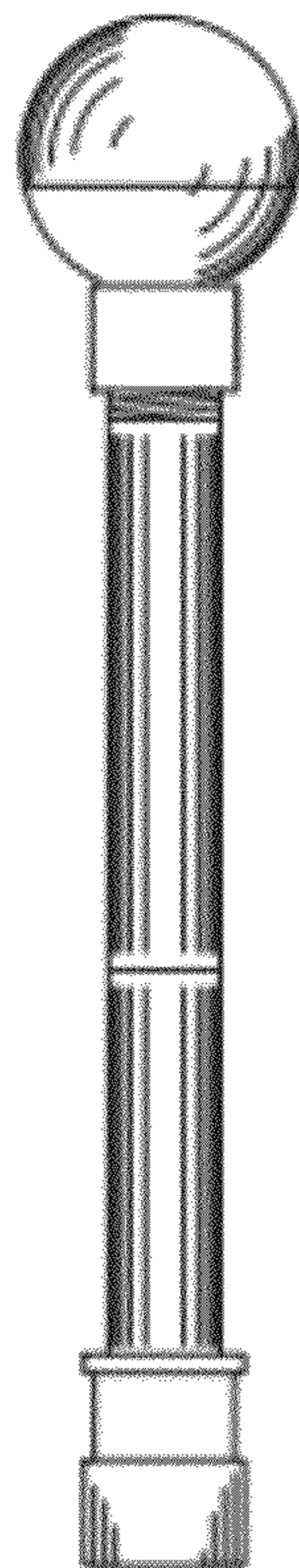


Fig. 4



Fig. 5

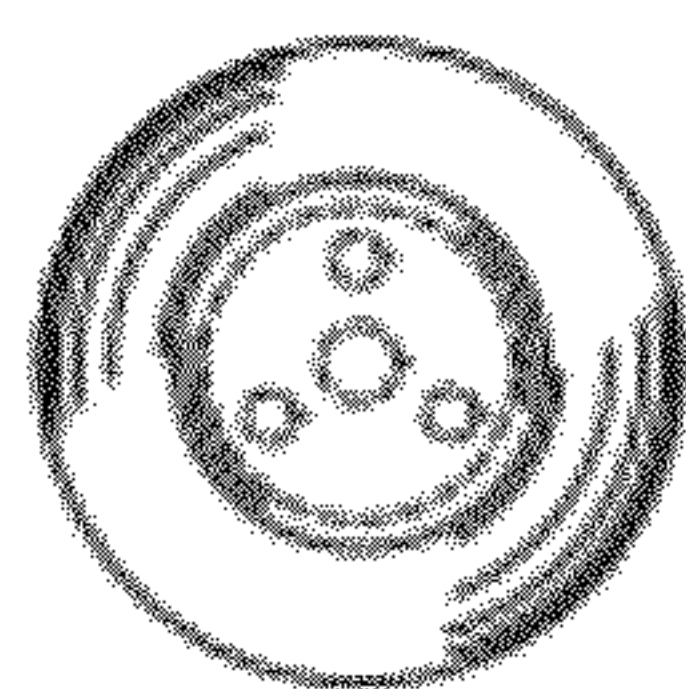


Fig. 6



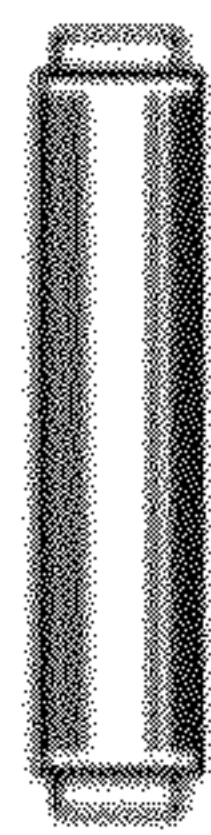


Fig. 7



Fig. 8