



US00D657829S

(12) **United States Design Patent**  
**Gettings et al.**

(10) **Patent No.:** **US D657,829 S**

(45) **Date of Patent:** **\*\* Apr. 17, 2012**

(54) **WHEEL FACE**

(75) Inventors: **Adam M. Gettings**, Menlo Park, CA  
(US); **Steven J. Shiozaki**, Belmont, CA  
(US)

(73) Assignee: **RoboteX Inc.**, Palo Alto, CA (US)

(\*\*) Term: **14 Years**

(21) Appl. No.: **29/387,224**

(22) Filed: **Mar. 10, 2011**

(51) **LOC (9) Cl.** ..... **21-01**

(52) **U.S. Cl.** ..... **D21/578**; D15/199

(58) **Field of Classification Search** ..... D21/578-583,  
D21/621, 622; 446/268-274, 279, 280, 285,  
446/289-292, 294, 297-303, 353-355, 376-384;  
D15/199; 318/568.11, 568.12, 568.2; D12/204;  
301/37.101, 64.101, 65

See application file for complete search history.

(56) **References Cited**

U.S. PATENT DOCUMENTS

D401,204 S \* 11/1998 Al-Sabah ..... D12/204  
D471,243 S \* 3/2003 Cioffi et al. .... D21/578

D476,937 S \* 7/2003 Brintouch ..... D12/204  
D528,491 S \* 9/2006 Wang Hsiao ..... D12/204  
D541,201 S \* 4/2007 Bowden ..... D12/204  
D545,721 S \* 7/2007 Hacker et al. .... D12/1  
D561,796 S \* 2/2008 Mitchell ..... D15/199  
D626,577 S \* 11/2010 Carlson et al. .... D15/199  
D639,351 S \* 6/2011 Newmayer et al. .... D21/533  
2005/0162117 A1\* 7/2005 Iribe et al. .... 318/568.12

\* cited by examiner

*Primary Examiner* — Zenia Bennett

(74) *Attorney, Agent, or Firm* — Levine Bagade Han LLP

(57) **CLAIM**

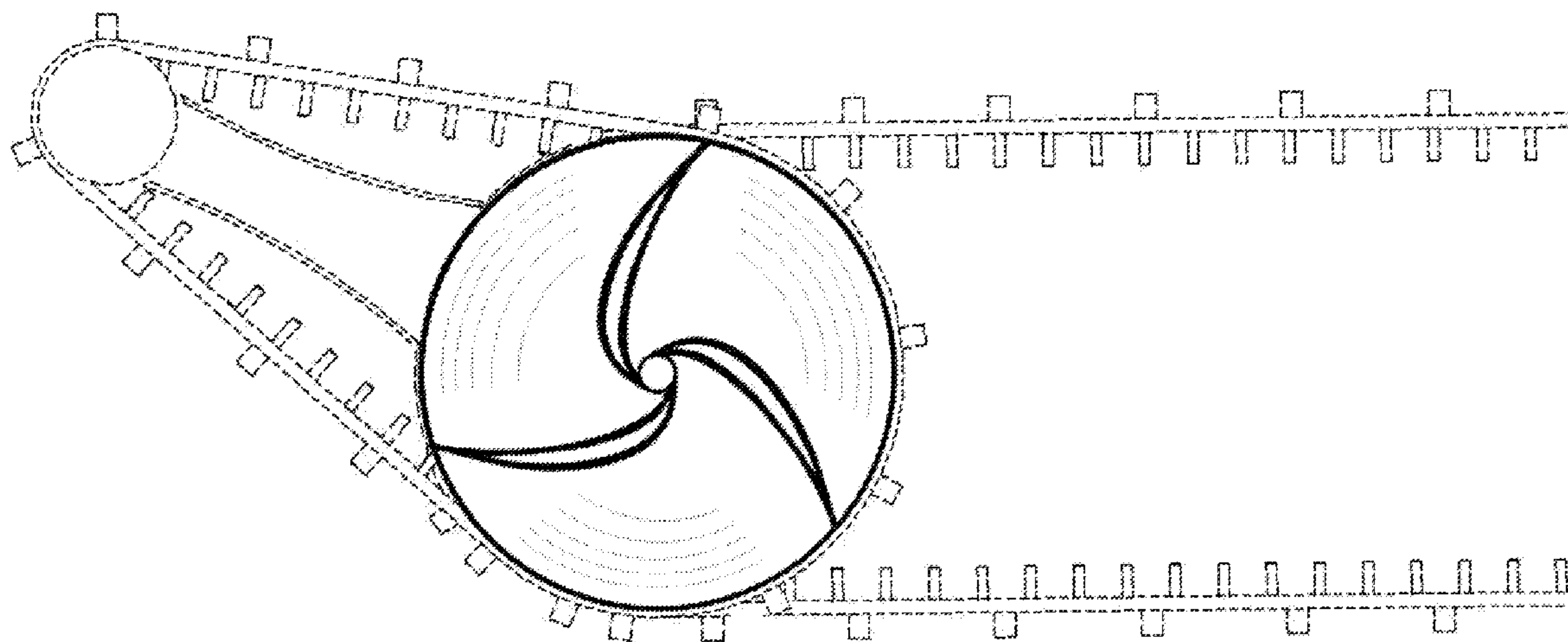
The ornamental design for a wheel face, as shown and described.

**DESCRIPTION**

FIG. 1 is a front view of a wheel face;  
FIG. 2 is an angled side perspective view thereof  
FIG. 3 is an angled top perspective view thereof;  
FIG. 4 is an angled bottom perspective view thereof;  
FIG. 5 is a top perspective view thereof; and,  
FIG. 6 is a side elevation view thereof.

All features illustrated in phantom line are expressly disclaimed and form no part of the claimed design.

**1 Claim, 6 Drawing Sheets**



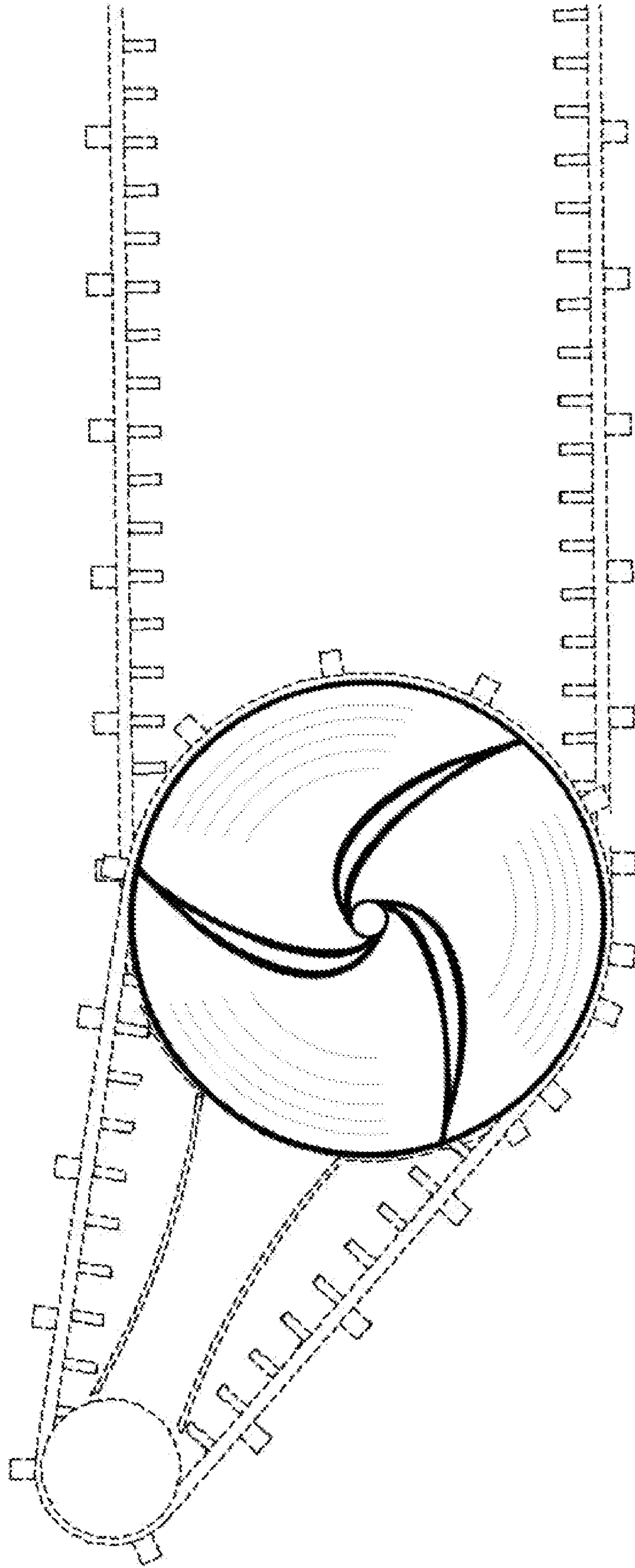


Fig. 1

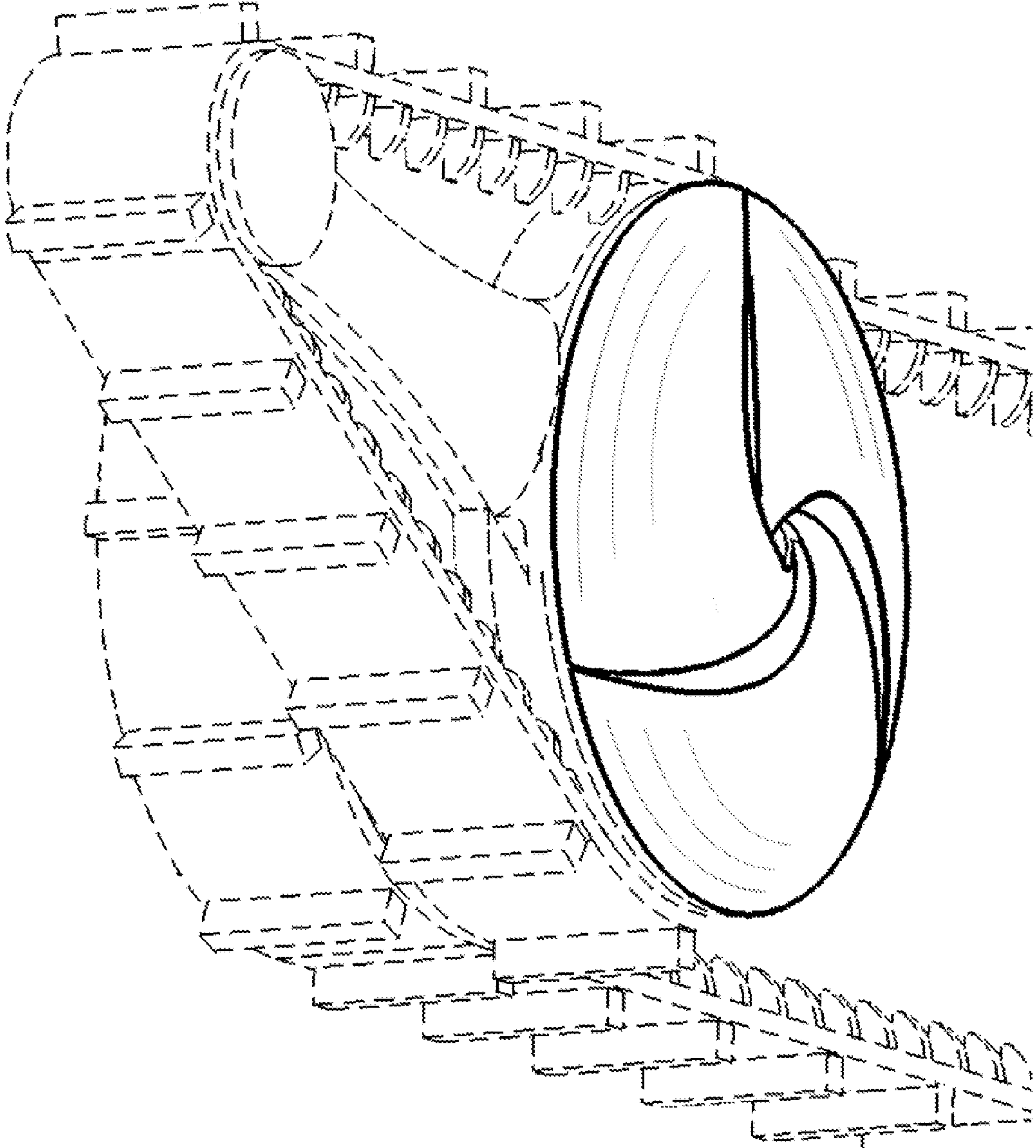


Fig. 2



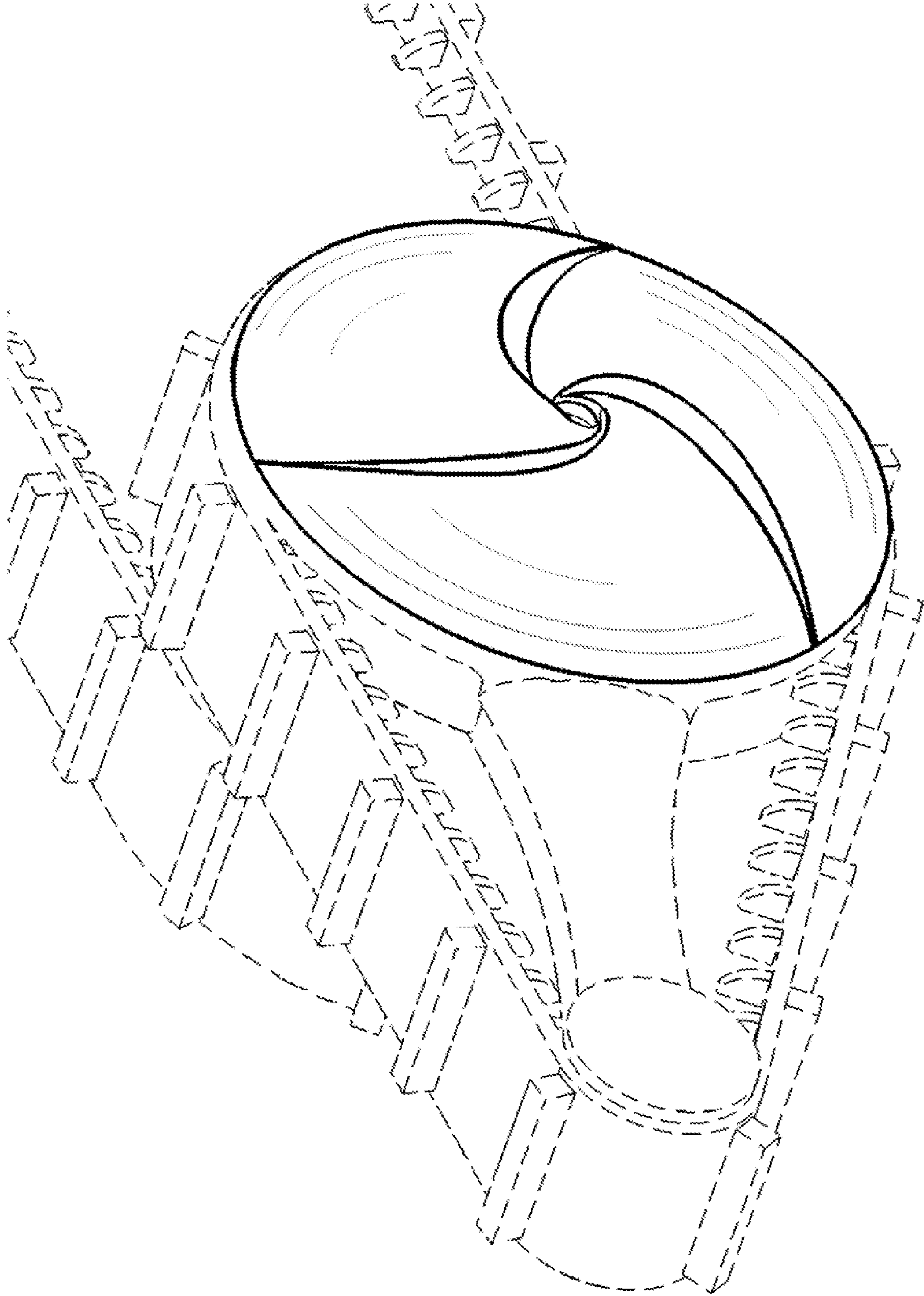


Fig. 3

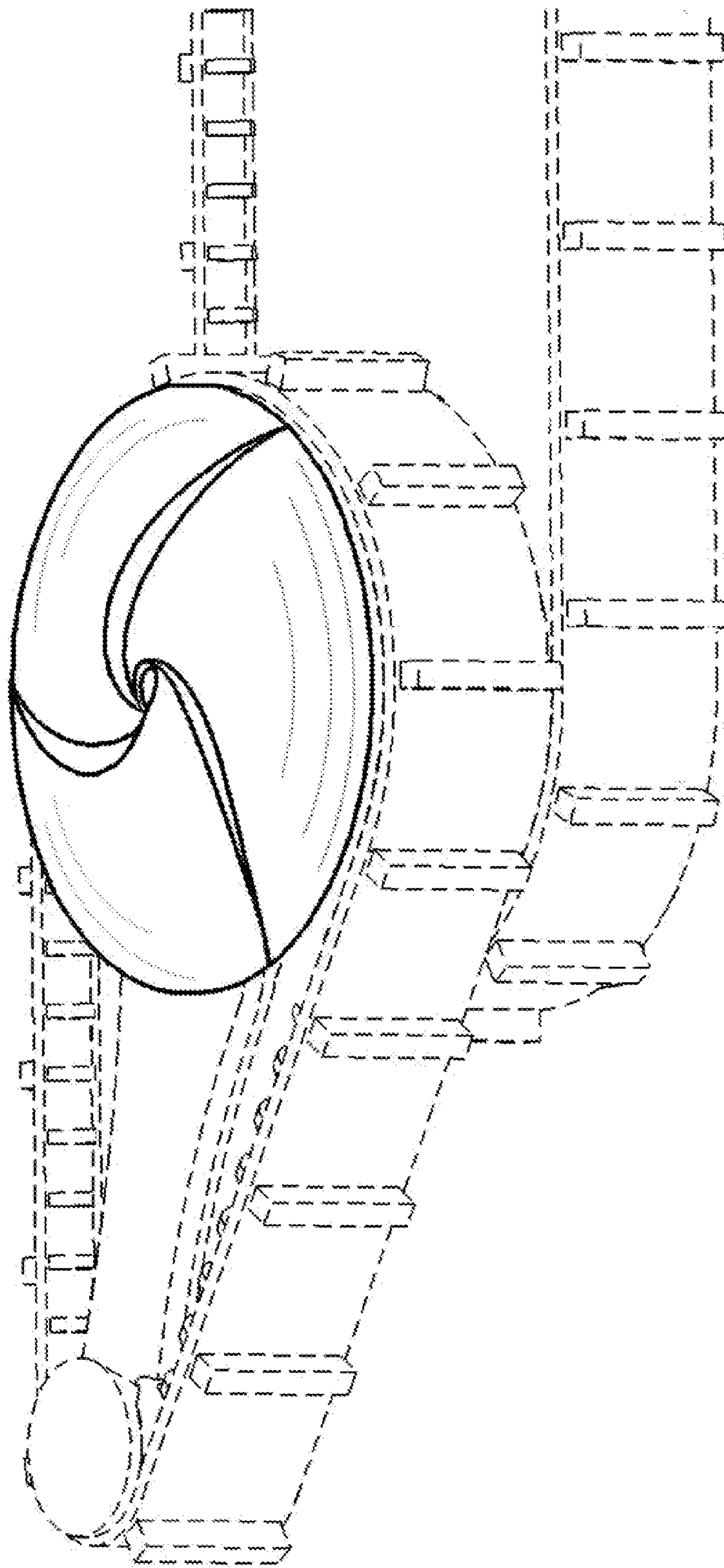


Fig. 4

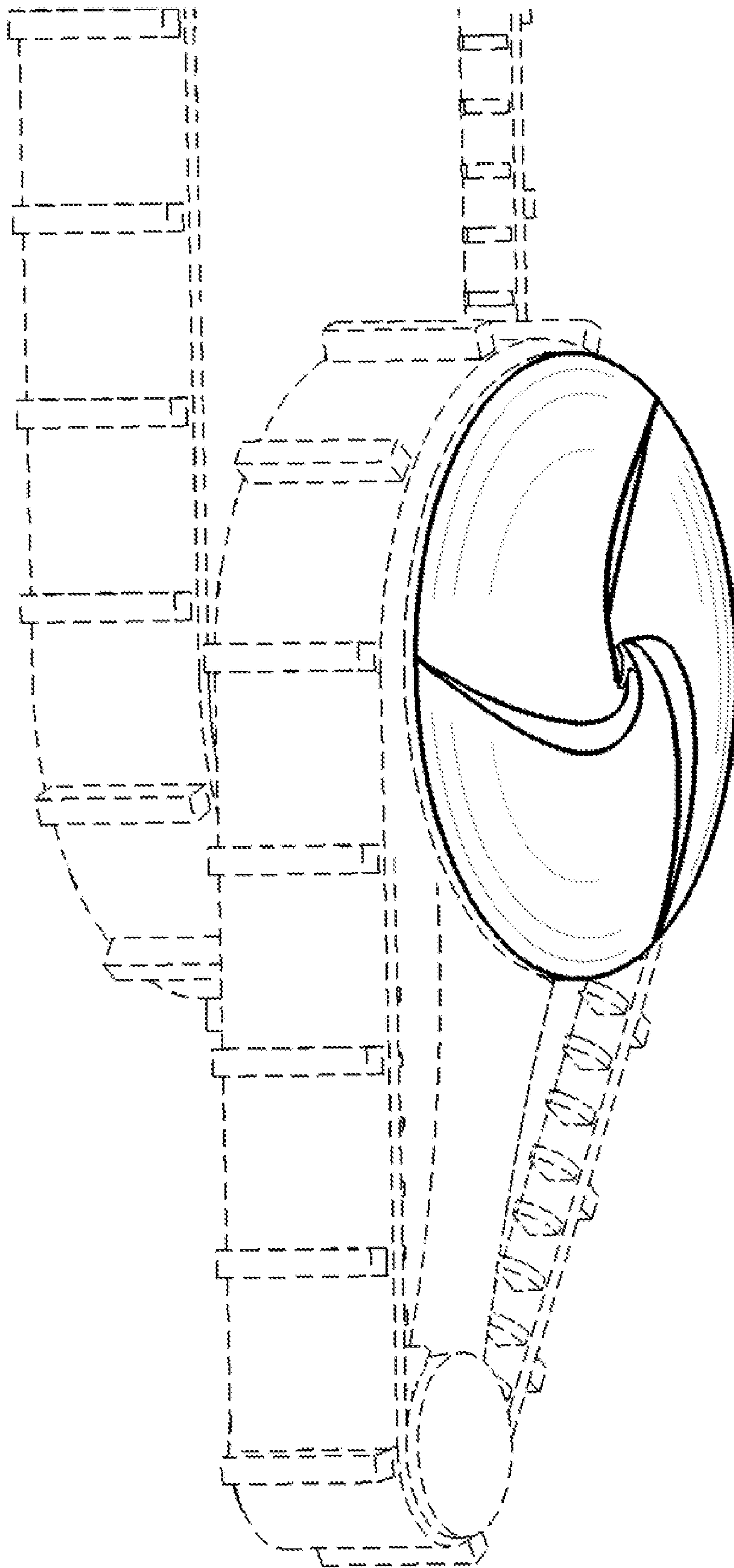


Fig. 5

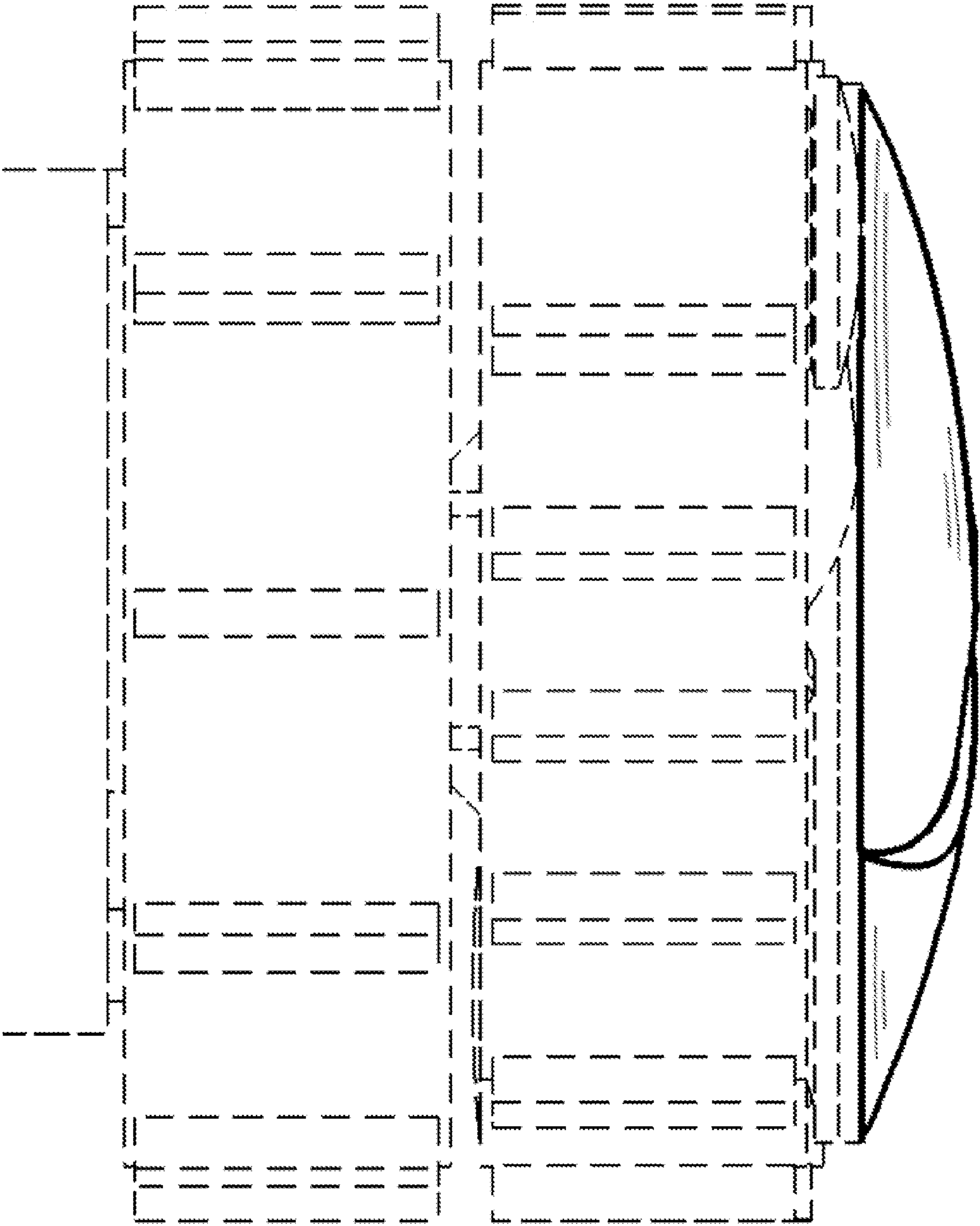


Fig. 6

UNITED STATES PATENT AND TRADEMARK OFFICE  
**CERTIFICATE OF CORRECTION**

PATENT NO. : D657,829 S  
APPLICATION NO. : 29/387224  
DATED : April 17, 2012  
INVENTOR(S) : Adam M. Gettings et al.

Page 1 of 2

It is certified that error appears in the above-identified patent and that said Letters Patent is hereby corrected as shown below:

In the Drawings

Please replace sheet 2 of 6 consisting of FIG. 2 with the attached replacement sheet.

Signed and Sealed this  
Thirteenth Day of May, 2014



Michelle K. Lee  
*Deputy Director of the United States Patent and Trademark Office*



