



US00D657828S

(12) **United States Design Patent**  
**Arnold et al.**

(10) **Patent No.:** **US D657,828 S**  
(45) **Date of Patent:** **\*\* Apr. 17, 2012**

(54) **STRING OF BLOCKS**

(76) Inventors: **Julia A. Arnold**, Columbia, IL (US);  
**Patrick S. Arnold**, Columbia, IL (US)

(\*\*) Term: **14 Years**

(21) Appl. No.: **29/354,959**

(22) Filed: **Feb. 1, 2010**

(51) **LOC (9) Cl.** ..... **21-01**

(52) **U.S. Cl.** ..... **D21/500; D21/471**

(58) **Field of Classification Search** ..... D21/465,  
D21/467, 468, 471, 478-480, 484, 491, 493,  
D21/500, 501; D11/200-241, 1-87, 93,  
D11/94, 119, 141; D6/301; D26/25; D18/24,  
D18/29; D19/59, 62, 64; 446/85-128; 63/1.1,  
63/1.14-1.18, 3, 4, 21, 23, 39; 434/96, 159,  
434/167, 171, 172, 386, 393, 403, 406; 40/5,  
40/633, 640, 661.06, 661.07, 447, 605, 623,  
40/729; 59/80, 82, 84-95

See application file for complete search history.

(56) **References Cited**

U.S. PATENT DOCUMENTS

409,744	A *	8/1889	Garben	.....	446/104
853,756	A *	5/1907	Betis	.....	434/402
979,707	A *	12/1910	Rozell	.....	40/5
1,241,009	A *	9/1917	Panjeau	.....	434/172
D123,719	S *	11/1940	Ungar	.....	D11/16
2,322,461	A *	6/1943	Mariano	.....	63/3
D141,737	S *	7/1945	Gilbert et al.	.....	D21/536
2,510,884	A *	6/1950	Greene	.....	446/8
2,972,833	A *	2/1961	La Grutta	.....	446/121

2,996,832	A *	8/1961	Rubin	.....	446/111
3,423,093	A *	1/1969	Noam	.....	273/282.1
3,845,618	A *	11/1974	Meyerson	.....	59/80
D233,874	S *	12/1974	Ashley	.....	D6/301
5,238,231	A *	8/1993	Huang	.....	267/35
7,503,187	B2 *	3/2009	Richardson	.....	63/38
7,966,756	B1 *	6/2011	Stafford	.....	40/544
2011/0027763	A1 *	2/2011	Tramm	.....	434/172

\* cited by examiner

*Primary Examiner* — Catherine Tuttle

(74) *Attorney, Agent, or Firm* — Grace J. Fishel

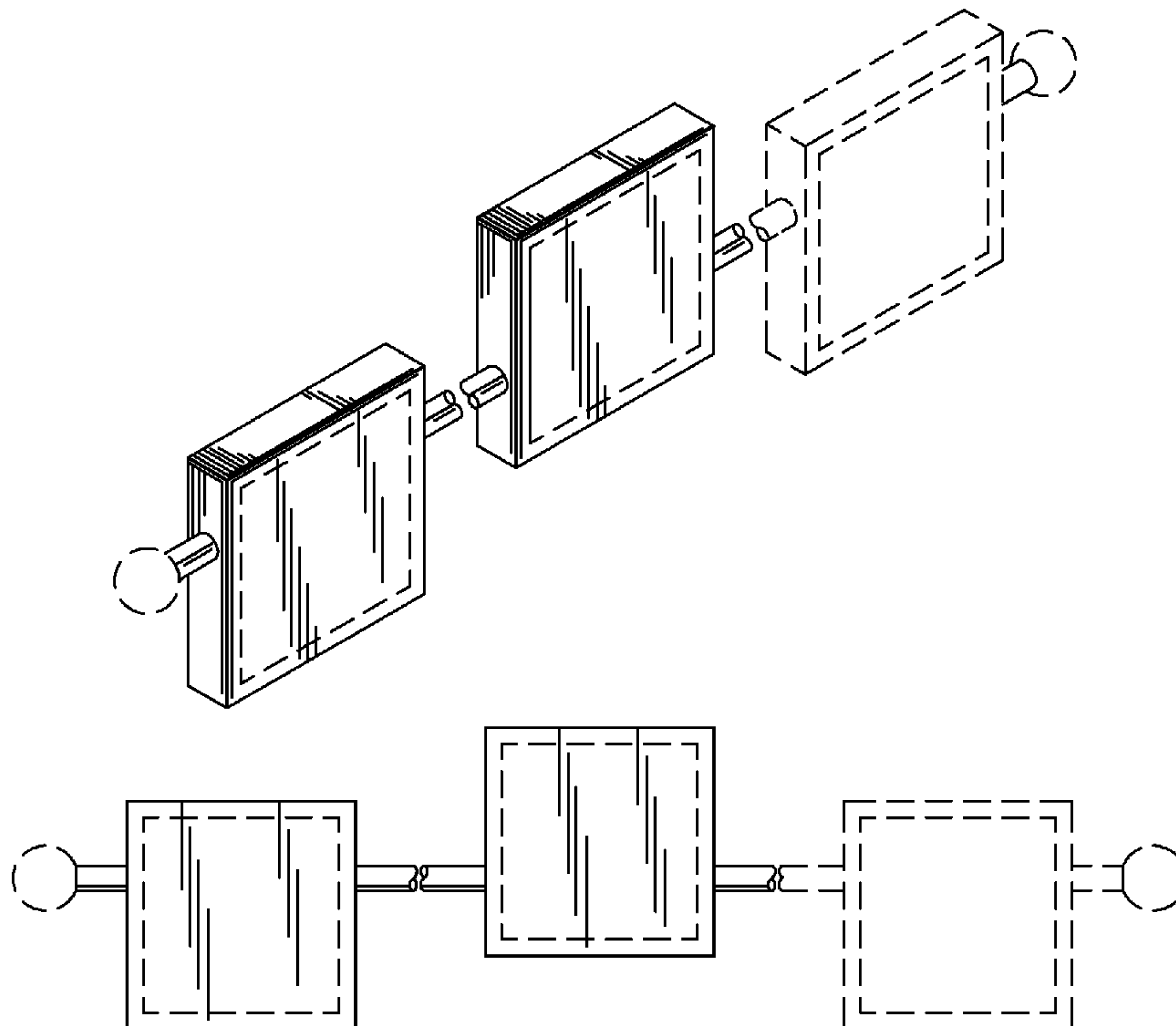
(57) **CLAIM**

The ornamental design for a string of blocks, as shown and described.

**DESCRIPTION**

FIG. 1 is a perspective view of a string of blocks showing our new design with the blocks in a first orientation;  
 FIG. 2 is a front elevational view thereof, the rear being the same;  
 FIG. 3 is a top view thereof, the bottom view being the same;  
 FIG. 4 is a left end view thereof;  
 FIG. 5 is an right end view thereof when there is an even number of blocks; and,  
 FIG. 6 is a front elevational view like FIG. 2 showing the string of blocks mounted vertically.  
 The broken lines showing the finials in FIGS. 1-6, a third block in FIGS. 1-3 and 6, square surface detail in FIGS. 1, 2 and 6 and mounting block in FIG. 6 are for illustrative purposes only and form no part of the claimed design.

**1 Claim, 2 Drawing Sheets**



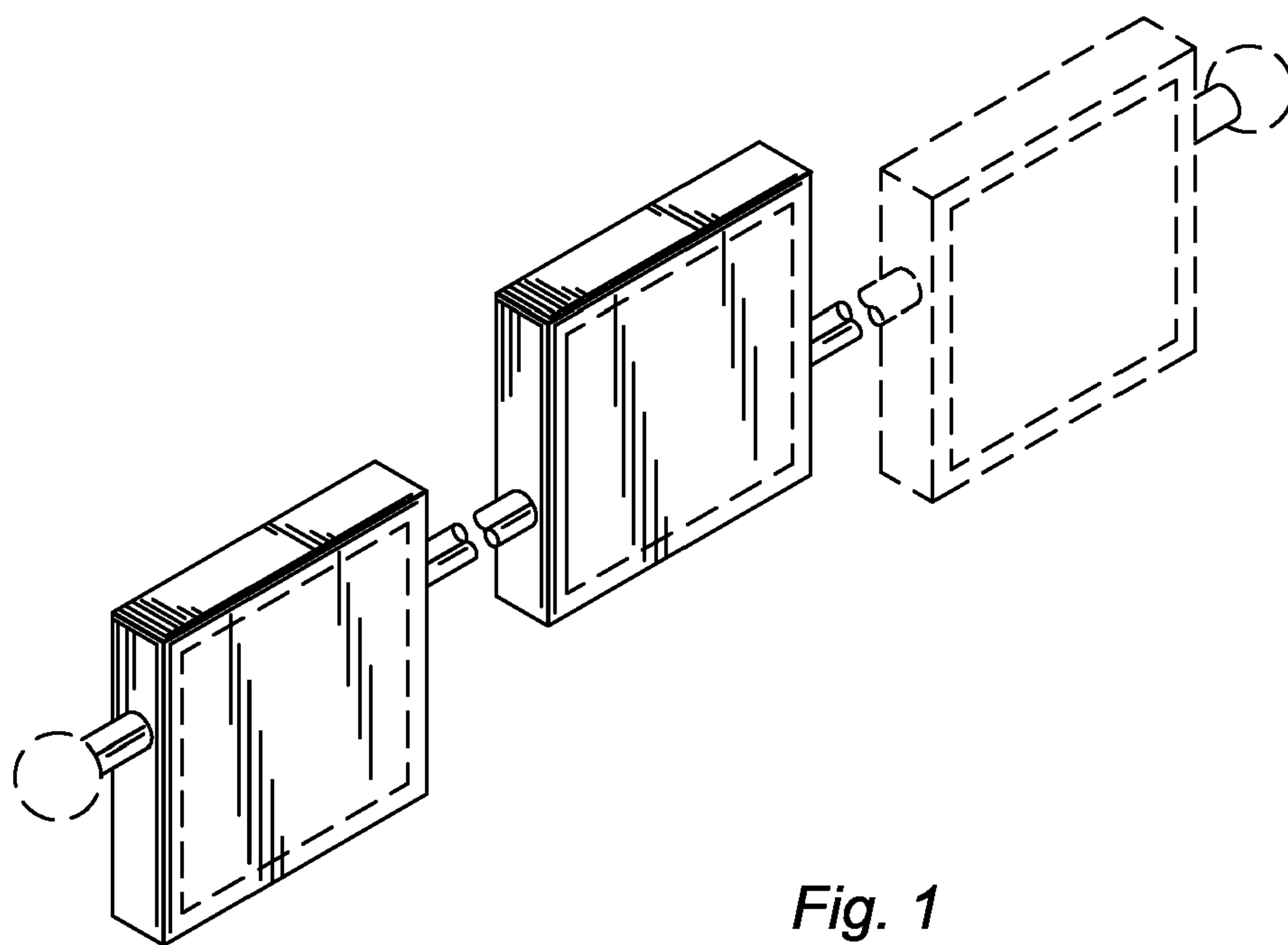


Fig. 1

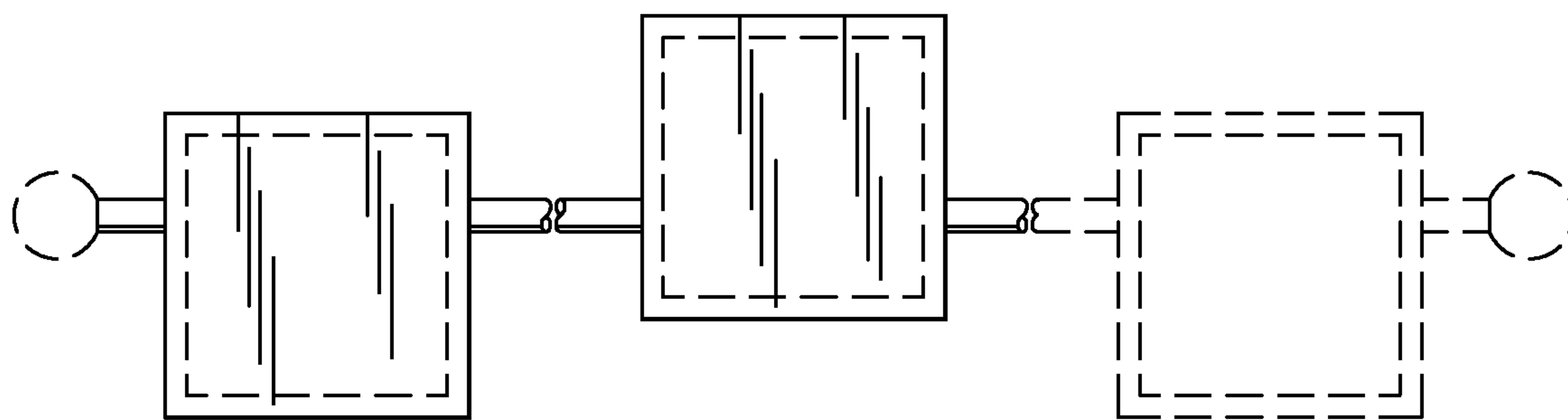


Fig. 2

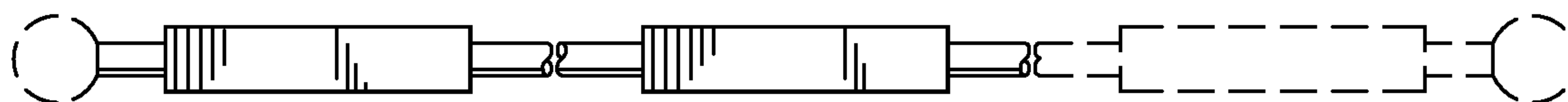


Fig. 3



Fig. 4



Fig. 5

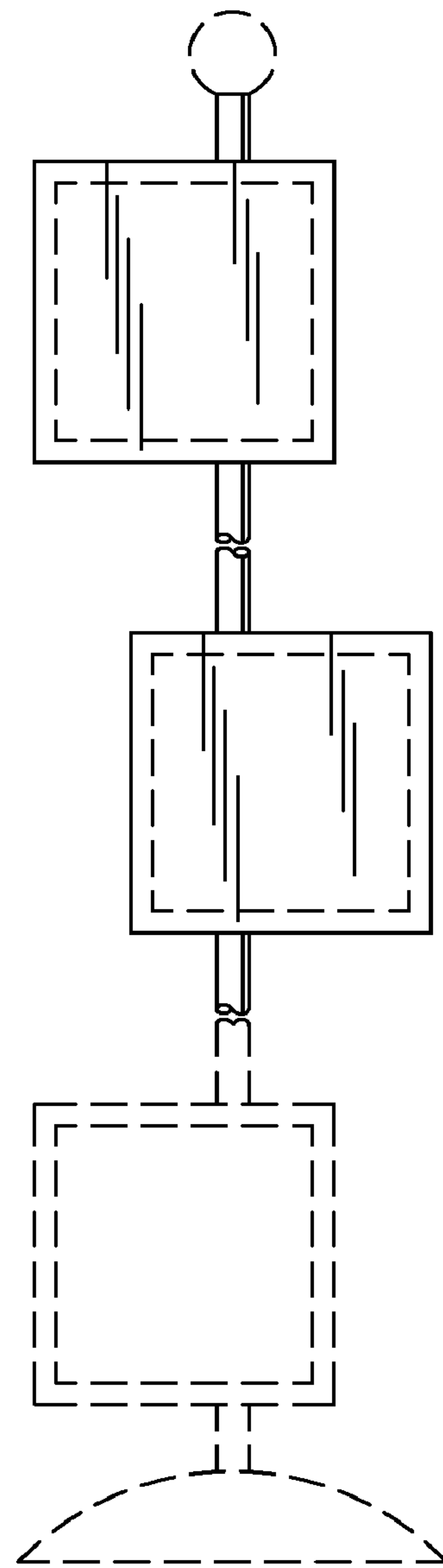


Fig. 6