

US00D657821S

(12) **United States Design Patent**
Dancsecs

(10) **Patent No.:** **US D657,821 S**
(45) **Date of Patent:** **** Apr. 17, 2012**

(54) **CLIP WITH SPINNING PANEL**

(76) Inventor: **Matt Dancsecs**, Pound Ridge, NY (US)

(**) Term: **14 Years**

(21) Appl. No.: **29/372,721**

(22) Filed: **Dec. 30, 2010**

(51) **LOC (9) Cl.** **19-02**

(52) **U.S. Cl.** **D19/65**

(58) **Field of Classification Search** D8/394,
D8/395; D19/65, 86, 99, 100; D20/10, 22,
D20/27, 43; 24/67 R, 67.3, 67.5, 67.7, 67.9,
24/67.11, 546, 547, DIG. 8, DIG. 9; 40/300,
40/359, 658, 666

See application file for complete search history.

(56) **References Cited**

U.S. PATENT DOCUMENTS

438,154	A *	10/1890	Hartmann	402/69
1,627,270	A *	5/1927	Burnham	40/409
D134,886	S *	1/1943	Foret	D19/65
D202,079	S *	8/1965	Polk	D19/65
D237,994	S *	12/1975	Davis	D20/43
D263,319	S *	3/1982	Shuman	D20/40
D268,849	S *	5/1983	Shuman	D20/43
D328,187	S *	7/1992	Saurette	D9/434
D364,188	S *	11/1995	Wolff	D19/65
D408,452	S *	4/1999	Coe	D19/65
D413,924	S *	9/1999	Bould	D19/32
D424,121	S *	5/2000	Kump	D20/43
D477,213	S *	7/2003	Jones et al.	D8/395
6,619,479	B2 *	9/2003	Jones et al.	206/554
6,647,650	B1 *	11/2003	Jones et al.	40/409

6,681,452	B1 *	1/2004	Holland	24/67.3
D488,057	S *	4/2004	Rosado	D8/395
D578,381	S *	10/2008	Wolff	D8/395
D608,628	S *	1/2010	Knuuttila	D8/395
D615,394	S *	5/2010	Pearson et al.	D8/395
D644,694	S *	9/2011	Liang et al.	D20/43

* cited by examiner

Primary Examiner — Elizabeth Albert

(74) *Attorney, Agent, or Firm* — Steven E. Shapiro

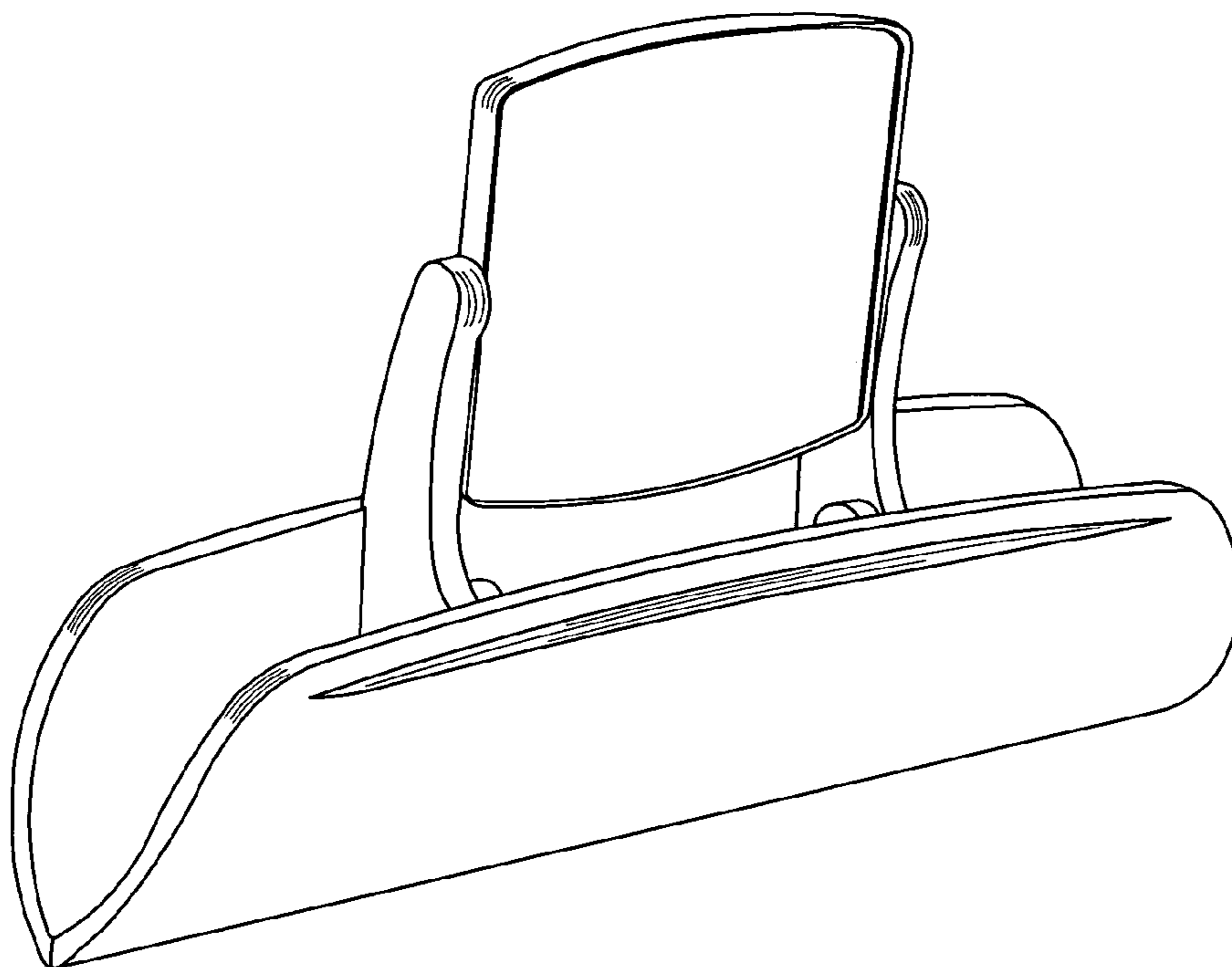
(57) **CLAIM**

The ornamental design for a clip with spinning panel, as shown and described.

DESCRIPTION

FIG. 1 is a top, front perspective view of a clip with spinning panel;
 FIG. 2 is a front perspective view of the clip with spinning panel;
 FIG. 3 is a top, front perspective view of a clip with spinning panel;
 FIG. 4 is a bottom, front perspective view of the clip with spinning panel;
 FIG. 5 is a rear perspective view of the clip with spinning panel;
 FIG. 6 is a bottom, rear perspective view of the clip with spinning panel;
 FIG. 7 is a front view of the clip with spinning panel;
 FIG. 8 is a rear view of the clip with spinning panel;
 FIG. 9 is a top view of the clip with spinning panel;
 FIG. 10 is a bottom view of the clip with spinning panel;
 FIG. 11 is a right side view of the clip with spinning panel;
 and,
 FIG. 12 is a left side view of the clip with spinning panel.

1 Claim, 12 Drawing Sheets



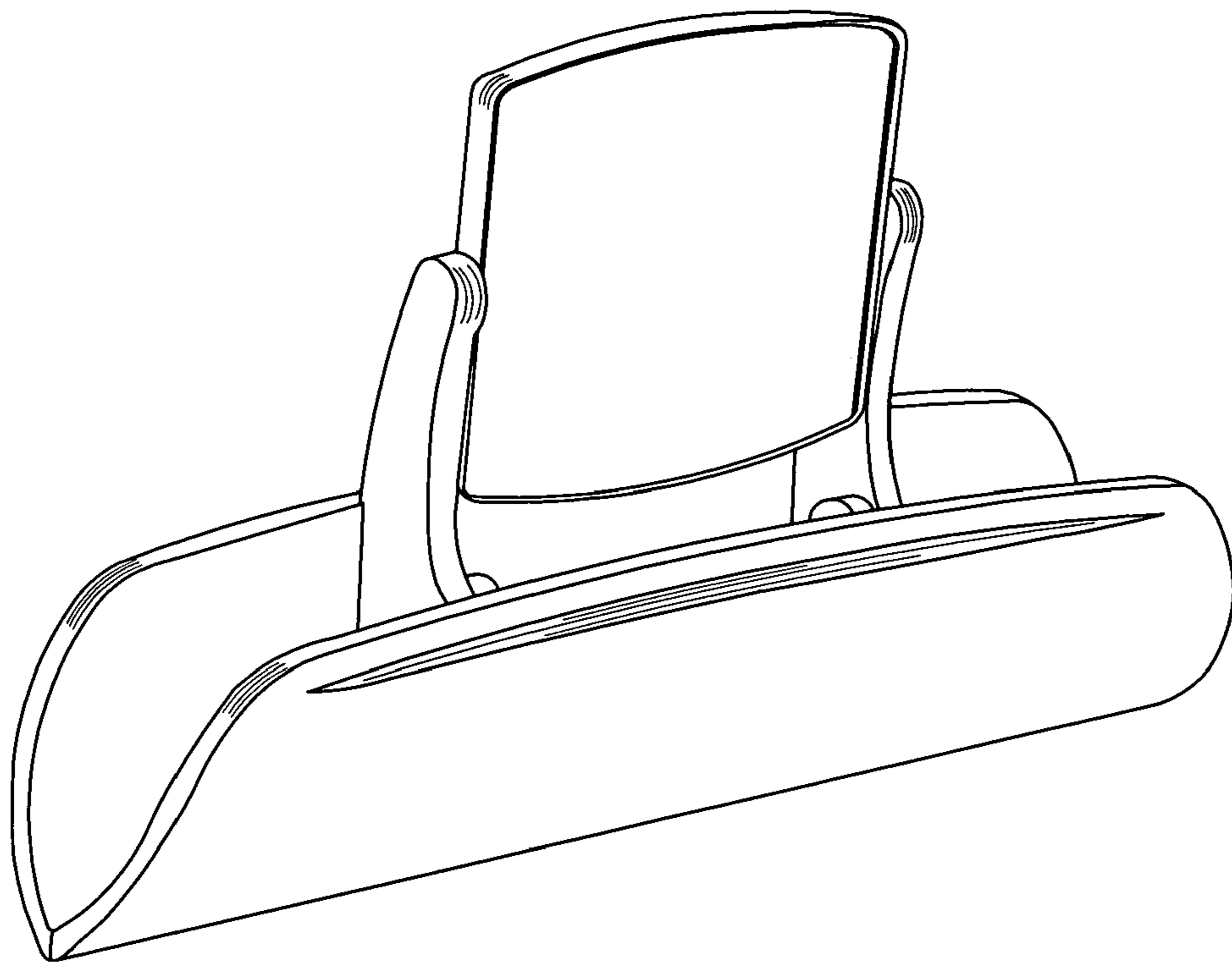


FIG. 1

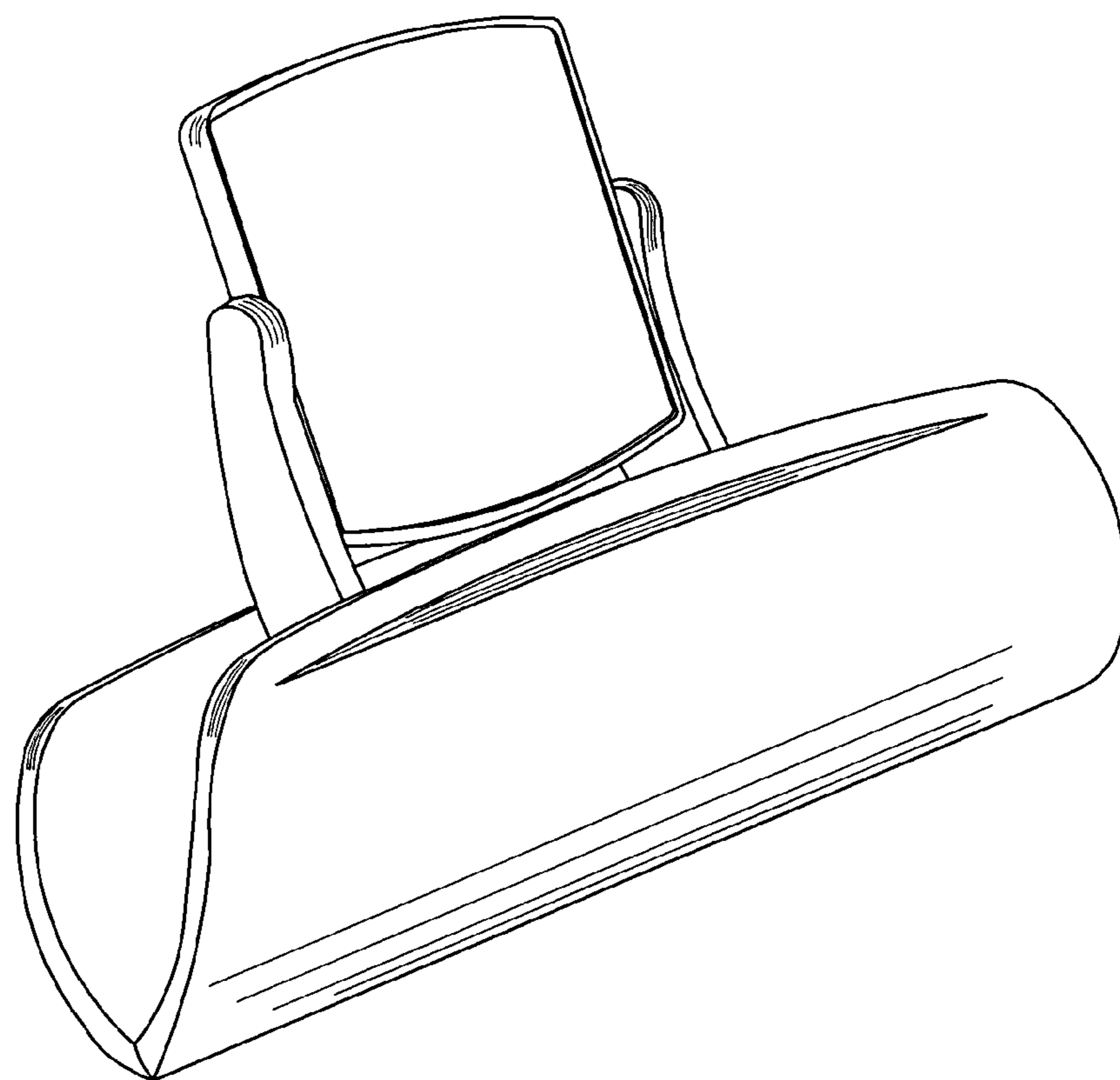


FIG. 2

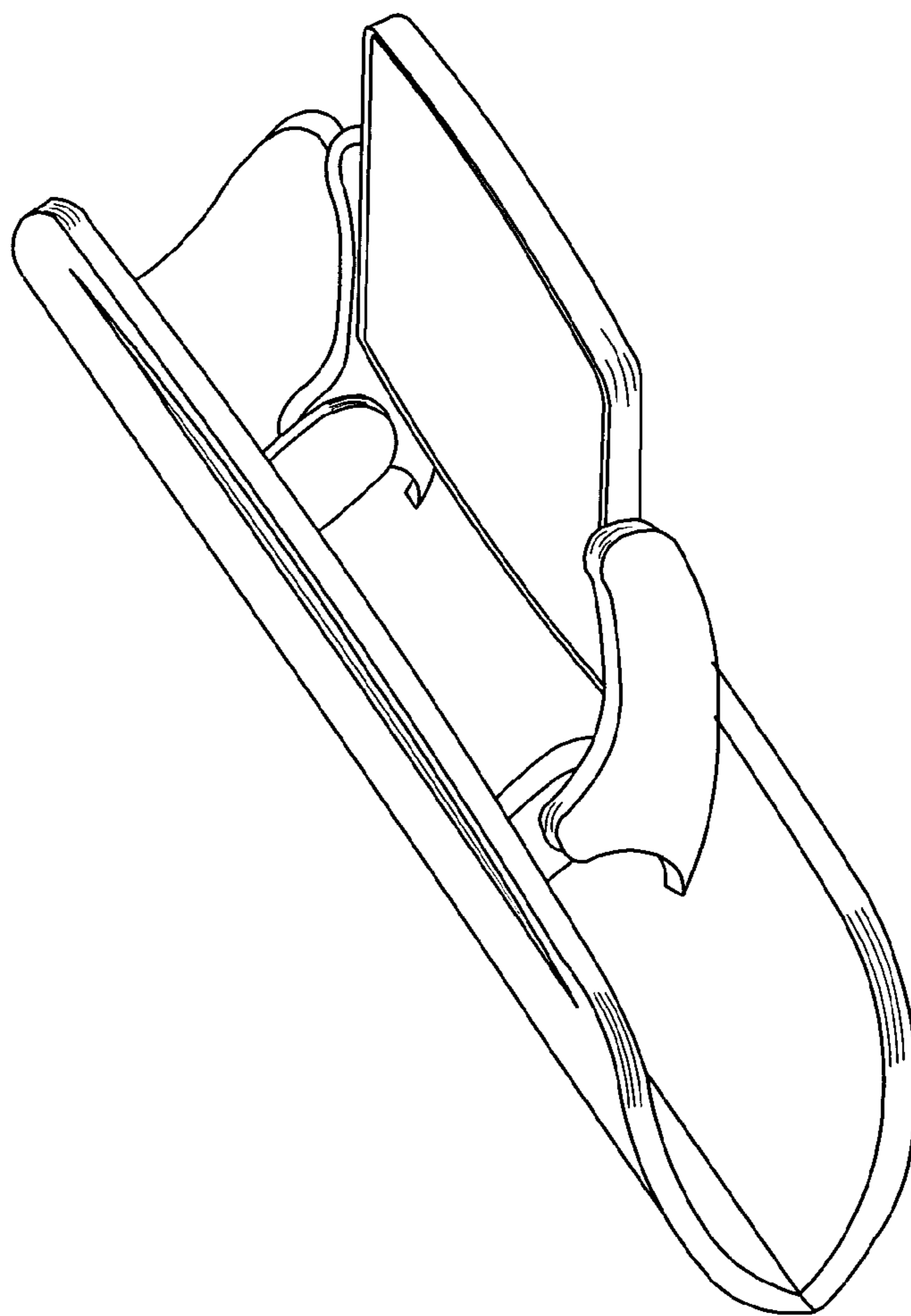


FIG. 3

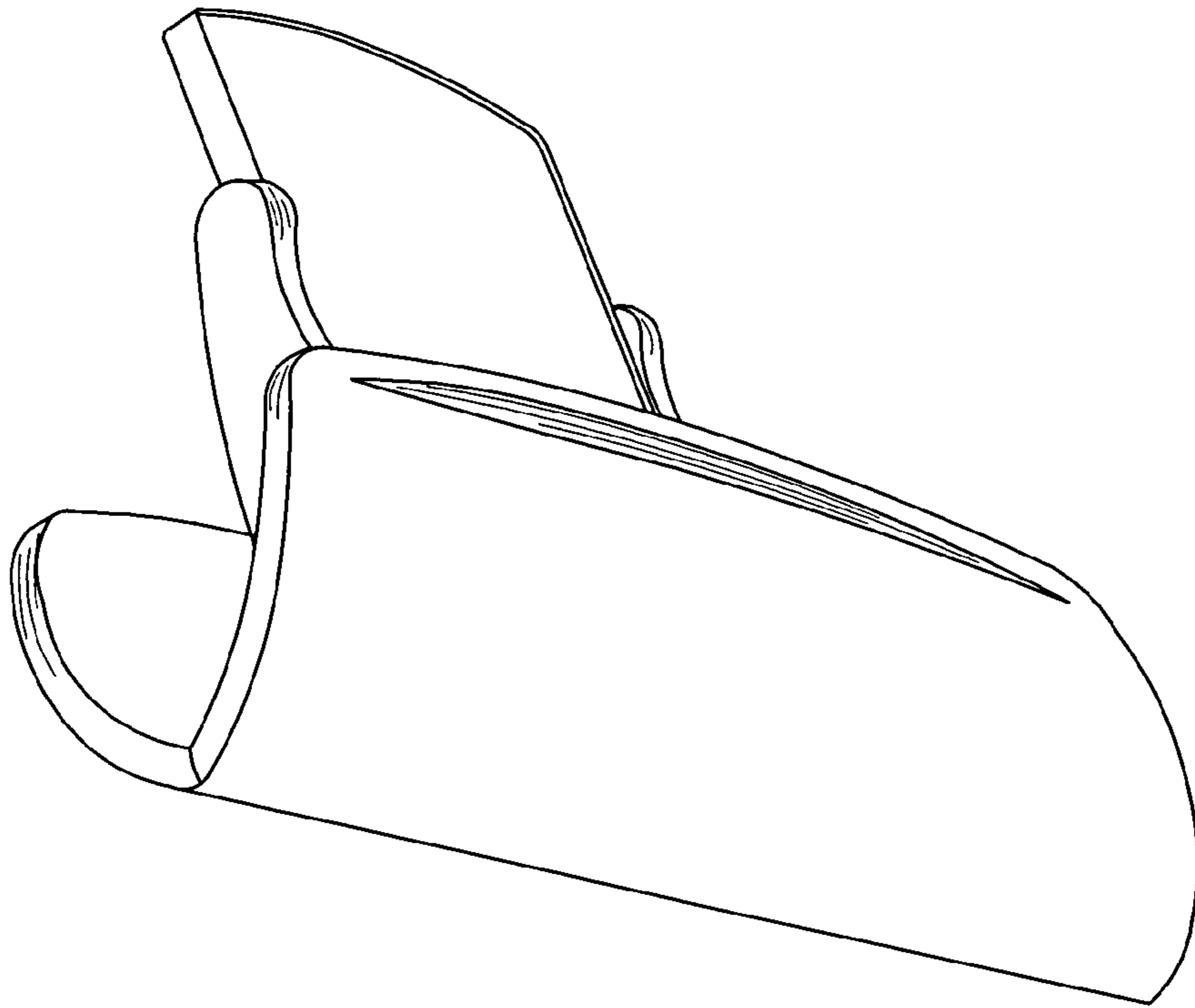


FIG. 4

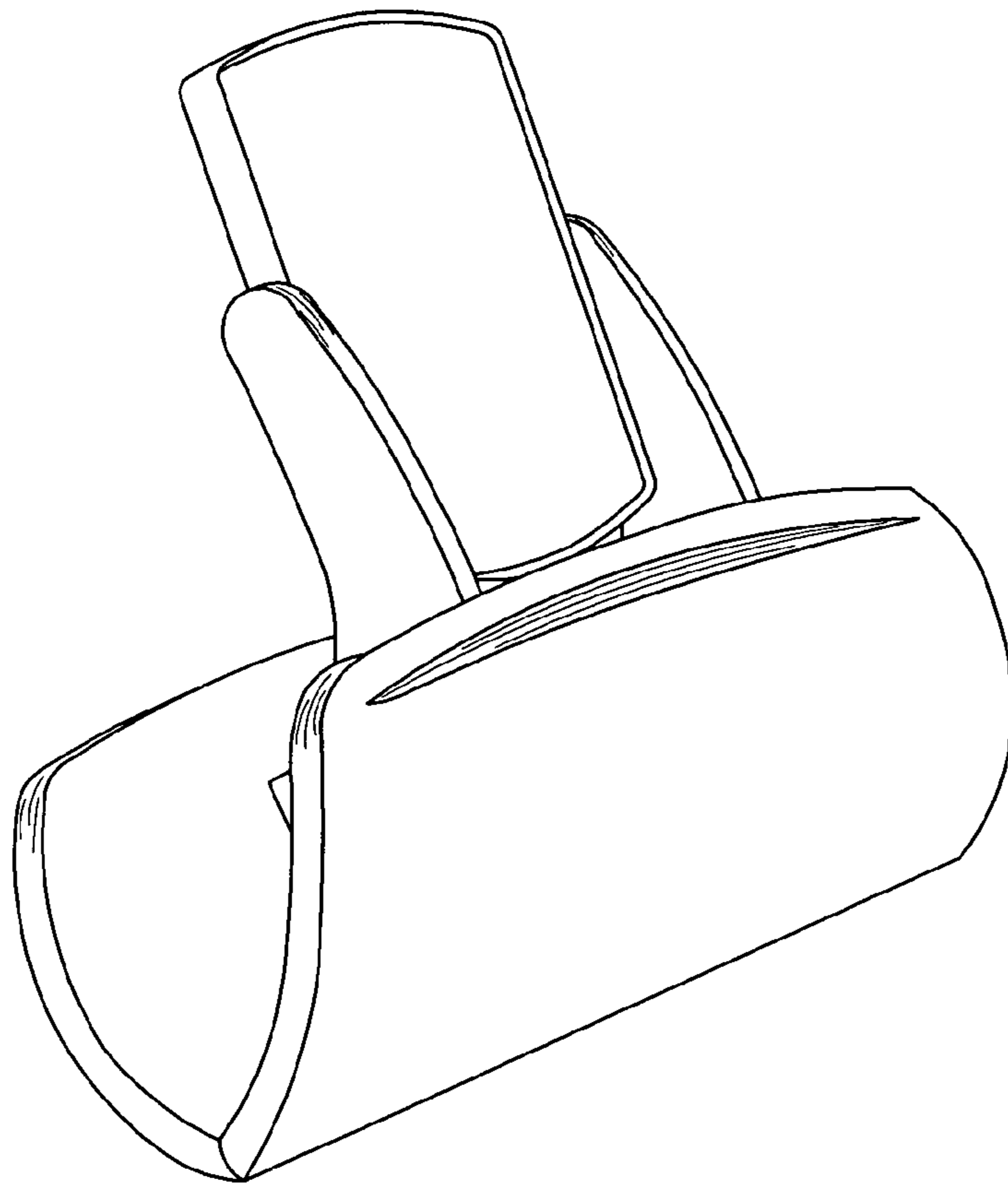


FIG. 5

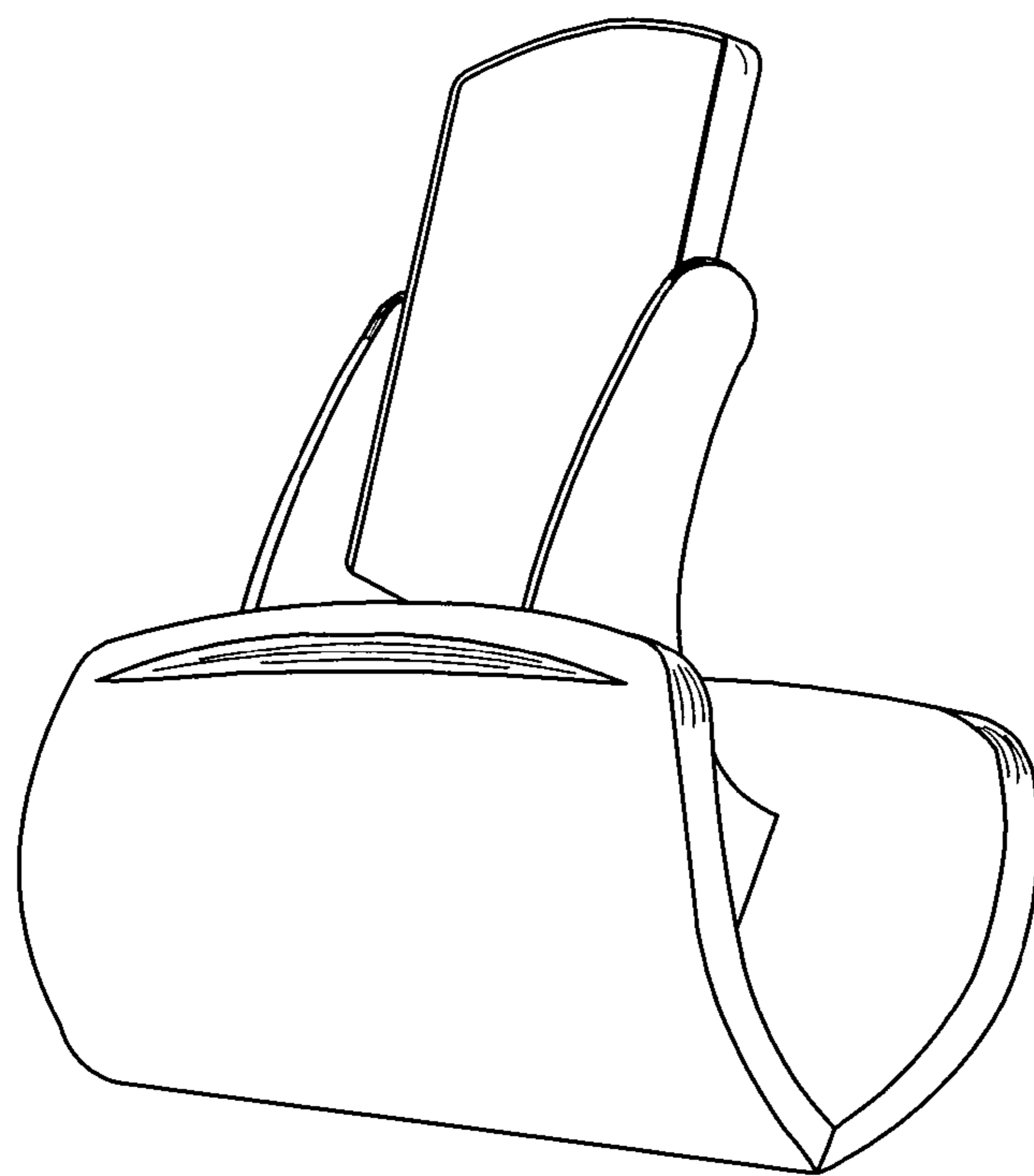


FIG. 6

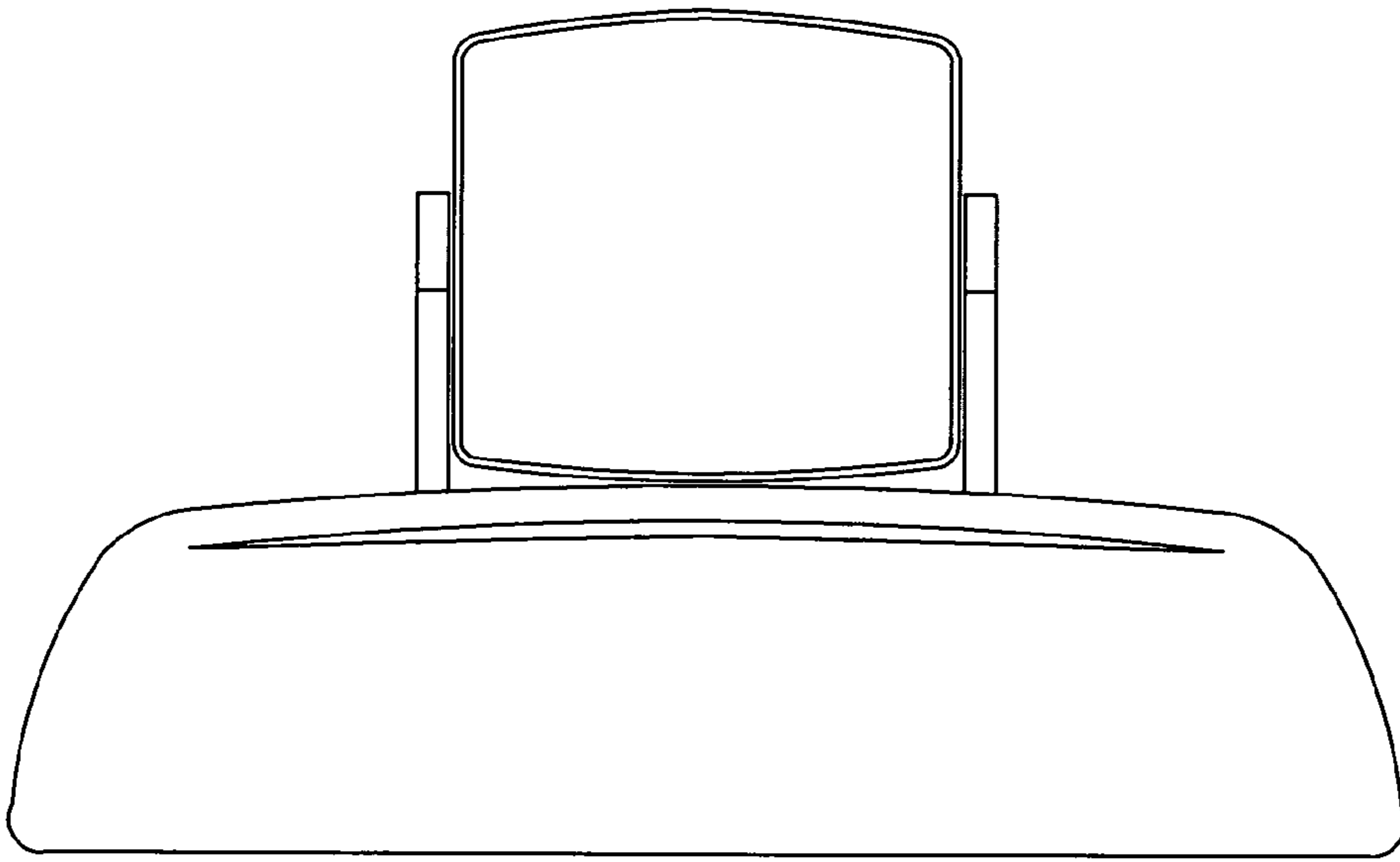


FIG. 7

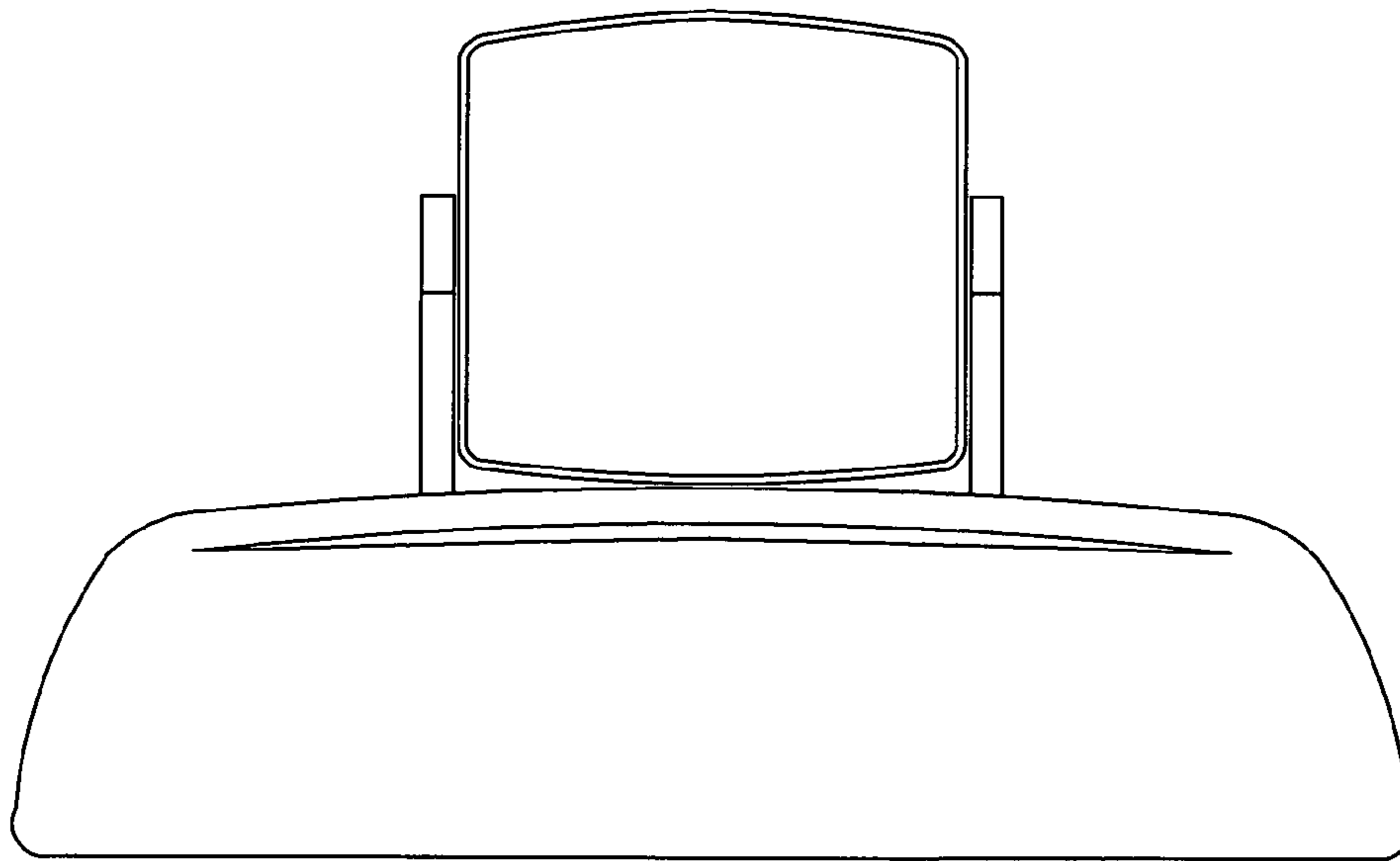


FIG. 8

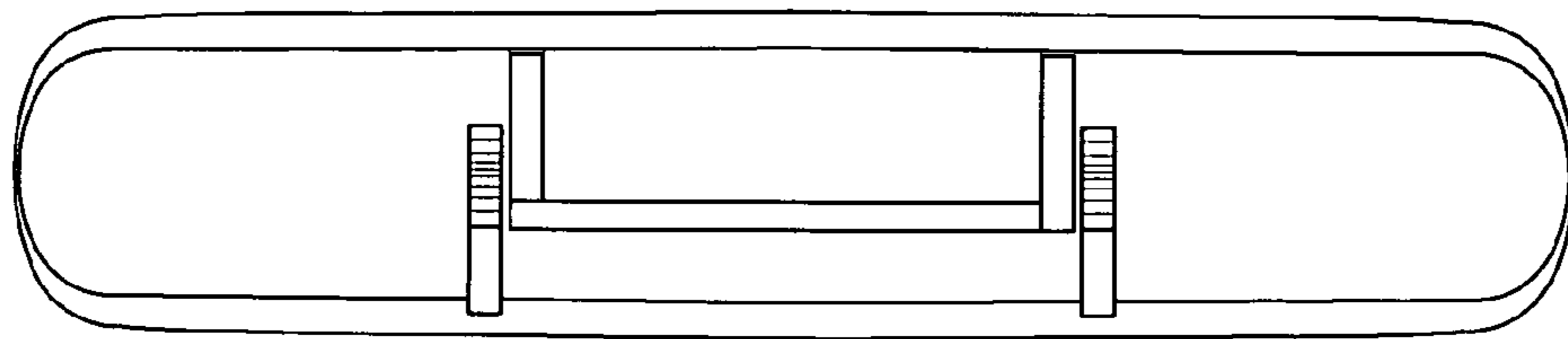


FIG. 9

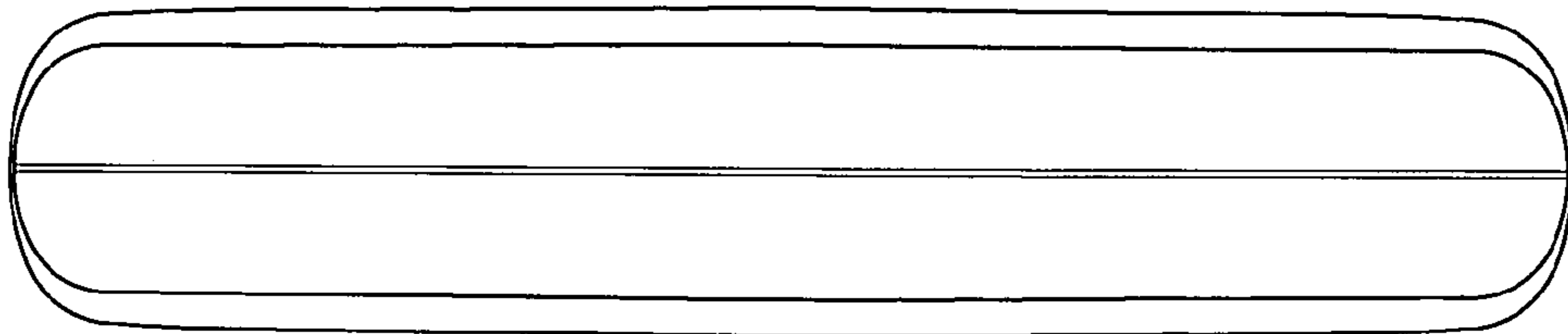


FIG. 10

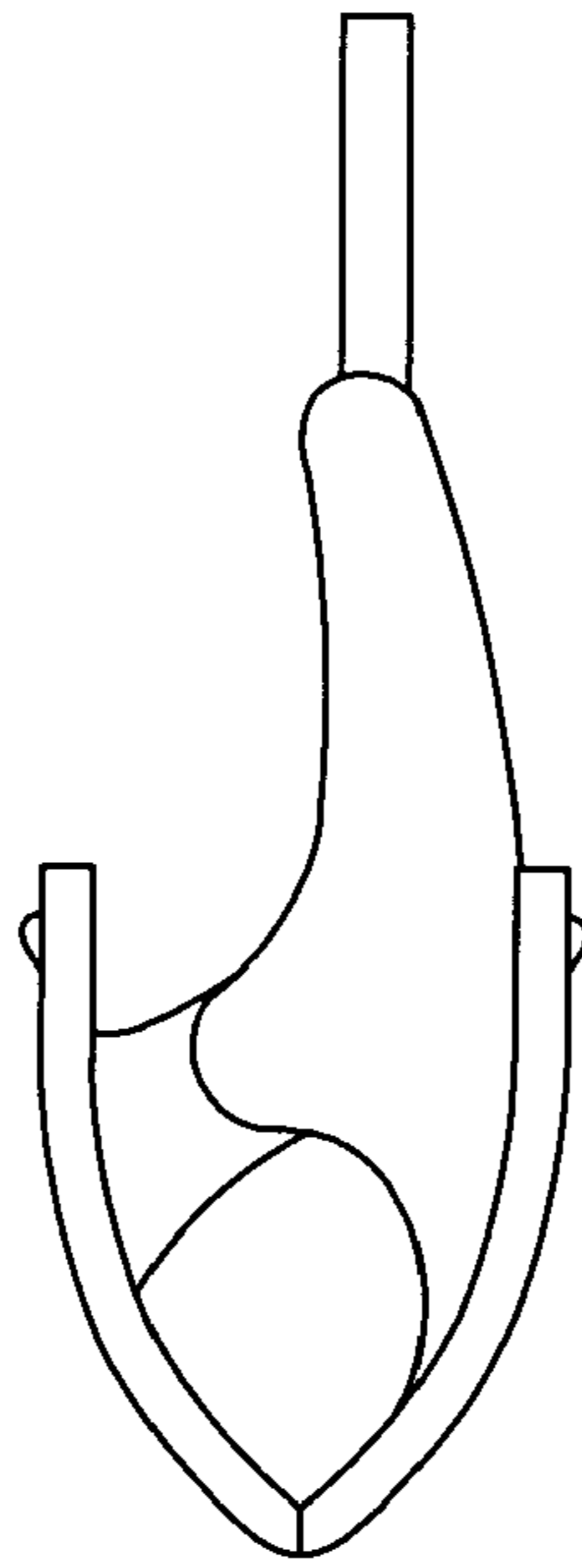


FIG. 11

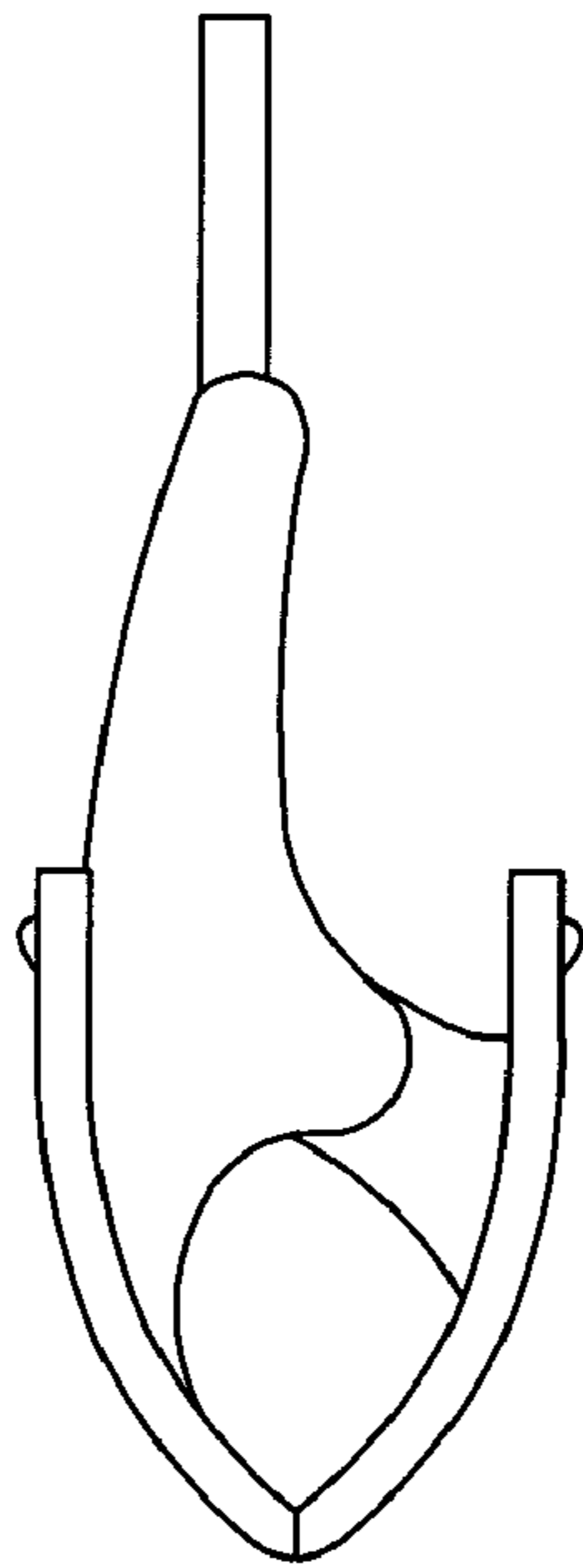


FIG. 12