



US00D657815S

(12) **United States Design Patent**  
**Iwakami**

(10) **Patent No.:** **US D657,815 S**  
(45) **Date of Patent:** **\*\* Apr. 17, 2012**

- (54) **BANKNOTE COUNTER**
- (75) Inventor: **Naoki Iwakami**, Hyogo-Ken (JP)
- (73) Assignee: **Glory Ltd.**, Hyogo-Ken (JP)
- (\*\*) Term: **14 Years**
- (21) Appl. No.: **29/370,590**
- (22) Filed: **Aug. 9, 2010**
- (51) **LOC (9) Cl.** ..... **18-01**
- (52) **U.S. Cl.** ..... **D18/3.3**
- (58) **Field of Classification Search** ..... D18/3.1,  
D18/3.3, 12.1, 46, 47, 48, 49; D99/28, 34,  
D99/35, 99; 235/375-381, 100; 109/1 V,  
109/2, 24.1, 66; 361/1; 902/8, 9, 10-17  
See application file for complete search history.

6,908,029	B2 *	6/2005	Numata et al.	235/375
6,913,130	B1 *	7/2005	Mazur et al.	194/207
D517,115	S *	3/2006	Kuwada	D18/3.3
D539,332	S *	3/2007	Gonzalez	D18/3.3
D560,711	S *	1/2008	Robinson et al.	D18/3.3
D562,377	S *	2/2008	Kuroda	D18/3.3
D582,471	S *	12/2008	Stoddart et al.	D18/47
D590,870	S *	4/2009	Kuwada	D18/3.3
2001/0015311	A1 *	8/2001	Mennie	194/302
2003/0118228	A1 *	6/2003	Mennie et al.	382/135

\* cited by examiner

*Primary Examiner* — Stella Reid  
*Assistant Examiner* — Elizabeth J Oswecki  
 (74) *Attorney, Agent, or Firm* — Renner, Kenner, Greive,  
 Bobak, Taylor & Weber

(57) **CLAIM**  
 The ornamental design for a banknote counter, as shown and  
 described.

(56) **References Cited**

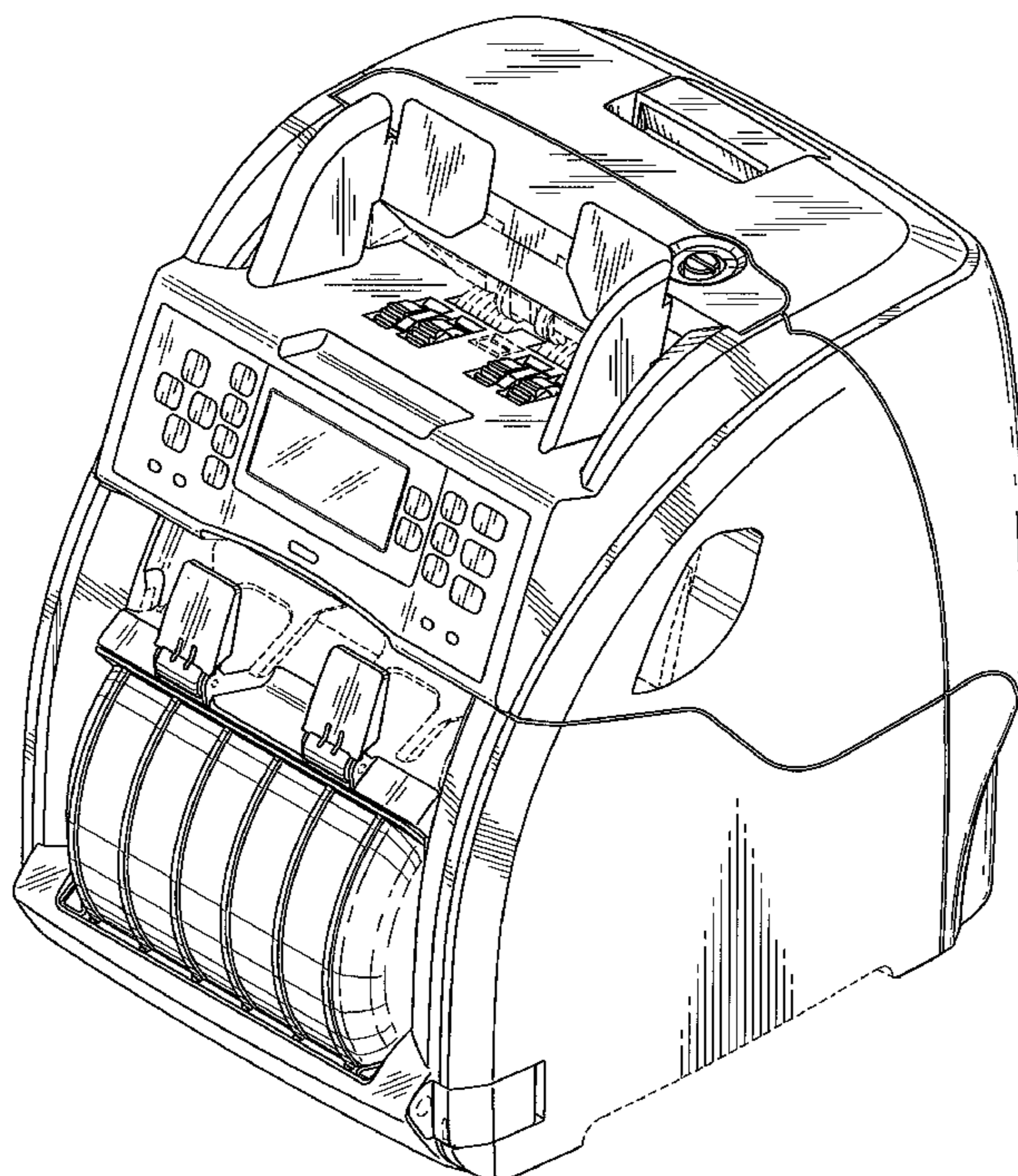
**U.S. PATENT DOCUMENTS**

D274,520	S *	7/1984	Bressler	D18/49
4,694,963	A *	9/1987	Takesako	209/534
D294,834	S *	3/1988	McDonald	D18/3.3
4,905,839	A *	3/1990	Yuge et al.	209/534
D320,806	S *	10/1991	Inoue	D18/3.3
D338,905	S *	8/1993	Helgeson	D18/3.3
D369,984	S *	5/1996	Larsen	D10/97
D377,766	S *	2/1997	Hidaka et al.	D18/3.3
5,938,044	A *	8/1999	Weggesser	209/534
D427,623	S *	7/2000	Kuwada et al.	D18/3.1
D439,604	S *	3/2001	Takagi et al.	D18/3.3
D452,973	S *	1/2002	Kuwada	D18/3.3
6,351,551	B1 *	2/2002	Munro et al.	382/135
D457,554	S *	5/2002	Takagi et al.	D18/3.3
6,493,461	B1 *	12/2002	Mennie et al.	382/135
D477,349	S *	7/2003	Osada	D18/3.1

**DESCRIPTION**

FIG. 1 is a perspective view of a banknote counter with the shutter shown in a closed position;  
 FIG. 2 is a front elevational view thereof;  
 FIG. 3 is a top plan view thereof;  
 FIG. 4 is a left side elevational view thereof;  
 FIG. 5 is a right side elevational view thereof;  
 FIG. 6 is a rear elevational view thereof;  
 FIG. 7 is a bottom plan view thereof; and,  
 FIG. 8 is a perspective view of a banknote counter with the shutter shown in an open position.  
 The portions of the banknote counter shown in broken lines form no part of the claimed design.

**1 Claim, 8 Drawing Sheets**



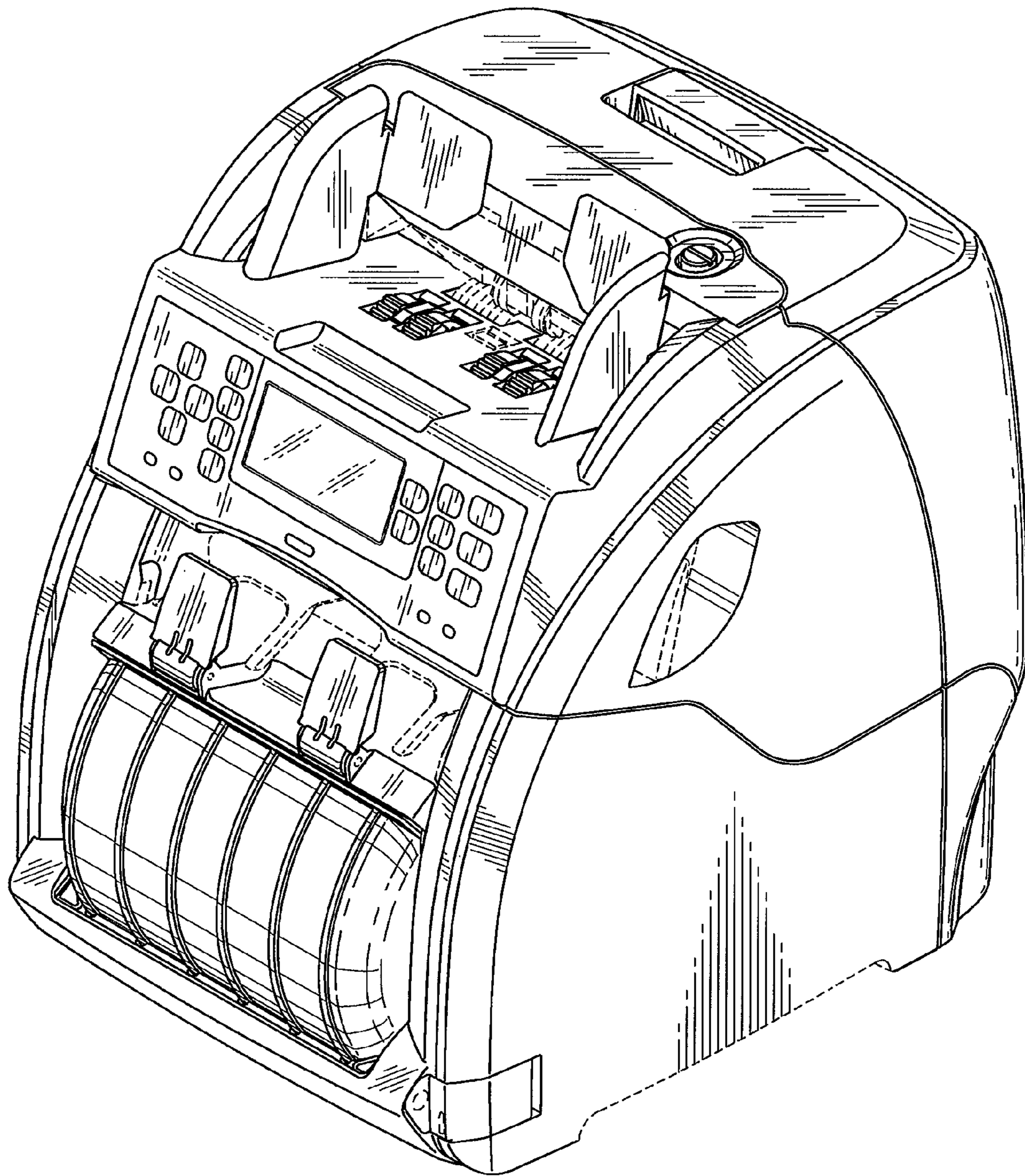


FIG. 1

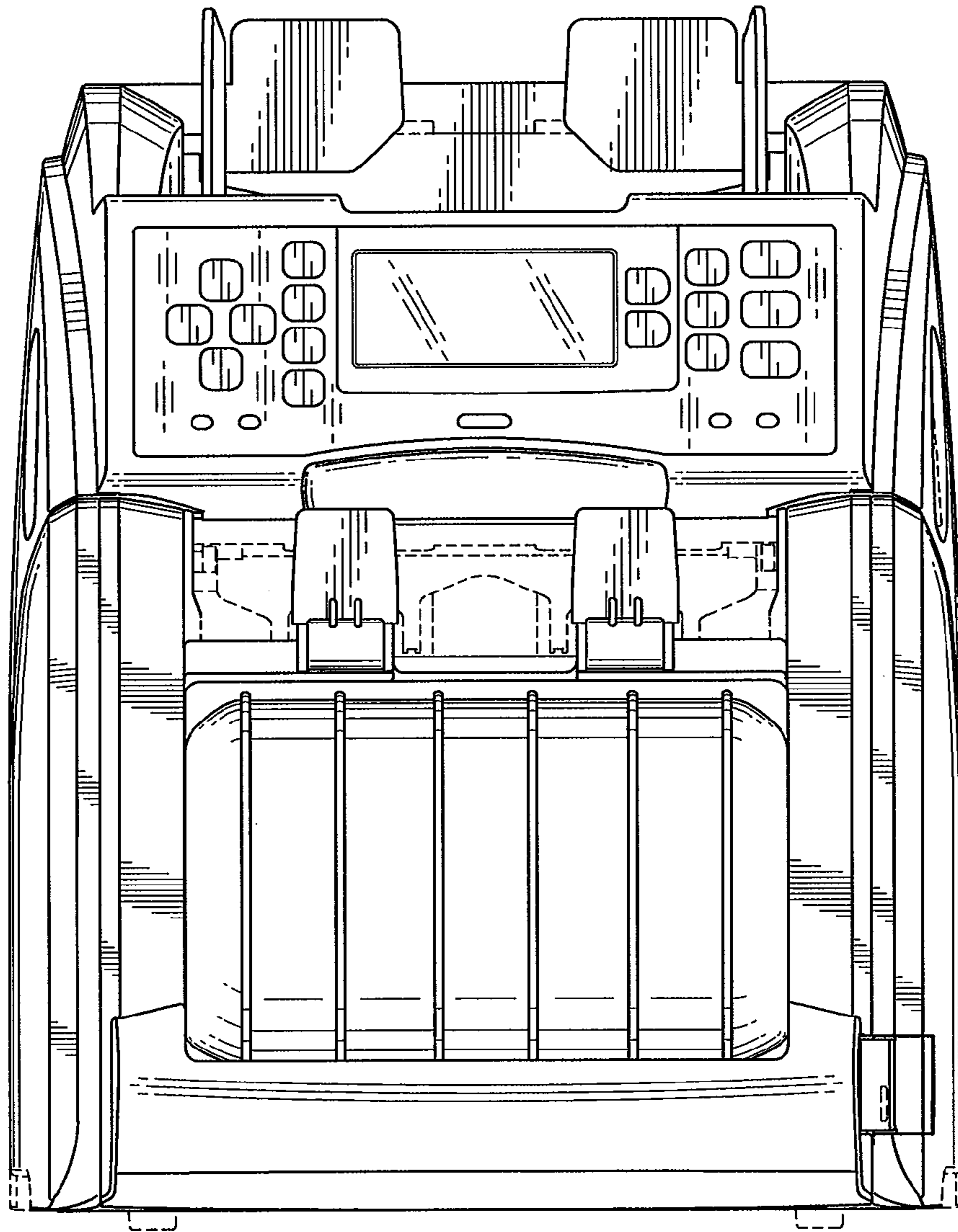


FIG. 2

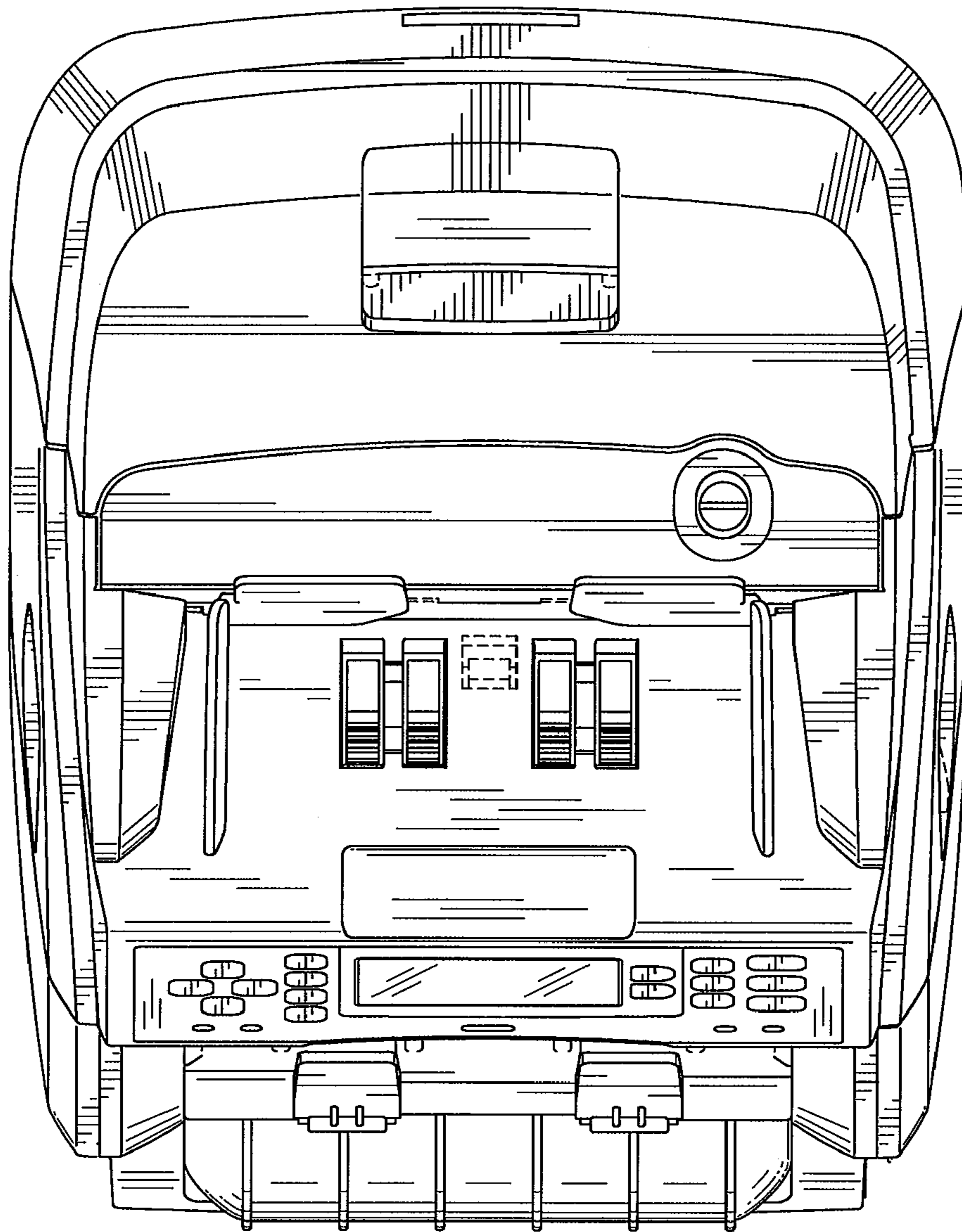


FIG. 3

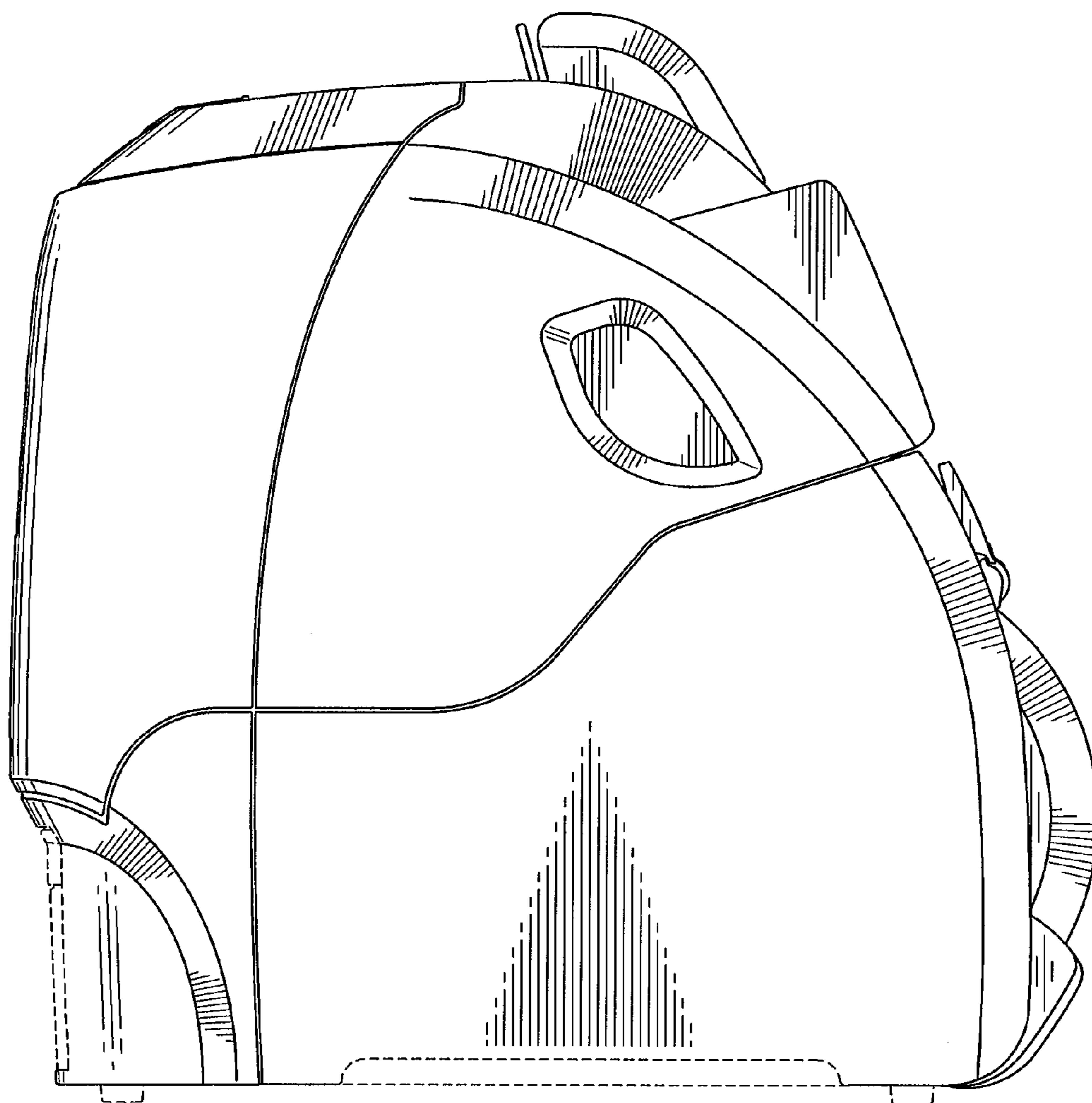


FIG. 4

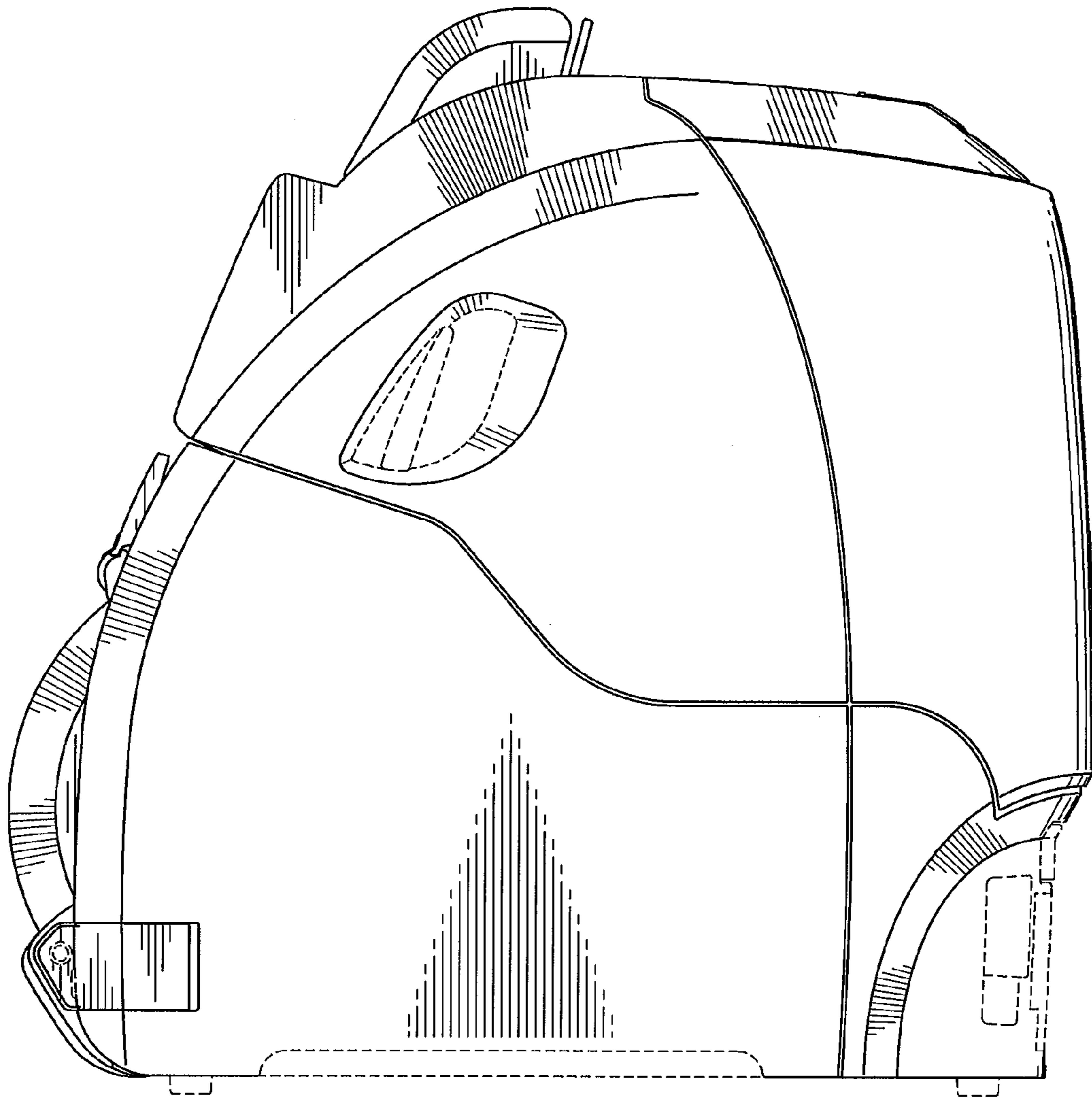


FIG. 5

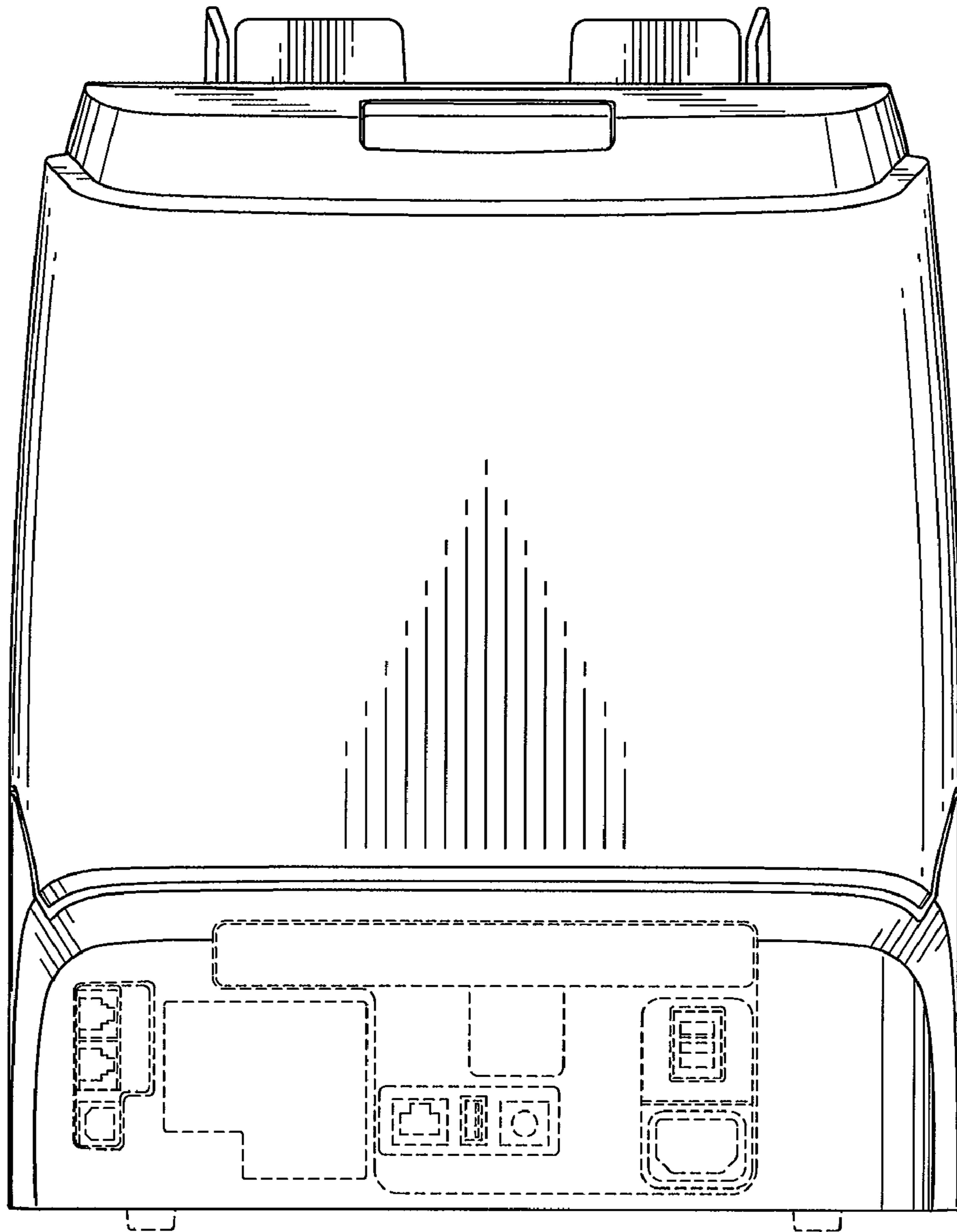


FIG. 6

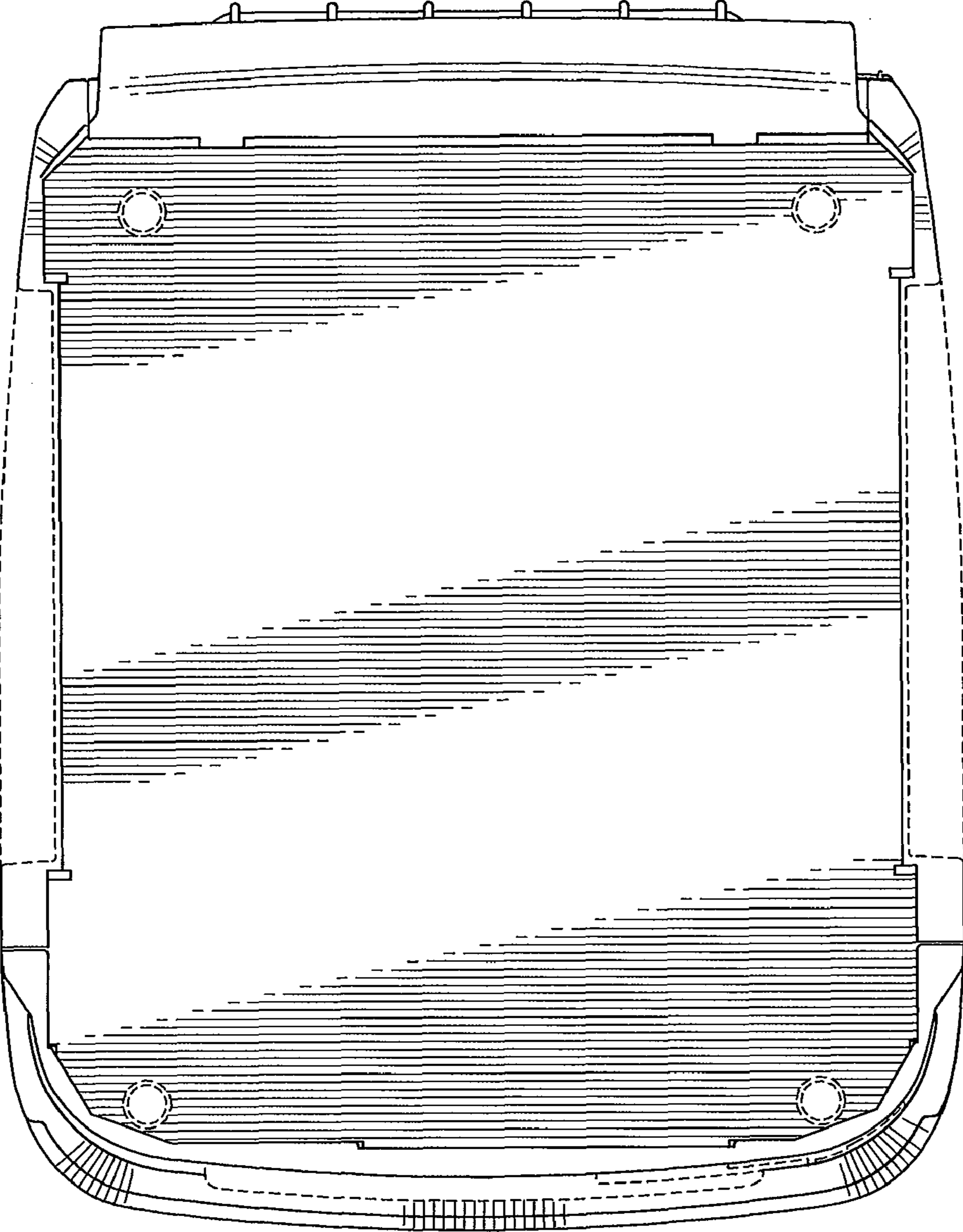


FIG. 7



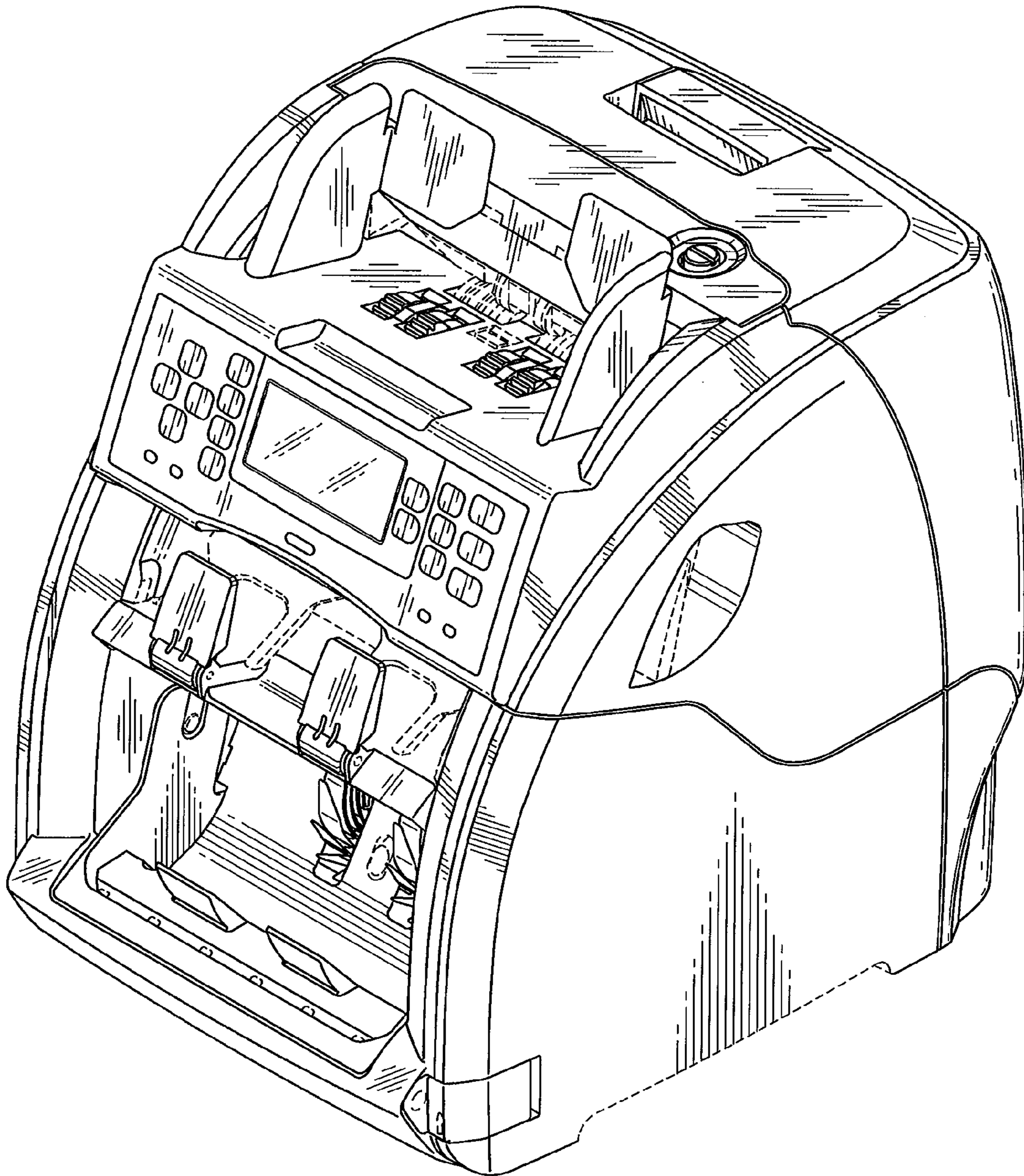


FIG. 8