



US00D657811S

(12) **United States Design Patent**
Woodman

(10) **Patent No.:** **US D657,811 S**

(45) **Date of Patent:** **** Apr. 17, 2012**

(54) **LENS WINDOW FOR A CAMERA HOUSING**

(75) Inventor: **Nicholas D. Woodman**, Sausalito, CA (US)

(73) Assignee: **Woodman Labs, Inc.**, Half Moon Bay, CA (US)

(**) Term: **14 Years**

(21) Appl. No.: **29/398,309**

(22) Filed: **Jul. 28, 2011**

Related U.S. Application Data

(63) Continuation of application No. 29/342,526, filed on Aug. 26, 2009, now Pat. No. Des. 644,679.

(51) **LOC (9) Cl.** **16-05**

(52) **U.S. Cl.** **D16/219; D16/134**

(58) **Field of Classification Search** D16/134,
D16/136, 200, 204, 217, 218, 219; 348/373-374;
359/814, 815, 819, 826-828; 396/25, 529,
396/535

See application file for complete search history.

(56) **References Cited**

U.S. PATENT DOCUMENTS

D96,348	S	7/1935	Teague	
4,646,141	A	2/1987	Timmermans et al.	
D388,109	S *	12/1997	Kimura et al.	D16/217
D441,386	S	5/2001	Yamazaki	
D460,474	S	7/2002	Gotham et al.	
6,545,825	B2 *	4/2003	Shoji et al.	359/819
7,060,921	B2 *	6/2006	Kubo	396/25
7,182,529	B2 *	2/2007	Kurosawa	396/535
D538,324	S *	3/2007	Masamitsu et al.	D16/219
7,295,388	B2	11/2007	Shyu et al.	
D582,955	S	12/2008	Sekine et al.	

D600,265	S *	9/2009	Miyashita	D16/219
D646,313	S *	10/2011	Woodman	D16/200
D648,363	S *	11/2011	Takagi et al.	D16/134
2003/0035052	A1	2/2003	Baron	

* cited by examiner

Primary Examiner — Adir Aronovich

(74) *Attorney, Agent, or Firm* — Fenwick & West LLP

(57) **CLAIM**

The ornamental design for a lens window for a camera housing, as shown and described.

DESCRIPTION

FIG. 1 is a front top and left side perspective view of a first embodiment of a lens window for a camera housing showing my new design;

FIG. 2 is a front elevational view thereof;

FIG. 3 is a right side elevational view thereof;

FIG. 4 is a front, top and left side perspective view of a second embodiment of the lens window for a camera housing;

FIG. 5 is a front elevational view thereof;

FIG. 6 is a right side elevational view thereof;

FIG. 7 is a front, top and left side perspective view of a third embodiment of the lens window for a camera housing;

FIG. 8 is a front elevational view thereof;

FIG. 9 is a right side elevational view thereof;

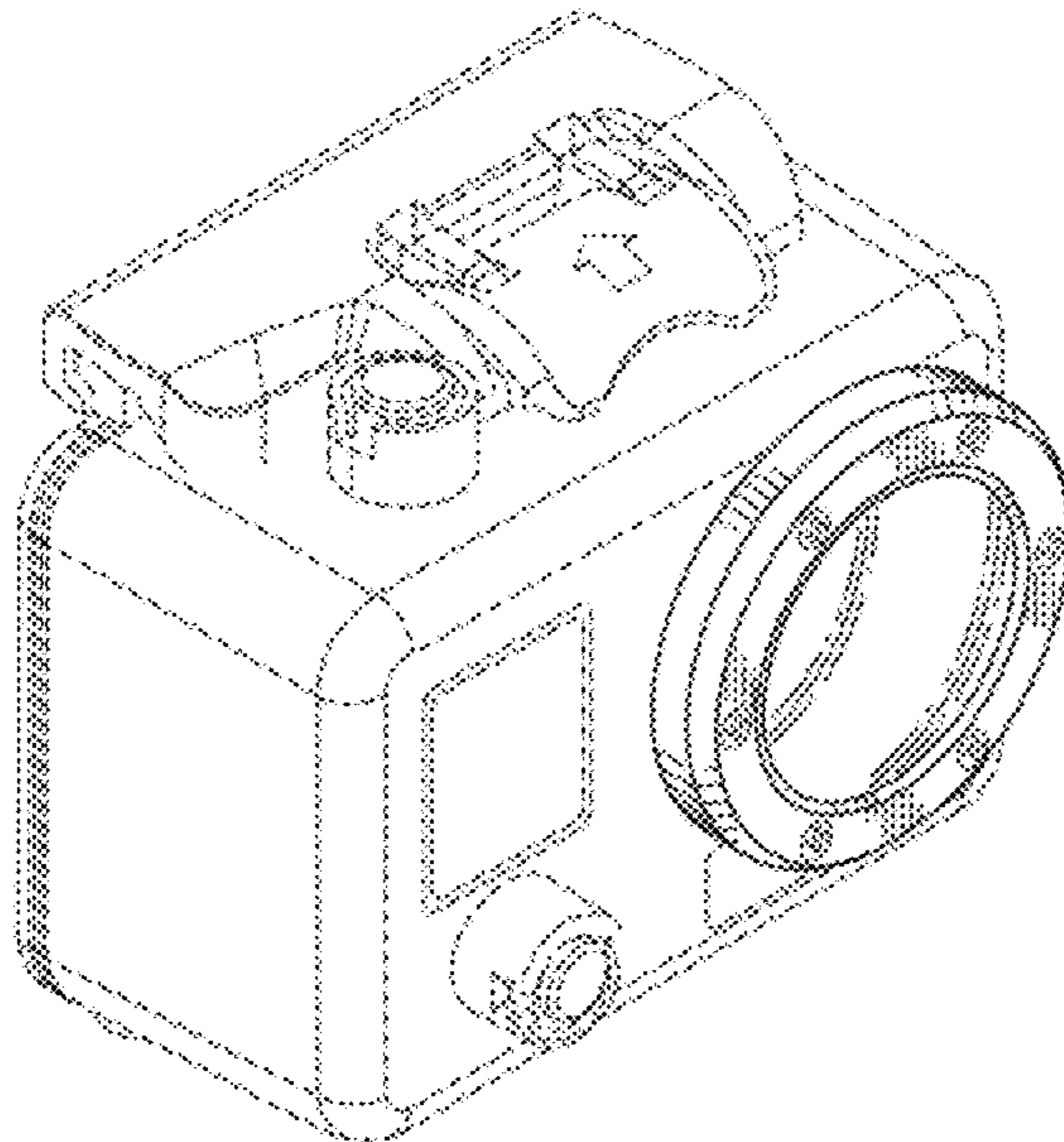
FIG. 10 is a front, top and left side perspective view of a fourth embodiment of the lens window for a camera housing;

FIG. 11 is a front elevational view thereof; and,

FIG. 12 is a right side elevational view thereof.

The broken lines in the drawings showing portions of the camera housing are included for the purpose of illustrating environmental structure and form no part of the claimed design.

1 Claim, 12 Drawing Sheets



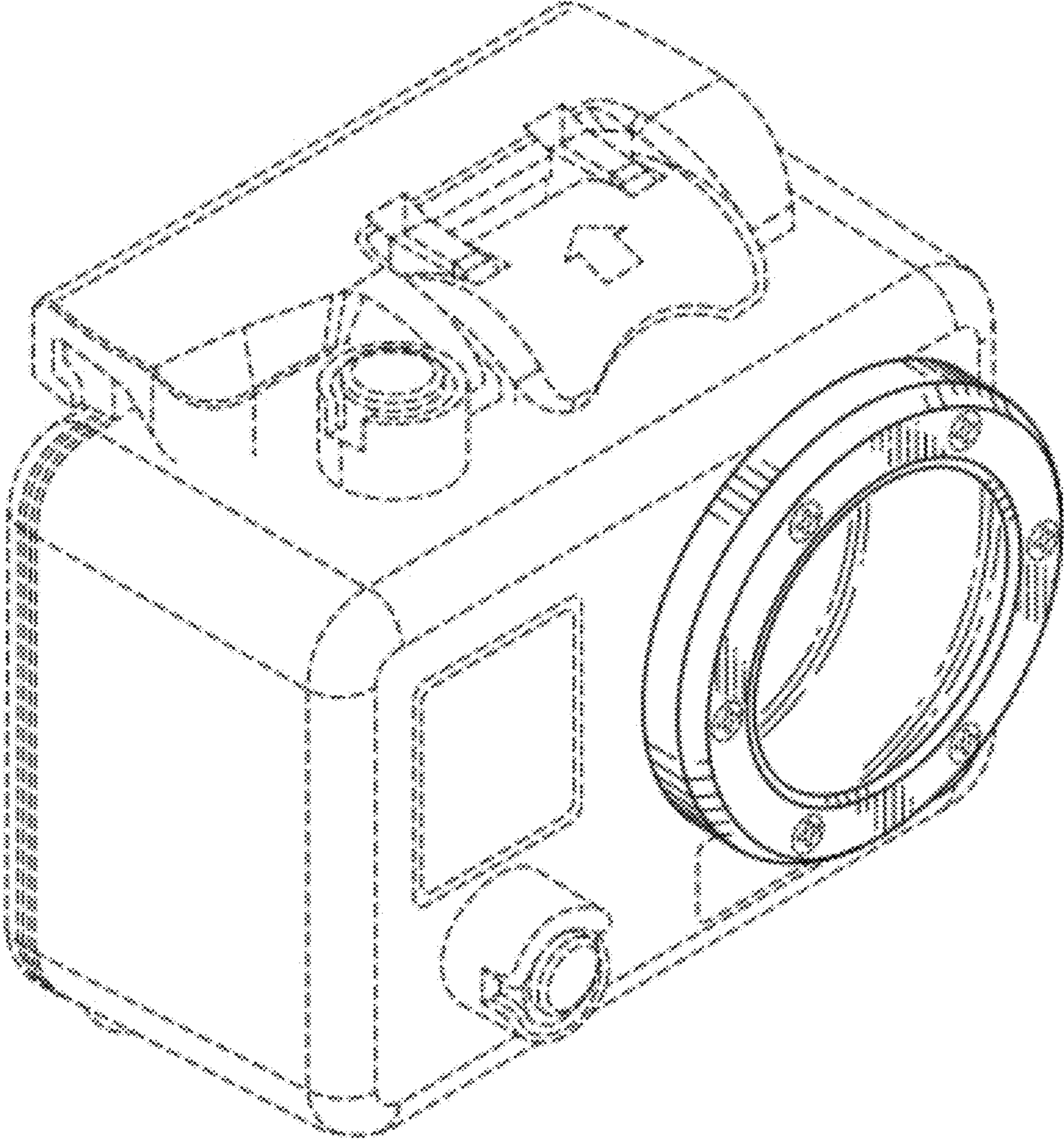


FIG. 1

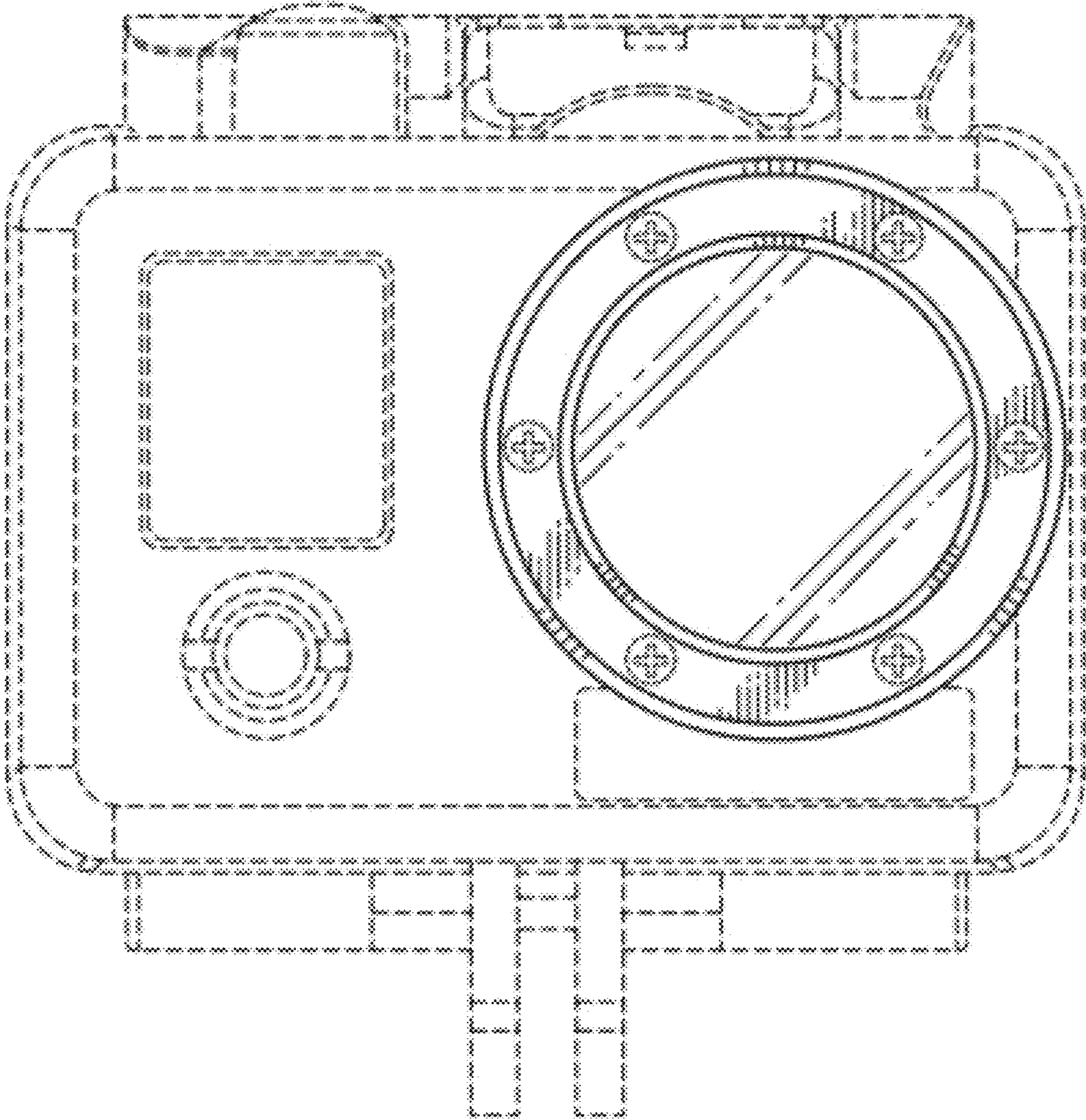


FIG. 2

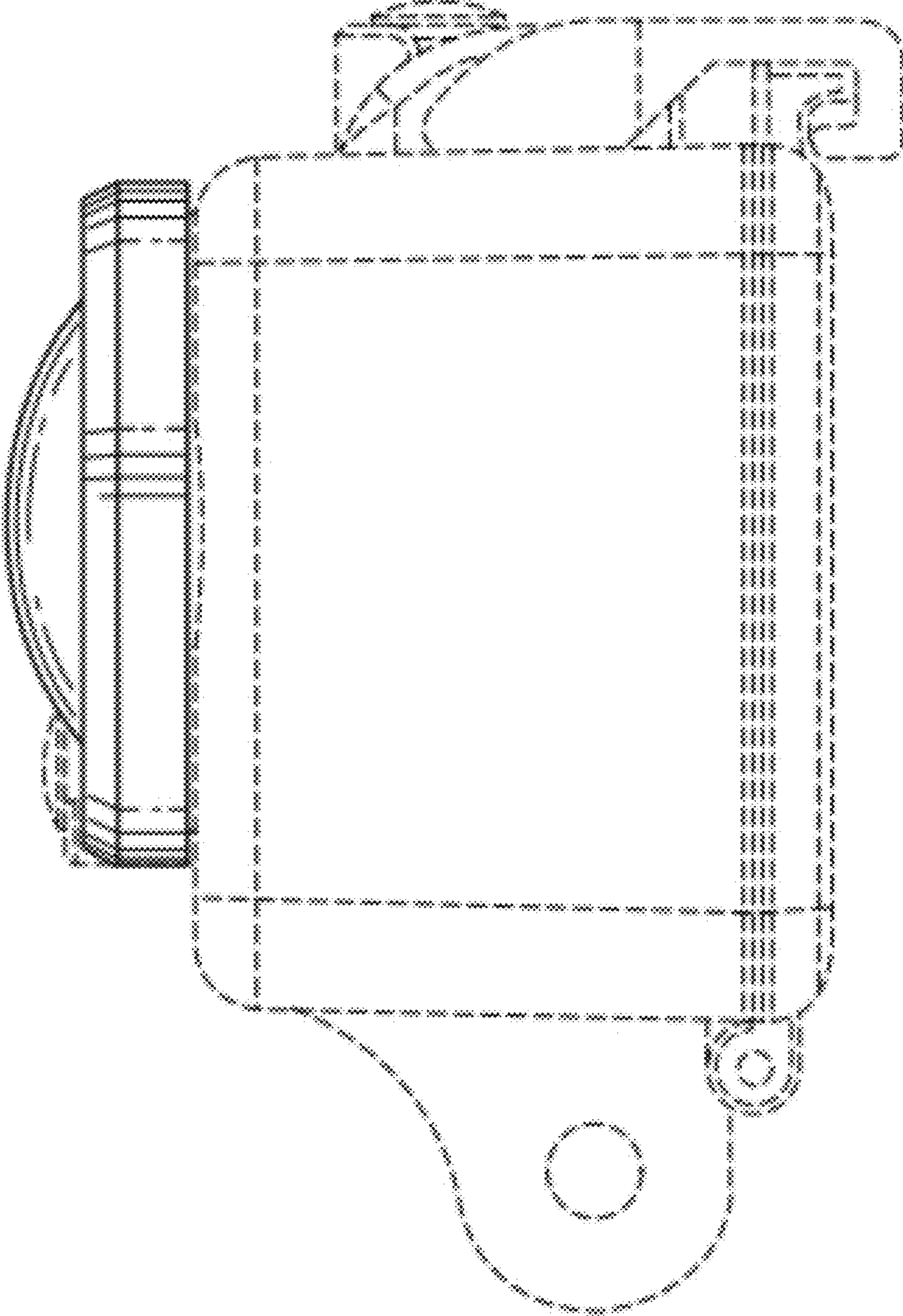


FIG. 3

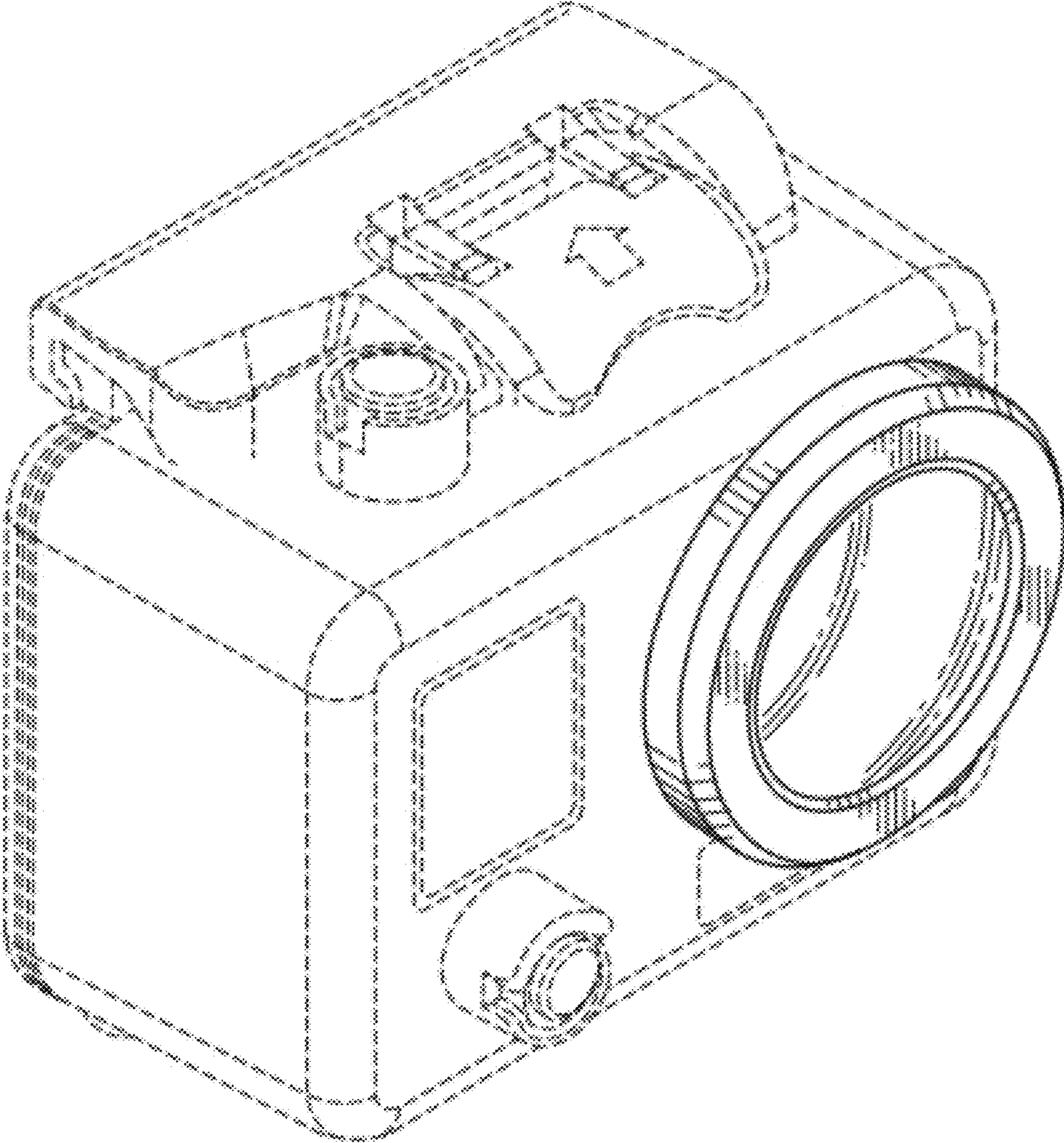


FIG. 4

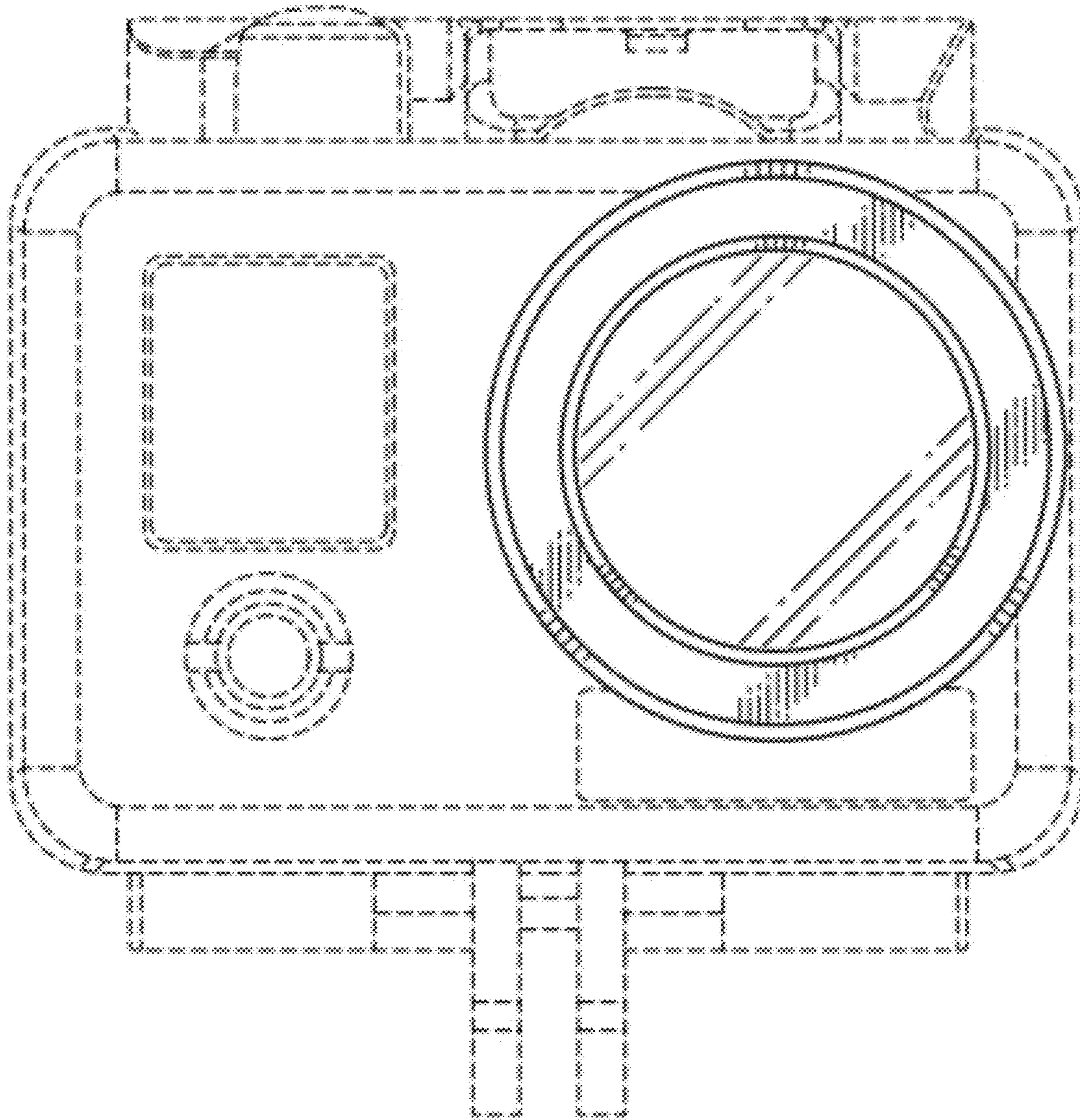


FIG. 5

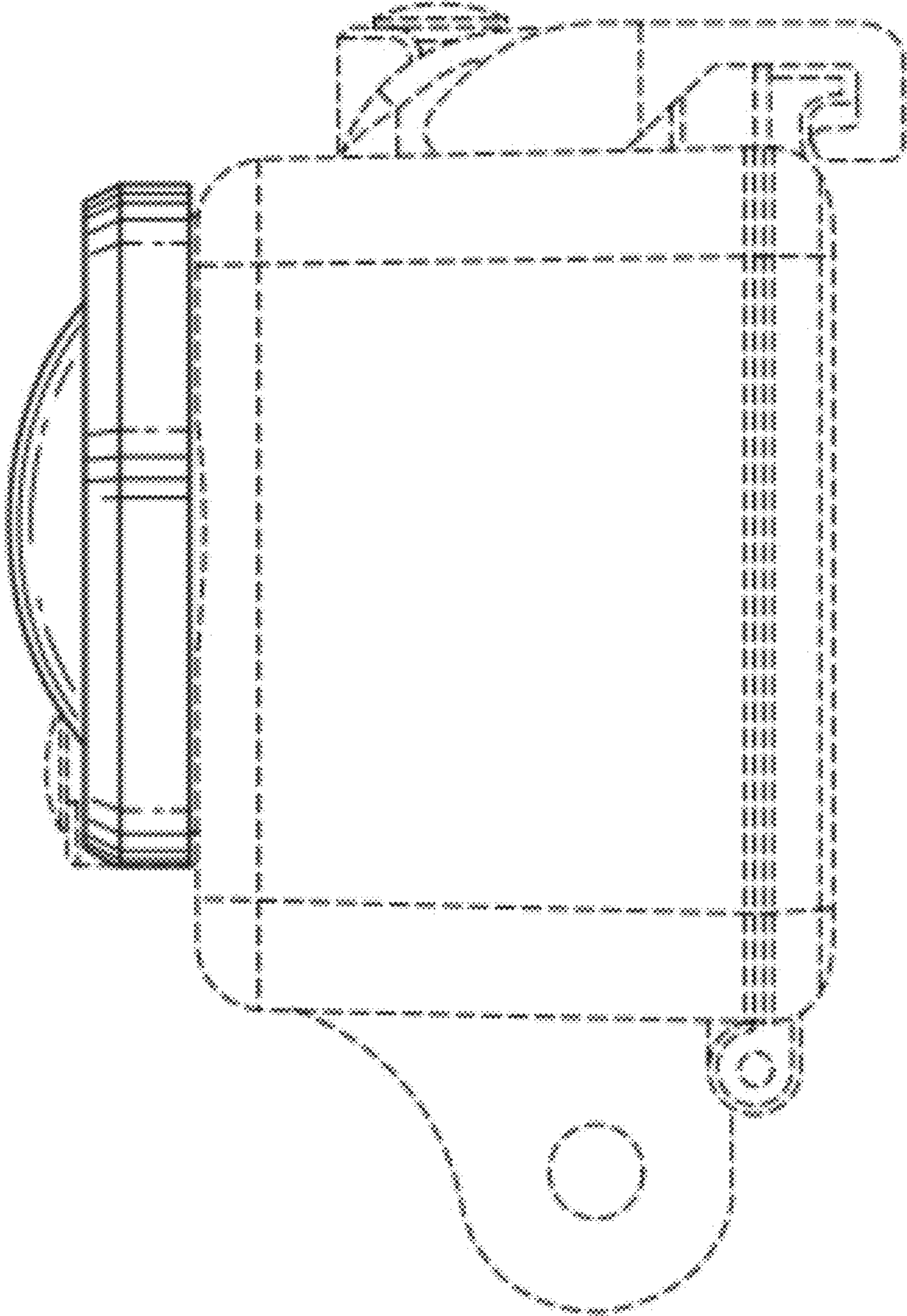


FIG. 6

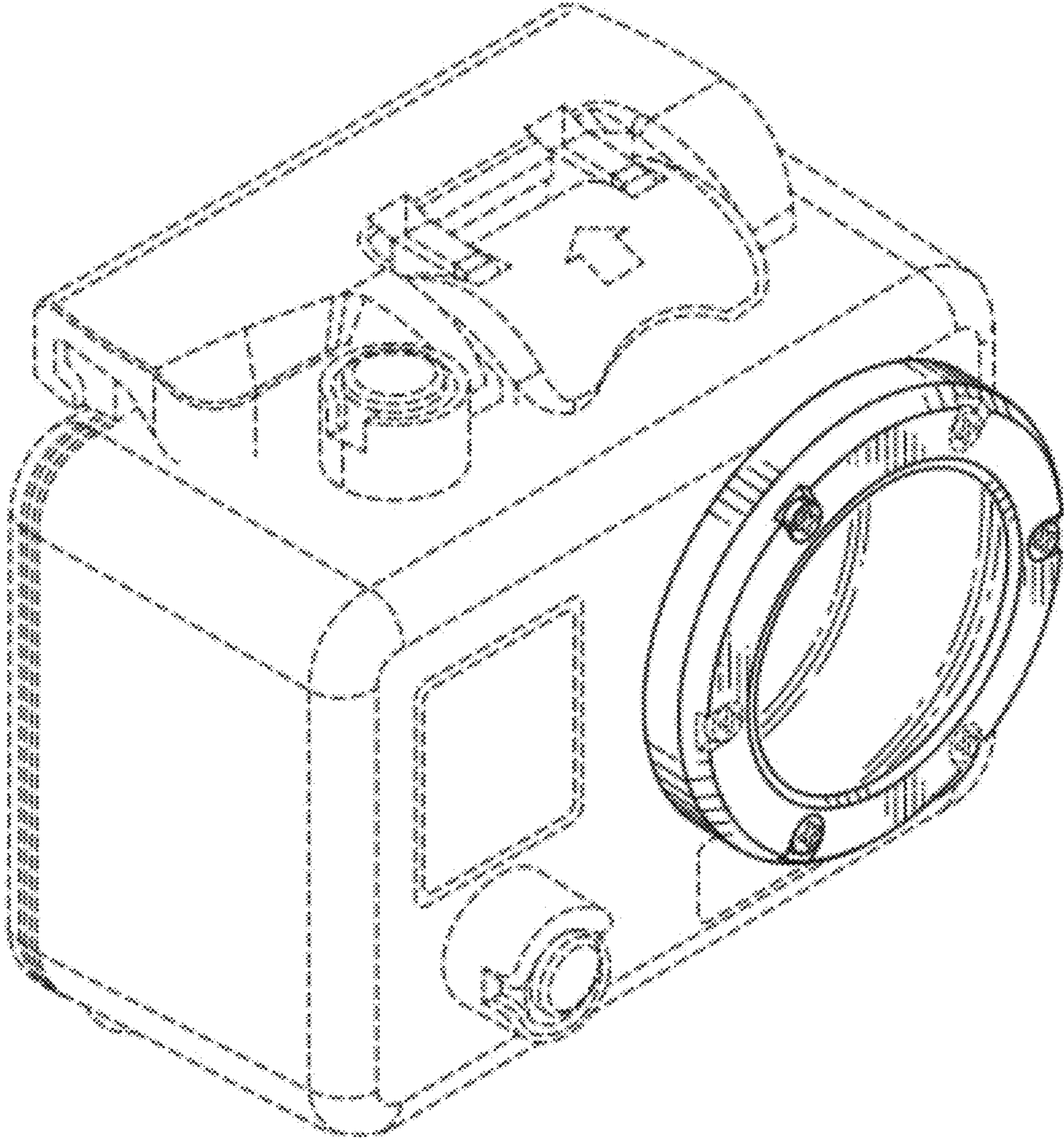


FIG. 7

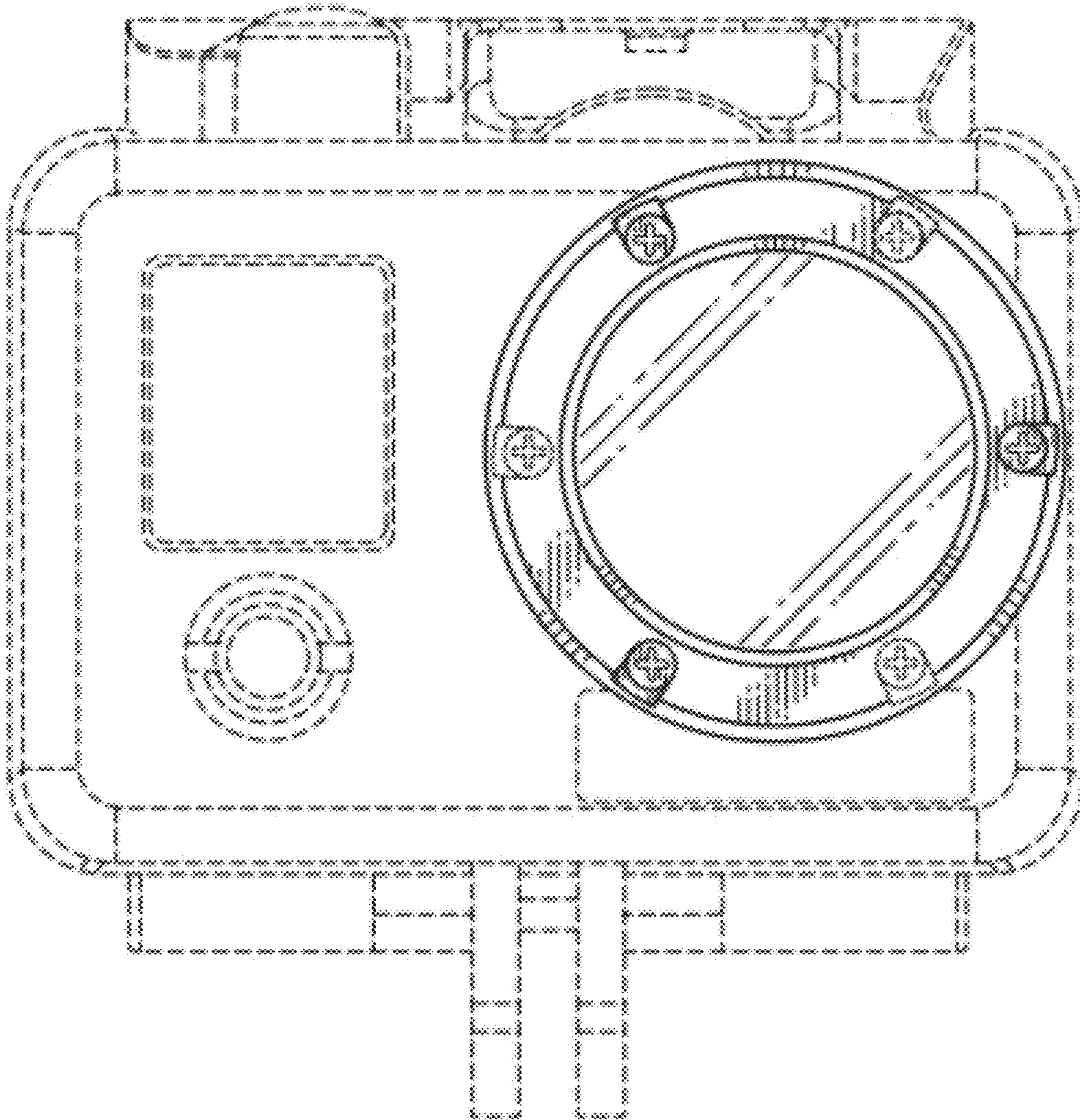


FIG. 8

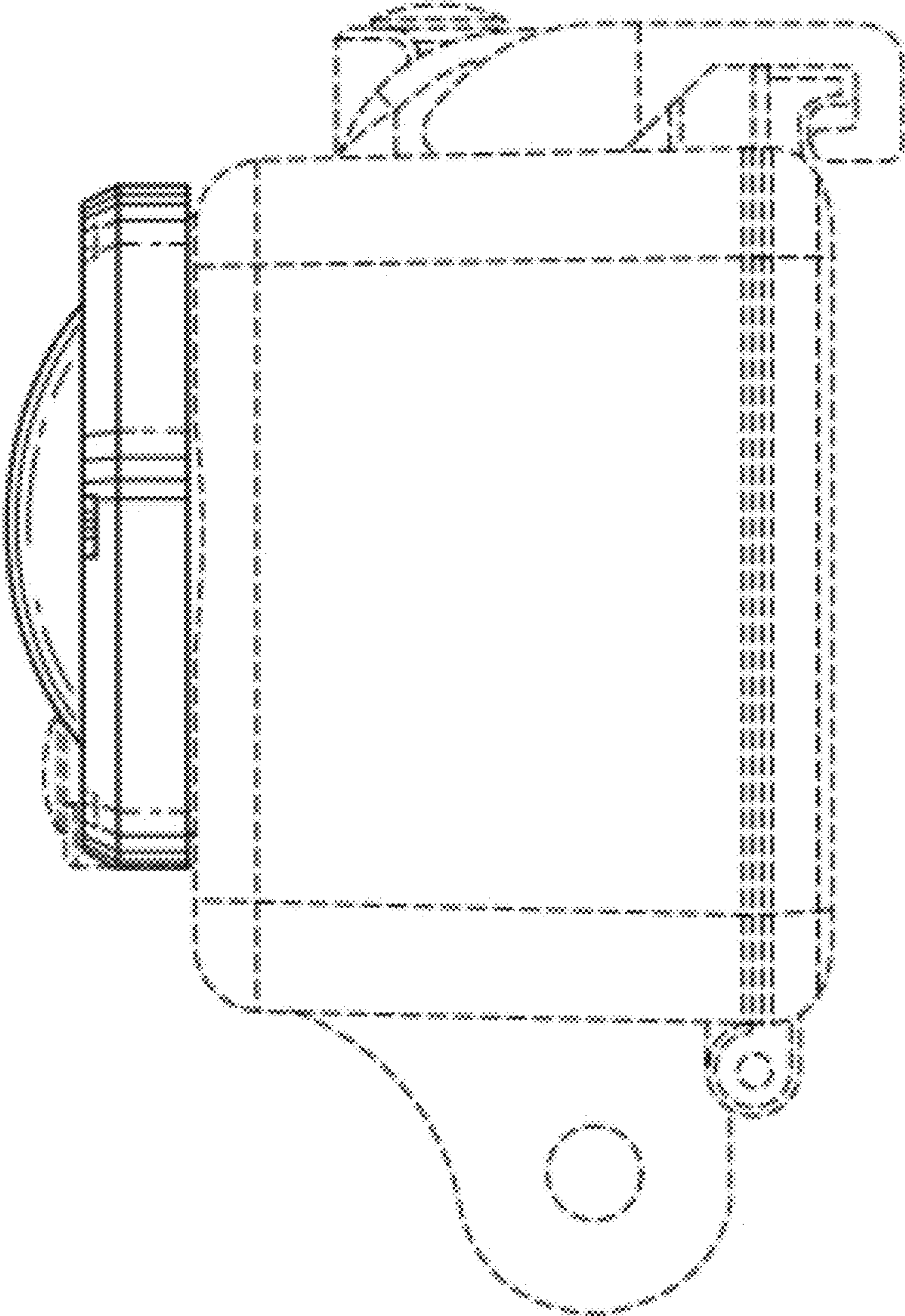


FIG. 9

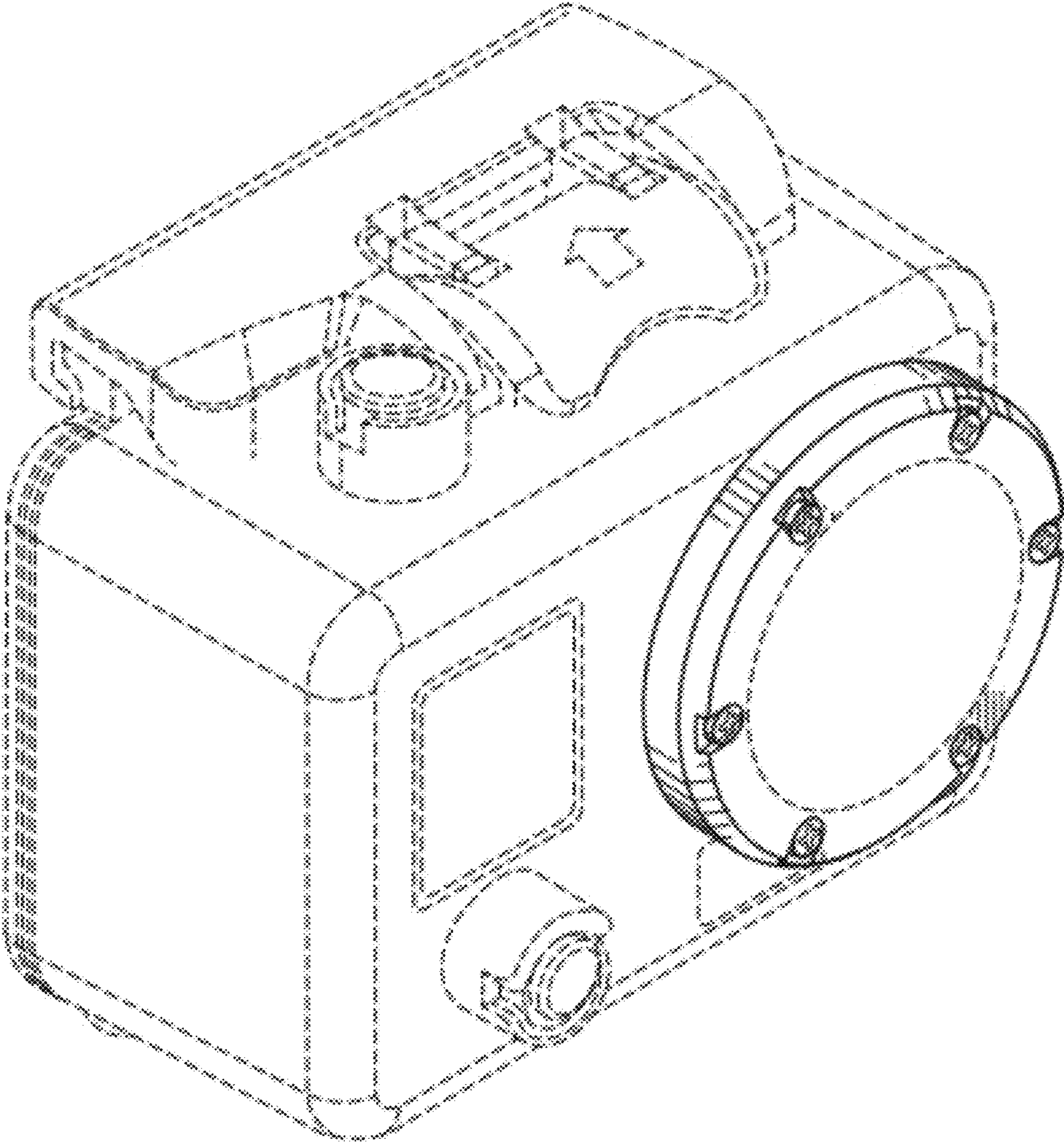


FIG. 10

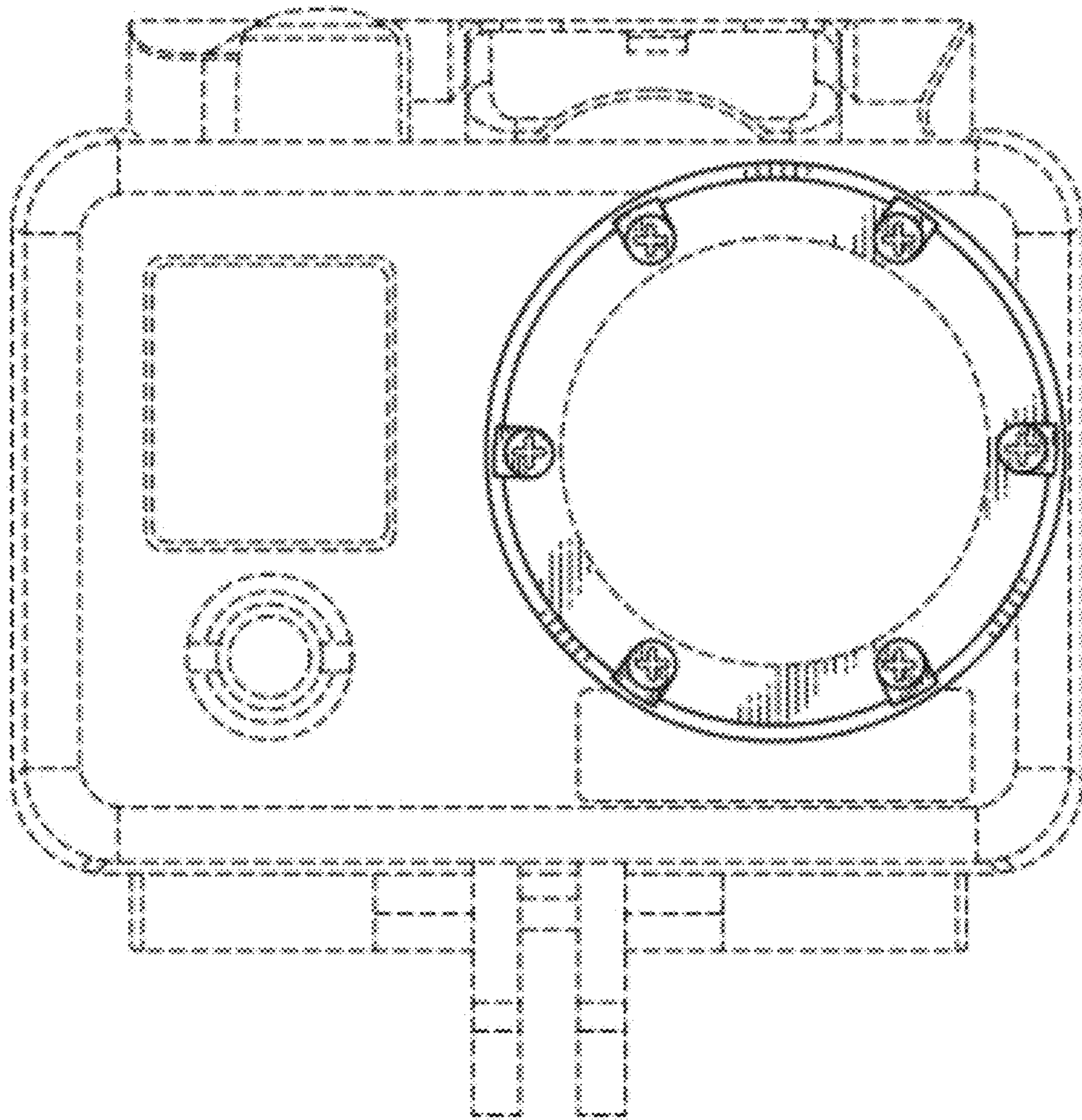


FIG. 11

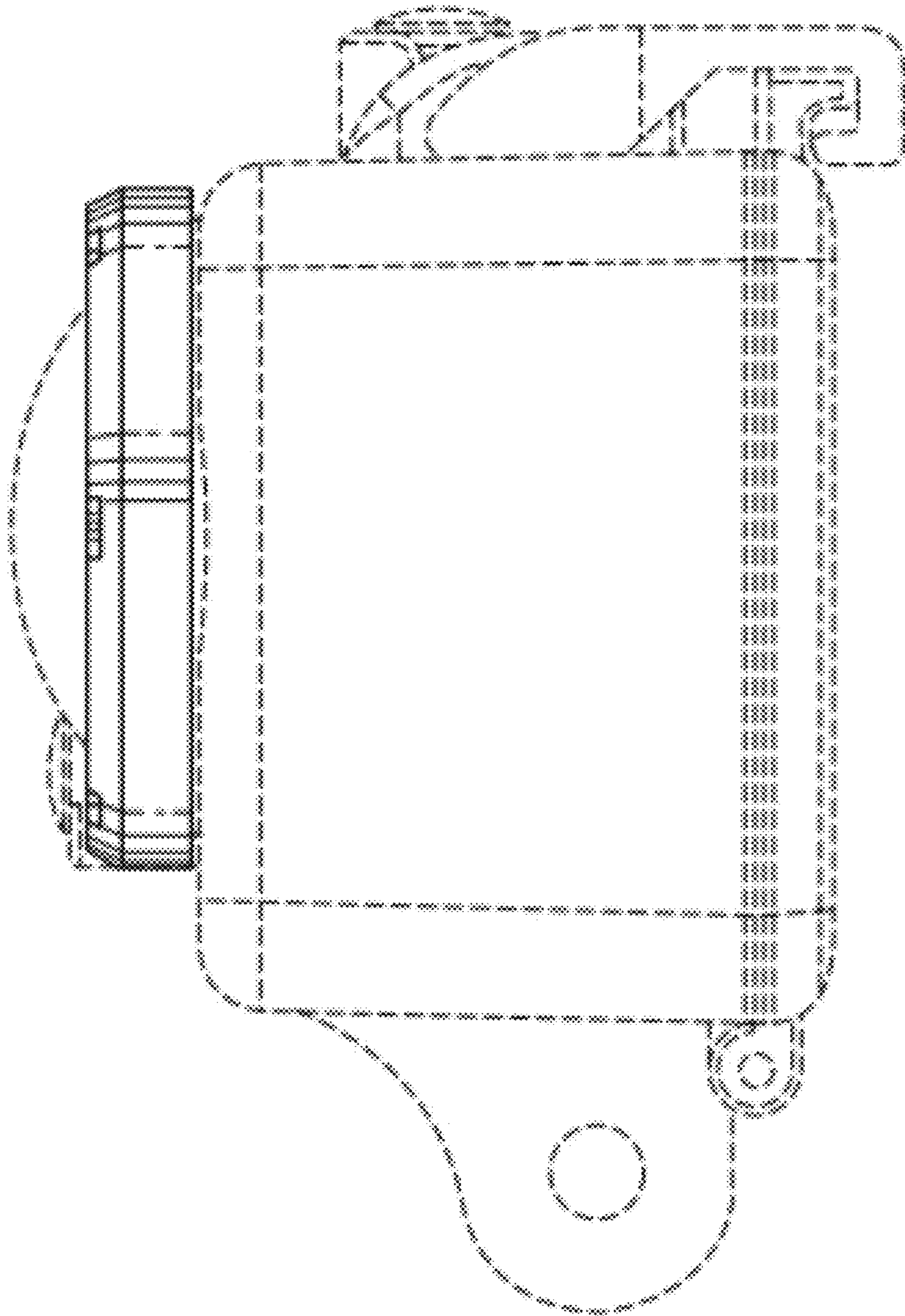


FIG. 12

UNITED STATES PATENT AND TRADEMARK OFFICE
CERTIFICATE OF CORRECTION

PATENT NO. : D657,811 S
APPLICATION NO. : 29/398309
DATED : April 17, 2012
INVENTOR(S) : Nicholas D. Woodman

Page 1 of 1

It is certified that error appears in the above-identified patent and that said Letters Patent is hereby corrected as shown below:

On the face page under Description for FIG. 1, after “front” insert --,--.

Signed and Sealed this
Tenth Day of July, 2012

A handwritten signature in black ink that reads "David J. Kappos". The signature is written in a cursive, slightly slanted style.

David J. Kappos
Director of the United States Patent and Trademark Office