

US00D657809S

(12) **United States Design Patent**  
**Harden et al.**

(10) **Patent No.:** **US D657,809 S**  
(45) **Date of Patent:** **\*\* Apr. 17, 2012**

(54) **CAMERA ASSEMBLY**

(75) Inventors: **Daniel K. Harden**, Palo Alto, CA (US);  
**Christopher L. Whittall**, Los Gatos, CA  
(US); **J. Gerson Goldberg**, Menlo Park,  
CA (US); **Mickey C. Makay**, Santa  
Clara, CA (US); **Andrew R. Church**,  
Oakland, CA (US)

(73) Assignee: **Cisco Technology, Inc.**, San Jose, CA  
(US)

(\*\*) Term: **14 Years**

(21) Appl. No.: **29/352,371**

(22) Filed: **Dec. 19, 2009**

(51) **LOC (9) Cl.** ..... **16-01**

(52) **U.S. Cl.** ..... **D16/202**

(58) **Field of Classification Search** ..... D16/200–204,  
D16/208, 218, 219, 227, 229; 348/333.01,  
348/373–376; 358/906; 396/533–541

See application file for complete search history.

(56) **References Cited**

U.S. PATENT DOCUMENTS

D183,462 S *	9/1958	Maiershofer	.....	D16/227
D210,668 S	4/1968	Janda		
D297,009 S	8/1988	Grambush et al.		
D298,751 S	11/1988	Shin		
D326,449 S	5/1992	Wachob et al.		
D348,062 S	6/1994	Iseli et al.		
D348,667 S	7/1994	Oksman et al.		
D352,282 S	11/1994	Toh et al.		
D365,102 S	12/1995	Gioscia		
D367,061 S	2/1996	Davison		
D368,892 S	4/1996	Tanaka		
D369,163 S	4/1996	Leung et al.		
D369,358 S	4/1996	Estevez-Alcolado et al.		
D381,634 S	7/1997	Yanku		
D381,670 S *	7/1997	Priestman et al.	.....	D16/218
D385,263 S	10/1997	Taylor		
D385,541 S	10/1997	Taylor		
D394,266 S	5/1998	Hogenbirk		
D395,281 S	6/1998	Waldner		

D395,312 S	6/1998	Parsadayan et al.
D406,142 S	2/1999	Meurer
D407,703 S	4/1999	Stokes
D412,168 S	7/1999	Phillips et al.
D416,016 S	11/1999	Hughes et al.
D423,509 S	4/2000	Park
6,049,192 A	4/2000	Kfoury et al.
D426,232 S	6/2000	Silbermann et al.
D426,808 S	6/2000	Hsiao
D427,966 S	7/2000	Foster et al.

(Continued)

FOREIGN PATENT DOCUMENTS

EP 1221725-0001 6/2010

(Continued)

OTHER PUBLICATIONS

U.S. Appl. No. 29/363,157, filed Jun. 4, 2010, entitled "Handset,"  
Inventor(s): Daniel K. Harden et al.

(Continued)

*Primary Examiner* — Nanda Bondade

(74) *Attorney, Agent, or Firm* — Patent Capital Group

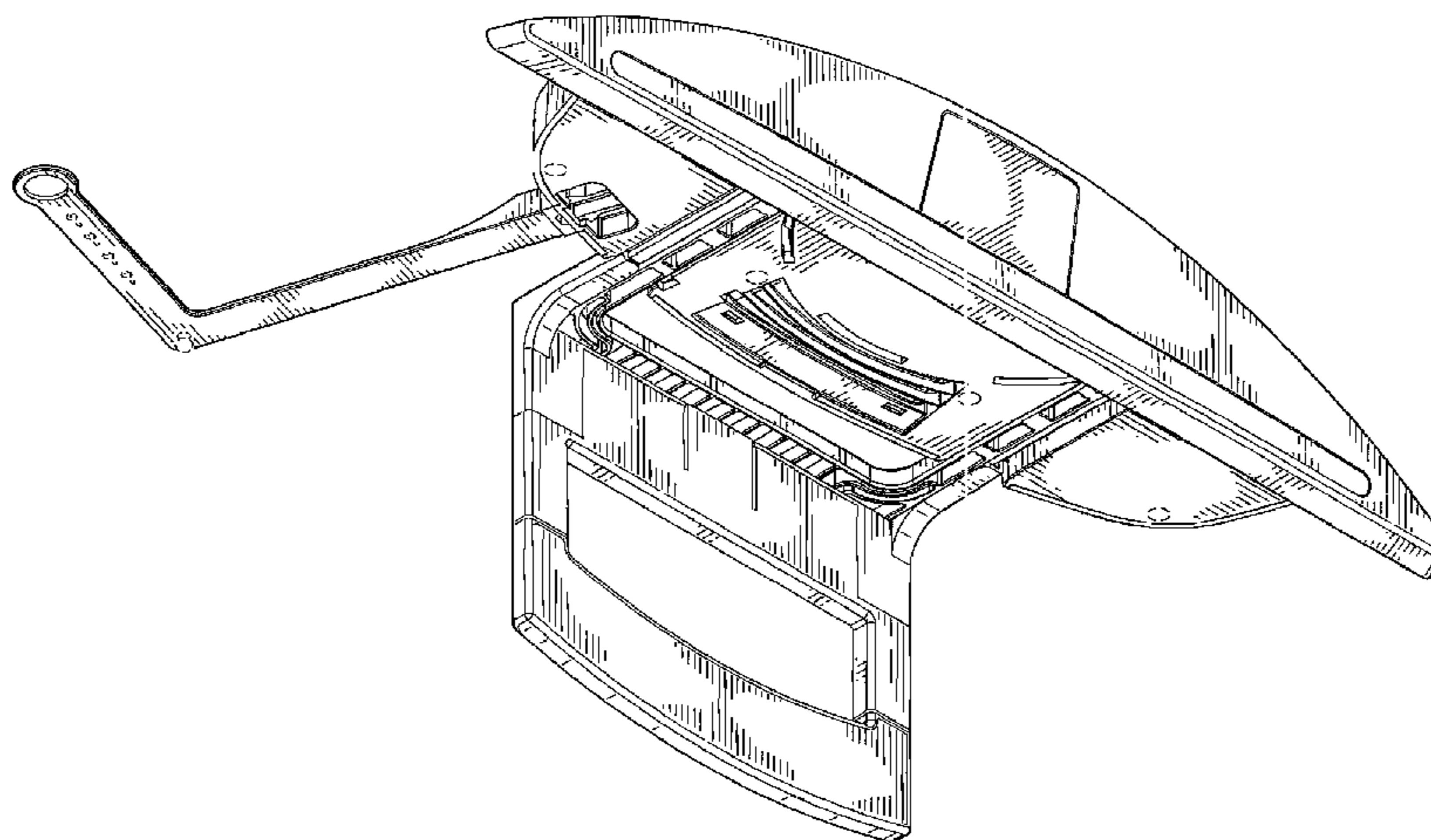
(57) **CLAIM**

The ornamental design for a camera assembly, as shown and described.

**DESCRIPTION**

FIG. 1 is a top perspective view of a camera assembly design;  
FIG. 2 is front elevational view thereof;  
FIG. 3 is a rear elevational view thereof;  
FIG. 4 is a side elevational view thereof;  
FIG. 5 is a another side elevational view thereof;  
FIG. 6 is a top plan view thereof;  
FIG. 7 is a bottom plan view thereof; and,  
FIG. 8 is a bottom perspective view thereof.  
The broken line showing on the drawing disclosure is for illustrative purposes only and forms no part of the claimed design.

**1 Claim, 7 Drawing Sheets**



U.S. PATENT DOCUMENTS

D430,861 S 9/2000 Lytel  
 D436,588 S 1/2001 Nakayama et al.  
 D437,310 S 2/2001 Gioscia  
 D438,188 S 2/2001 Peiker  
 D451,498 S 12/2001 Rossel  
 D454,332 S 3/2002 Yokoyama  
 D458,250 S 6/2002 Kim et al.  
 D458,915 S 6/2002 Shintani  
 D459,332 S 6/2002 Peiker  
 D472,235 S 3/2003 Chen  
 D473,220 S 4/2003 Smith et al.  
 D473,550 S 4/2003 Ribeiro et al.  
 D474,455 S 5/2003 Arbisi  
 D475,346 S 6/2003 McCurrach et al.  
 D478,074 S 8/2003 Lam  
 D478,324 S 8/2003 O'Neil  
 D480,375 S 10/2003 Cebe et al.  
 D481,032 S 10/2003 Sinclair  
 6,633,641 B1 10/2003 Mushika et al.  
 D483,353 S 12/2003 Hyogo  
 D485,827 S 1/2004 Olson et al.  
 D485,828 S 1/2004 Olson et al.  
 D491,922 S 6/2004 Poulet  
 D494,230 S 8/2004 Allen  
 D498,748 S 11/2004 Borsboom  
 D501,205 S 1/2005 Quinn  
 D517,036 S 3/2006 Himmel  
 D517,532 S 3/2006 Chen  
 D524,276 S 7/2006 Kim et al.  
 D524,277 S 7/2006 Surtouc  
 D524,278 S 7/2006 Hsiung  
 D524,281 S 7/2006 Franck et al.  
 D524,298 S 7/2006 Hedderich et al.  
 D531,136 S 10/2006 Schoenert et al.  
 D531,586 S 11/2006 Poulet  
 D531,963 S 11/2006 Tajima  
 D531,964 S 11/2006 Peh  
 D531,993 S 11/2006 Choi et al.  
 D532,775 S 11/2006 Ikeda et al.  
 D534,146 S 12/2006 Stilp et al.  
 D534,502 S 1/2007 Poulet et al.  
 D534,519 S 1/2007 Stilp et al.  
 D535,276 S 1/2007 Franck et al.  
 D538,788 S 3/2007 Reimann et al.  
 D541,245 S 4/2007 Fiorio  
 D541,261 S 4/2007 Ikeda et al.  
 D541,786 S 5/2007 Ookawa  
 D542,765 S 5/2007 Cho et al.  
 D546,807 S 7/2007 Lee  
 D550,211 S 9/2007 Ikeda et al.  
 D558,707 S 1/2008 Travis et al.  
 D559,202 S 1/2008 Sim et al.  
 D563,948 S 3/2008 d'Hoore  
 D566,667 S 4/2008 Whittaker et al.  
 D566,668 S 4/2008 Whittaker et al.  
 D569,823 S 5/2008 Lyles et al.  
 D571,743 S 6/2008 Tu  
 D573,971 S 7/2008 Hikino et al.  
 D573,982 S 7/2008 Monsky  
 D574,355 S 8/2008 Okawa et al.  
 D575,316 S 8/2008 Liu et al.

D577,693 S 9/2008 King et al.  
 D579,871 S 11/2008 Hsiao  
 D583,366 S 12/2008 Chen  
 D587,707 S 3/2009 Maiers et al.  
 D590,395 S 4/2009 Heggkand  
 D597,059 S 7/2009 Haspil et al.  
 D598,408 S 8/2009 Arnold  
 D598,436 S 8/2009 Tseng  
 D600,736 S \* 9/2009 Zen ..... D16/242  
 D605,634 S 12/2009 Lewis et al.  
 D606,034 S 12/2009 Suzuki  
 D607,432 S 1/2010 Waterman et al.  
 D611,462 S 3/2010 McGuire  
 D615,958 S 5/2010 Tkachuk et al.  
 D618,217 S 6/2010 Harden et al.  
 D618,657 S 6/2010 Sakamoto  
 D618,658 S 6/2010 Sakamoto et al.  
 D623,641 S 9/2010 Harden et al.  
 D633,893 S 3/2011 Harden et al.  
 D634,726 S 3/2011 Harden et al.  
 D636,761 S 4/2011 Hansen et al.  
 2008/0204978 A1 8/2008 Haspil et al.

FOREIGN PATENT DOCUMENTS

EP 1221725-0002 6/2010  
 EP 1221725-0003 6/2010  
 WO DM/068600 2/2007

OTHER PUBLICATIONS

U.S. Appl. No. 29/363,160, filed Jun. 4, 2010, entitled "Handset,"  
 Inventor(s): Daniel K. Harden et al.  
 Panasonic KX-TGA6708, <URL:http://www.101phones.com/details/1991-229/panasonic-kx-tga670.html>, retrieved from internet Apr. 20, 2010.  
 GE/RCE ViSYS H5450RE3-R, <URL:http://www.101phones.com/details/15753-5126/ge-rca-h5450re3.html>, retrieved from internet Apr. 20, 2010.  
 Cisco Wireless-g lp Phone Sip 1LINE 802.11AG Speakerphone Incl Pwr Supl, <URL:http://www.amazon.com/Cisco-Wireless-g-Phone-802-11AG-Speakerphone/dp/B001F3YIJK/ref=sr\_1\_8?ie=UTF8&s=electronic&qid=1273357442&sr=1-8>, retrieved from internet May 8, 2010.  
 Vtech DS6301, <URL:http://www.101phones.com/details/11797-12287/vtech-ds6301.html>, retrieved from internet May 8, 2010.  
 USPTO Jun. 27, 2011 Notice of Allowance from U.S. Appl. No. 29/363,160.  
 USPTO Jul. 28, 2011 Second Notice of Allowance from U.S. Appl. No. 29/363,160.  
 USPTO Jul. 19, 2011 Non-Final Office Action from U.S. Appl. No. 29/363,157.  
 U.S. Appl. No. 29/352,370, filed Dec. 19, 2009, entitled "Set-Top Unit," Inventor(s): Daniel K. Harden et al.  
 U.S. Appl. No. 29/352,372, filed Dec. 19, 2009, entitled "Handset," Inventor(s): Daniel K. Harden et al.  
 U.S. Appl. No. 29/352,373, filed Dec. 19, 2009, entitled "Cradle Device," Inventor(s): Daniel K. Harden et al.  
 U.S. Appl. No. 29/352,374, filed Dec. 19, 2009, entitled "Handset," Inventor(s): Daniel K. Harden et al.

\* cited by examiner

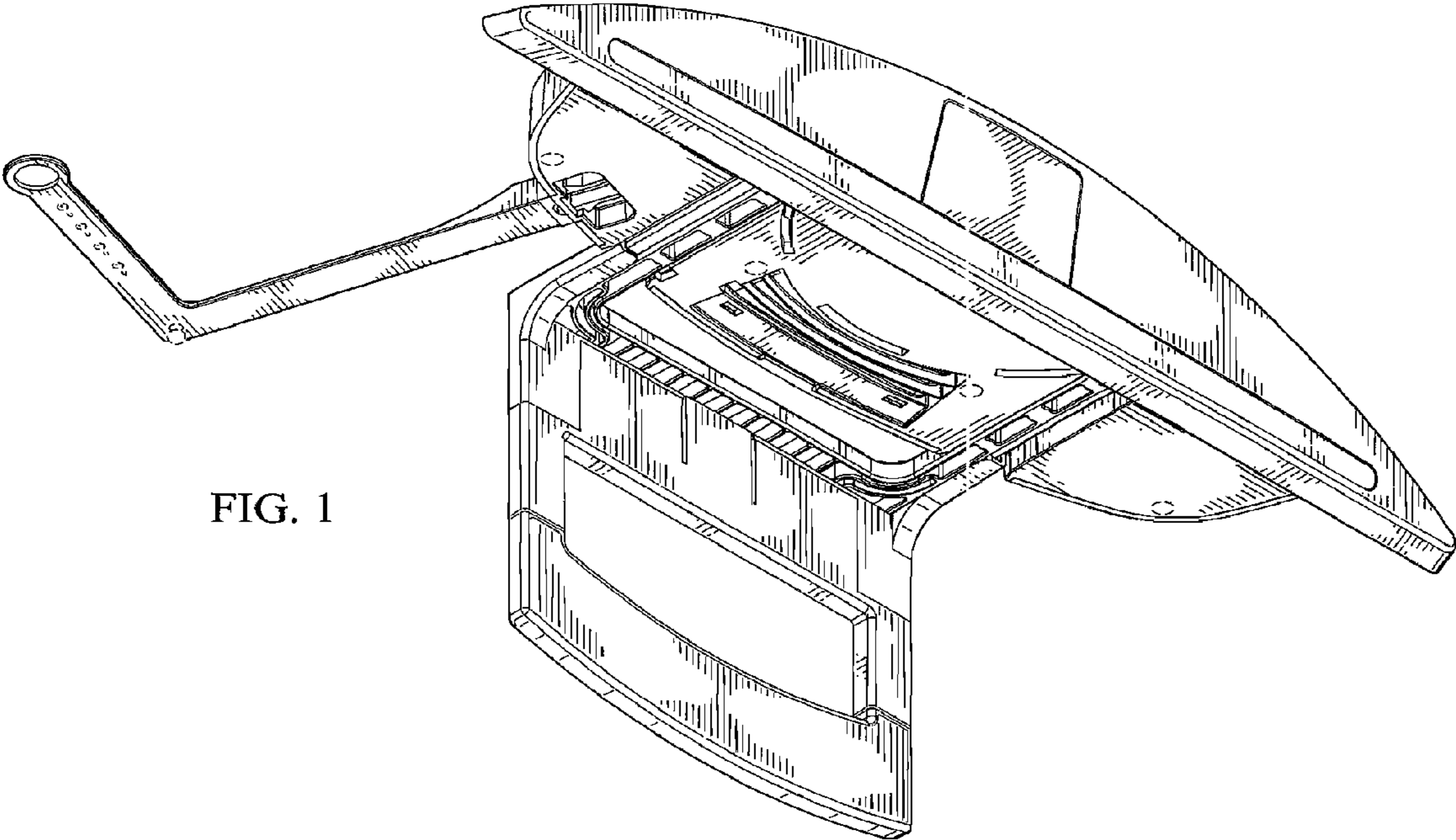


FIG. 1

FIG. 2

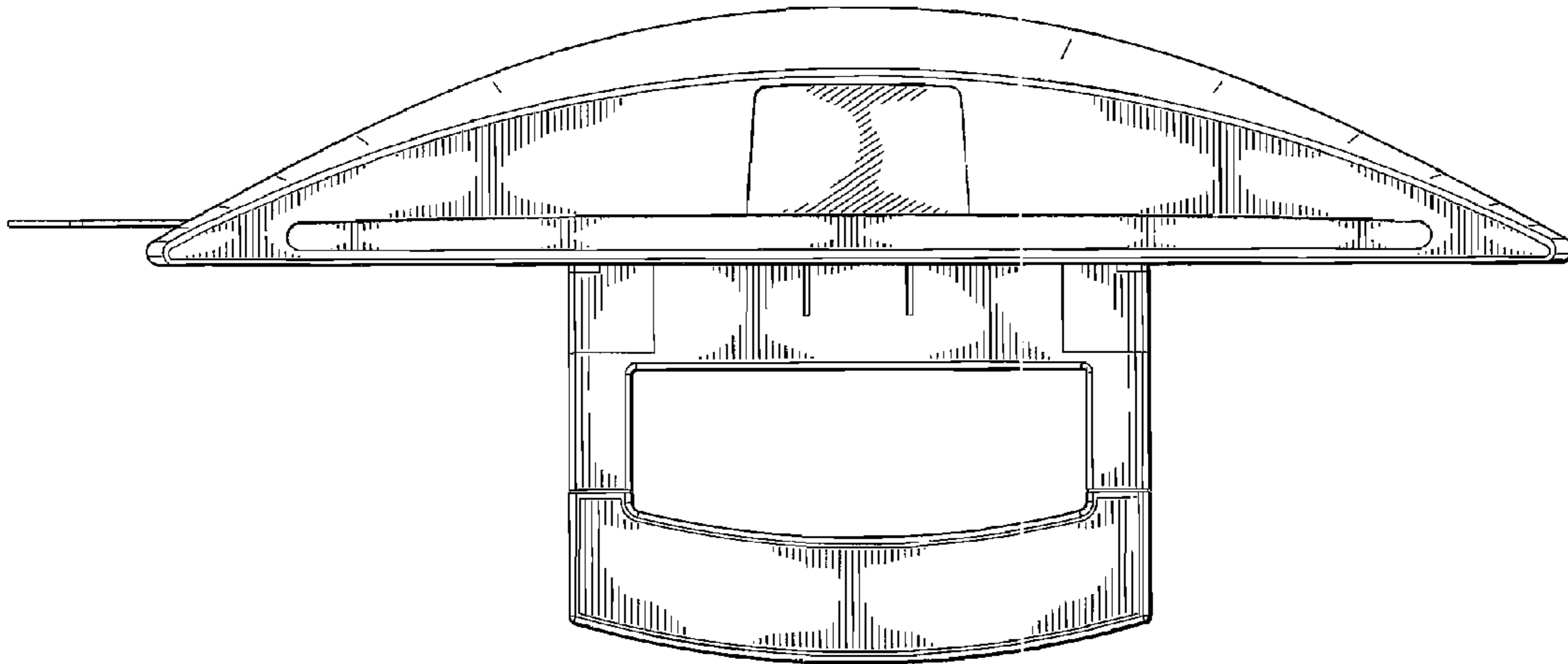


FIG. 3

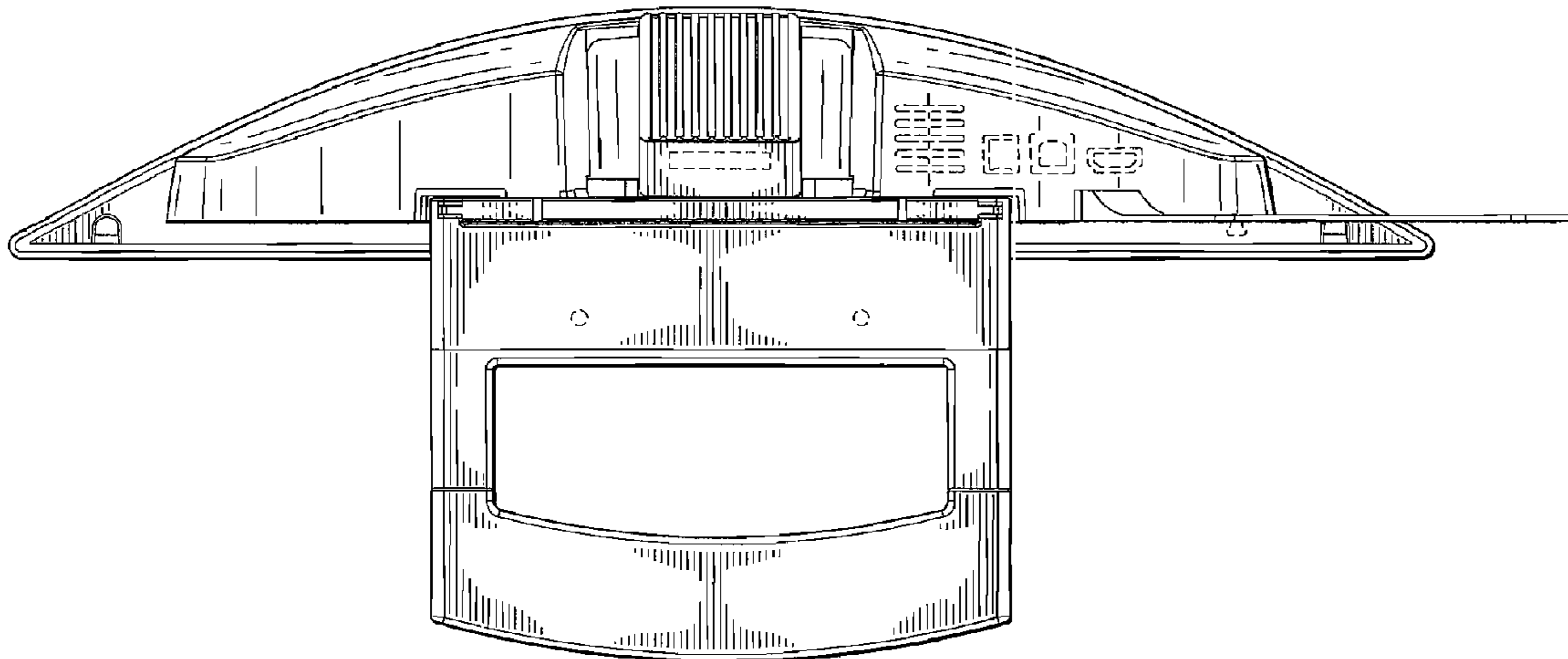


FIG. 4

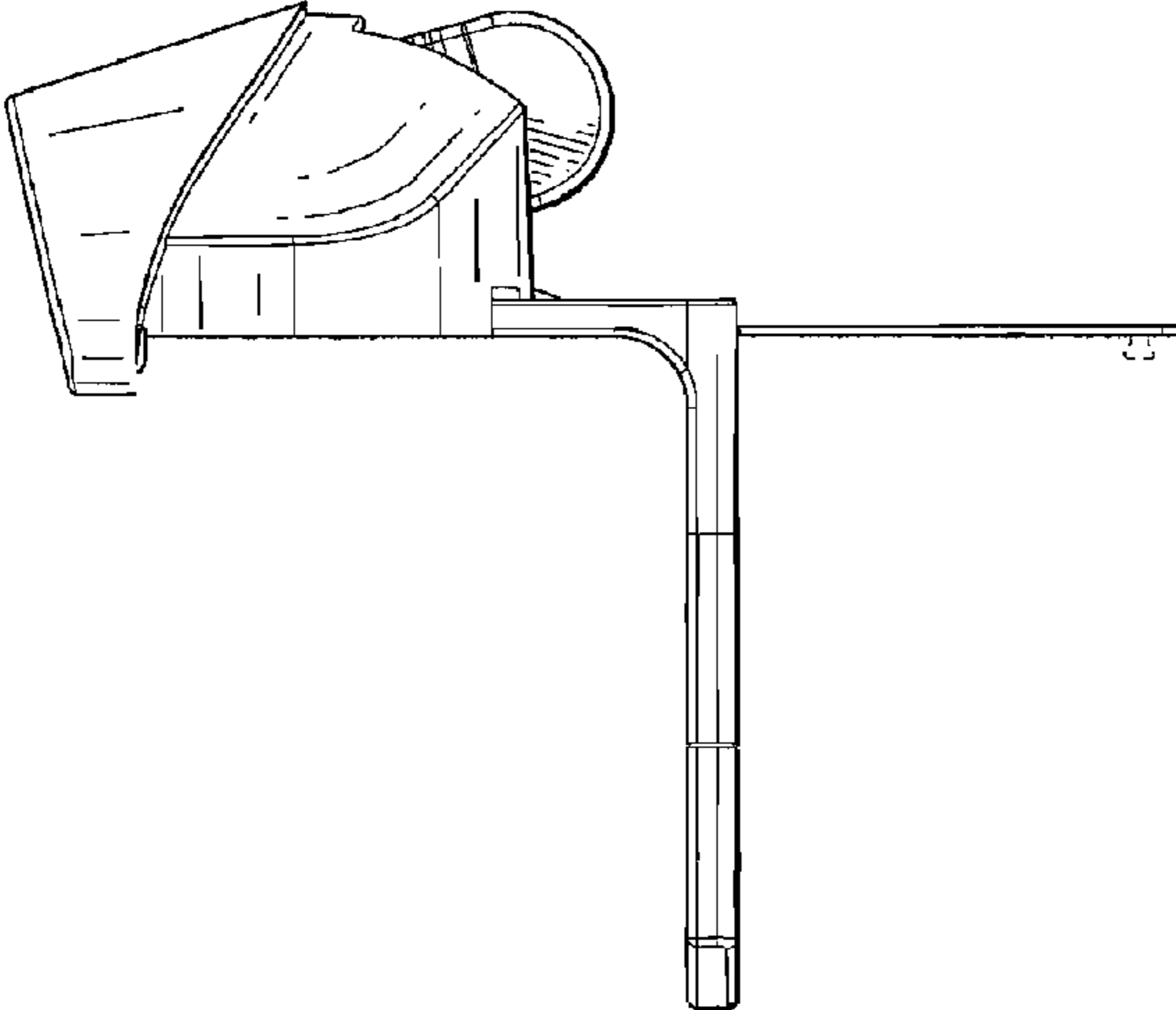
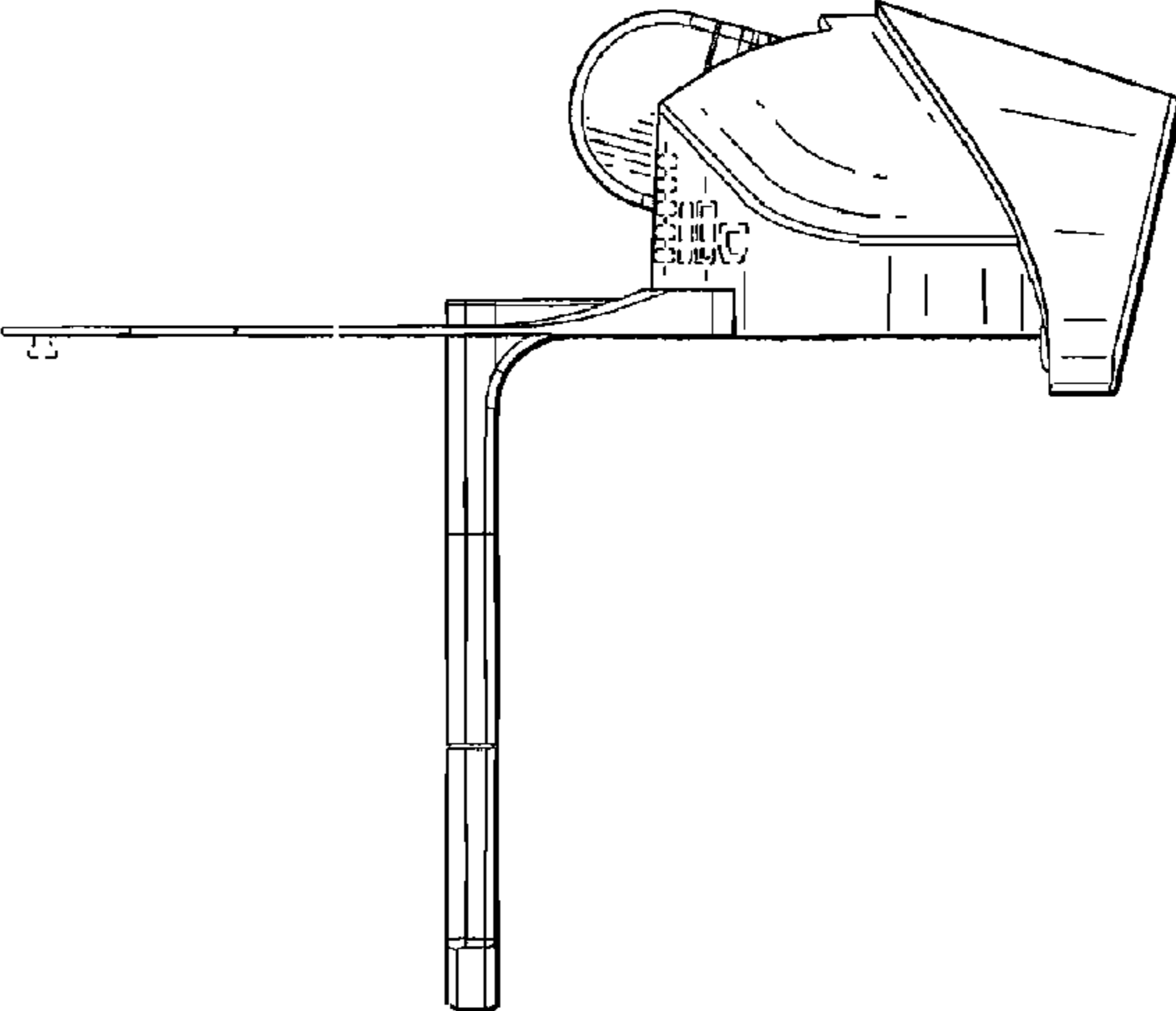


FIG. 5



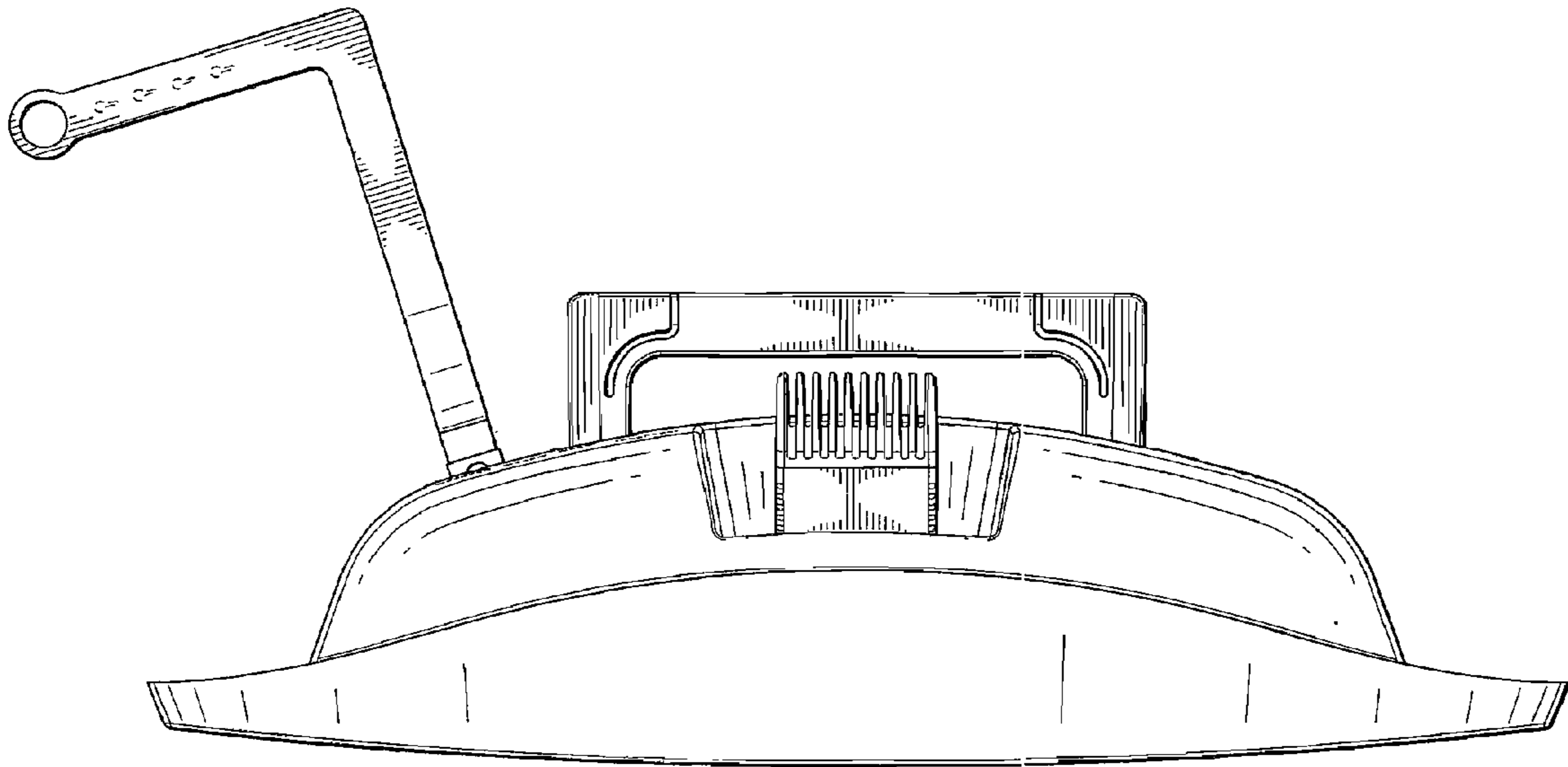
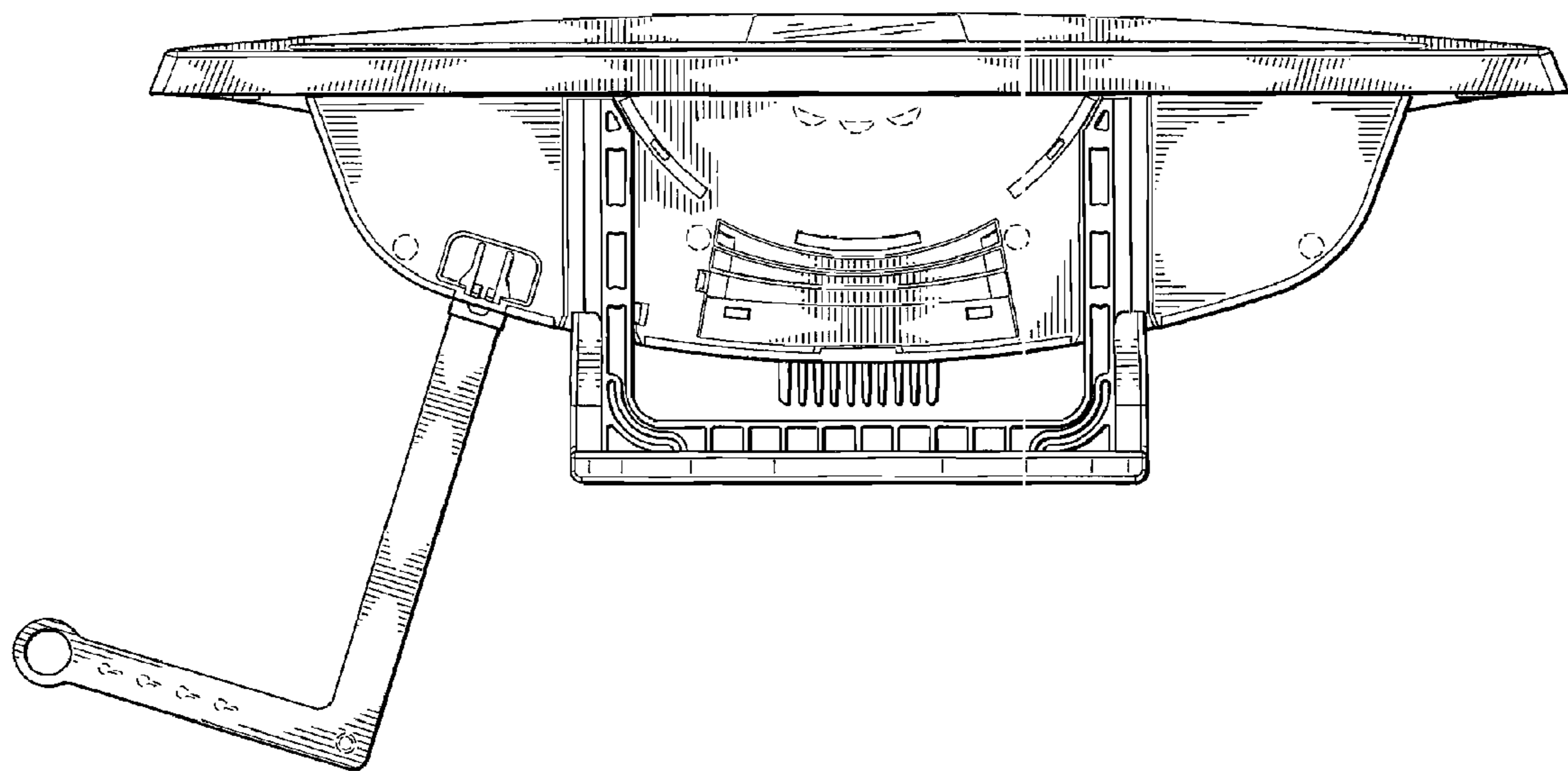


FIG. 6

FIG. 7





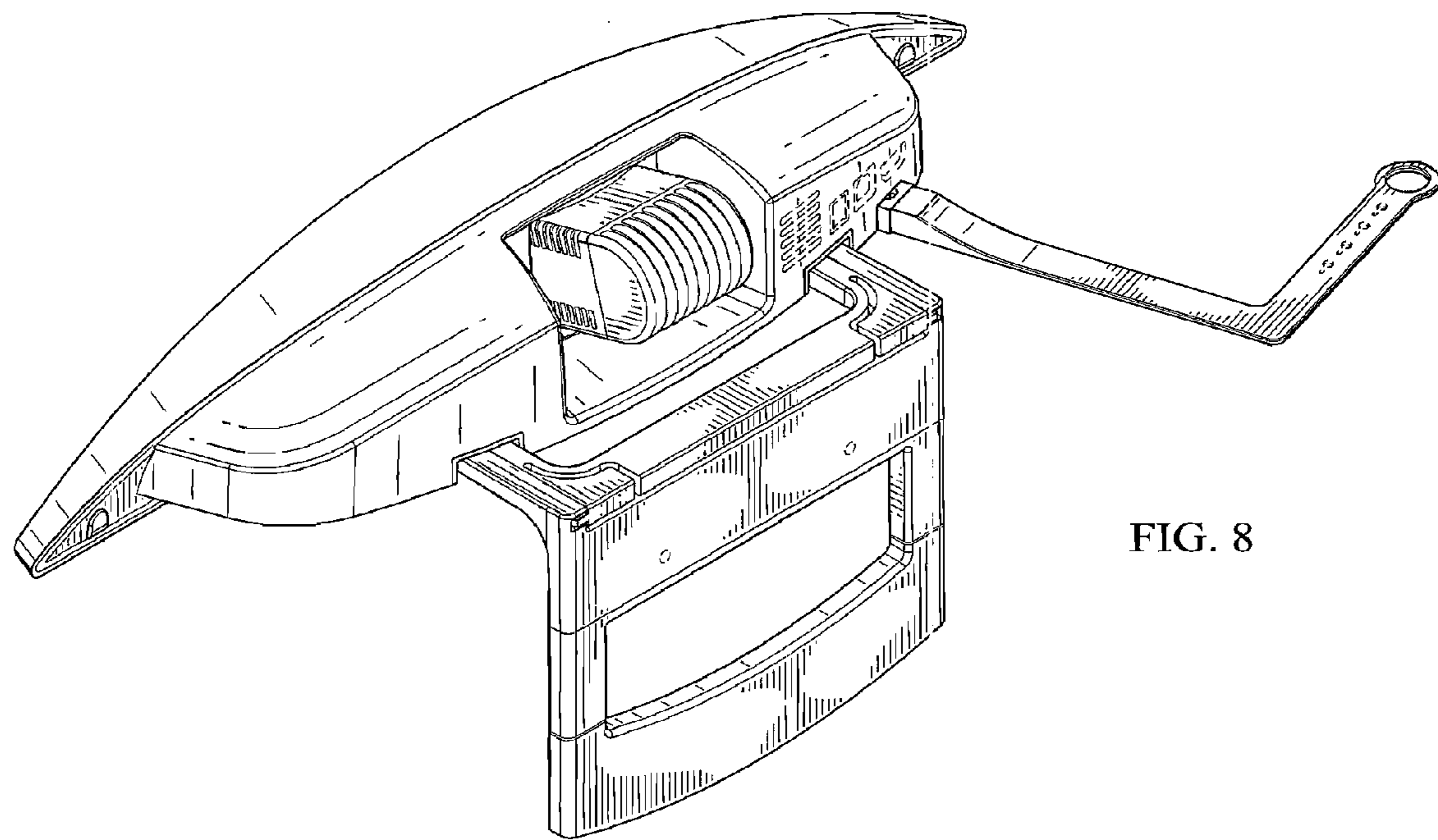


FIG. 8