



US00D657808S

(12) **United States Design Patent**
Woodman

(10) **Patent No.:** **US D657,808 S**
(45) **Date of Patent:** **** Apr. 17, 2012**

(54) **CAMERA HOUSING**

(75) Inventor: **Nicholas D. Woodman**, Sausalito, CA
(US)

(73) Assignee: **Woodman Labs**, Half Moon Bay, CA
(US)

(**) Term: **14 Years**

(21) Appl. No.: **29/398,295**

(22) Filed: **Jul. 28, 2011**

Related U.S. Application Data

(62) Division of application No. 29/342,524, filed on Aug. 26, 2009, now Pat. No. Des. 646,313.

(51) **LOC (9) Cl.** **16-01**

(52) **U.S. Cl.** **D16/200; D16/218**

(58) **Field of Classification Search** D16/200–205,
D16/208, 217, 218, 219; 348/373–376;
396/535–541

See application file for complete search history.

(56) **References Cited**

U.S. PATENT DOCUMENTS

D96,348 S * 7/1935 Teague D16/217
4,646,141 A * 2/1987 Timmermans et al. 348/373

D441,386 S * 5/2001 Yamazaki D16/203
D460,474 S * 7/2002 Gotham et al. D16/219
7,295,388 B2 * 11/2007 Shyu et al. 396/133
D582,955 S * 12/2008 Sekine et al. D16/218
2003/0035052 A1 * 2/2003 Baron D16/200

* cited by examiner

Primary Examiner — Adir Aronovich

(74) *Attorney, Agent, or Firm* — Fenwick & West LLP

(57) **CLAIM**

The ornamental design for a camera housing, as shown and described.

DESCRIPTION

FIG. 1 is a front, top and left side perspective view of a camera housing showing my new design;

FIG. 2 is a front, top and right side perspective view thereof;
FIG. 3 is a front, bottom and left side perspective view thereof;

FIG. 4 is a front, bottom and right side perspective view thereof;

FIG. 5 is front elevational view thereof;

FIG. 6 is a rear elevational view thereof;

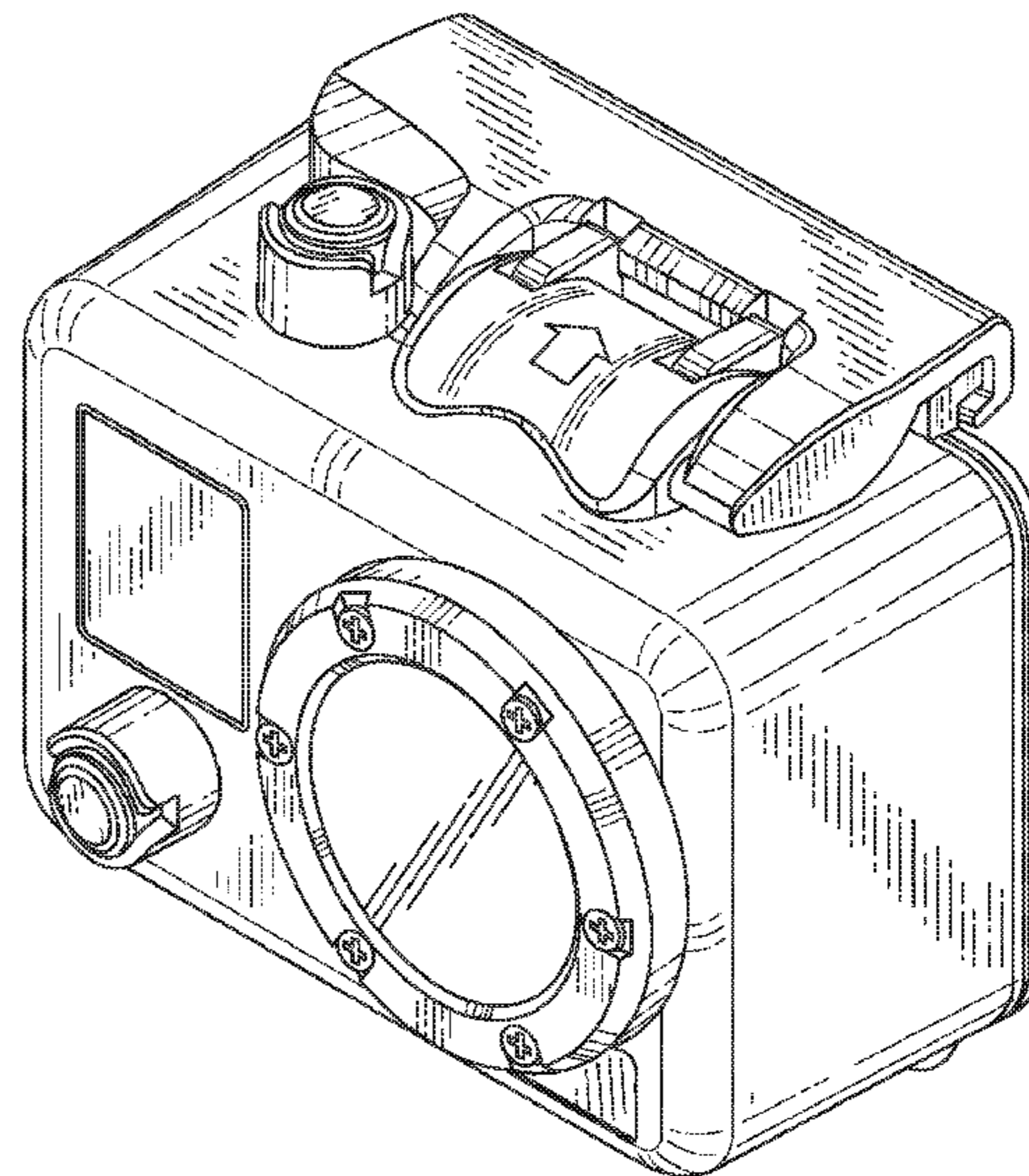
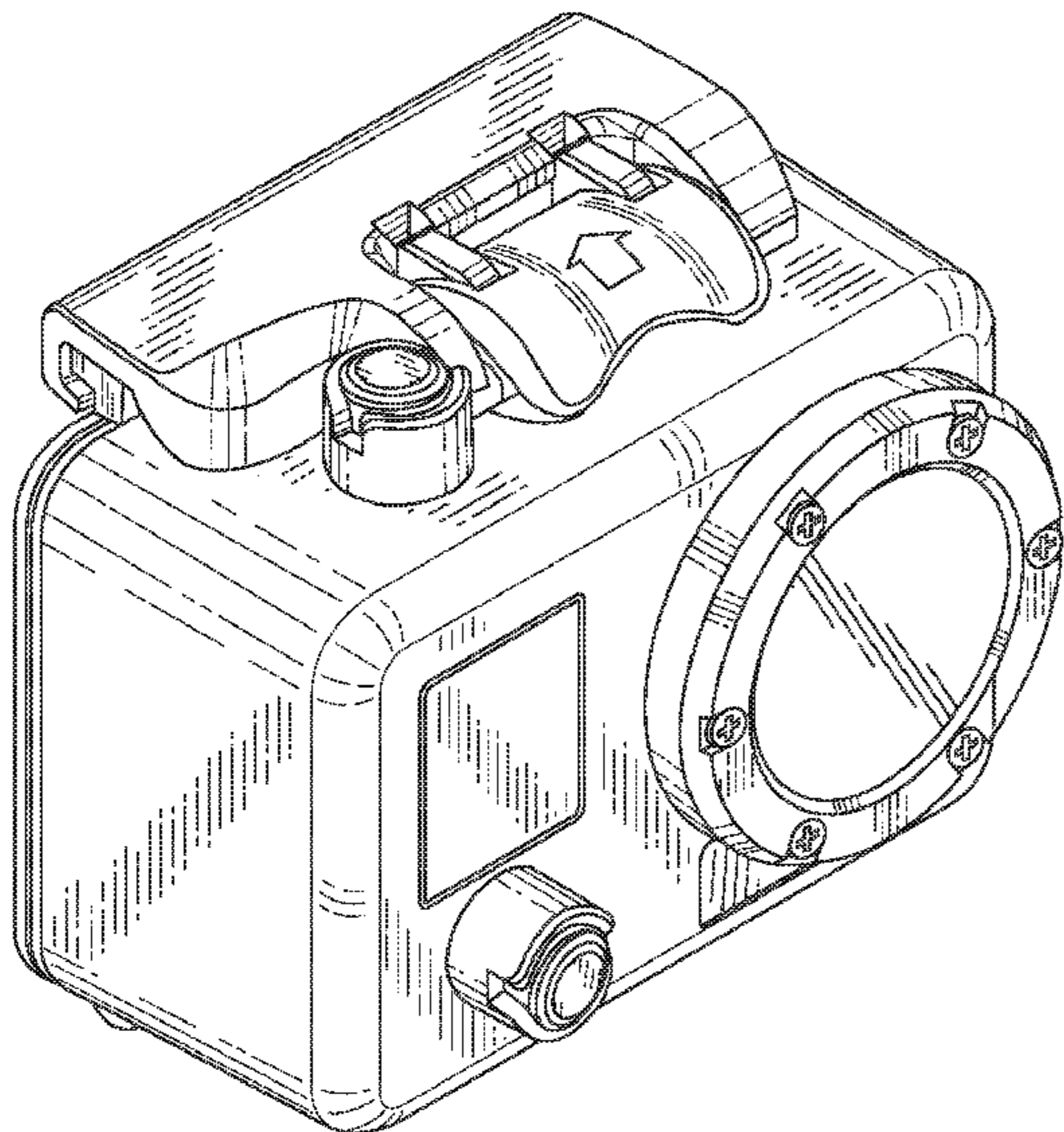
FIG. 7 is a left side elevational view thereof;

FIG. 8 is a right side elevational view thereof;

FIG. 9 is a top plan view thereof; and,

FIG. 10 is a bottom plan view thereof.

1 Claim, 10 Drawing Sheets



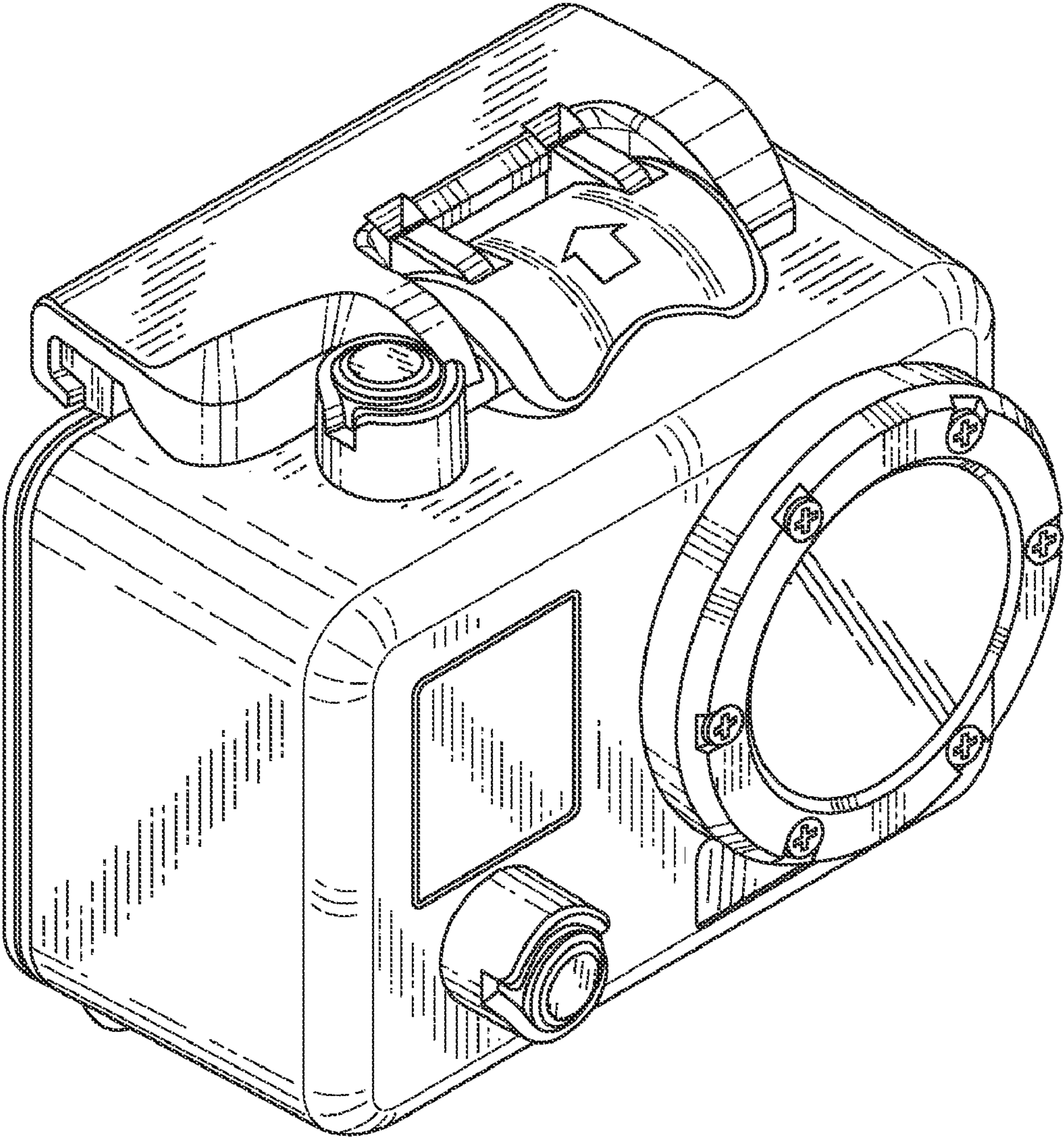


FIG. 1

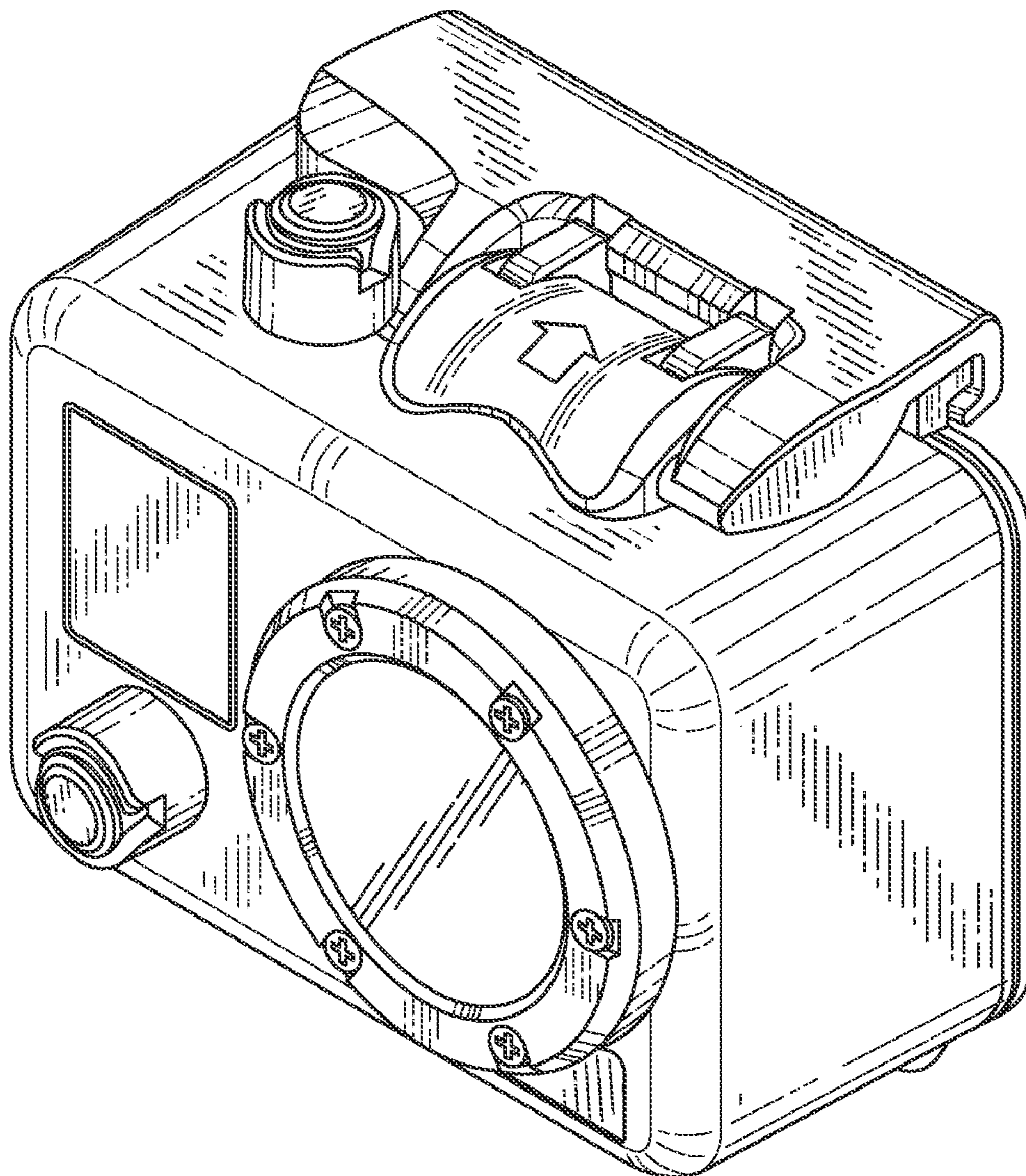


FIG. 2

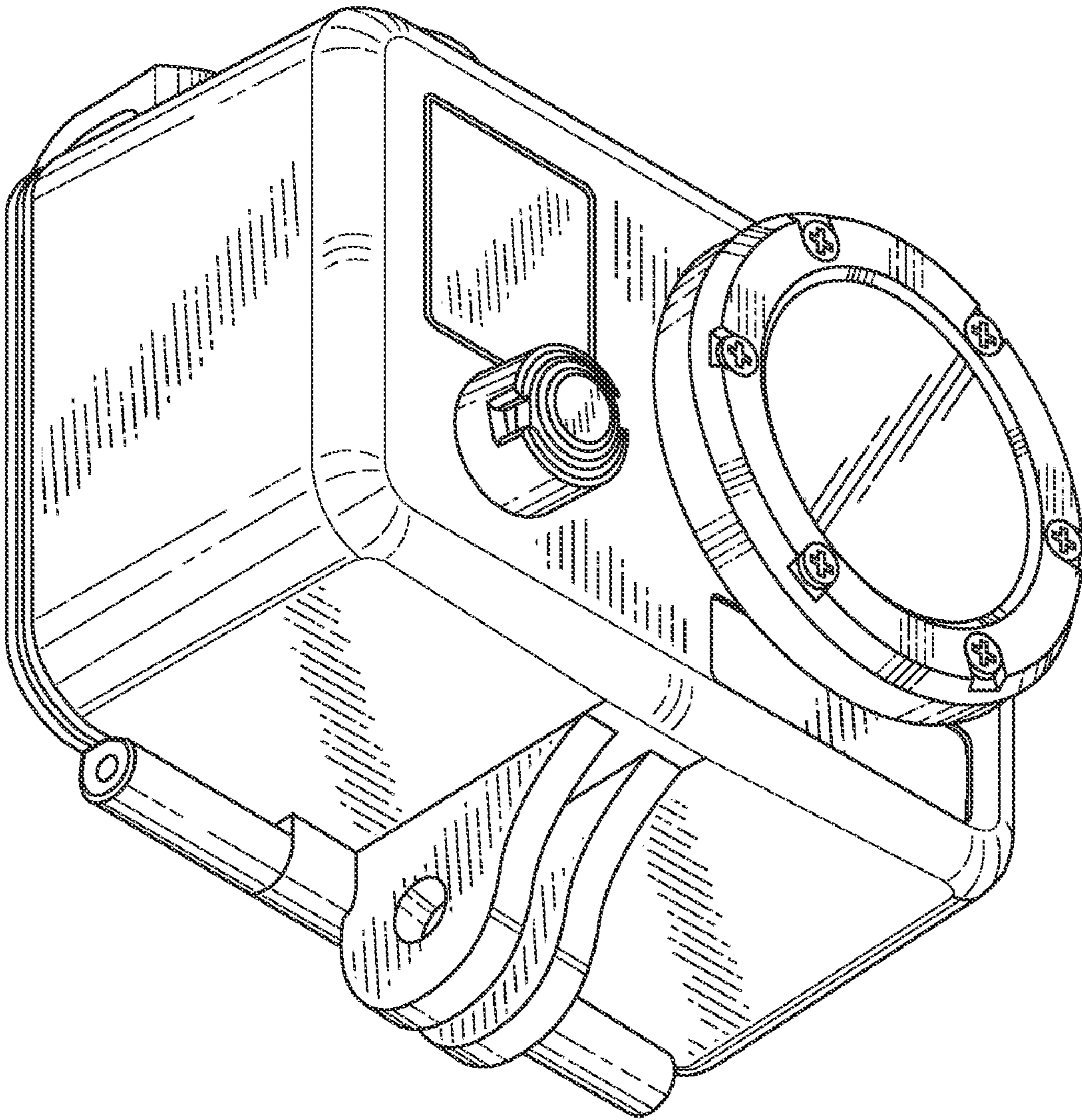


FIG. 3

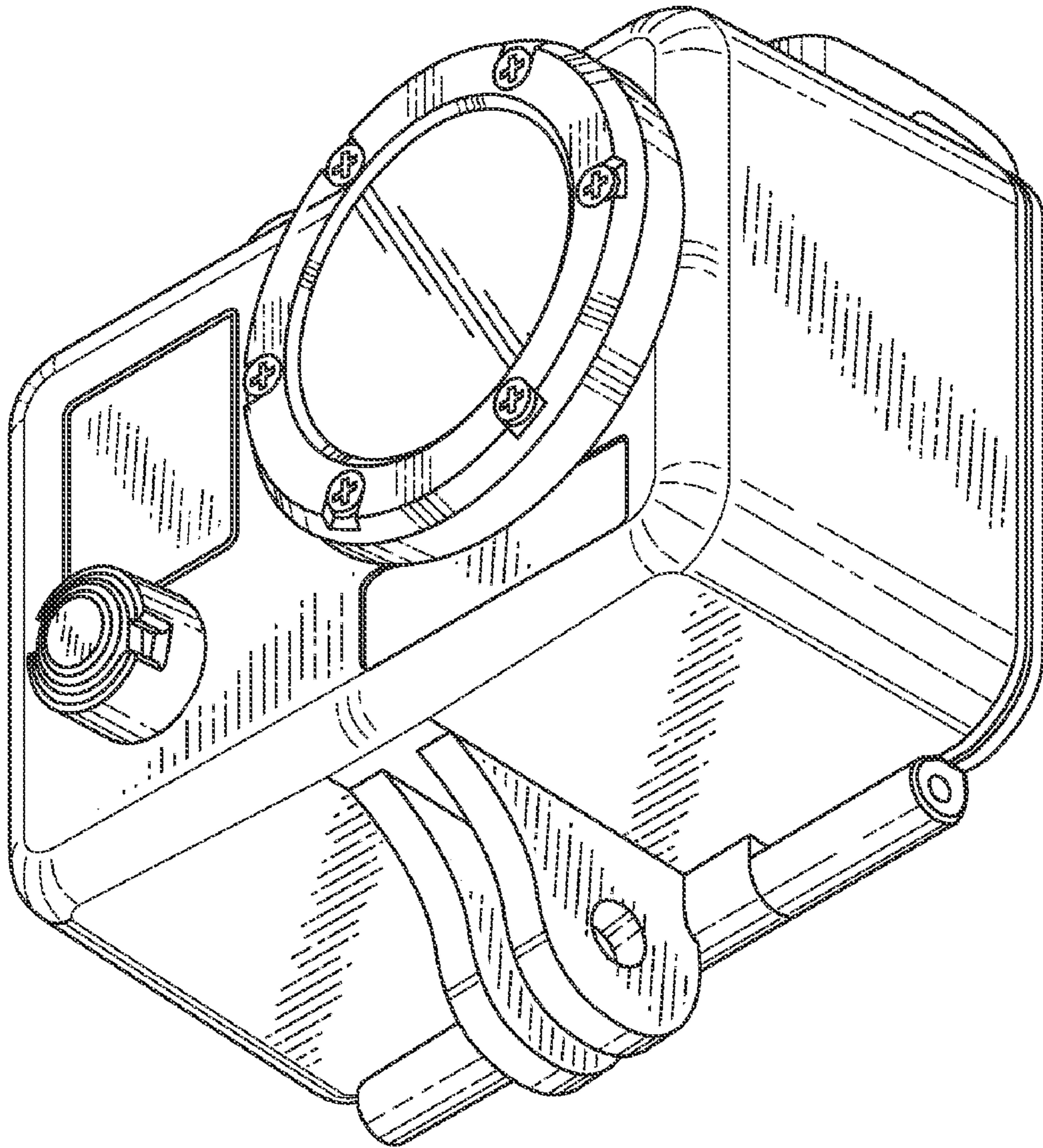


FIG. 4

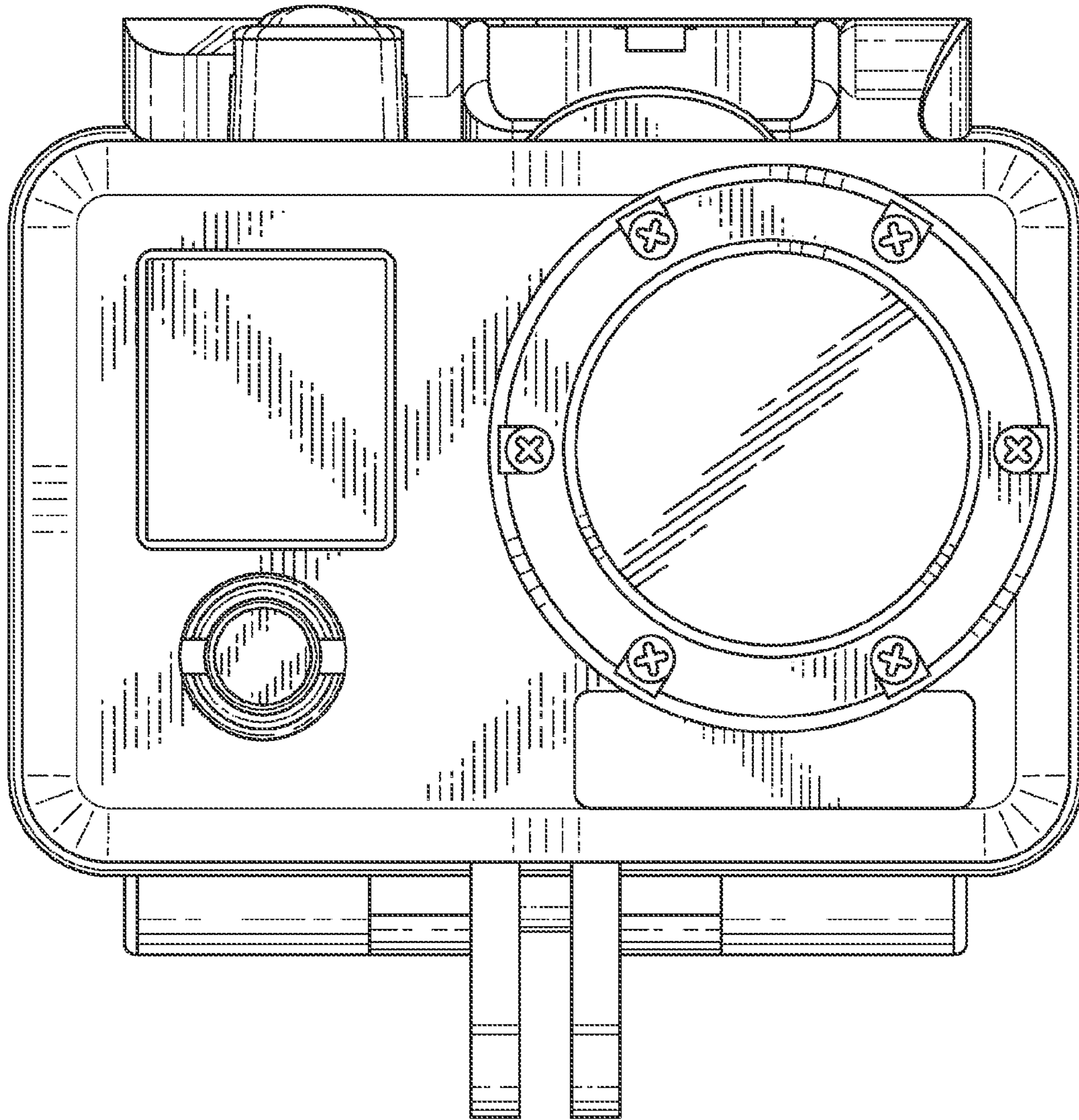


FIG. 5

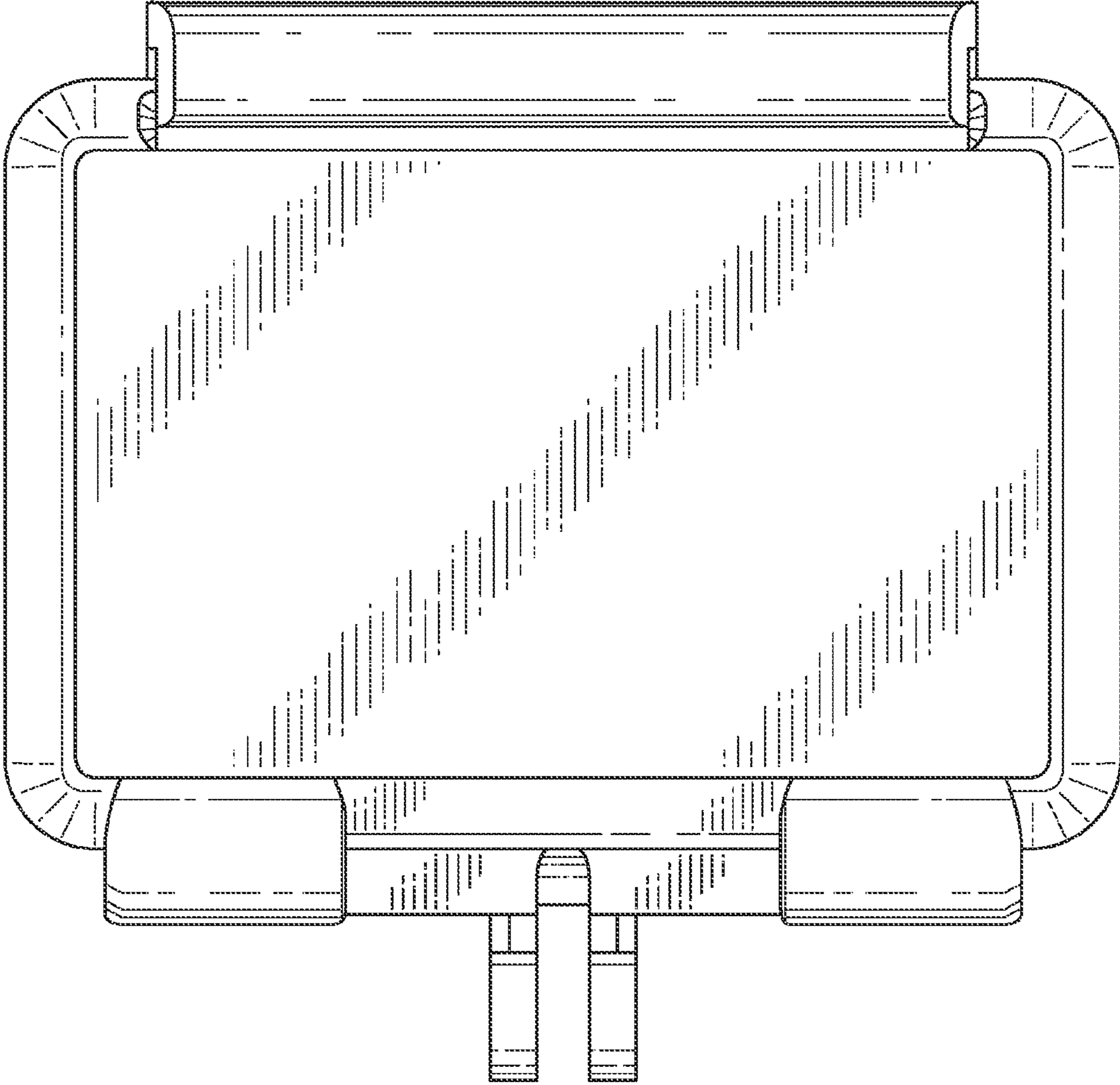


FIG. 6

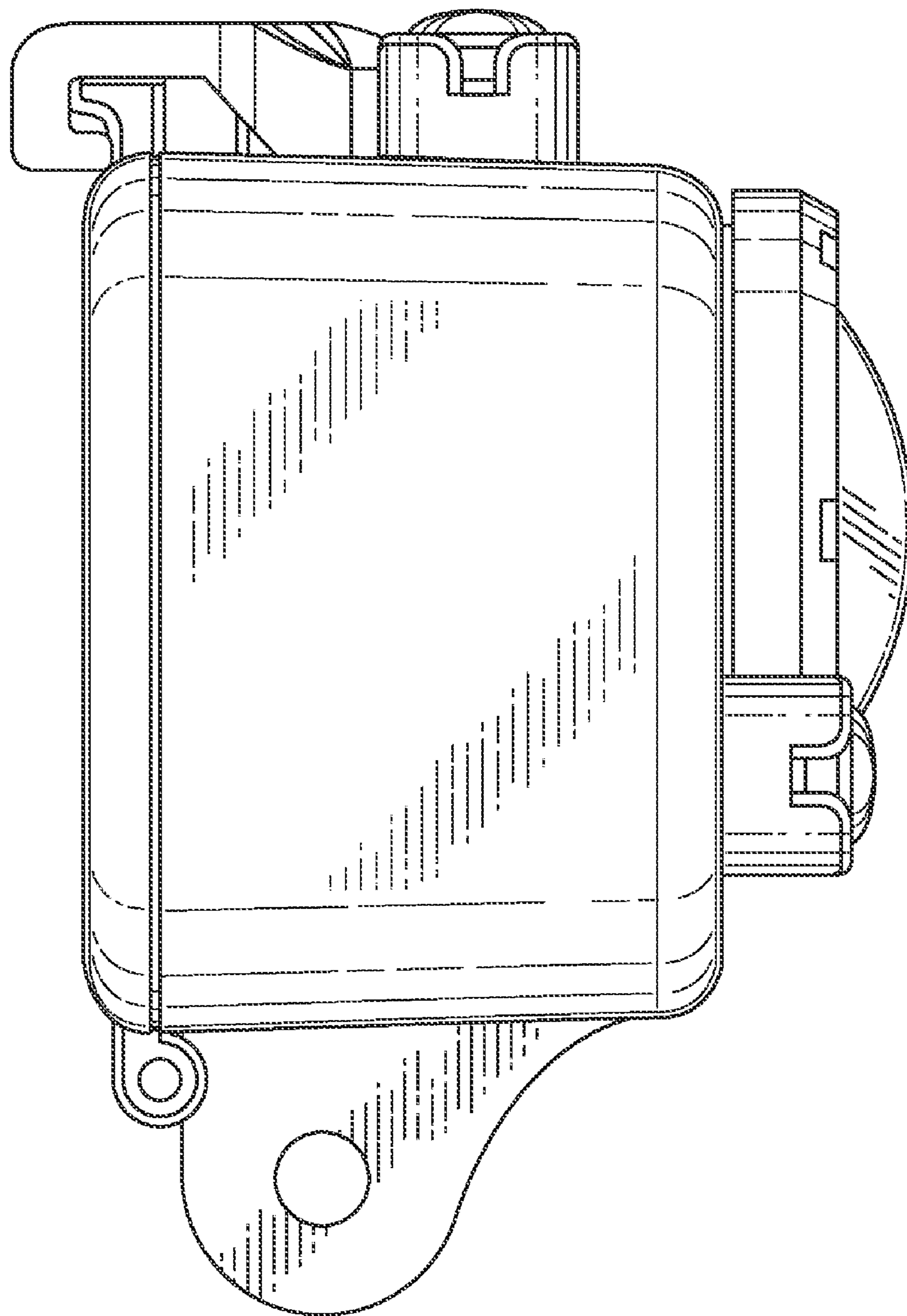


FIG. 7

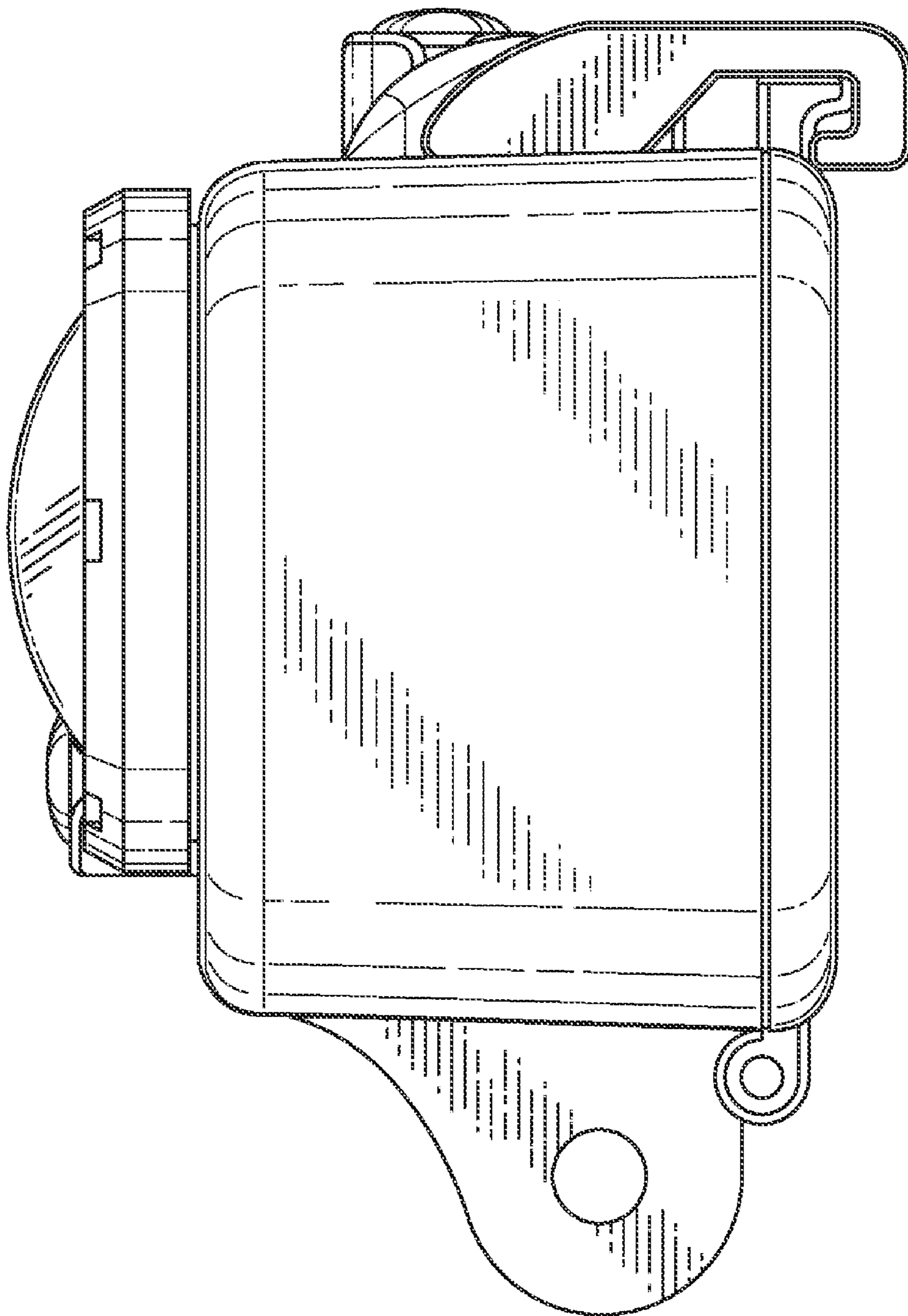


FIG. 8

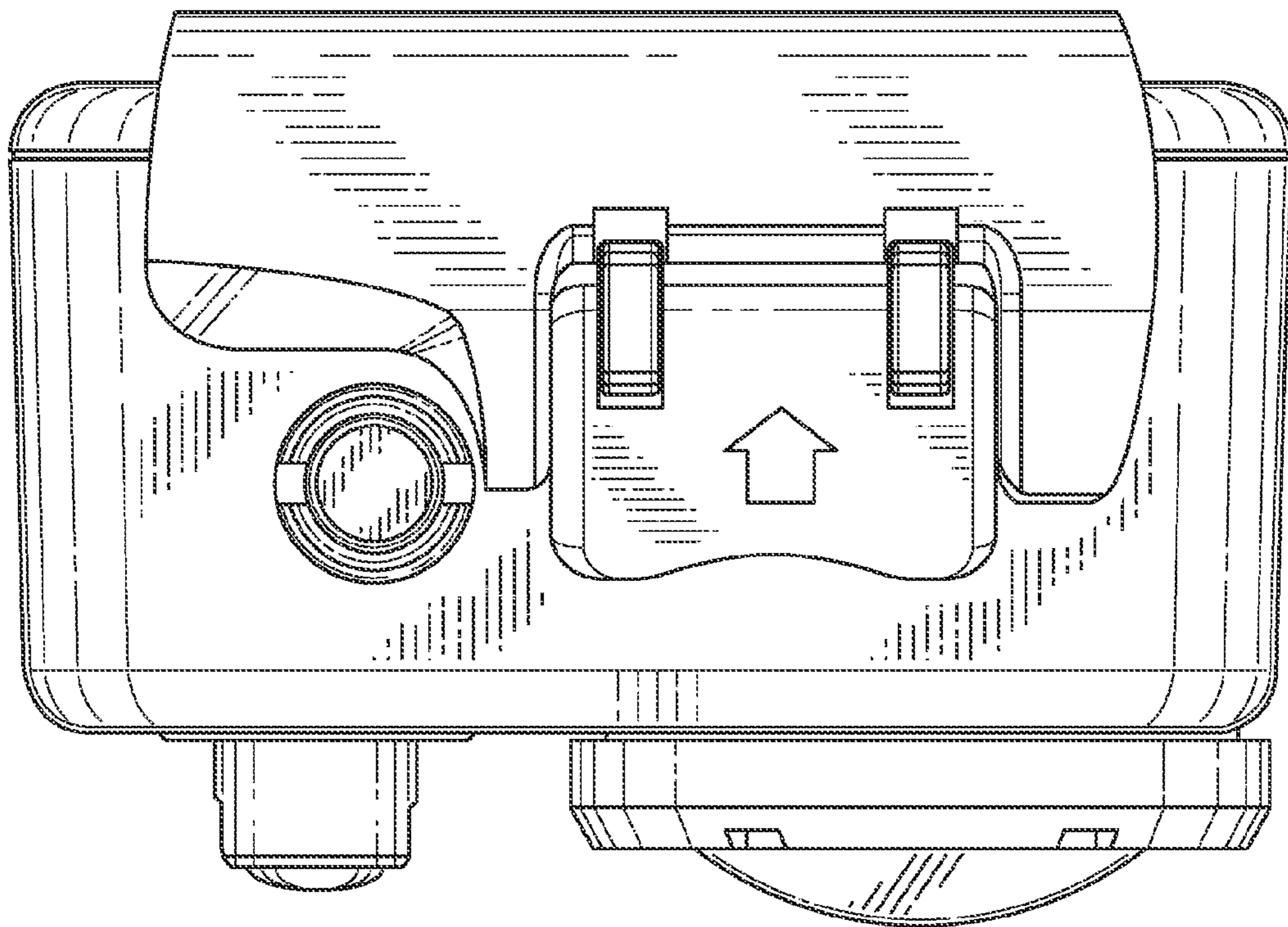


FIG. 9

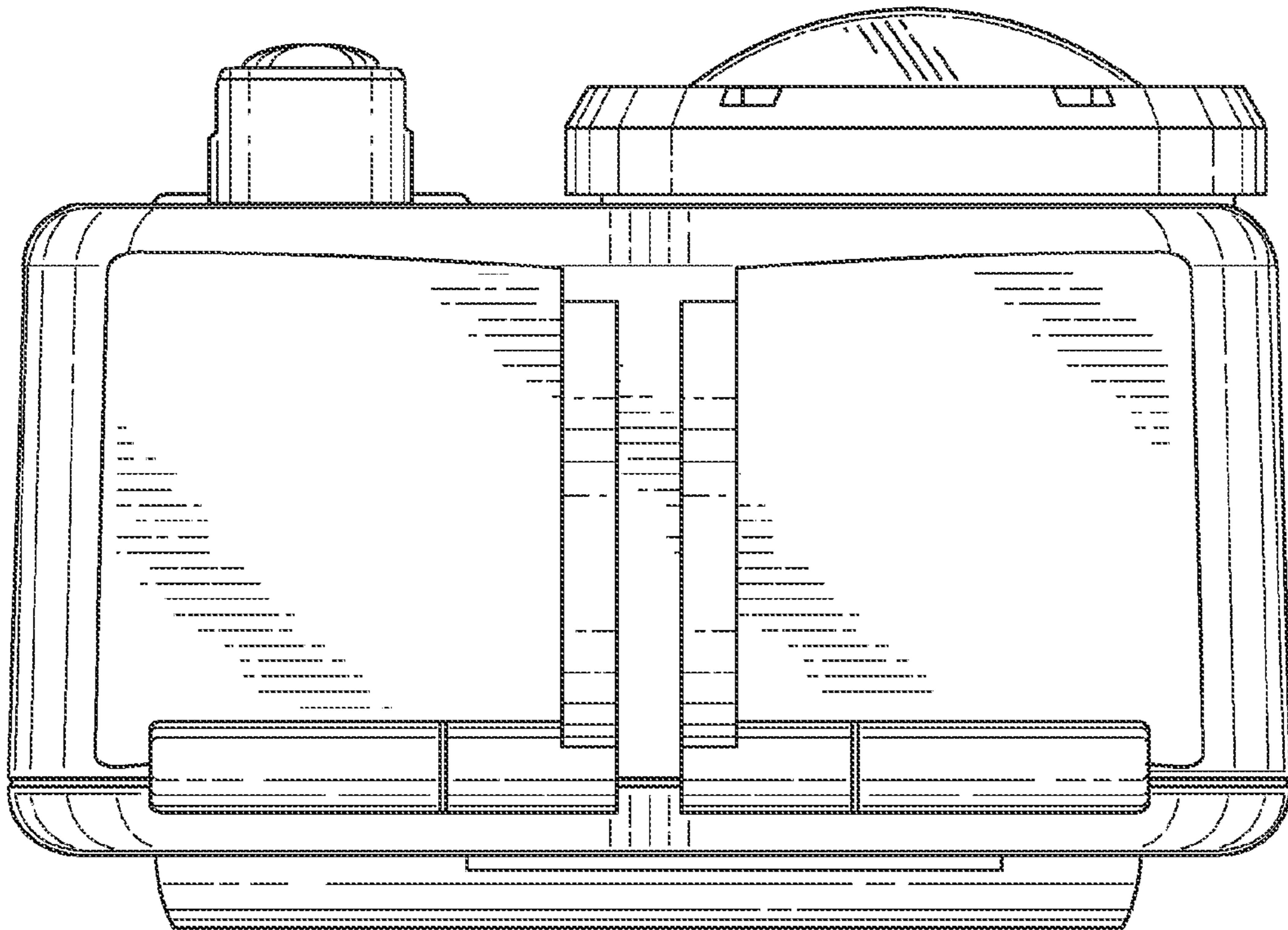


FIG. 10