



US00D657805S

(12) **United States Design Patent**
Cho et al.

(10) **Patent No.:** **US D657,805 S**
(45) **Date of Patent:** **** Apr. 17, 2012**

(54) **REFRIGERATOR**

(75) Inventors: **Kyeongchul Cho**, Gyeonggi-do (KR);
Kyutae Park, Gyeonggi-do (KR); **Seonil Yu**, Gyeonggi-do (KR)

(73) Assignee: **LG Electronics Inc.**, Seoul (KR)

(**) Term: **14 Years**

(21) Appl. No.: **29/392,715**

(22) Filed: **May 25, 2011**

(30) **Foreign Application Priority Data**

Dec. 3, 2010 (KR) 30-2010-0052376

(51) **LOC (9) Cl.** **15-07**

(52) **U.S. Cl.** **D15/86**

(58) **Field of Classification Search** D15/79,
D15/81, 84-88, 91; 62/3.6, 246-255, 3.63,
62/3.64, 293, 467, 339, 373, 457, 265, 331,
62/337; 312/400-409, 139.2, 236, 297, 116,
312/117

See application file for complete search history.

(56) **References Cited**

U.S. PATENT DOCUMENTS

D190,453 S * 5/1961 Munz et al. D15/86
D601,596 S * 10/2009 Yoon et al. D15/85
D615,564 S * 5/2010 Kristiansen et al. D15/86
D615,565 S * 5/2010 Kristiansen et al. D15/86

D629,021 S * 12/2010 Cho et al. D15/85
D642,600 S * 8/2011 Kristiansen et al. D15/86
D648,359 S * 11/2011 Yu et al. D15/91

* cited by examiner

Primary Examiner — Mitchell Siegel

(74) *Attorney, Agent, or Firm* — Birch, Stewart, Kolasch & Birch, LLP

(57) **CLAIM**

The ornamental design for a refrigerator, as shown and described.

DESCRIPTION

FIG. 1 is a perspective view of a refrigerator showing our new design;

FIG. 2 is a front view thereof;

FIG. 3 is a rear view thereof;

FIG. 4 is a left side view thereof;

FIG. 5 is a right side view thereof;

FIG. 6 is a top plan view thereof;

FIG. 7 is a bottom plan view thereof;

FIG. 8 is a perspective view thereof showing the state that only the outside door at the upper-right part of the refrigerator has been opened;

FIG. 9 is a perspective view thereof showing the state that all the doors (the door-in-door) at the right part of the refrigerator have been opened; and,

FIG. 10 is a perspective view thereof showing the state that all the doors of the refrigerator have been opened.

1 Claim, 9 Drawing Sheets

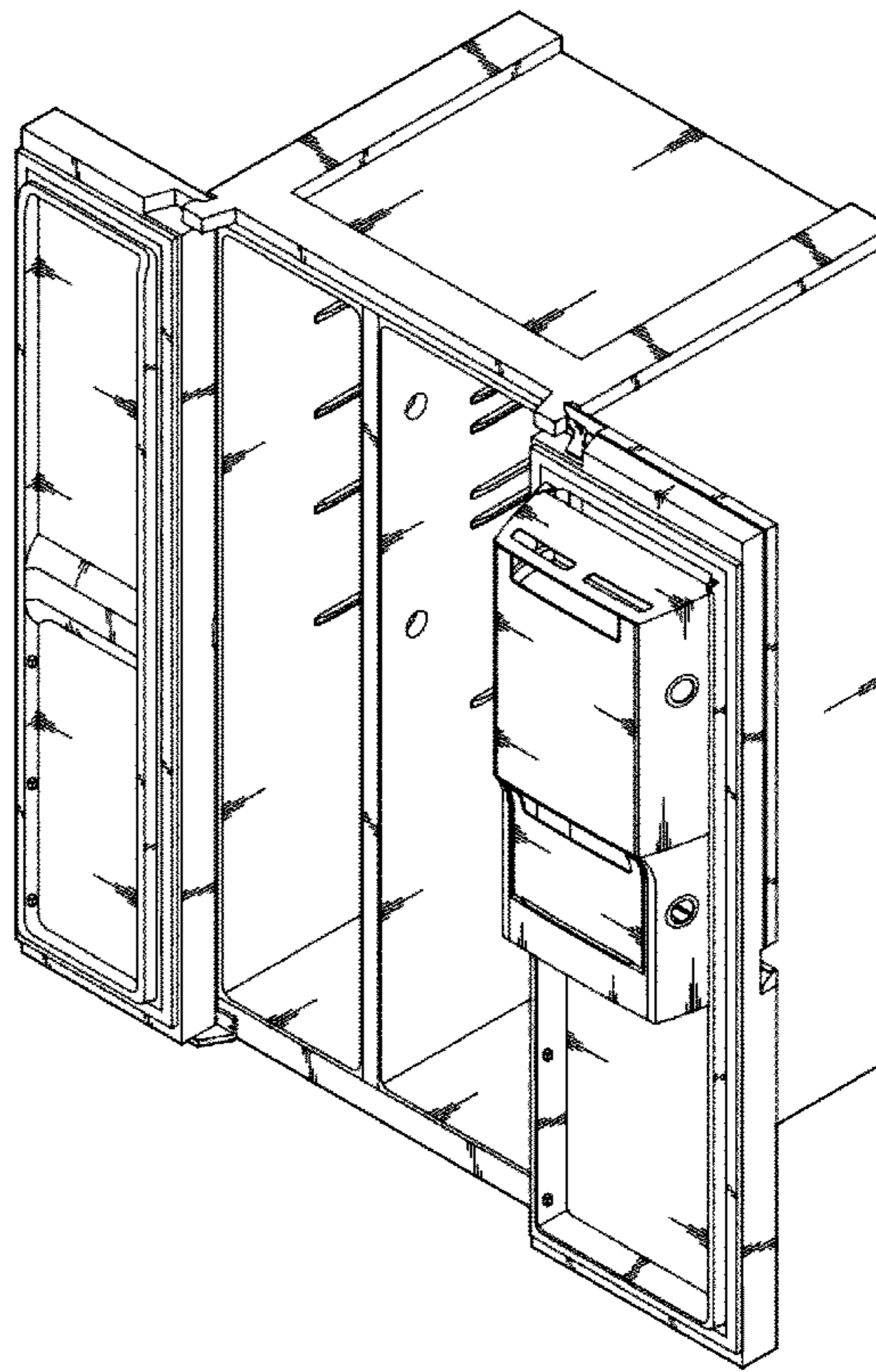
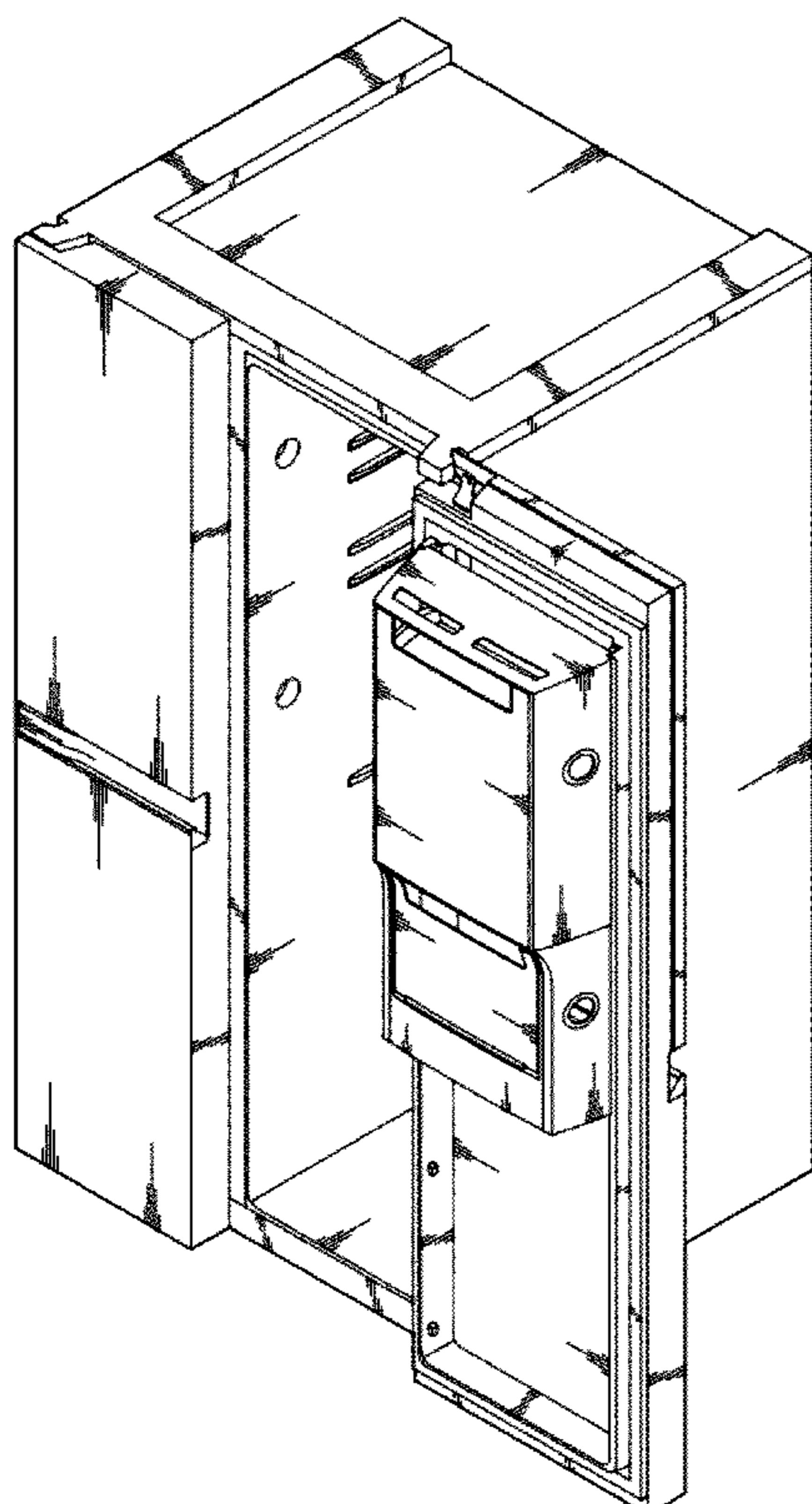


FIG. 1

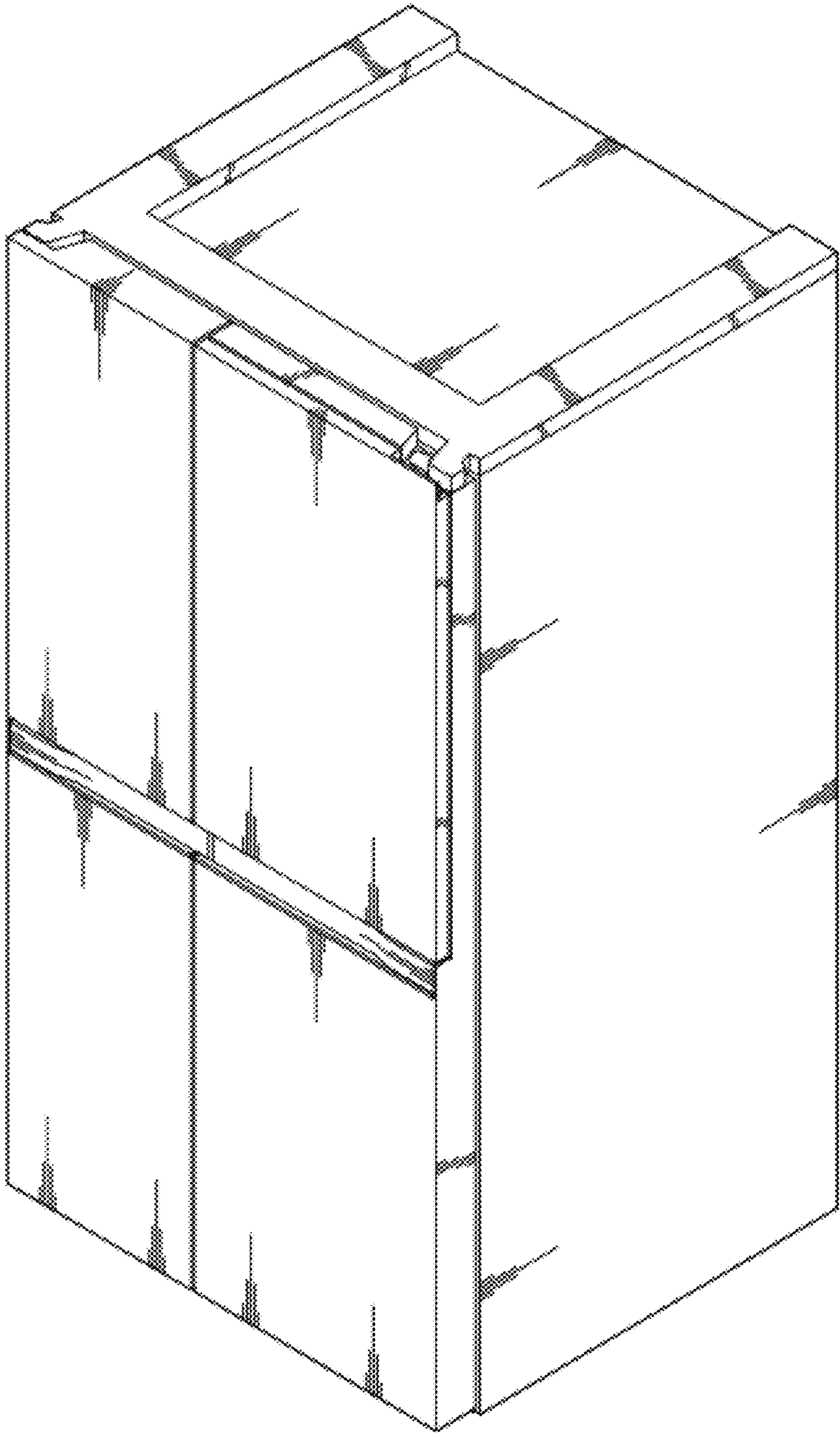


FIG. 2

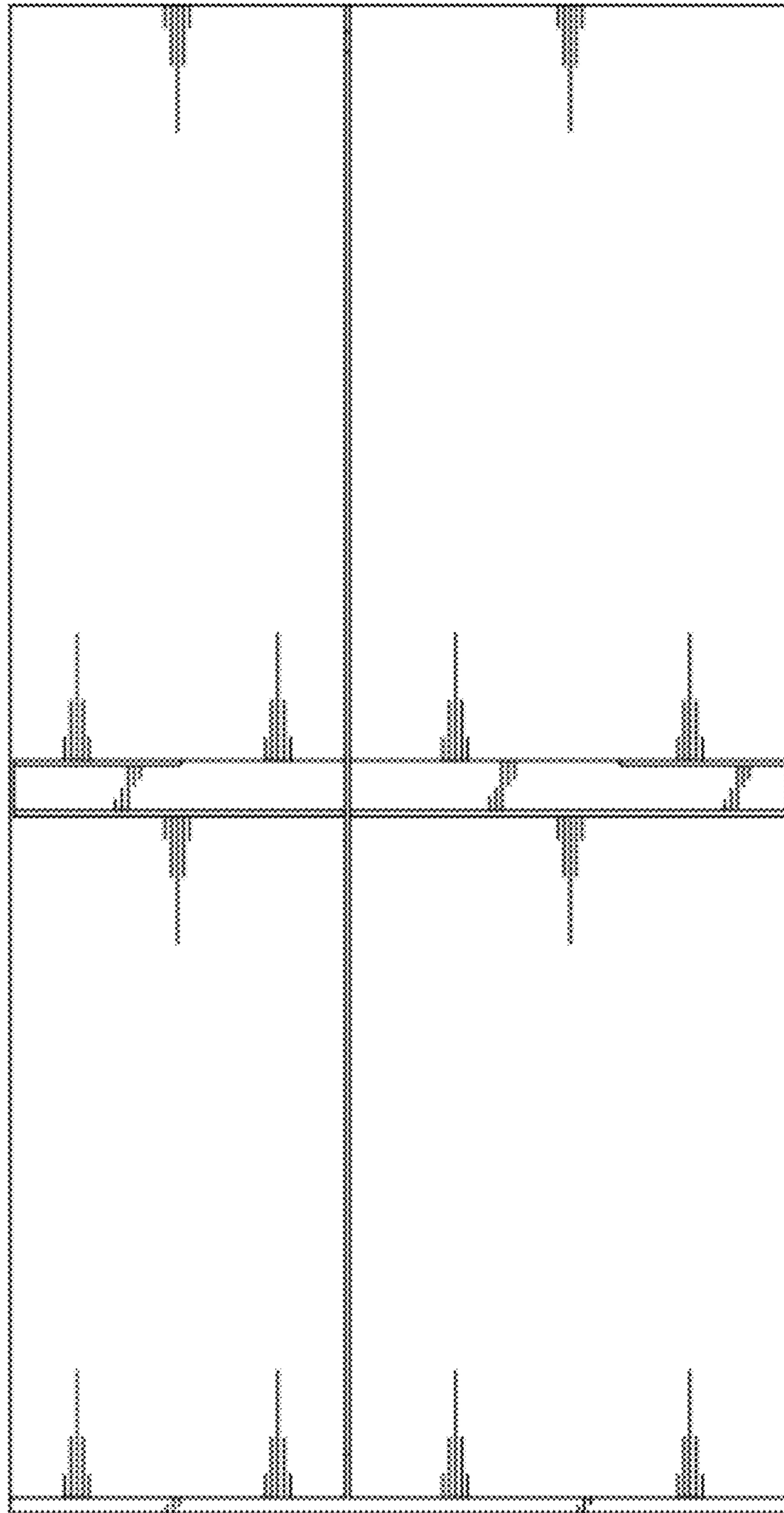


FIG. 3

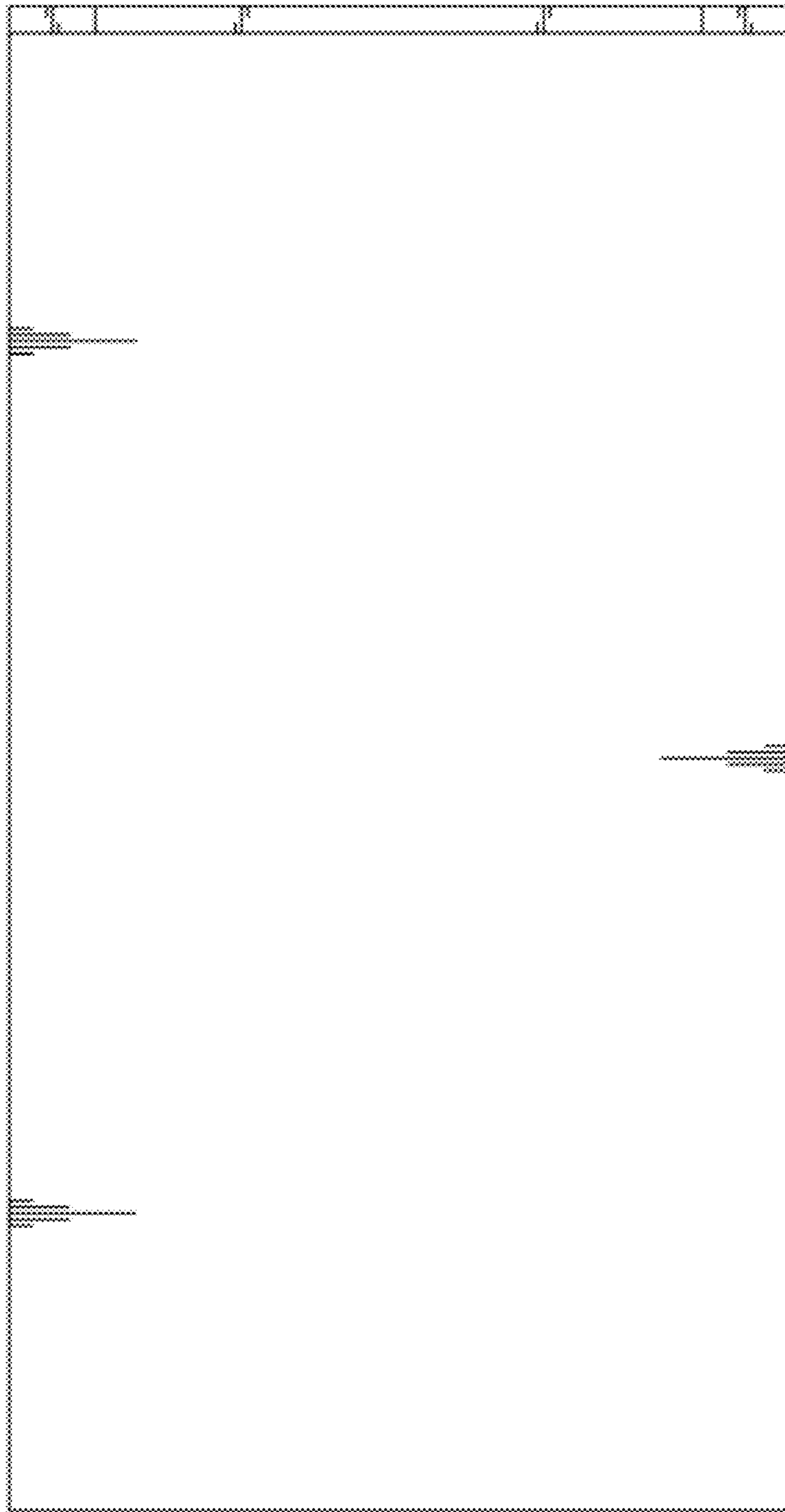


FIG. 4

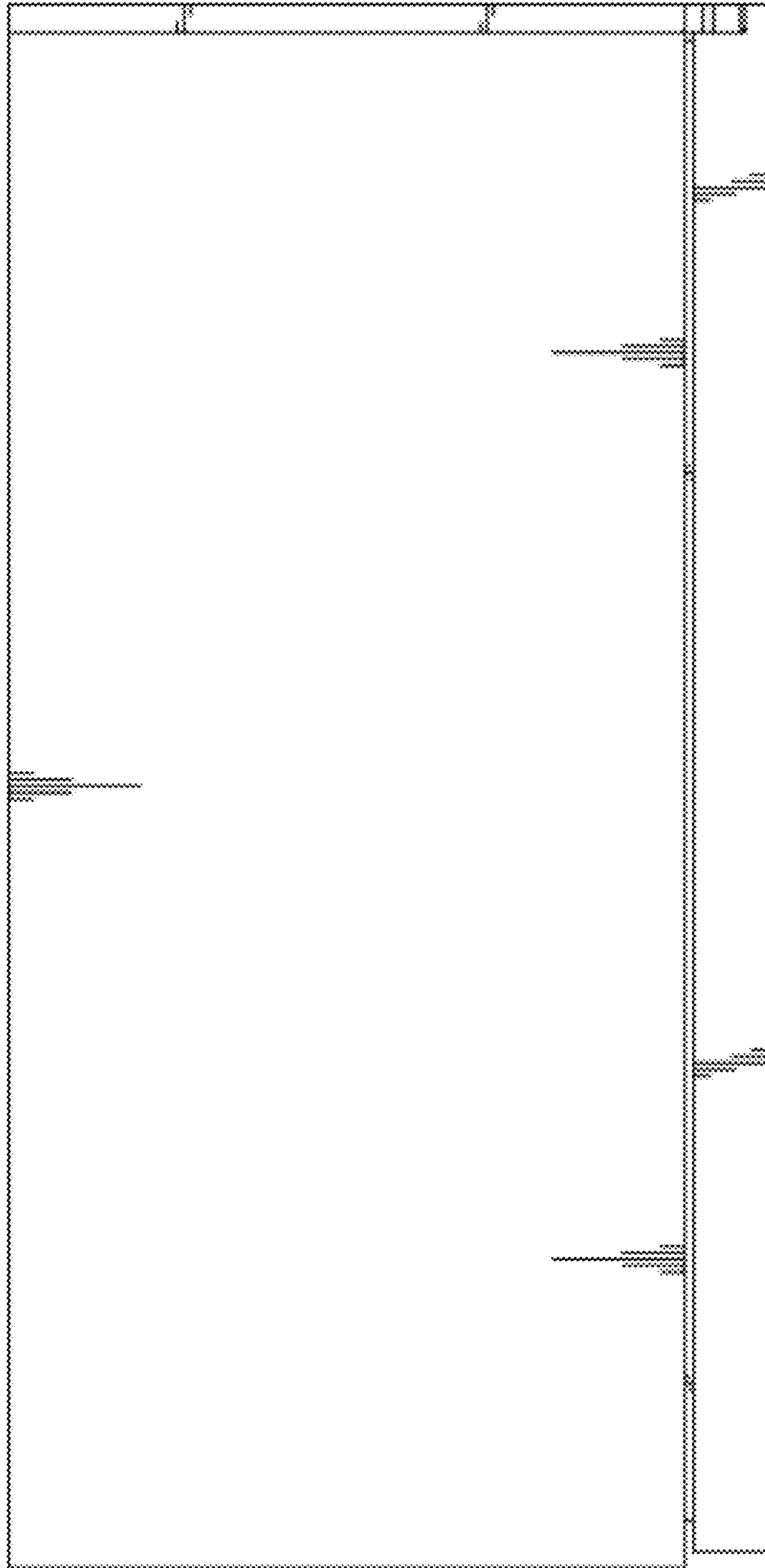


FIG. 5

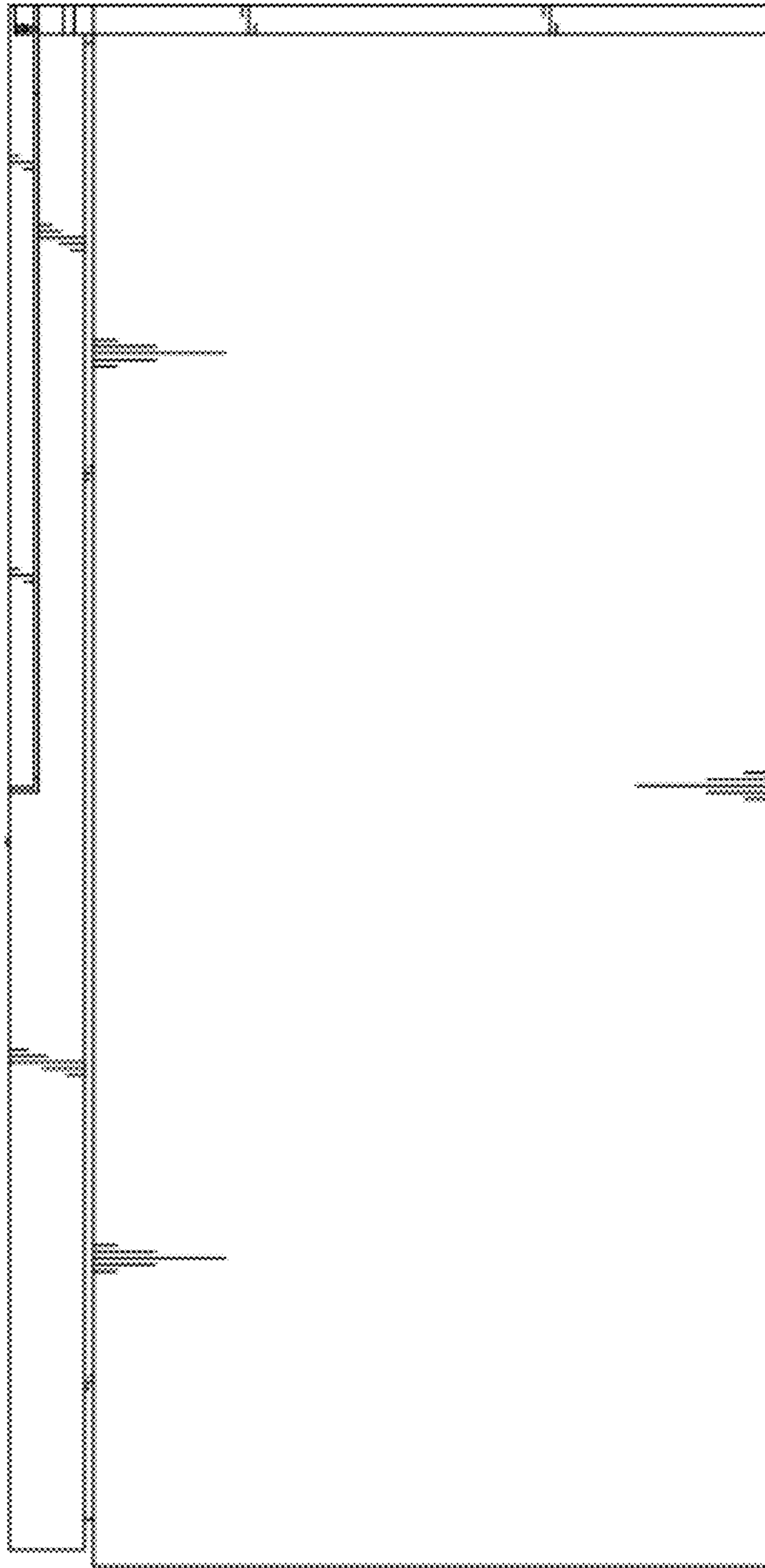


FIG. 6

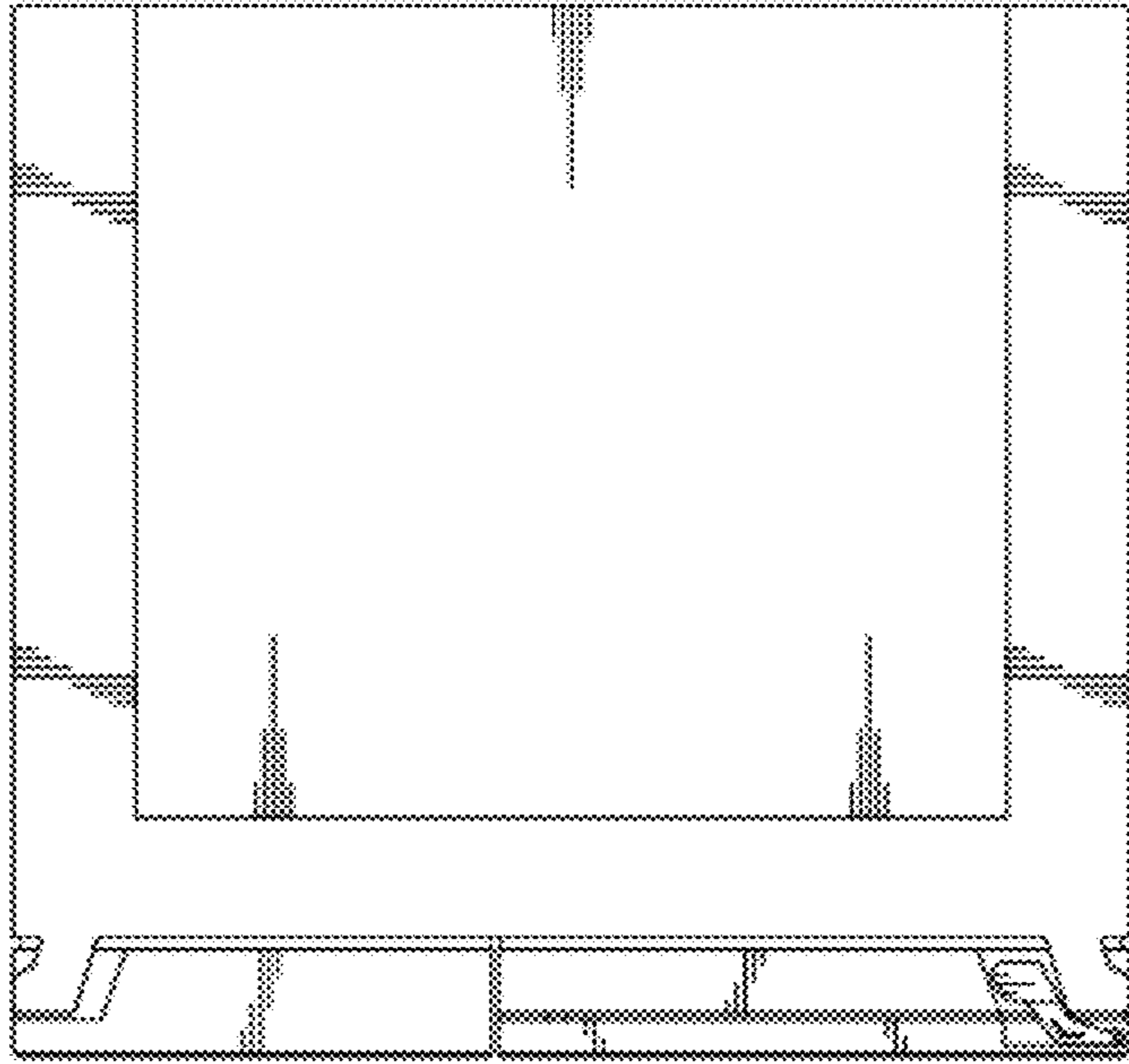


FIG. 7

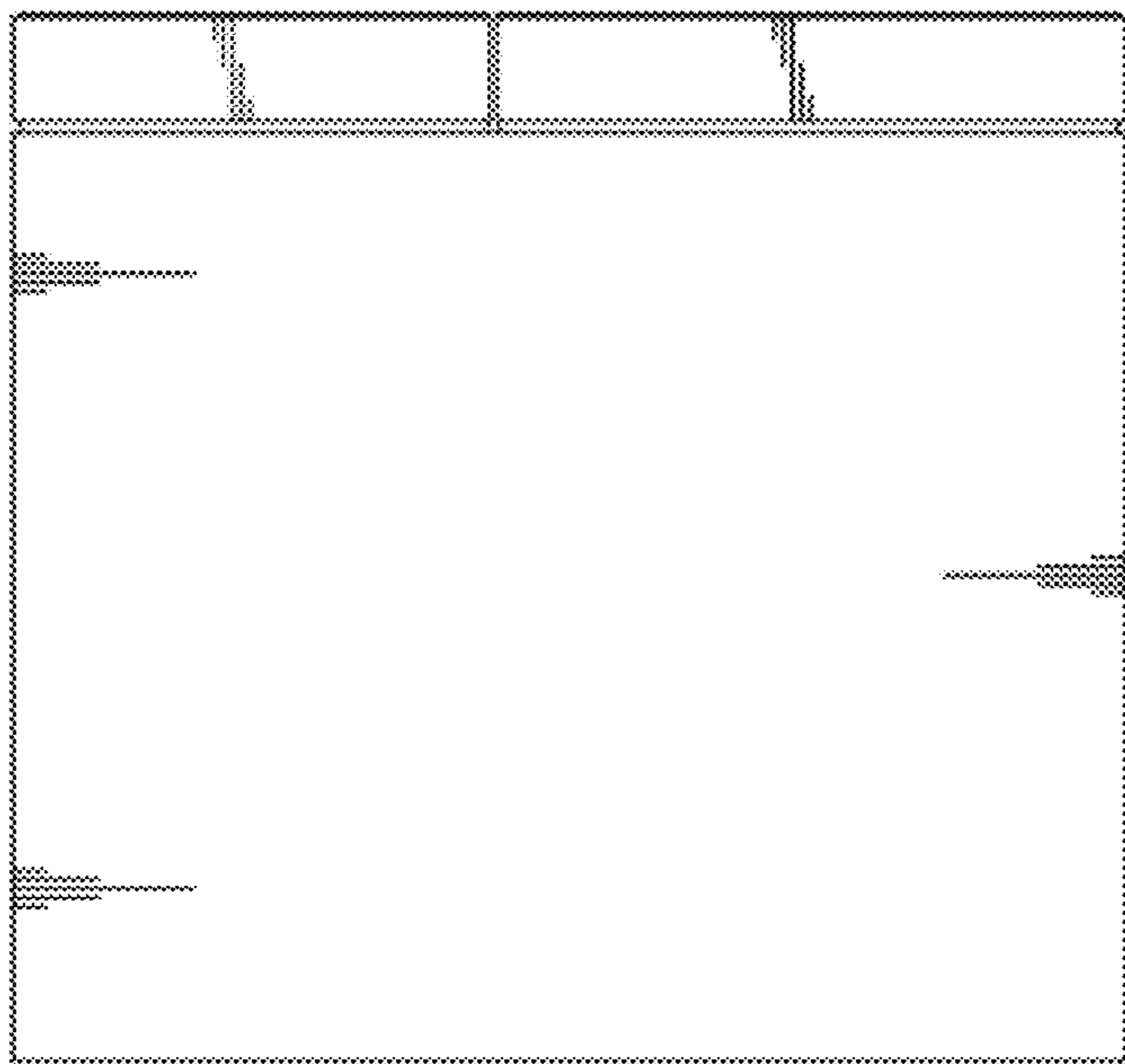


FIG. 8

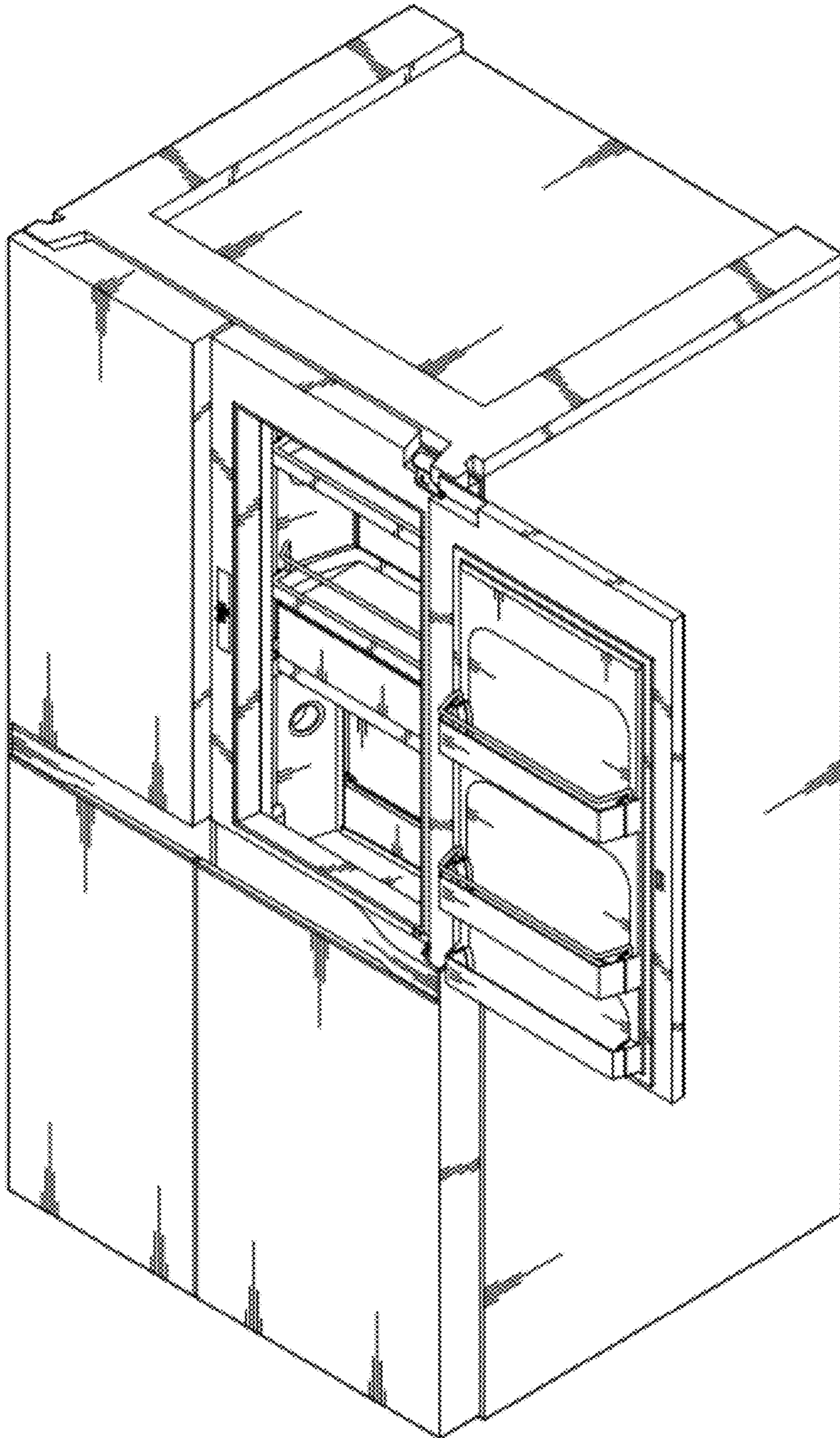


FIG. 9

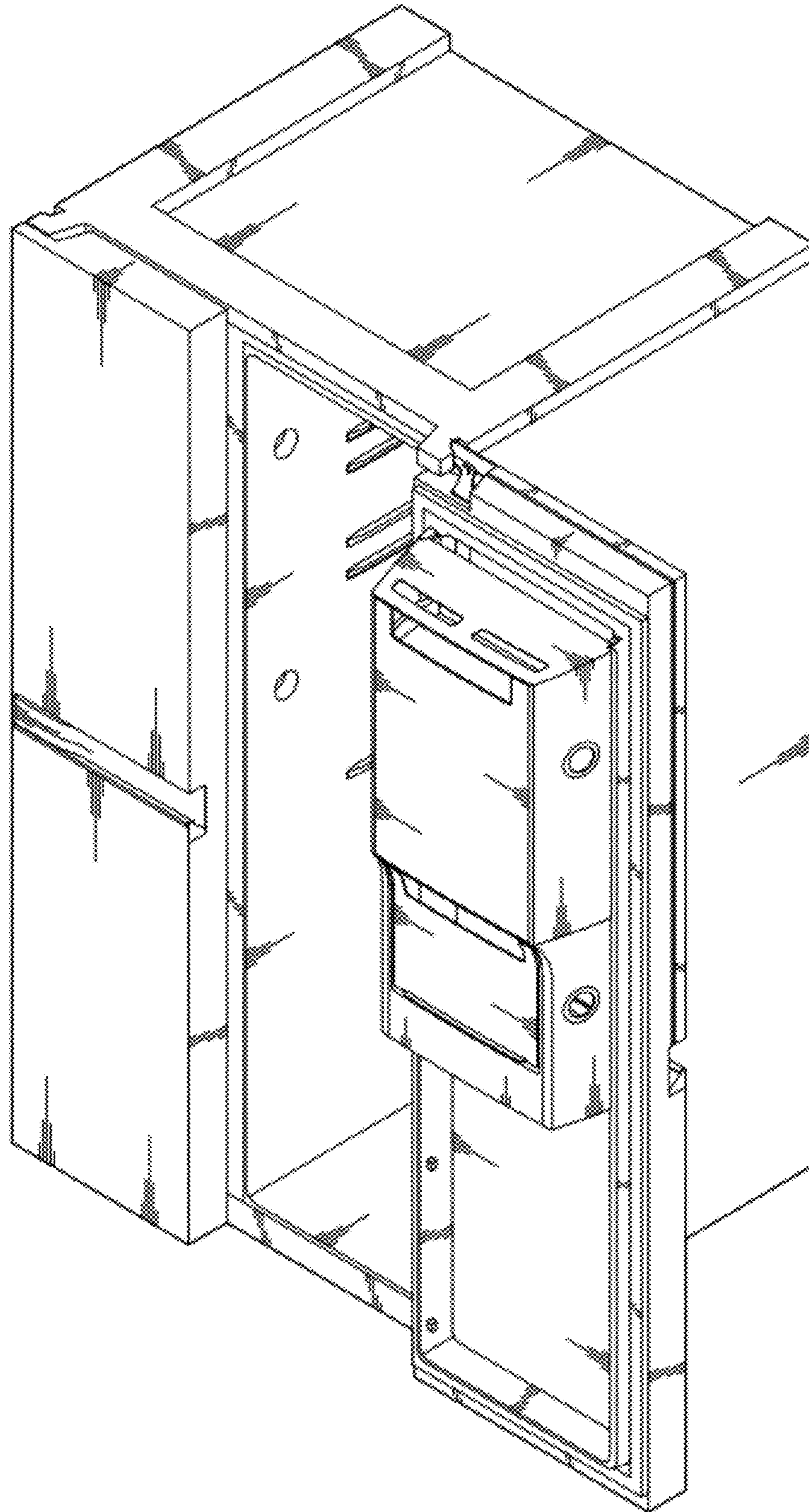


FIG. 10

