



US00D657803S

(12) **United States Design Patent**  
**Flanagan et al.**

(10) **Patent No.:** **US D657,803 S**

(45) **Date of Patent:** **\*\* Apr. 17, 2012**

(54) **REFRIGERATION UNIT**

(75) Inventors: **Thomas Flanagan**, Bloomington, MN (US); **Martin Duffy**, Centennial, CO (US); **Scott Pearce**, Forest Lake, MN (US); **Bruce Kranz**, Farmington, MN (US); **Jason McVay**, Minneapolis, MN (US); **Jennifer Christianson**, Minneapolis, MN (US); **Richard Walters**, Hugo, MN (US)

(73) Assignee: **Thermo King Corporation**, Minneapolis, MN (US)

(\*\*) Term: **14 Years**

(21) Appl. No.: **29/408,809**

(22) Filed: **Dec. 16, 2011**

**Related U.S. Application Data**

(63) Continuation of application No. 29/323,200, filed on Aug. 20, 2008, now Pat. No. Des. 652,848.

(51) **LOC (9) Cl.** ..... **15-07**

(52) **U.S. Cl.** ..... **D15/79; D12/106**

(58) **Field of Classification Search** ..... D15/79, D15/81, 89; D12/101-106, 400, 181; 296/24.35, 296/180.4, 181.6, 51, 22; 62/239, 115, 236  
See application file for complete search history.

(56) **References Cited**

**U.S. PATENT DOCUMENTS**

4,087,125	A *	5/1978	Stephens	.....	296/24.35
4,221,421	A *	9/1980	Bettker et al.	.....	296/24.35
4,310,192	A *	1/1982	Fitzgerald	.....	296/180.4
4,468,060	A *	8/1984	FitzGerald et al.	.....	296/180.4
5,161,848	A *	11/1992	Lutton	.....	296/181.6

5,222,373	A *	6/1993	Waldschmidt	.....	62/239
6,907,747	B2 *	6/2005	Laizer	.....	62/239
7,364,050	B2 *	4/2008	Guard	.....	296/22
7,406,834	B2 *	8/2008	Williams	.....	62/115
7,784,707	B2 *	8/2010	Witty et al.	.....	236/51

\* cited by examiner

*Primary Examiner* — Mitchell Siegel

(74) *Attorney, Agent, or Firm* — Michael Best & Friedrich LLP

(57) **CLAIM**

We claim the ornamental design for a refrigeration unit, as shown and described.

**DESCRIPTION**

FIG. 1 is a front perspective view of a refrigeration unit embodying the invention.

FIG. 2 is a front view of the refrigeration unit of FIG. 1.

FIG. 3 is a top view of the refrigeration unit of FIG. 1.

FIG. 4 is a bottom view of the refrigeration unit of FIG. 1.

FIG. 5 is a right side view of the refrigeration unit of FIG. 1.

FIG. 6 is a left side view of the refrigeration unit of FIG. 1.

FIG. 7 is a front perspective view of a refrigeration unit embodying the invention.

FIG. 8 is a front view of the refrigeration unit of FIG. 7.

FIG. 9 is a top view of the refrigeration unit of FIG. 7.

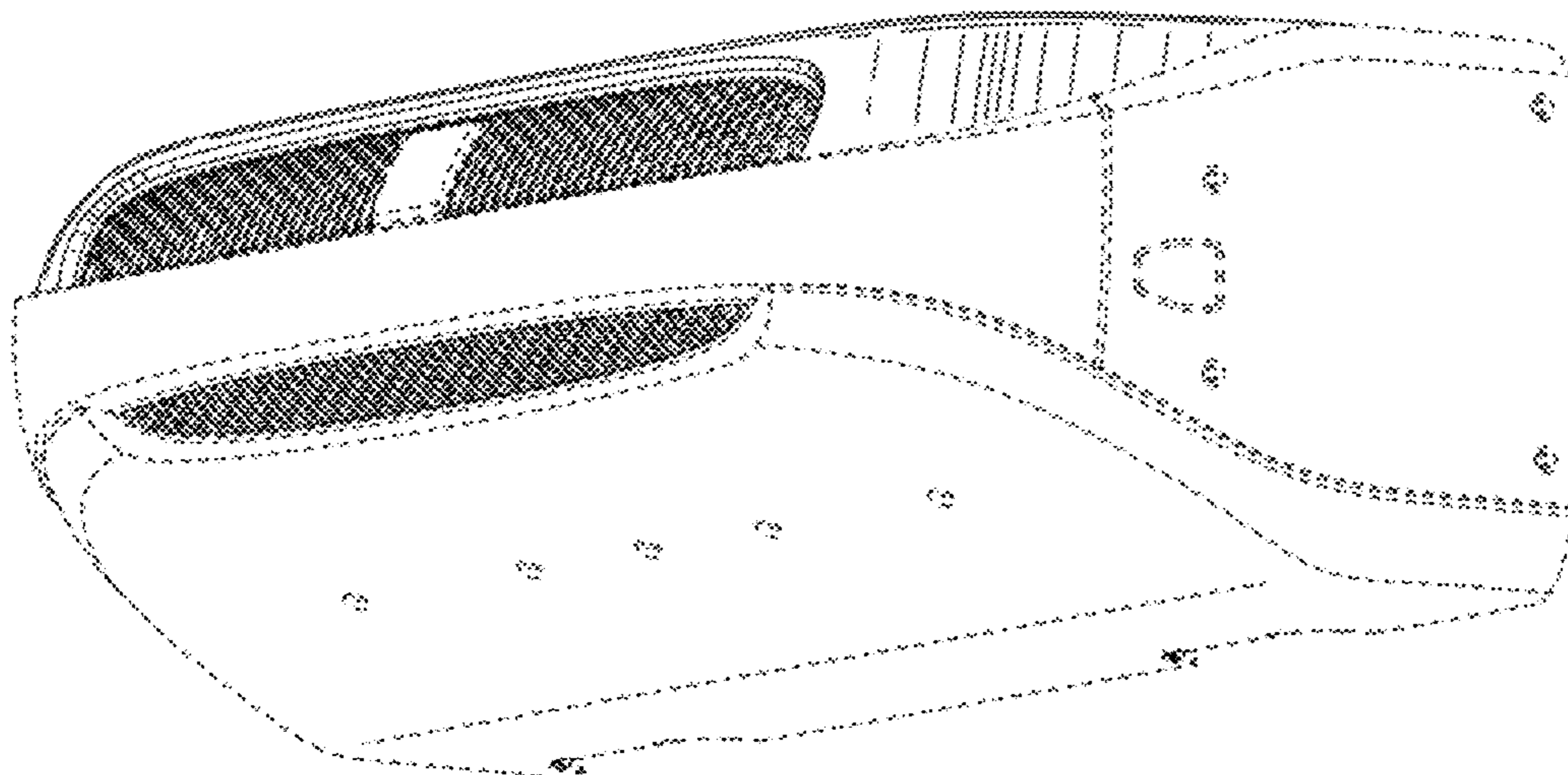
FIG. 10 is a bottom view of the refrigeration unit of FIG. 7.

FIG. 11 is a right side view of the refrigeration unit of FIG. 7; and,

FIG. 12 is a left side view of the refrigeration unit of FIG. 7.

The portions of the refrigeration unit shown in broken lines are included for the purpose of illustrating environment and form no part of the claimed design. The portions of the refrigeration unit shown in broken lines having unequal length segments illustrate the boundary of the claimed design and form no part of the claimed design.

**1 Claim, 10 Drawing Sheets**



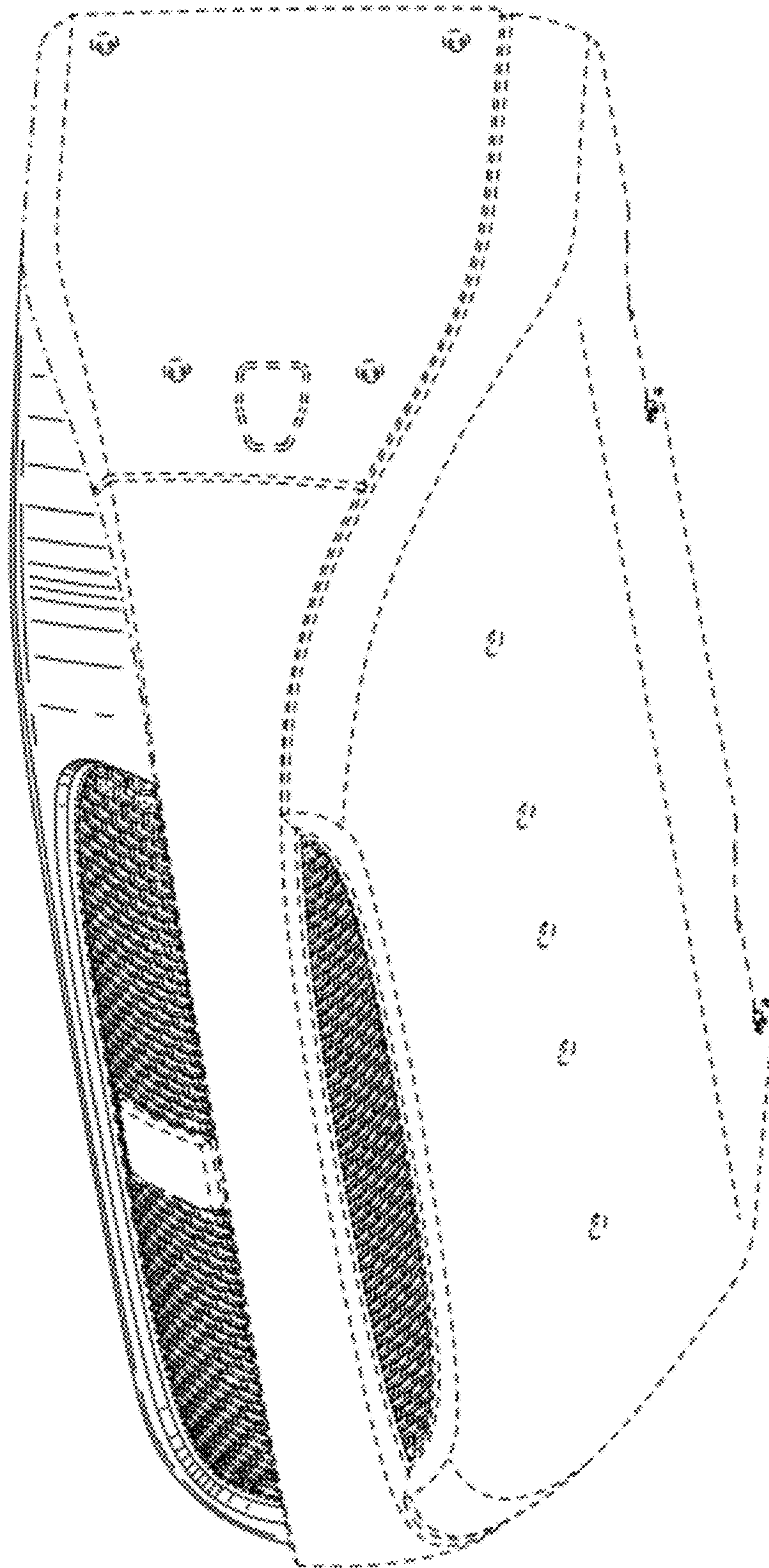


FIG. 1



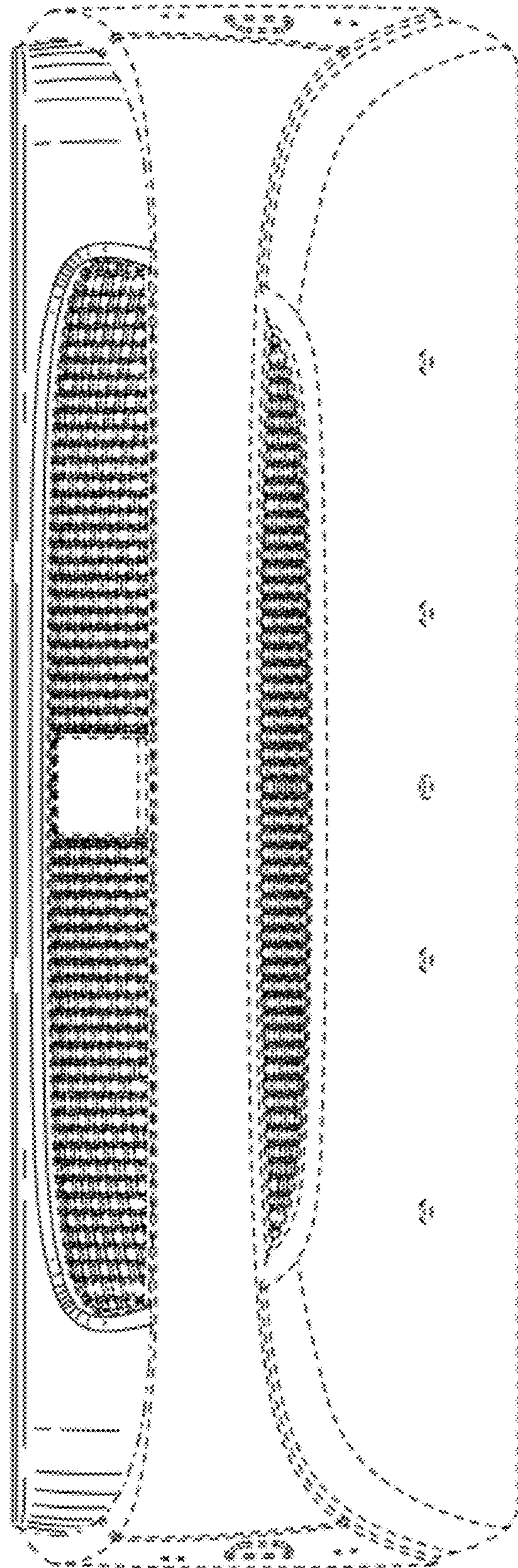


FIG. 2

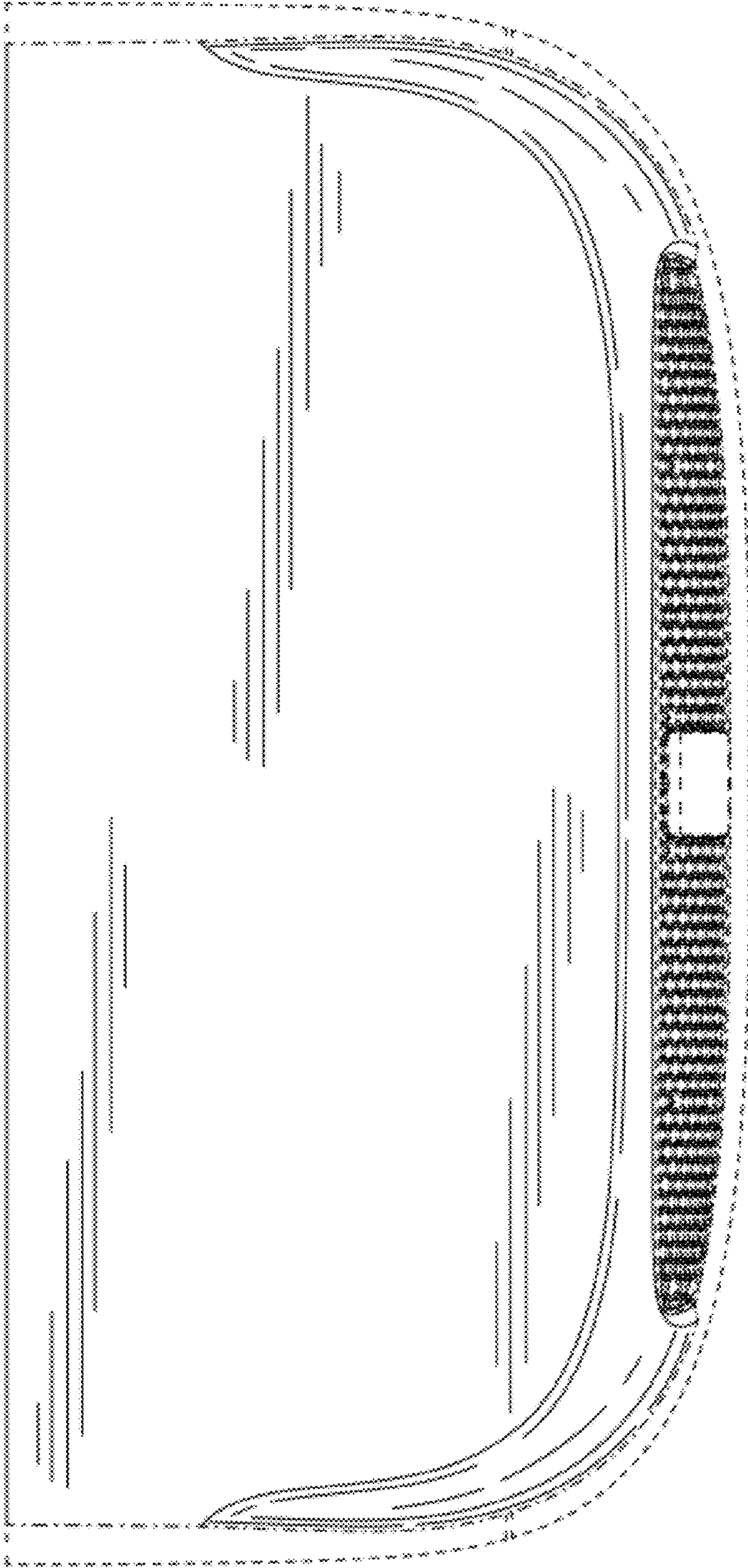


FIG. 3



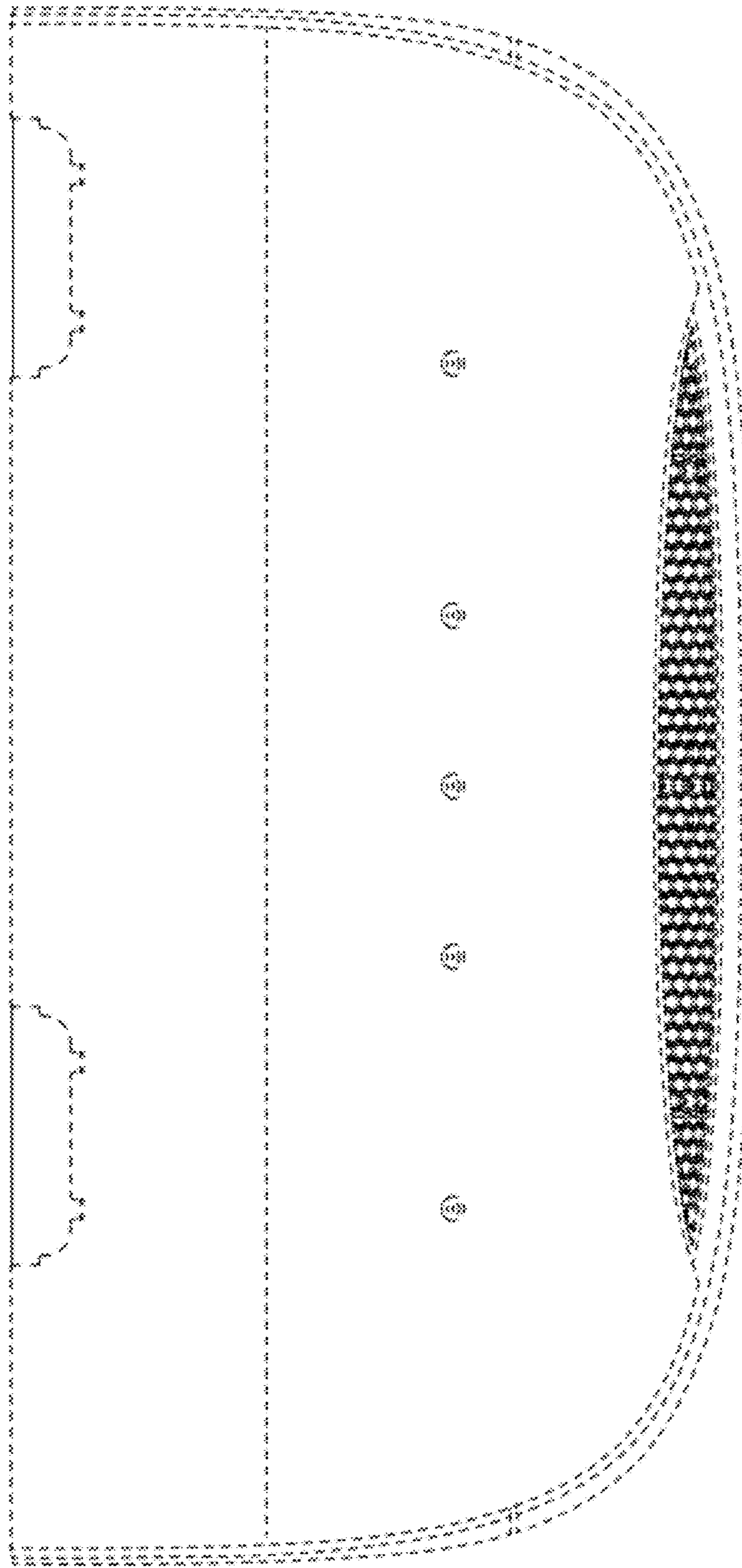
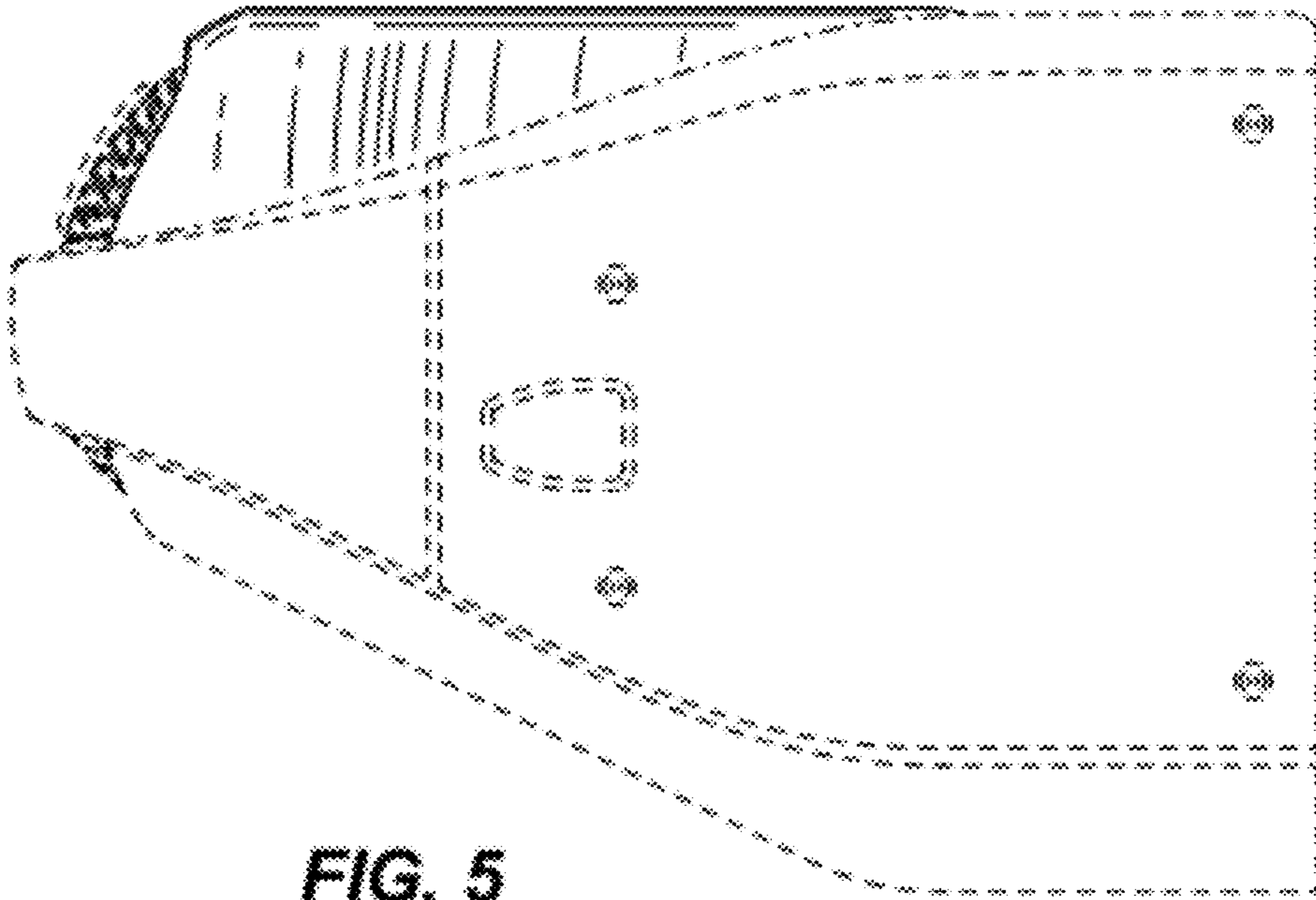
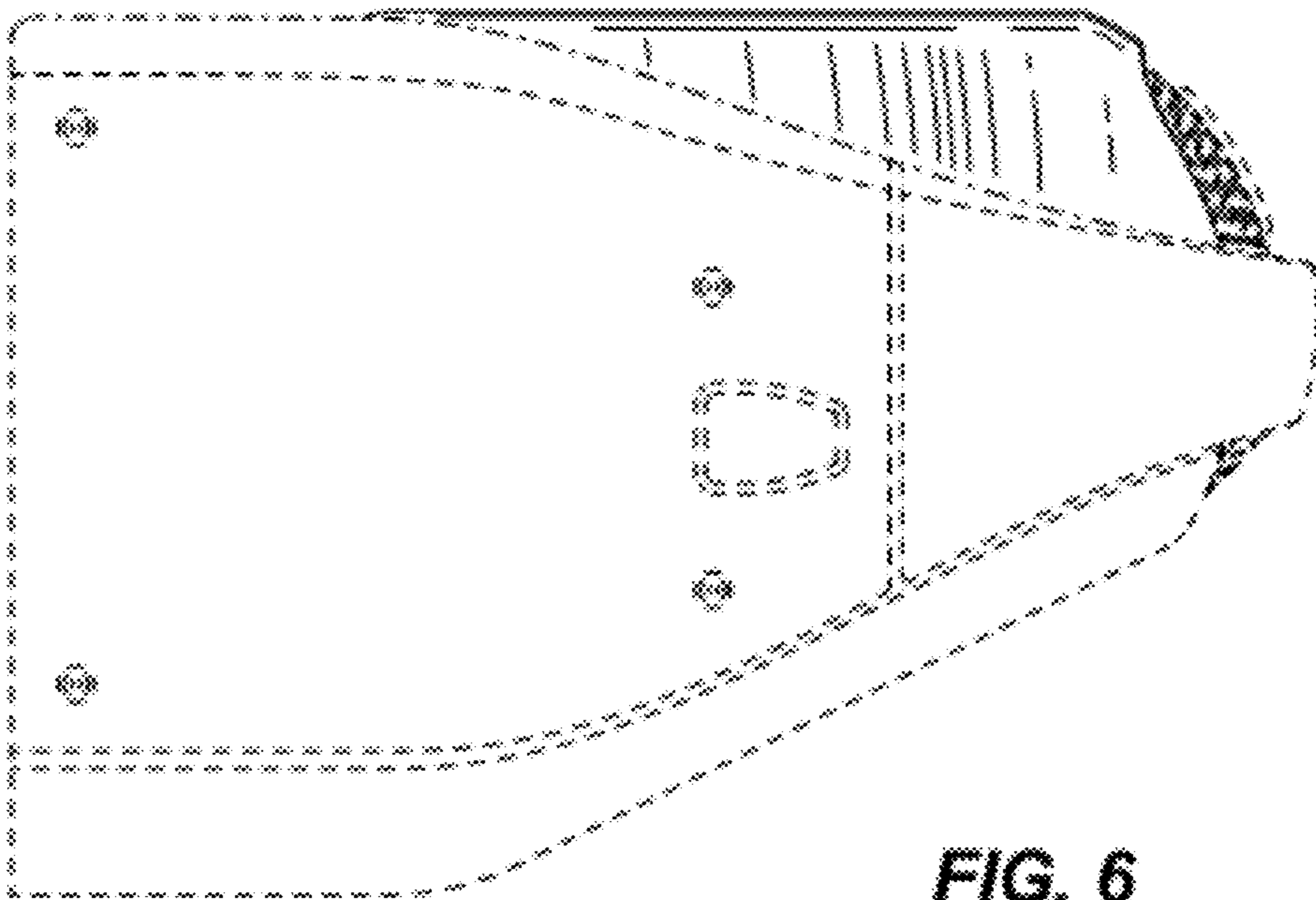


FIG. 4



**FIG. 5**



**FIG. 6**

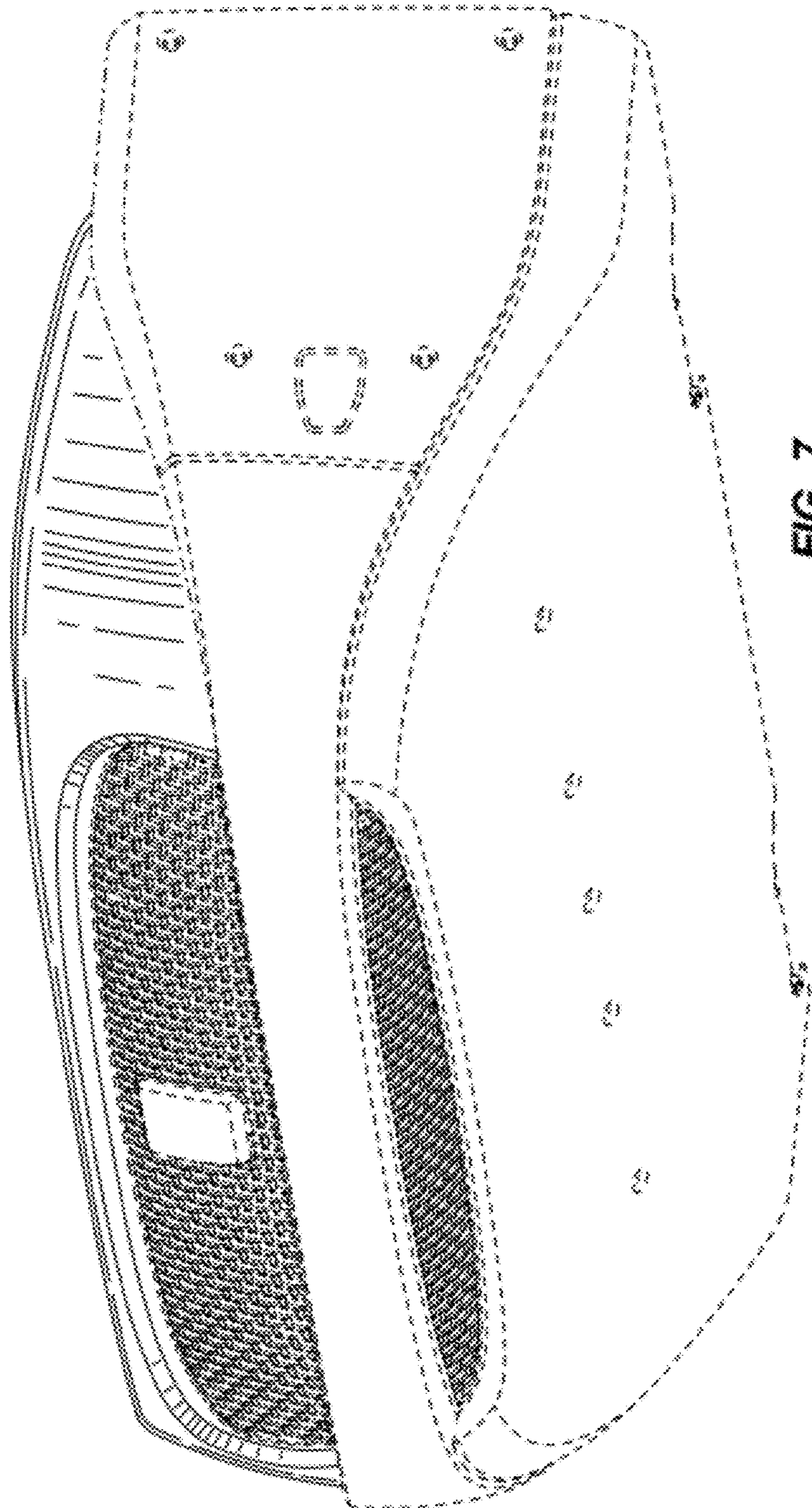


FIG. 7



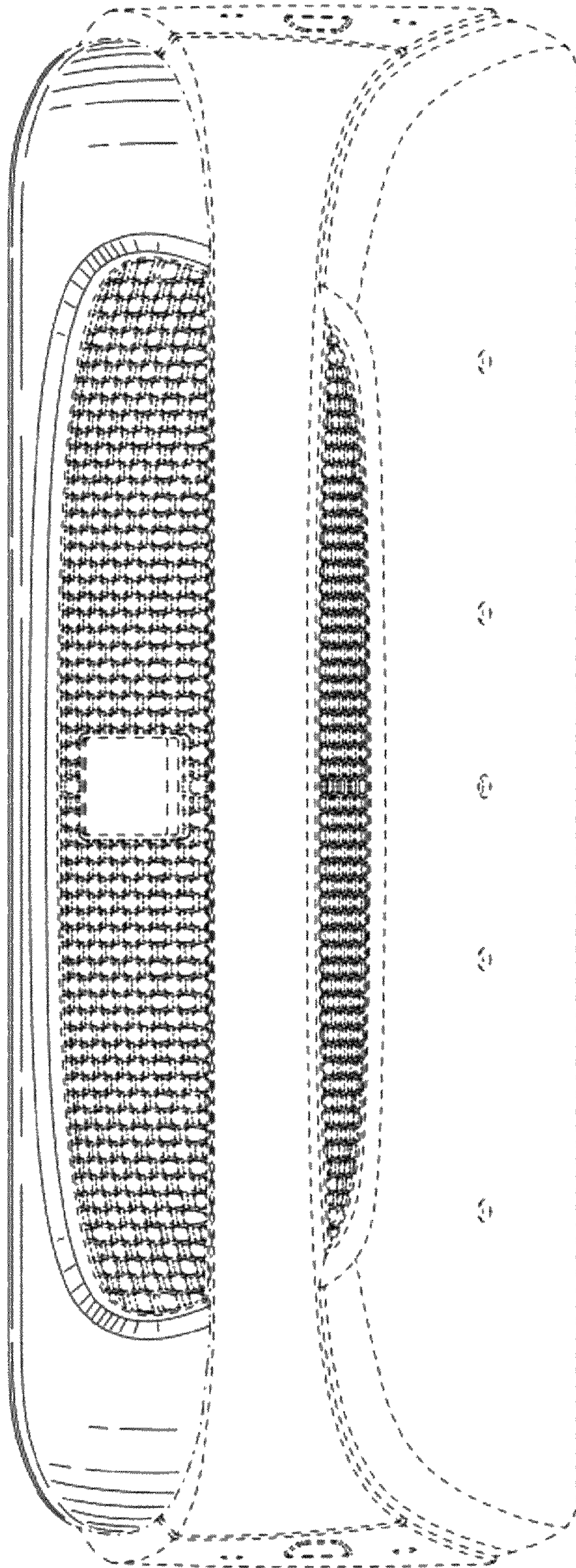


FIG. 8



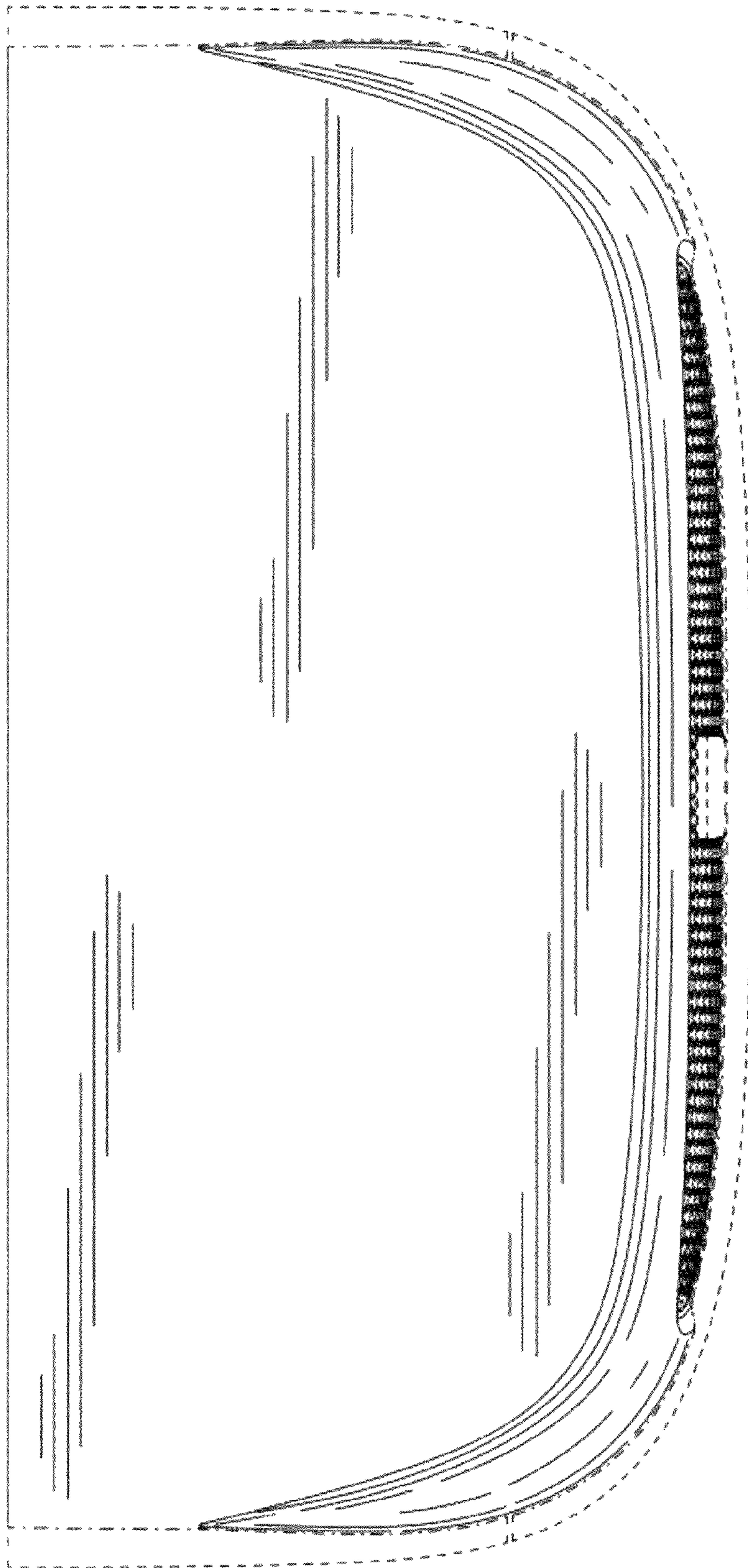


FIG. 9

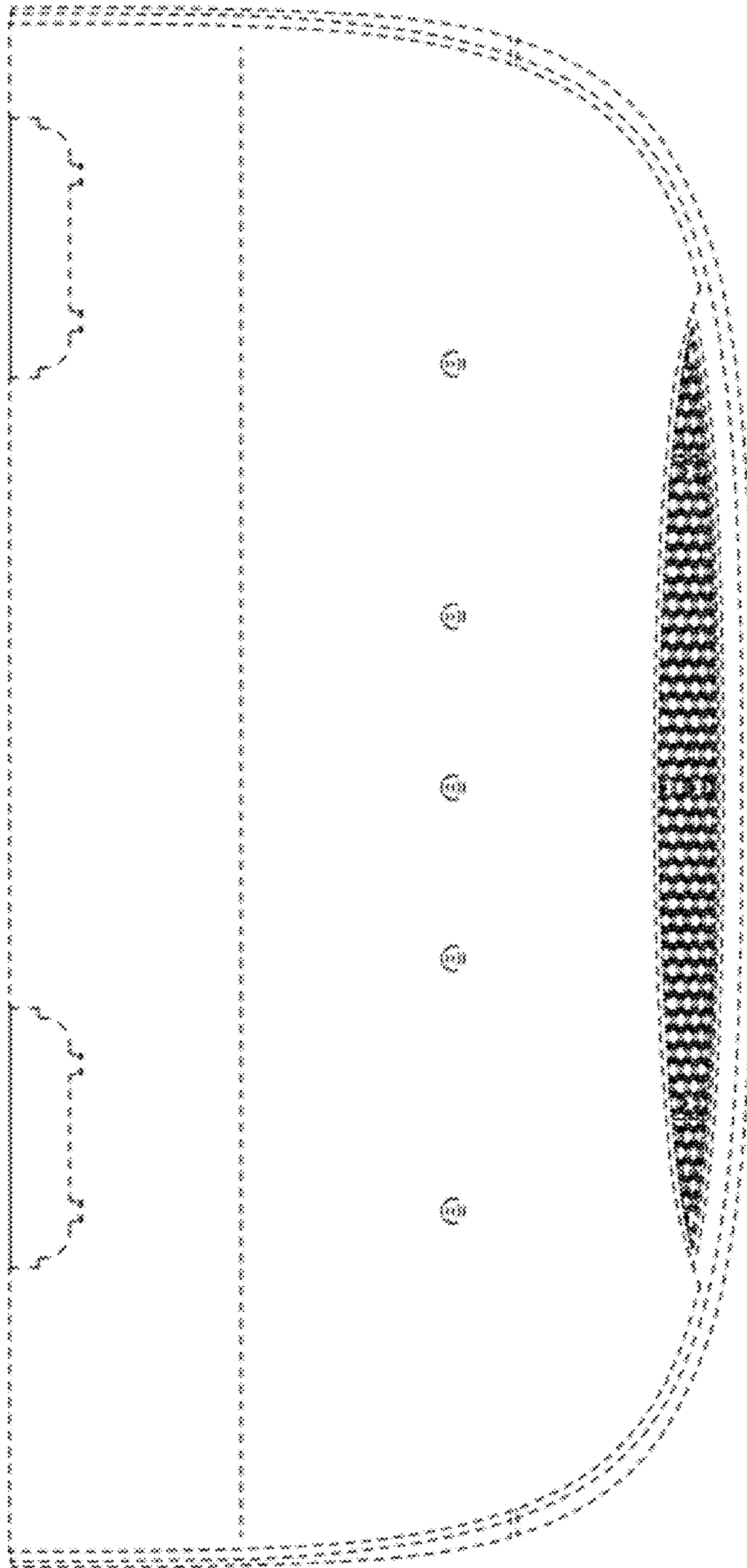
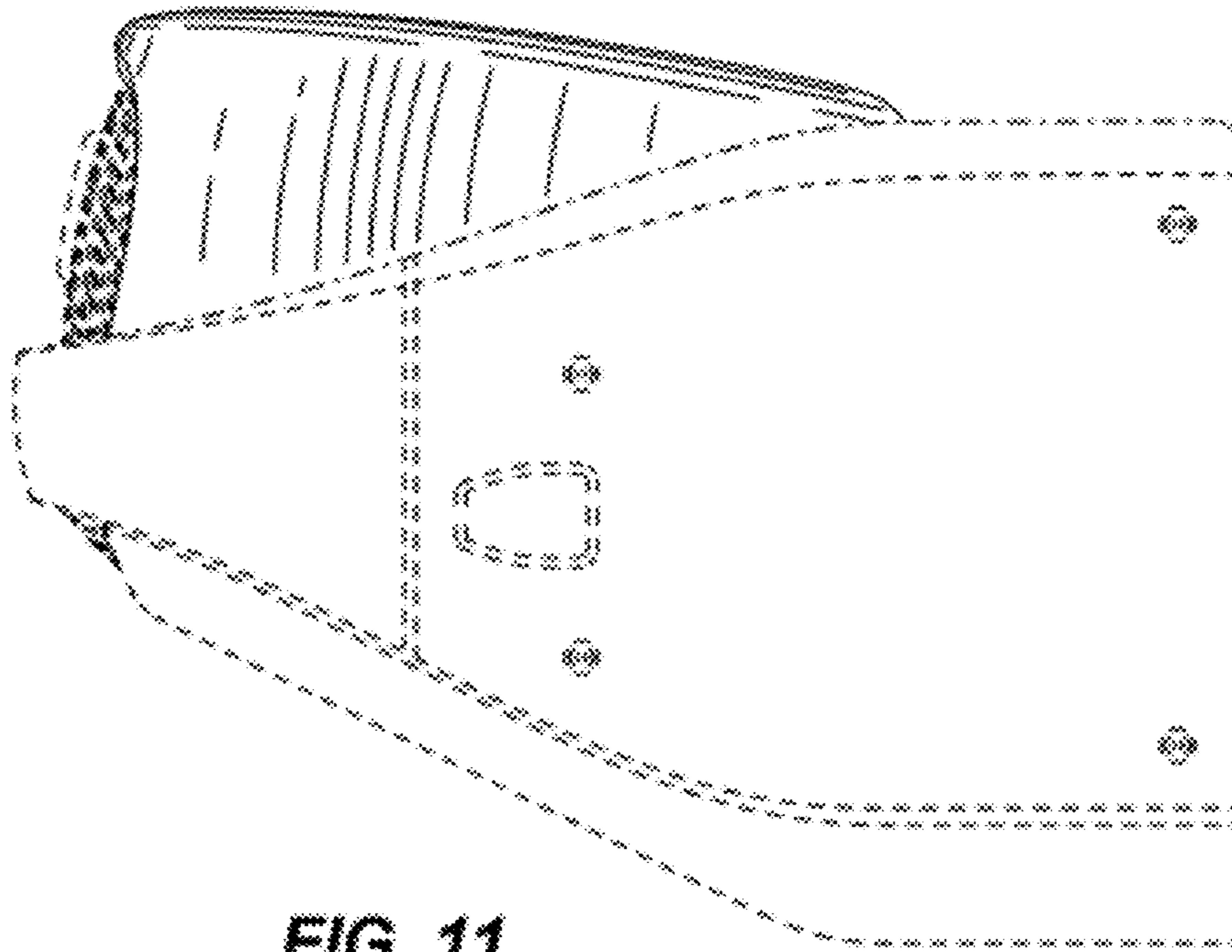
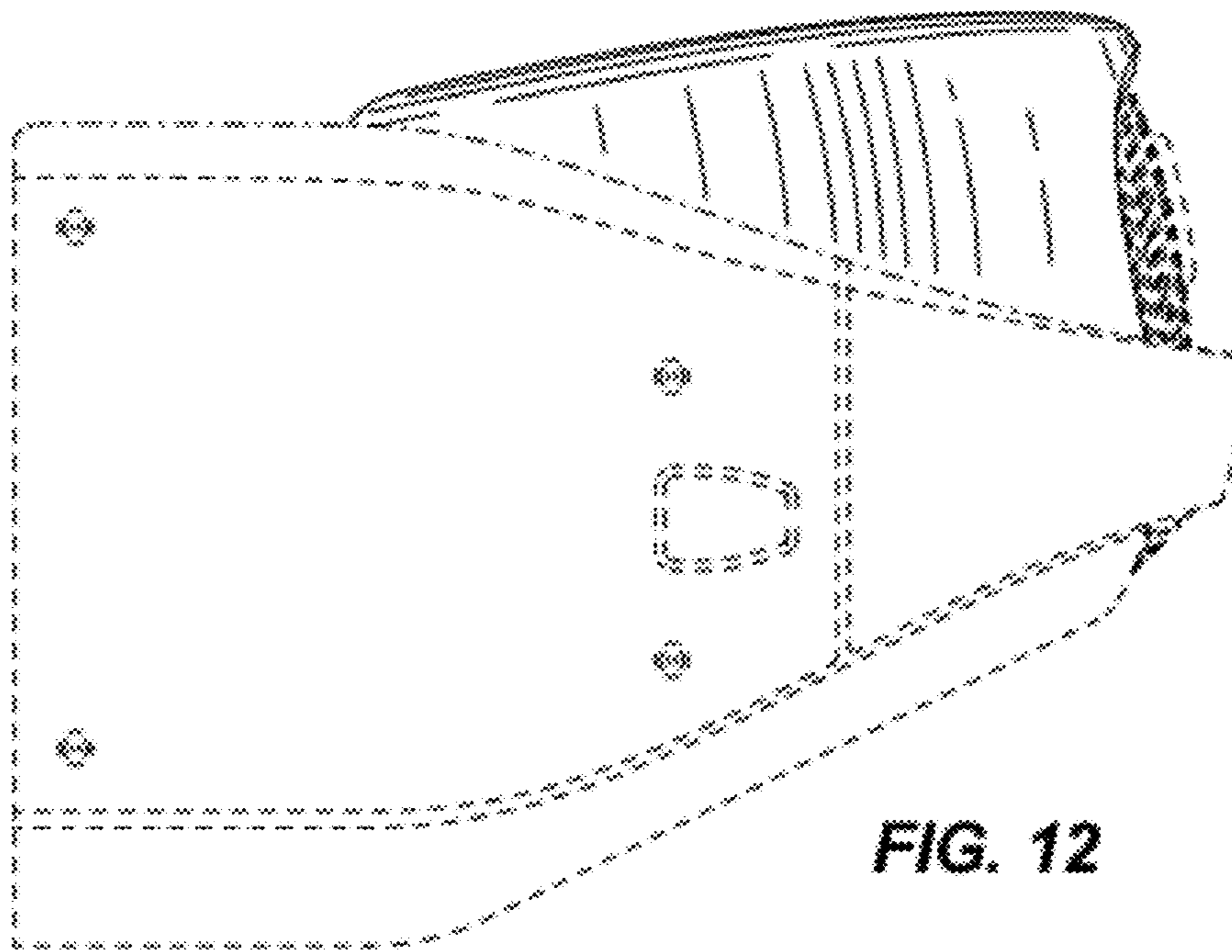


FIG. 10





**FIG. 11**



**FIG. 12**