

US00D657802S

(12) **United States Design Patent**  
**Flanagan et al.**

(10) **Patent No.:** **US D657,802 S**

(45) **Date of Patent:** **\*\* Apr. 17, 2012**

(54) **REFRIGERATION UNIT**

(75) Inventors: **Thomas Flanagan**, Bloomington, MN (US); **Martin Duffy**, Centennial, CO (US); **Scott Pearce**, Forest Lake, MN (US); **Bruce Kranz**, Farmington, MN (US); **Jason McVay**, Minneapolis, MN (US); **Jennifer Christianson**, Minneapolis, MN (US); **Richard Walters**, Hugo, MN (US)

(73) Assignee: **Thermo King Corporation**, Minneapolis, MN (US)

(\*\*) Term: **14 Years**

(21) Appl. No.: **29/408,789**

(22) Filed: **Dec. 16, 2011**

**Related U.S. Application Data**

(62) Division of application No. 29/323,200, filed on Aug. 20, 2008, now Pat. No. Des. 652,848.

(51) **LOC (9) Cl.** ..... **15-07**

(52) **U.S. Cl.** ..... **D15/79; D12/106**

(58) **Field of Classification Search** ..... D15/79, D15/81, 89; D12/101-106, 400, 181; 296/24.35, 296/180.4, 181.6, 51, 22; 62/239, 115, 236  
See application file for complete search history.

(56) **References Cited**

**U.S. PATENT DOCUMENTS**

4,087,125 A \* 5/1978 Stephens ..... 296/24.35  
4,221,421 A \* 9/1980 Bettker et al. .... 296/24.35  
4,310,192 A \* 1/1982 Fitzgerald ..... 296/180.4

4,468,060 A \* 8/1984 FitzGerald et al. .... 296/180.4  
5,161,848 A \* 11/1992 Lutton ..... 296/181.6  
5,222,373 A \* 6/1993 Waldschmidt ..... 62/239  
6,907,747 B2 \* 6/2005 Laizer ..... 62/239  
7,364,050 B2 \* 4/2008 Guard ..... 296/22  
7,406,834 B2 \* 8/2008 Williams ..... 62/115  
7,784,707 B2 \* 8/2010 Witty et al. .... 236/51

\* cited by examiner

*Primary Examiner* — Mitchell Siegel

(74) *Attorney, Agent, or Firm* — Michael Best & Friedrich LLP

(57) **CLAIM**

We claim the ornamental design for a refrigeration unit, as shown and described.

**DESCRIPTION**

FIG. 1 is a front perspective view a refrigeration unit embodying the invention.

FIG. 2 is a front view of the refrigeration unit of FIG. 1.

FIG. 3 is a top view of the refrigeration unit of FIG. 1.

FIG. 4 is a bottom view of the refrigeration unit of FIG. 1.

FIG. 5 is a right side view of the refrigeration unit of FIG. 1.

FIG. 6 is a left side view of the refrigeration unit of FIG. 1.

FIG. 7 is a front perspective view a refrigeration unit embodying the invention.

FIG. 8 is a front view of the refrigeration unit of FIG. 7.

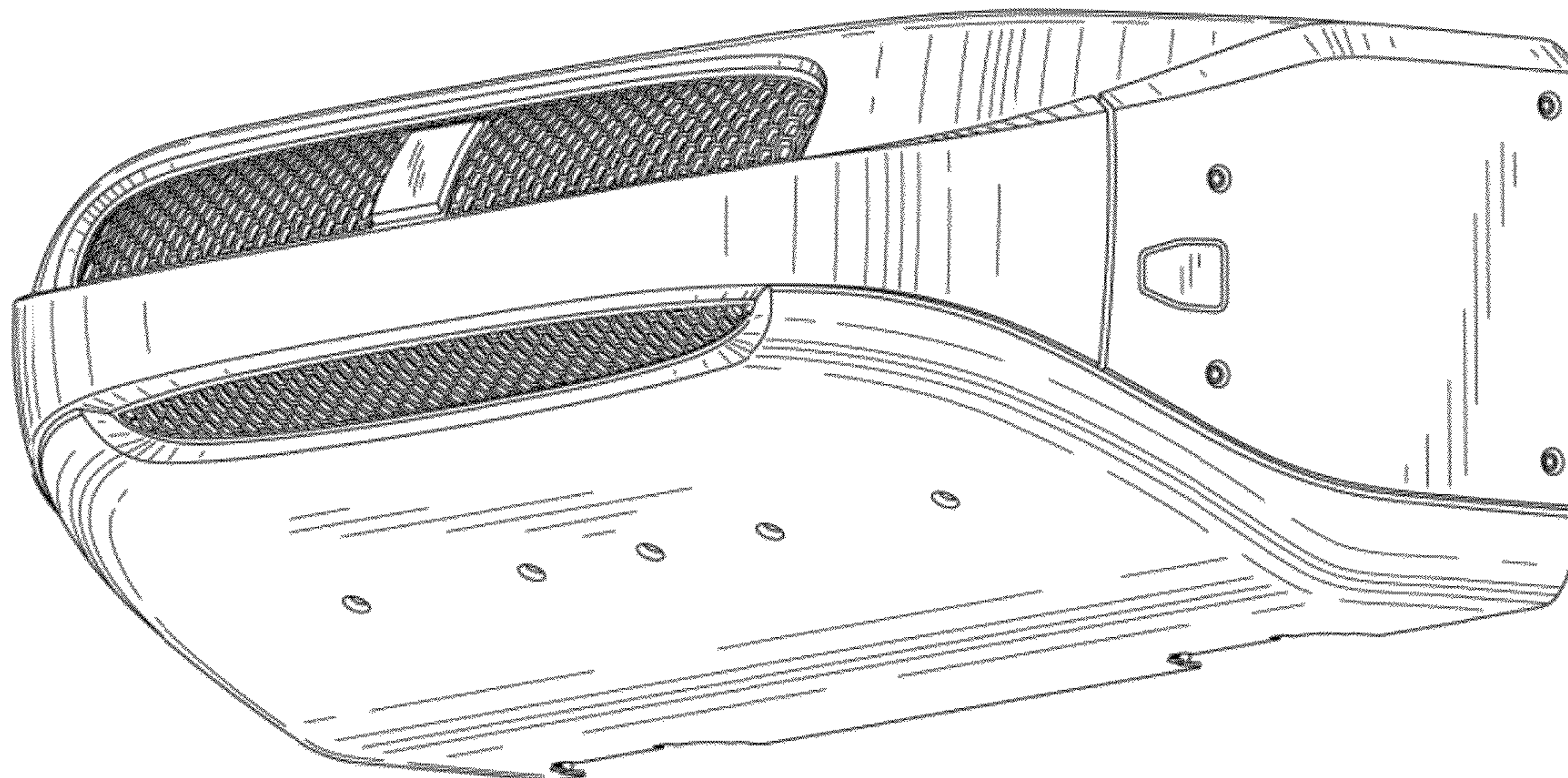
FIG. 9 is a top view of the refrigeration unit of FIG. 7.

FIG. 10 is a bottom view of the refrigeration unit of FIG. 7.

FIG. 11 is a right side view of the refrigeration unit of FIG. 7; and,

FIG. 12 is a left side view of the refrigeration unit of FIG. 7. The portions of the refrigeration unit shown in broken lines are included for the purpose of illustrating environment and form no part of the claimed design.

**1 Claim, 10 Drawing Sheets**





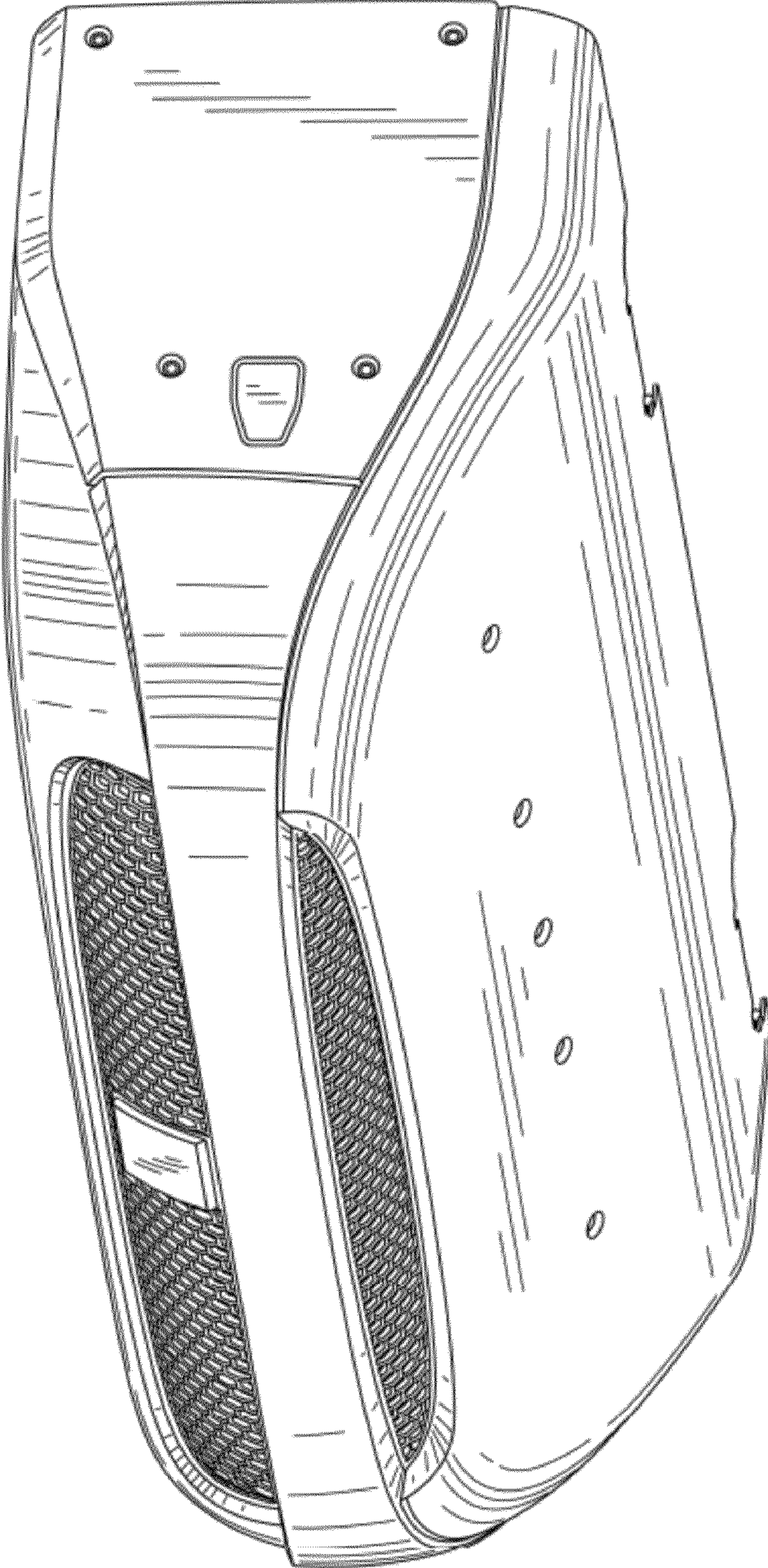


FIG. 1



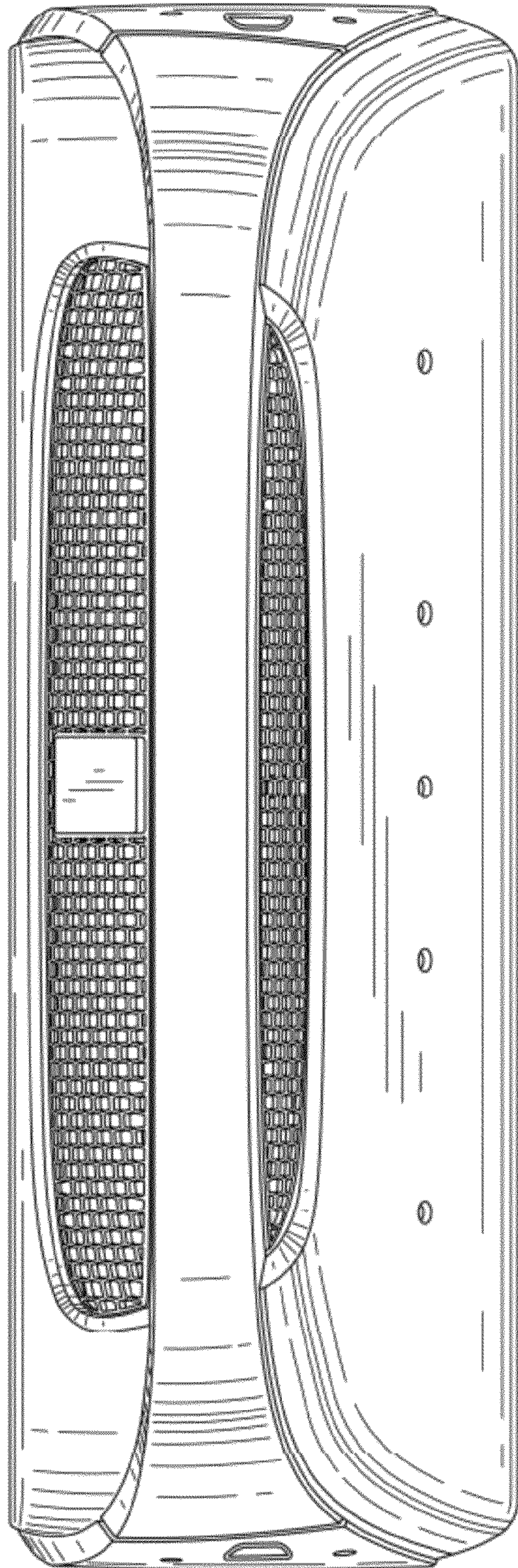


FIG. 2



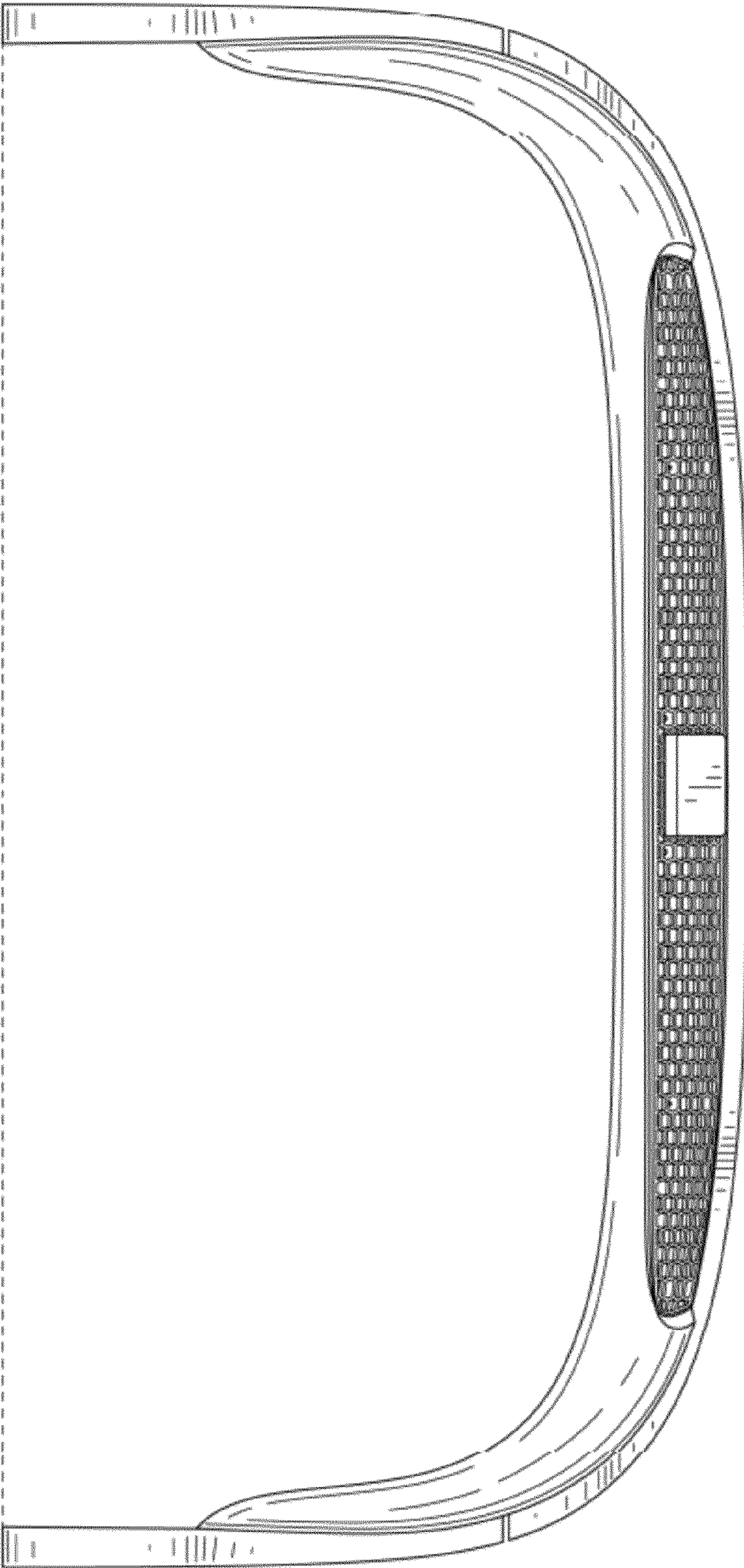


FIG. 3



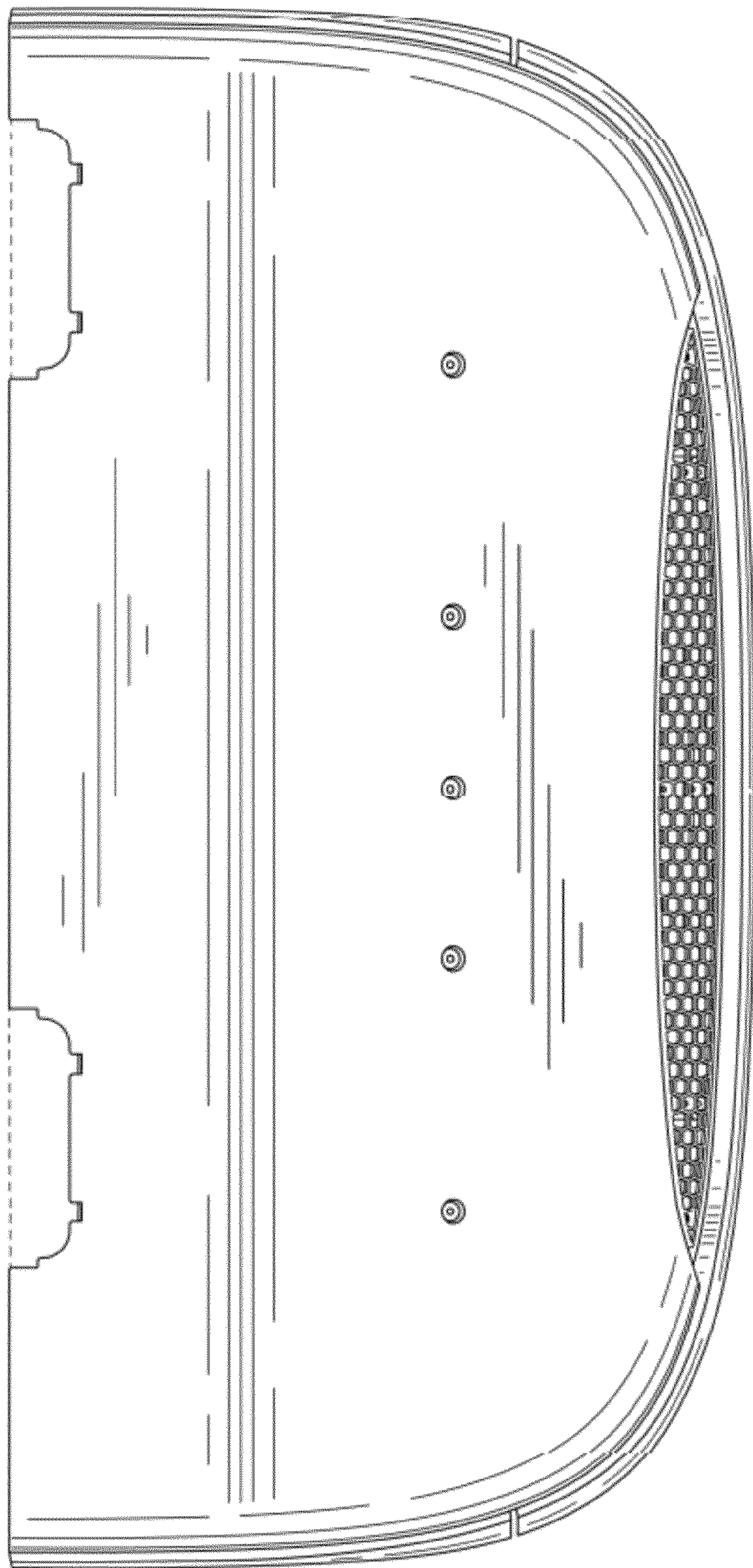
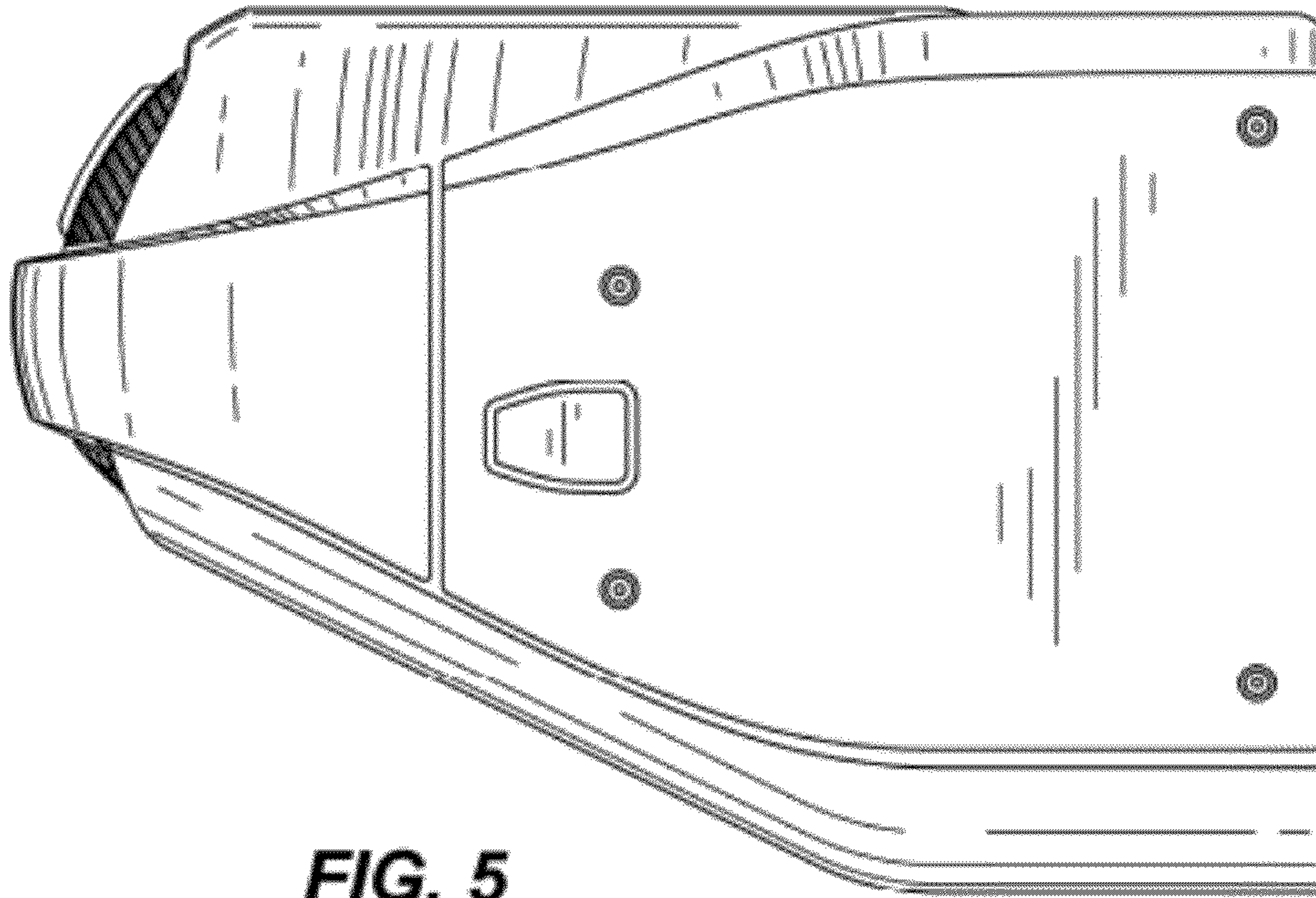
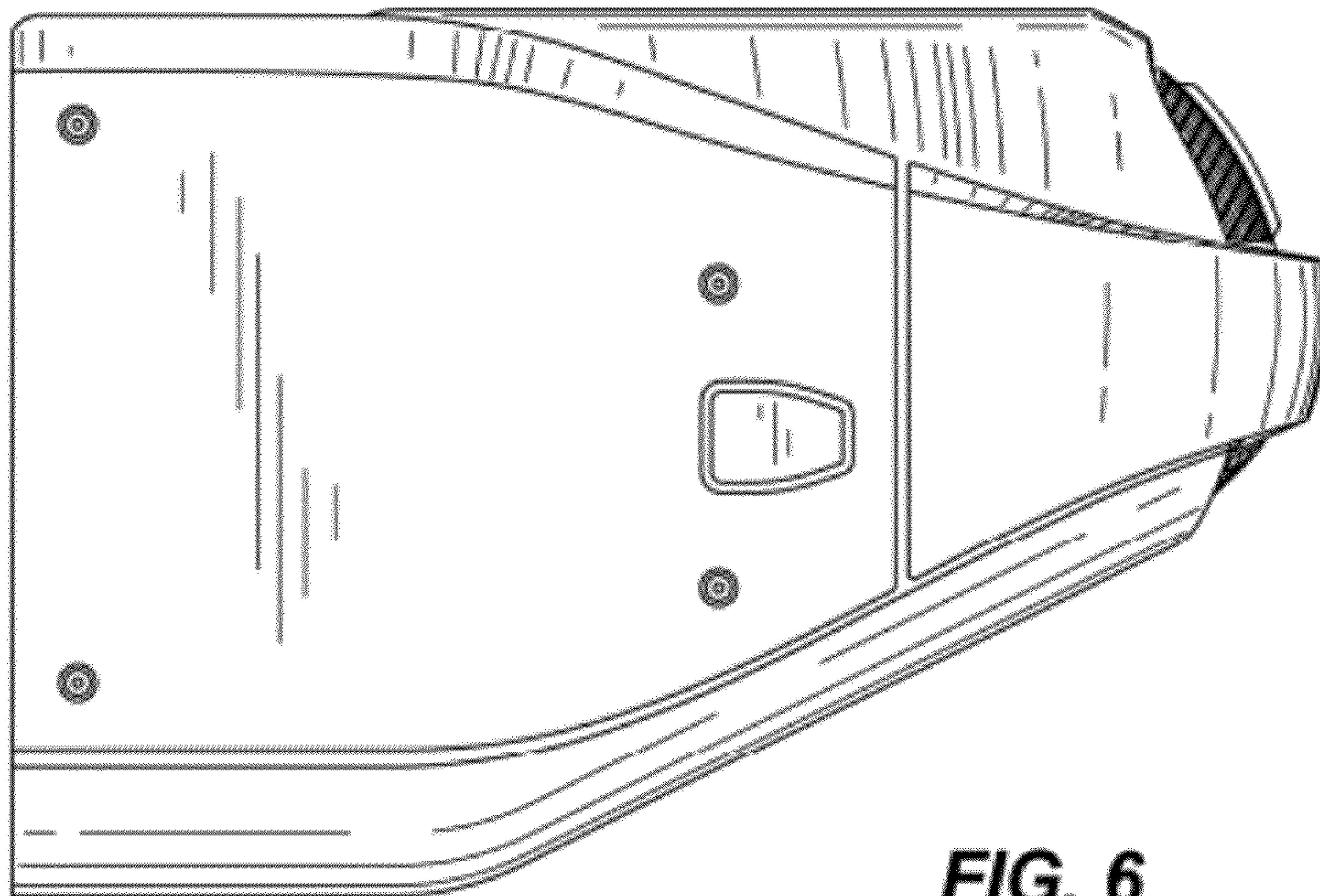


FIG. 4





**FIG. 5**



**FIG. 6**



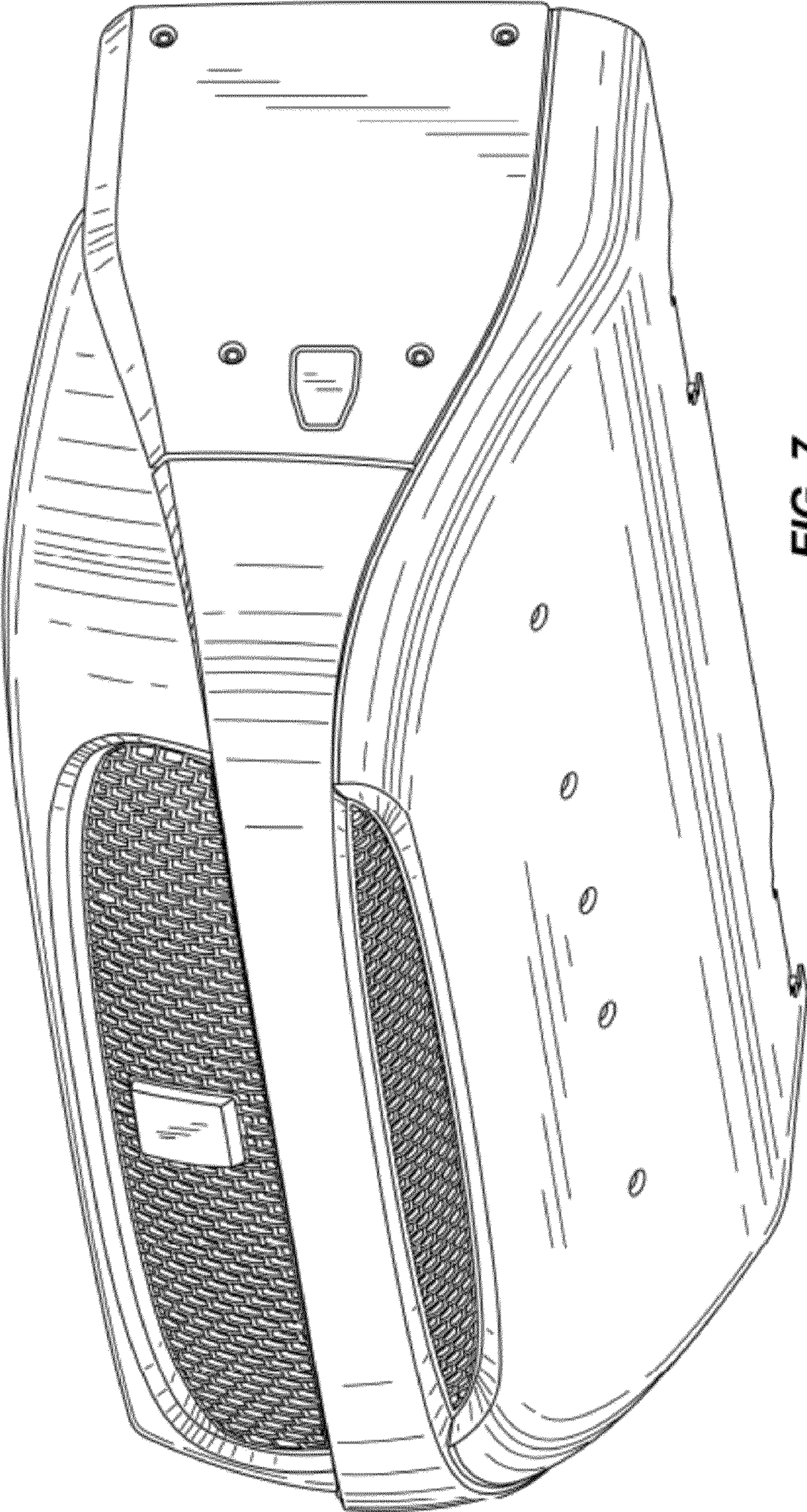


FIG. 7



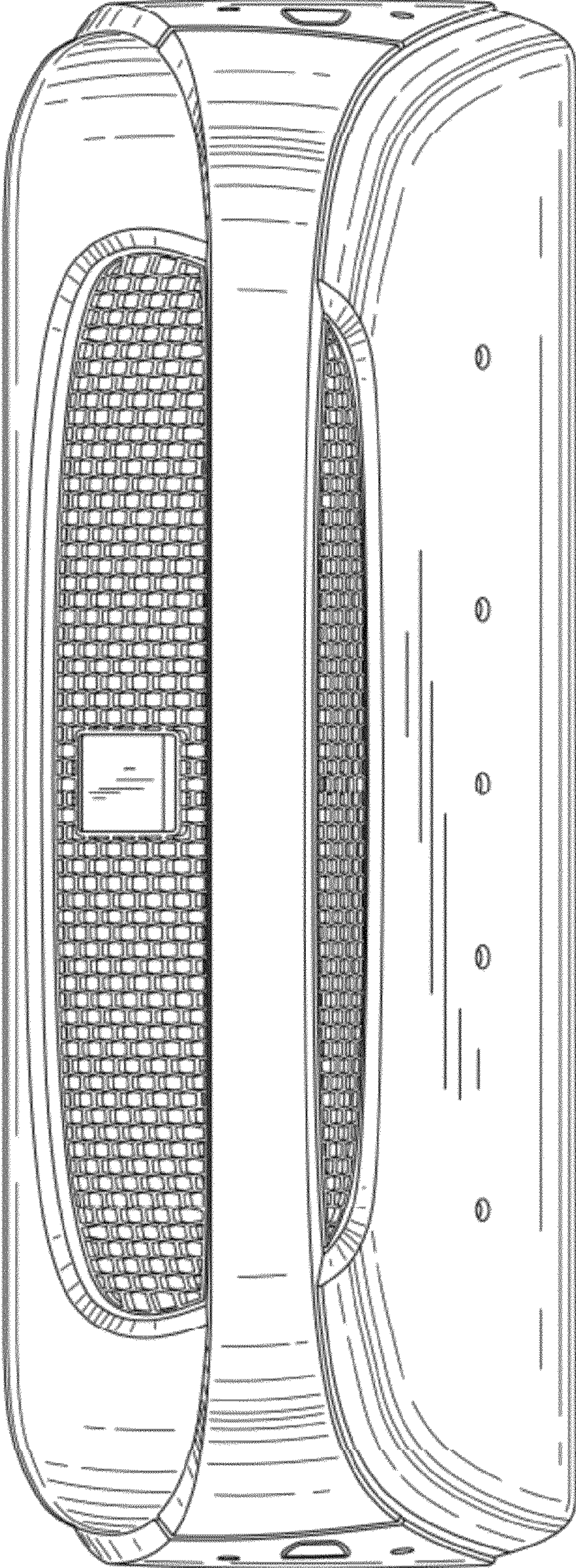


FIG. 8



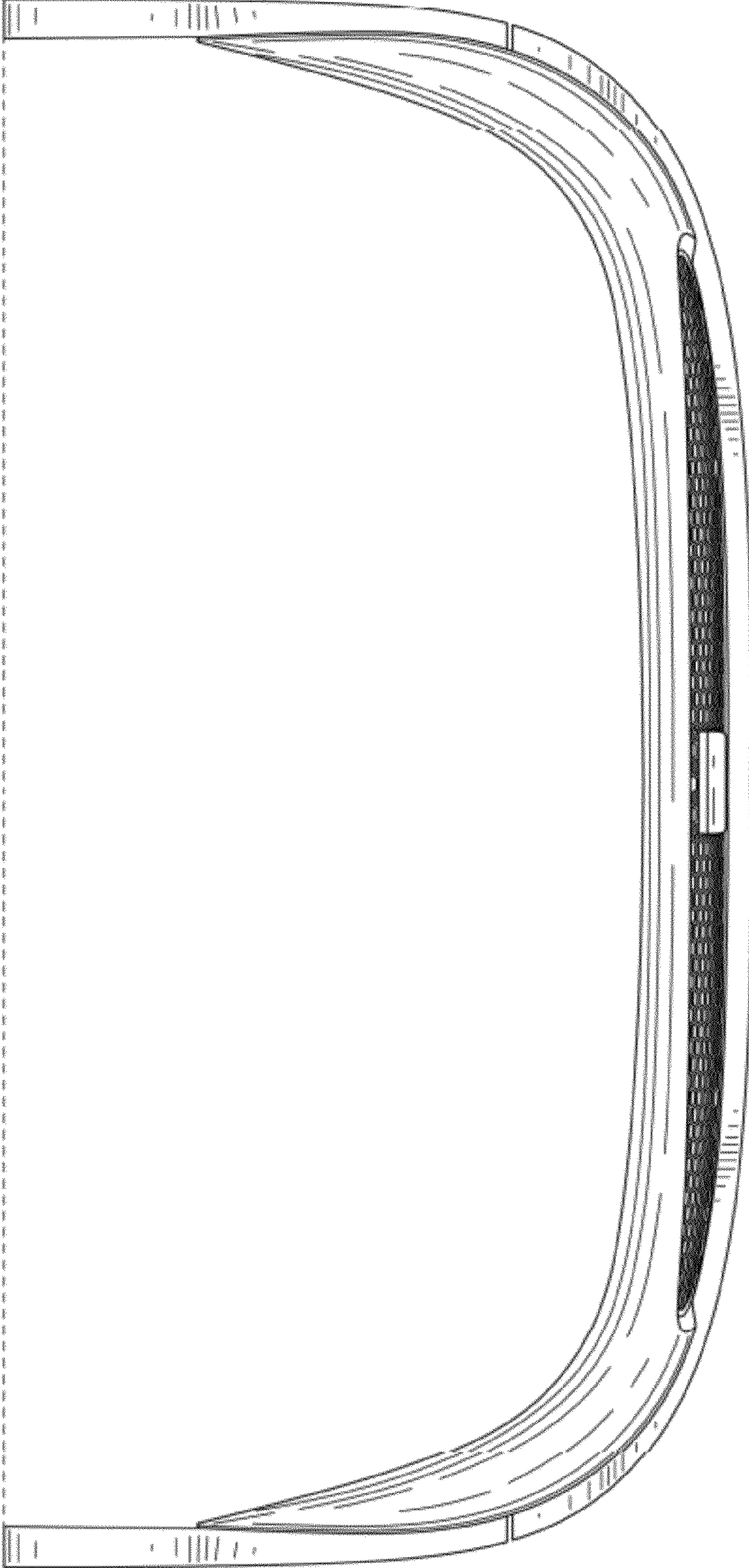


FIG. 9



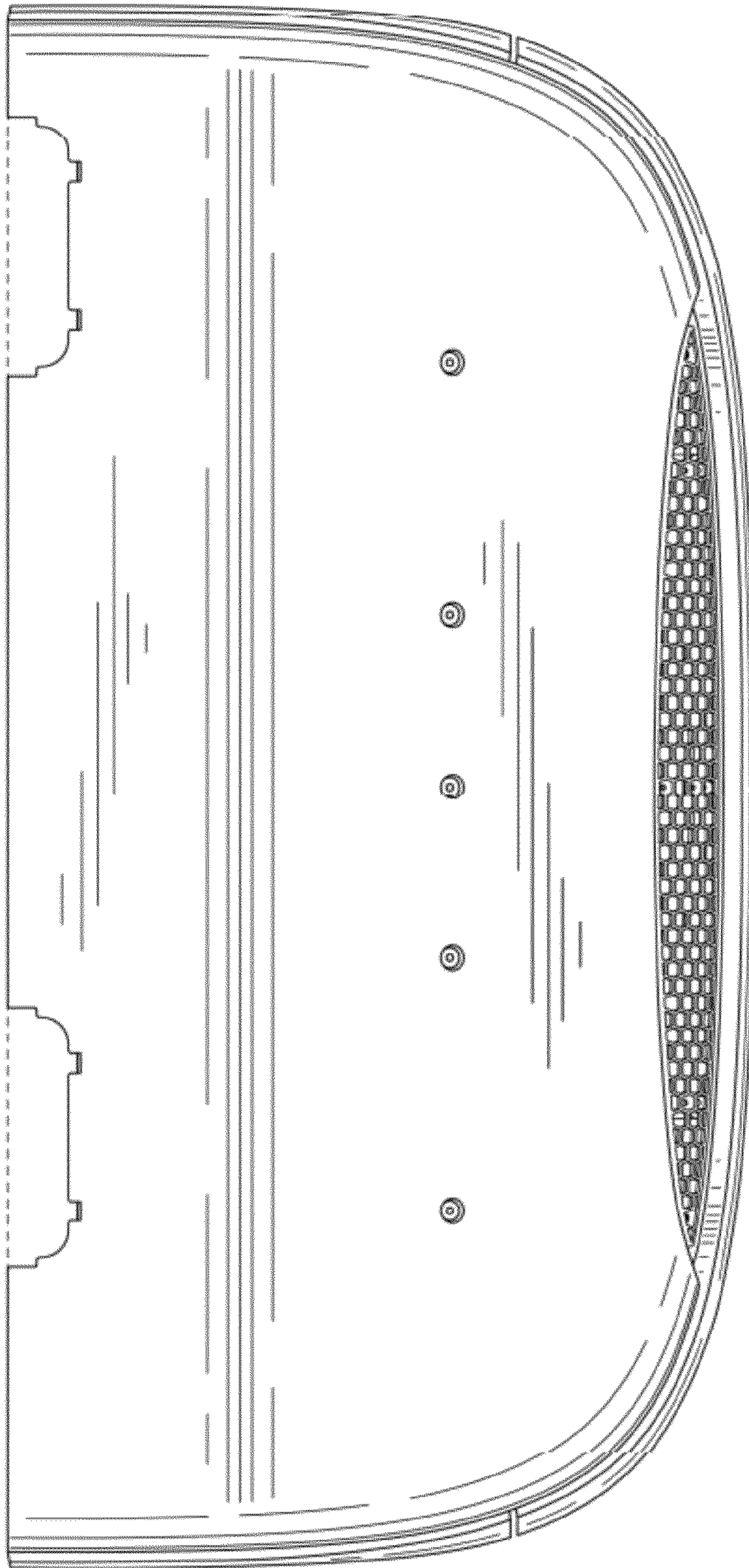
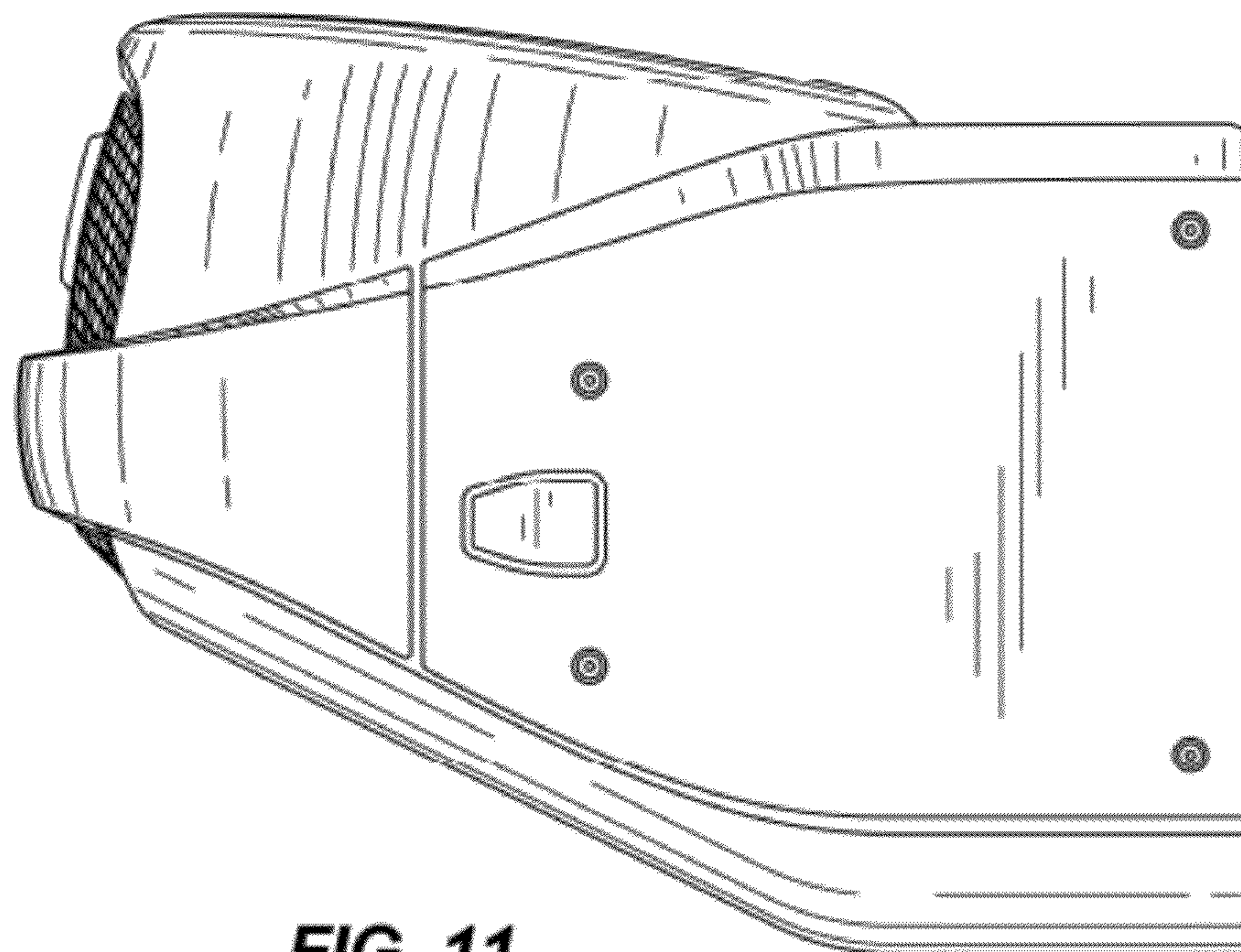
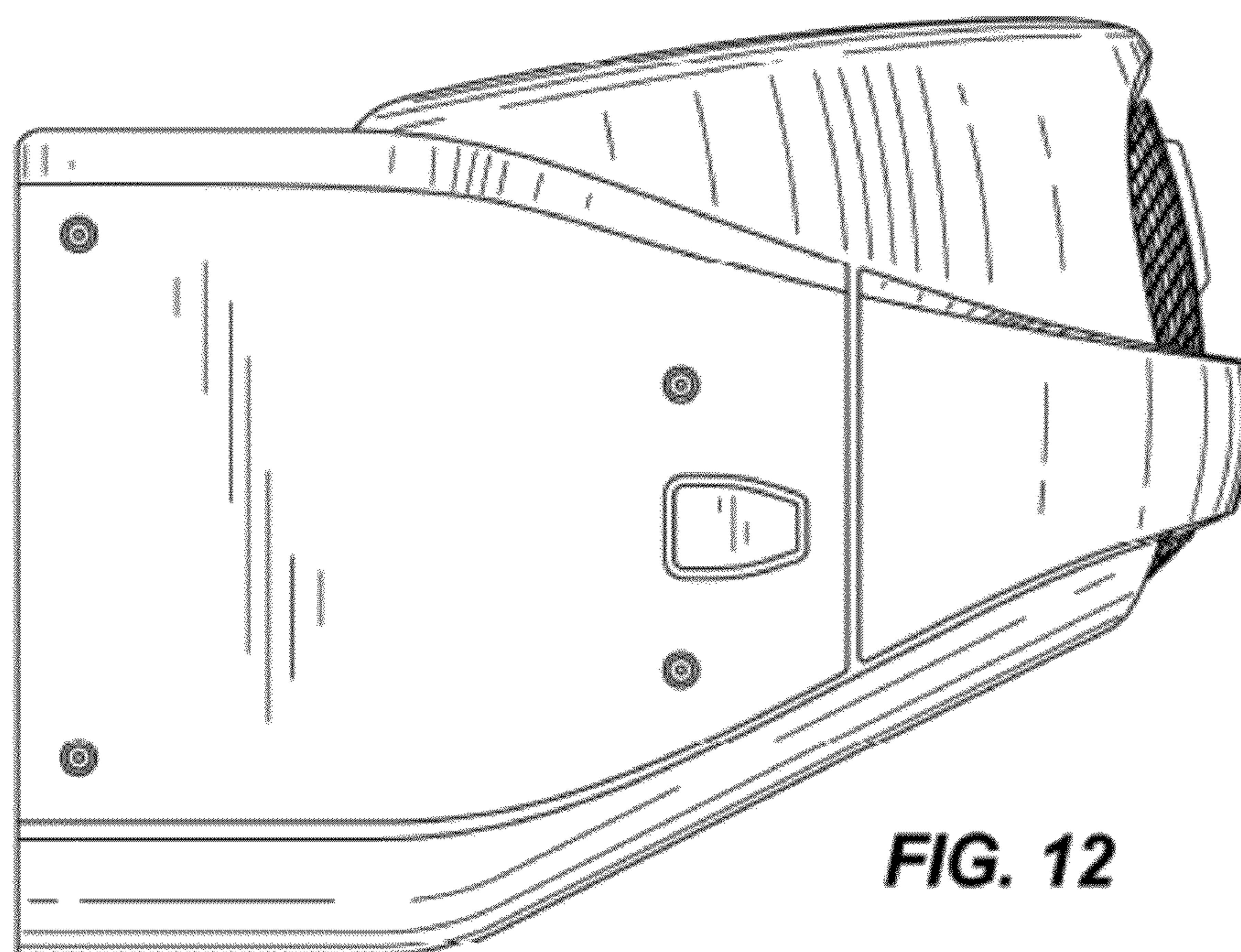


FIG. 10





**FIG. 11**



**FIG. 12**