



US00D657801S

(12) **United States Design Patent**  
**Eckhardt**

(10) **Patent No.:** **US D657,801 S**

(45) **Date of Patent:** **\*\* Apr. 17, 2012**

(54) **COMPRESSOR**

(75) Inventor: **Arnold Eckhardt**, Ranstadt (DE)

(73) Assignee: **Sumitomo Rubber Industries, Ltd.**,  
Kobe (JP)

(\*\*) Term: **14 Years**

(21) Appl. No.: **29/393,926**

(22) Filed: **Jun. 10, 2011**

(51) **LOC (9) Cl.** ..... **15-02**

(52) **U.S. Cl.** ..... **D15/9**

(58) **Field of Classification Search** ..... D15/7-9;  
D23/231, 232, 225; 417/410.1, 359, 415-416,  
417/234, 321, 265, 405

See application file for complete search history.

(56) **References Cited**

**U.S. PATENT DOCUMENTS**

D471,209	S	*	3/2003	Wang	.....	D15/9
D498,243	S	*	11/2004	Chou	.....	D15/7
D498,767	S	*	11/2004	Chou	.....	D15/7
D498,769	S	*	11/2004	Chou	.....	D15/9
D499,426	S	*	12/2004	Chou	.....	D15/7
D582,945	S	*	12/2008	Chou	.....	D15/9
D626,571	S	*	11/2010	Eckhardt	.....	D15/9
D627,795	S	*	11/2010	Eckhardt	.....	D15/9
D627,796	S	*	11/2010	Eckhardt	.....	D15/9
D629,424	S	*	12/2010	Eckhardt	.....	D15/9
D644,252	S	*	8/2011	Kojima	.....	D15/9
D648,353	S	*	11/2011	Mattson et al.	.....	D15/7

\* cited by examiner

*Primary Examiner* — Ralf Seifert

(74) *Attorney, Agent, or Firm* — Birch, Stewart, Kolasch & Birch, LLP

(57) **CLAIM**

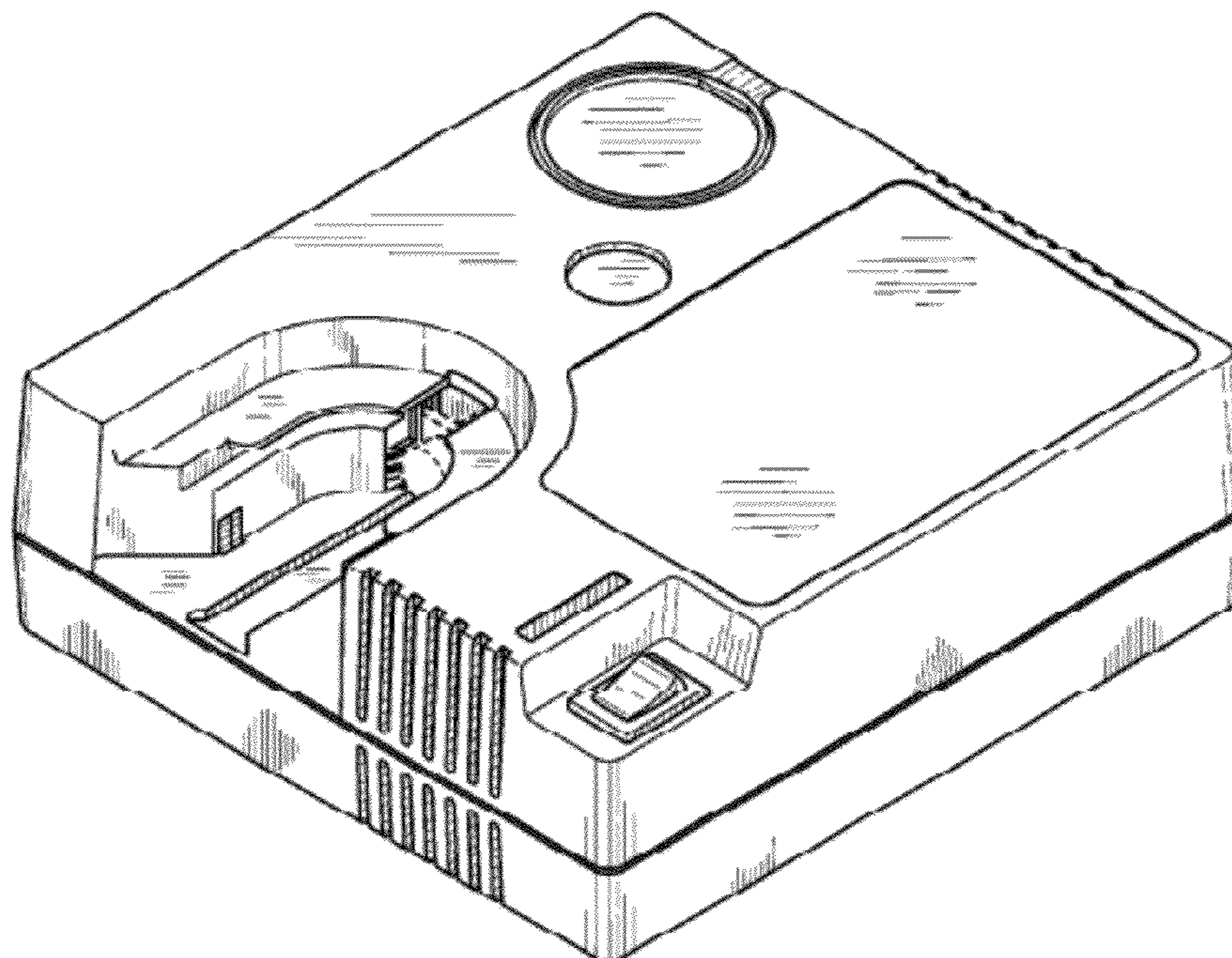
The ornamental design for a compressor, as shown and described.

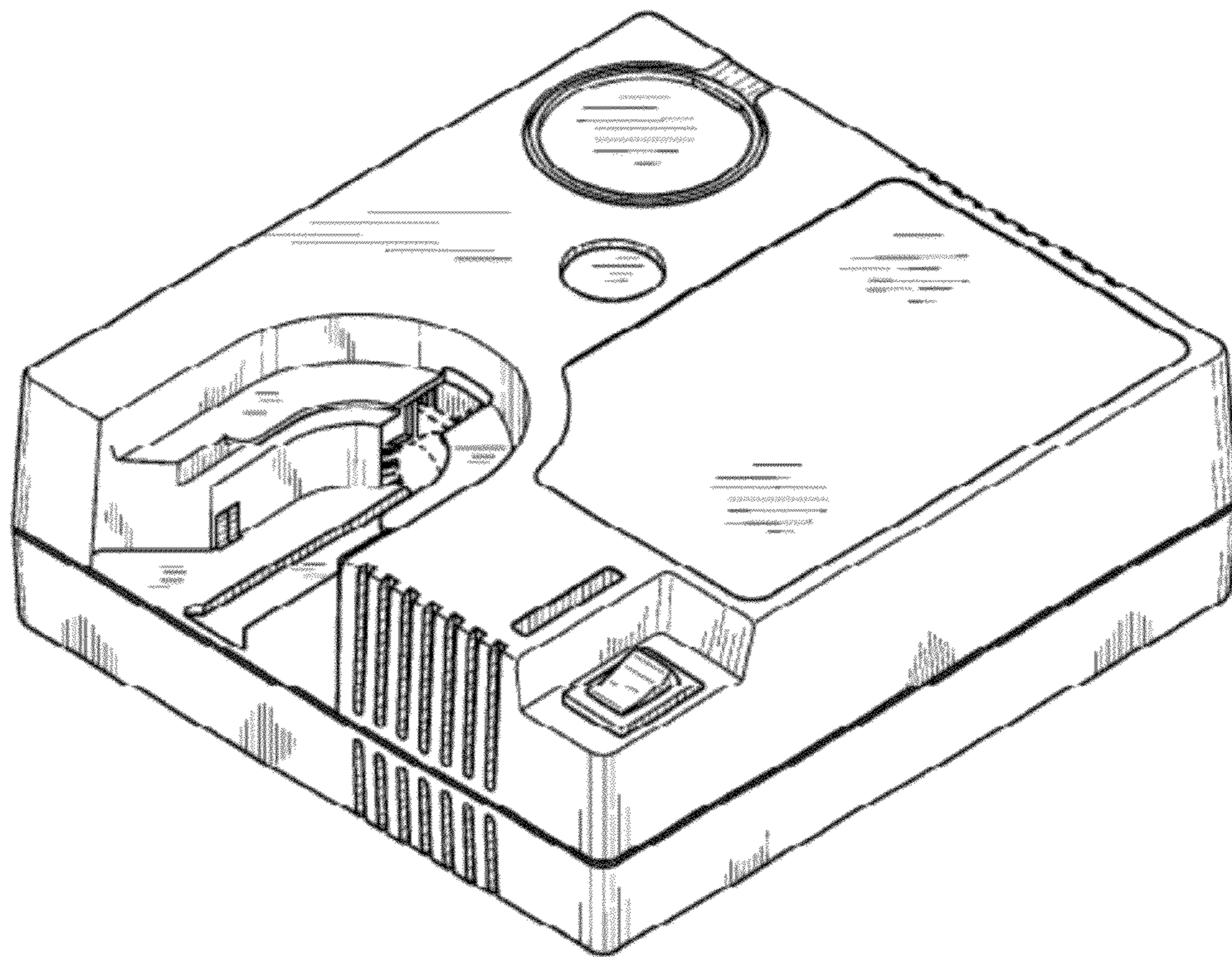
**DESCRIPTION**

FIG. 1 is a front, left, top perspective view of a first embodiment of a compressor showing my new design;  
 FIG. 2 is a rear, right, bottom perspective view thereof;  
 FIG. 3 is a top view thereof;  
 FIG. 4 is a bottom view thereof;  
 FIG. 5 is a left side view thereof;  
 FIG. 6 is a right side view thereof;  
 FIG. 7 is a rear view thereof;  
 FIG. 8 is a front view thereof  
 FIG. 9 is a front, left, top perspective view of a second embodiment of a compressor showing my new design;  
 FIG. 10 is a rear, right, bottom perspective view of FIG. 9;  
 FIG. 11 is a top view of FIG. 9;  
 FIG. 12 is a bottom view of FIG. 9;  
 FIG. 13 is a left side view of FIG. 9;  
 FIG. 14 is a right side view of FIG. 9;  
 FIG. 15 is a rear view of FIG. 9; and,  
 FIG. 16 is a front view of FIG. 9.

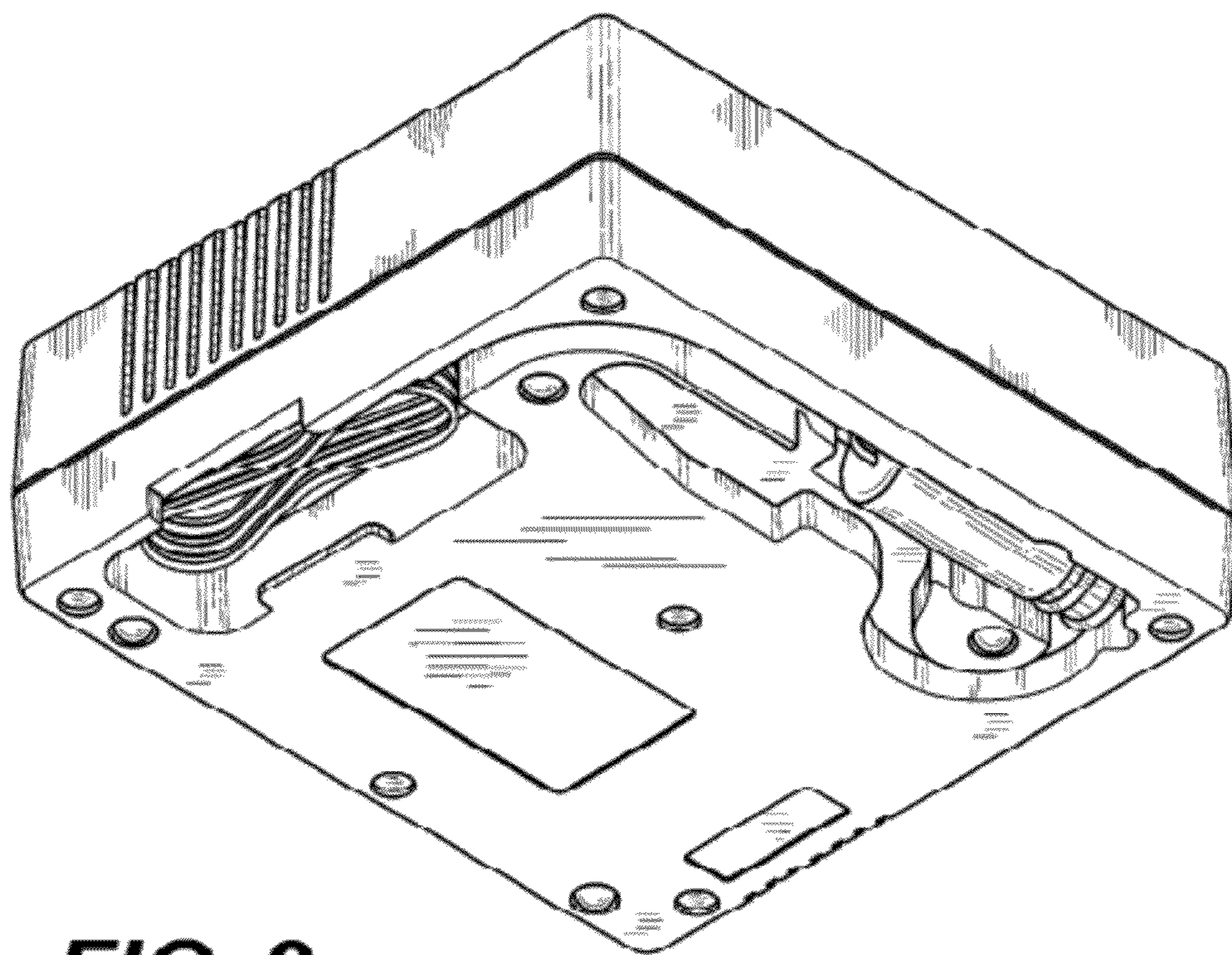
The broken lines in FIGS. 1, 3, 5, 9, 11 and 13 are included for the purpose of illustrating portions of the portable compressor that form no part of the claimed design.

**1 Claim, 8 Drawing Sheets**

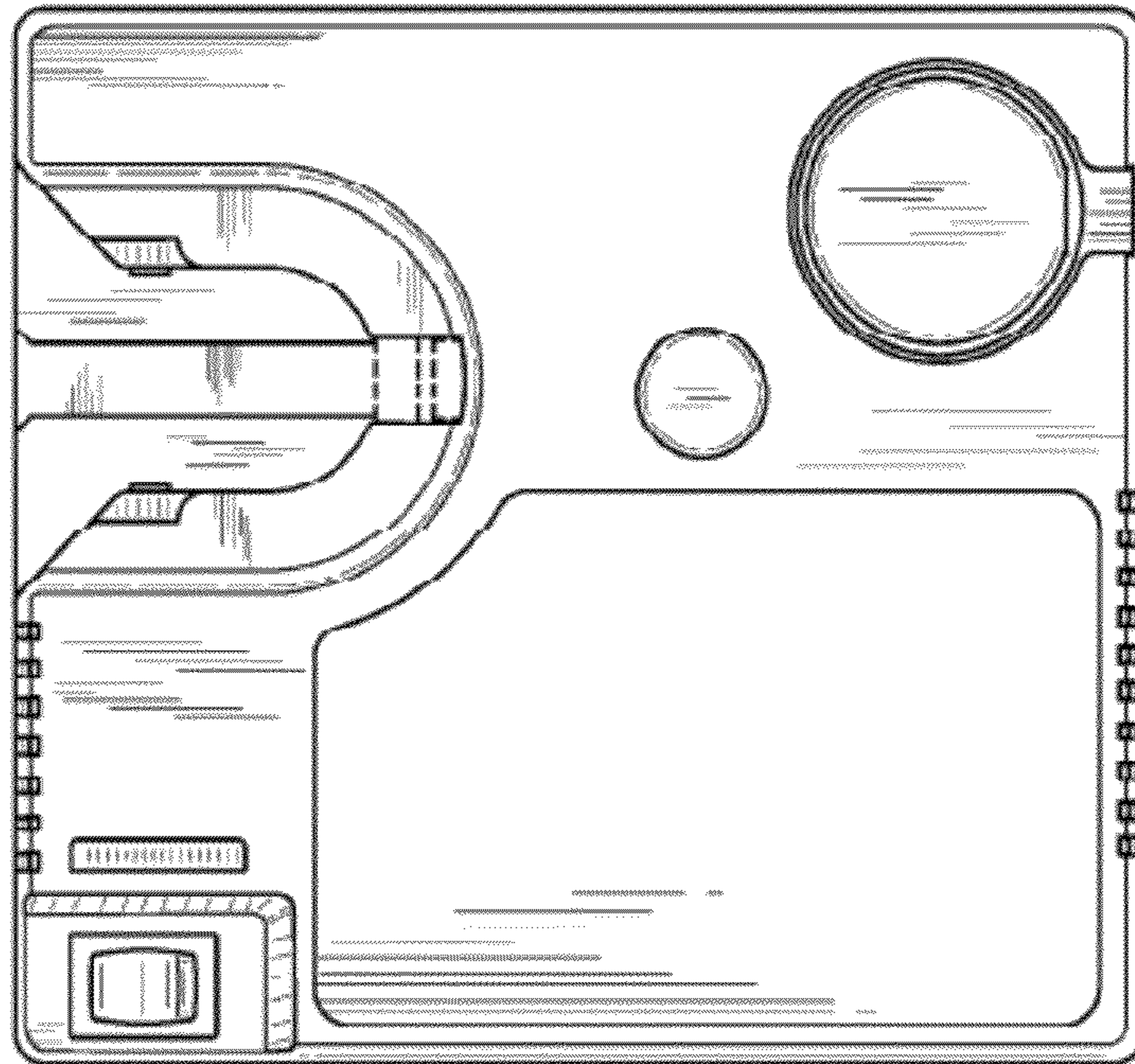




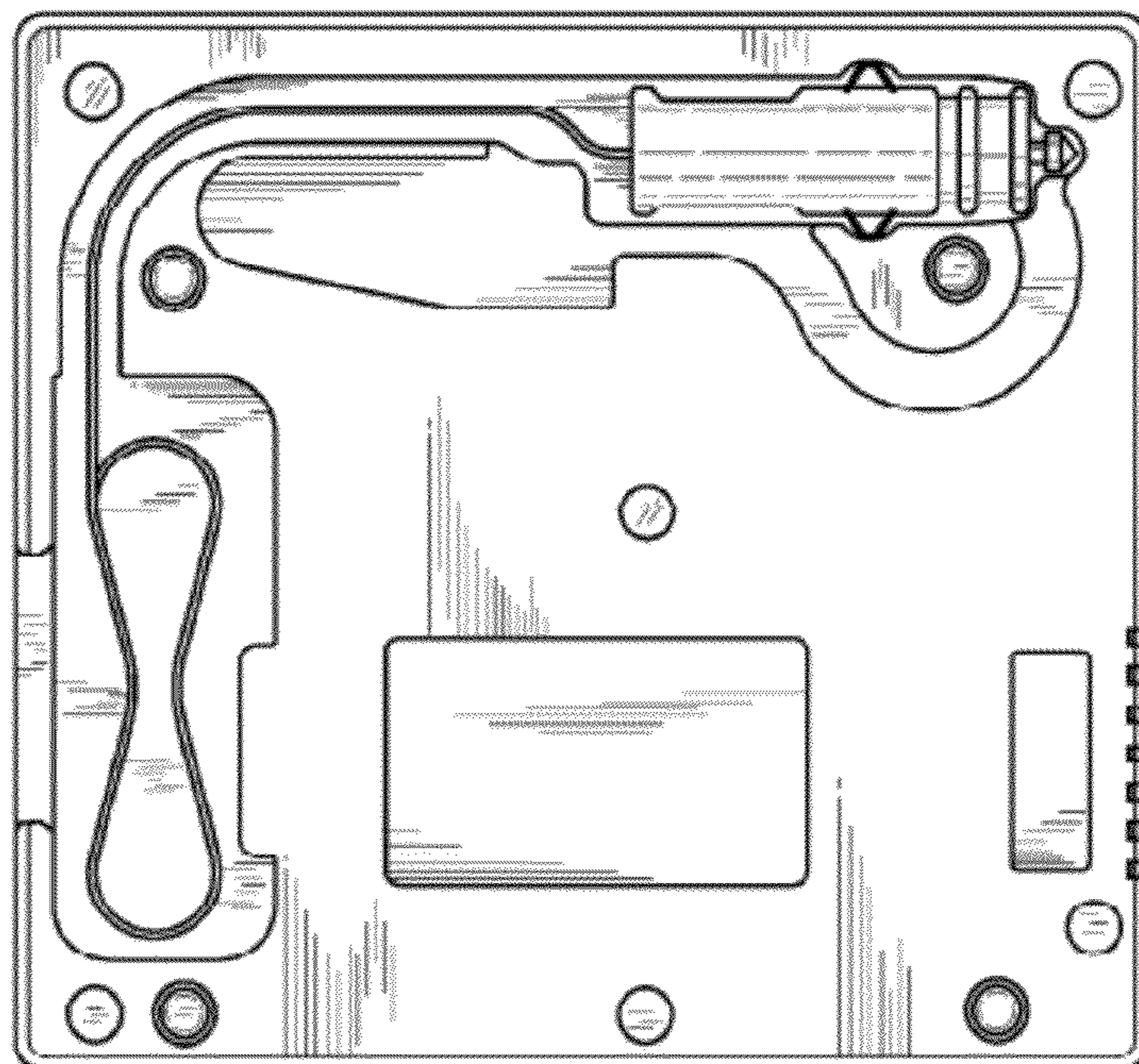
**FIG. 1**



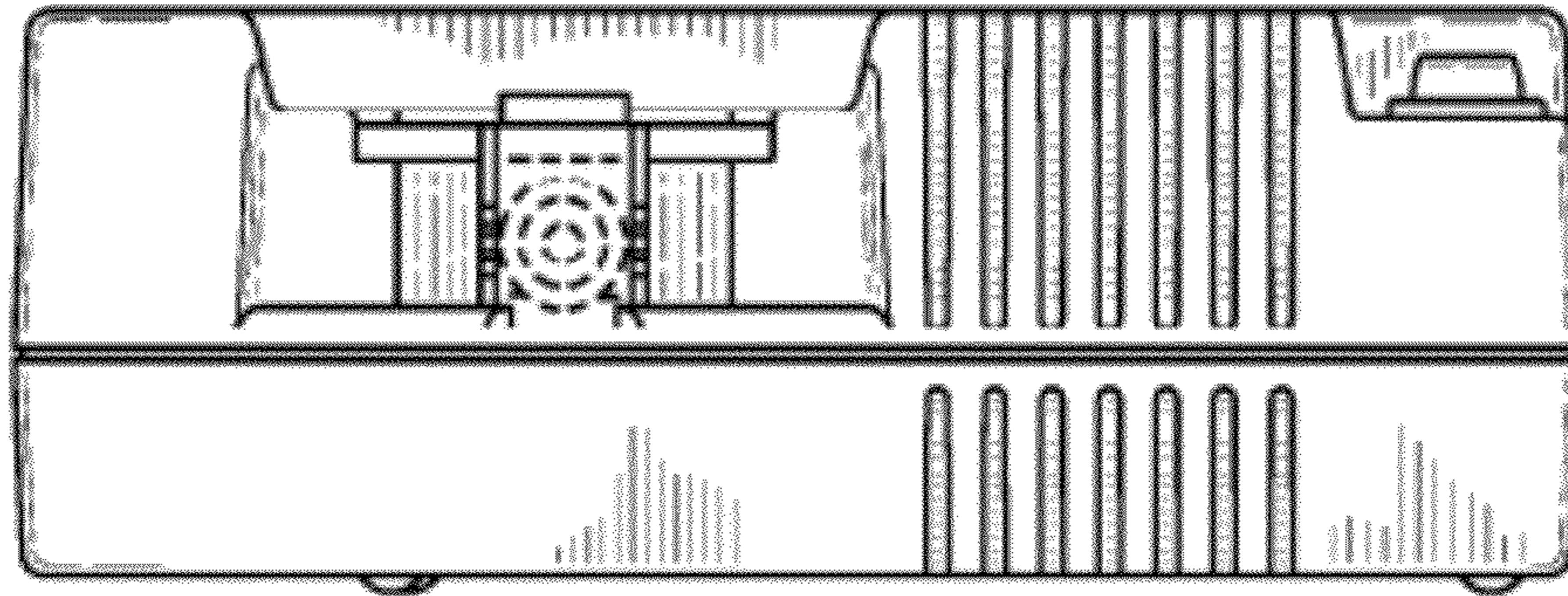
**FIG. 2**



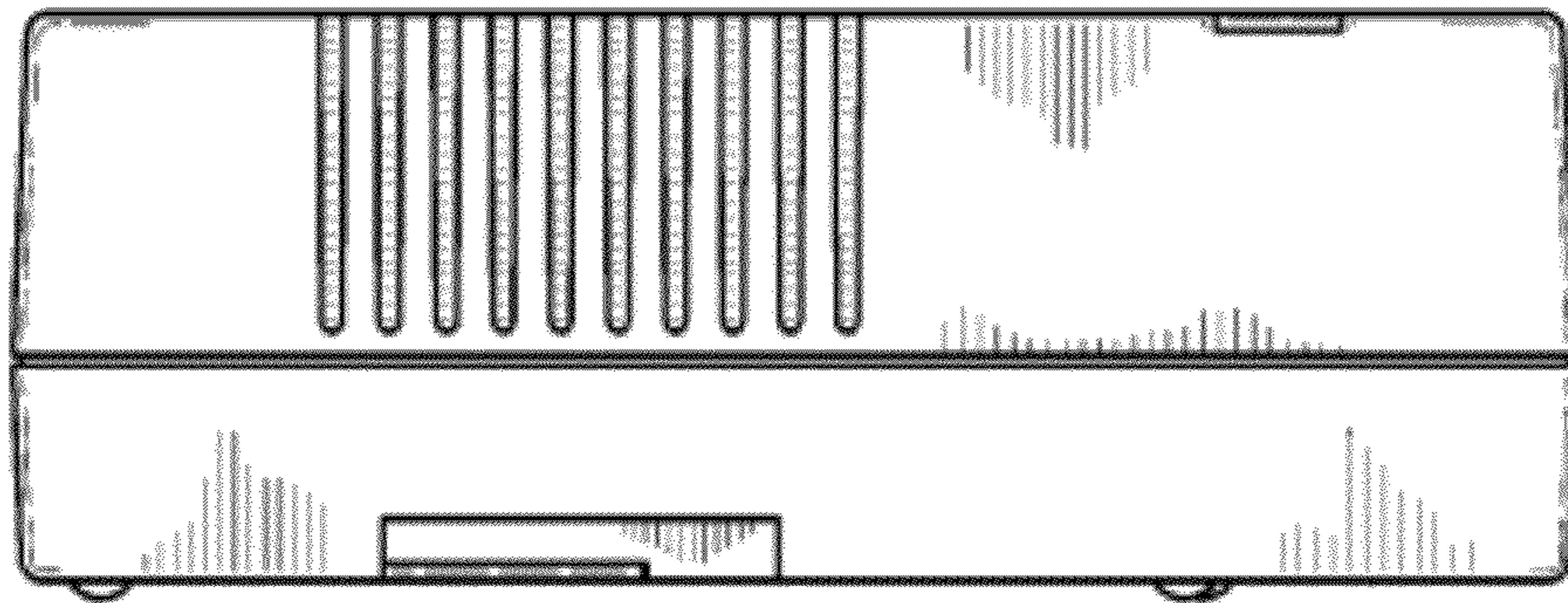
**FIG. 3**



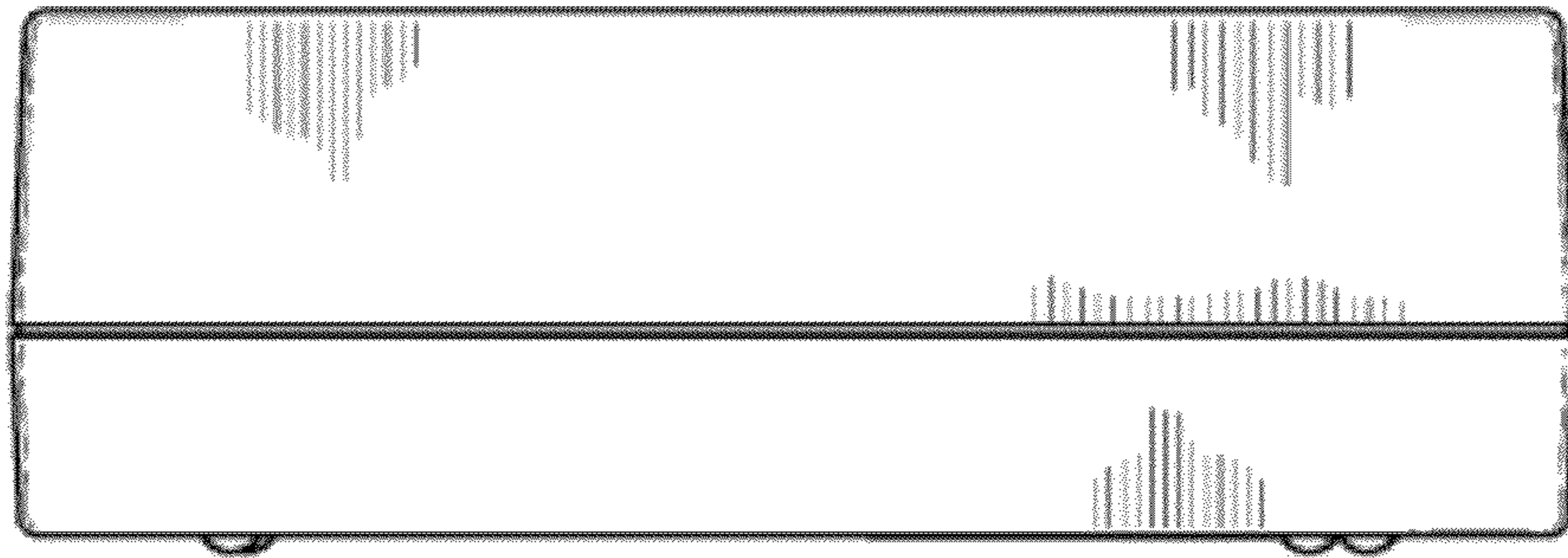
**FIG. 4**



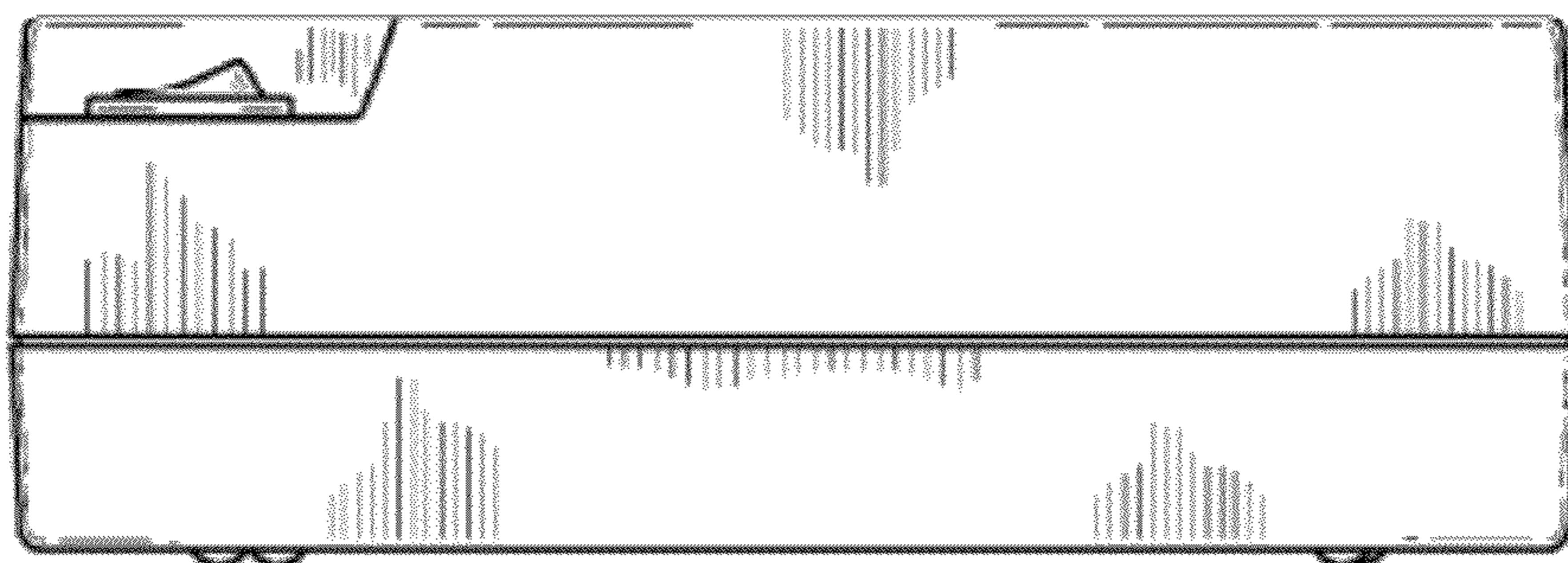
**FIG. 5**



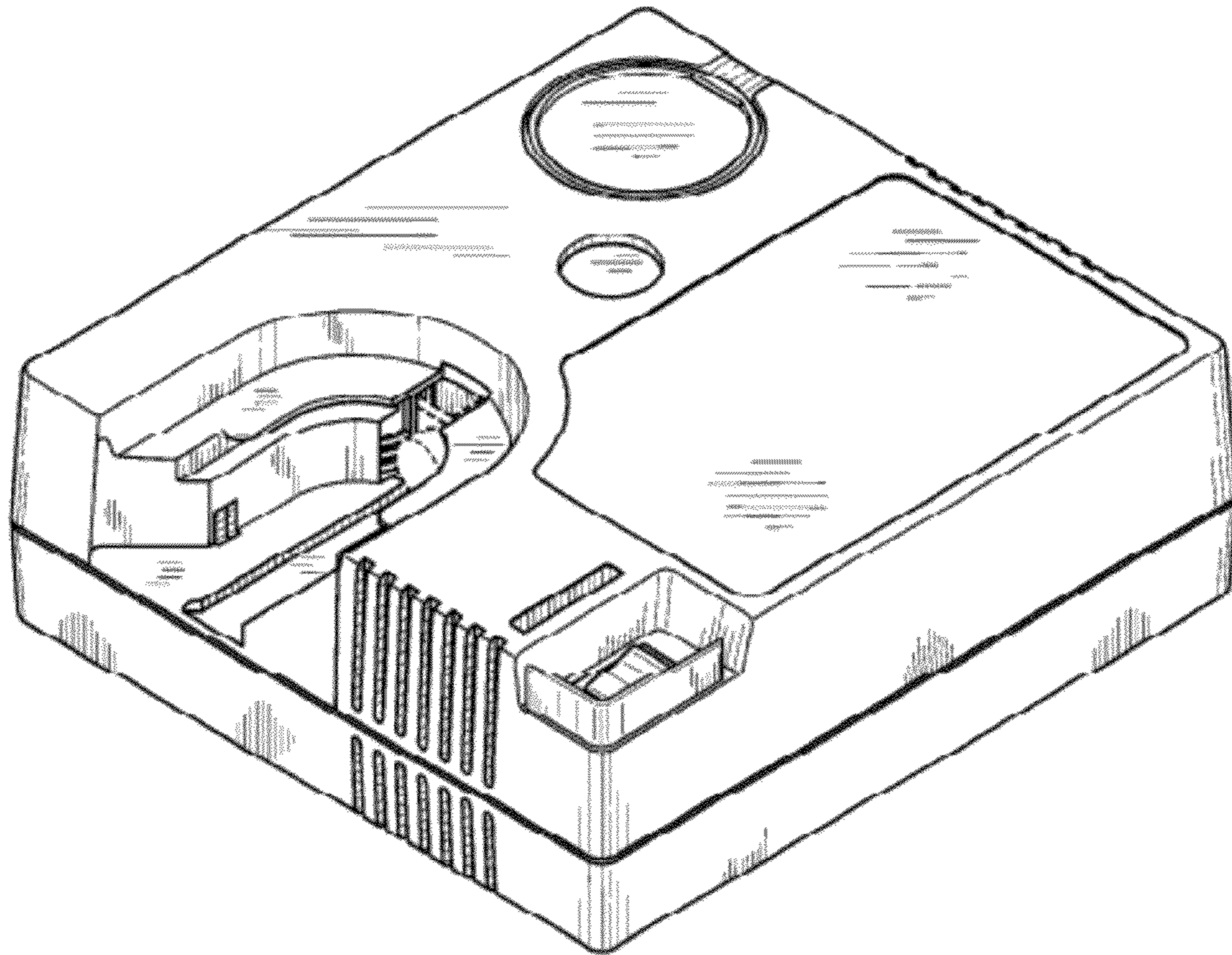
**FIG. 6**



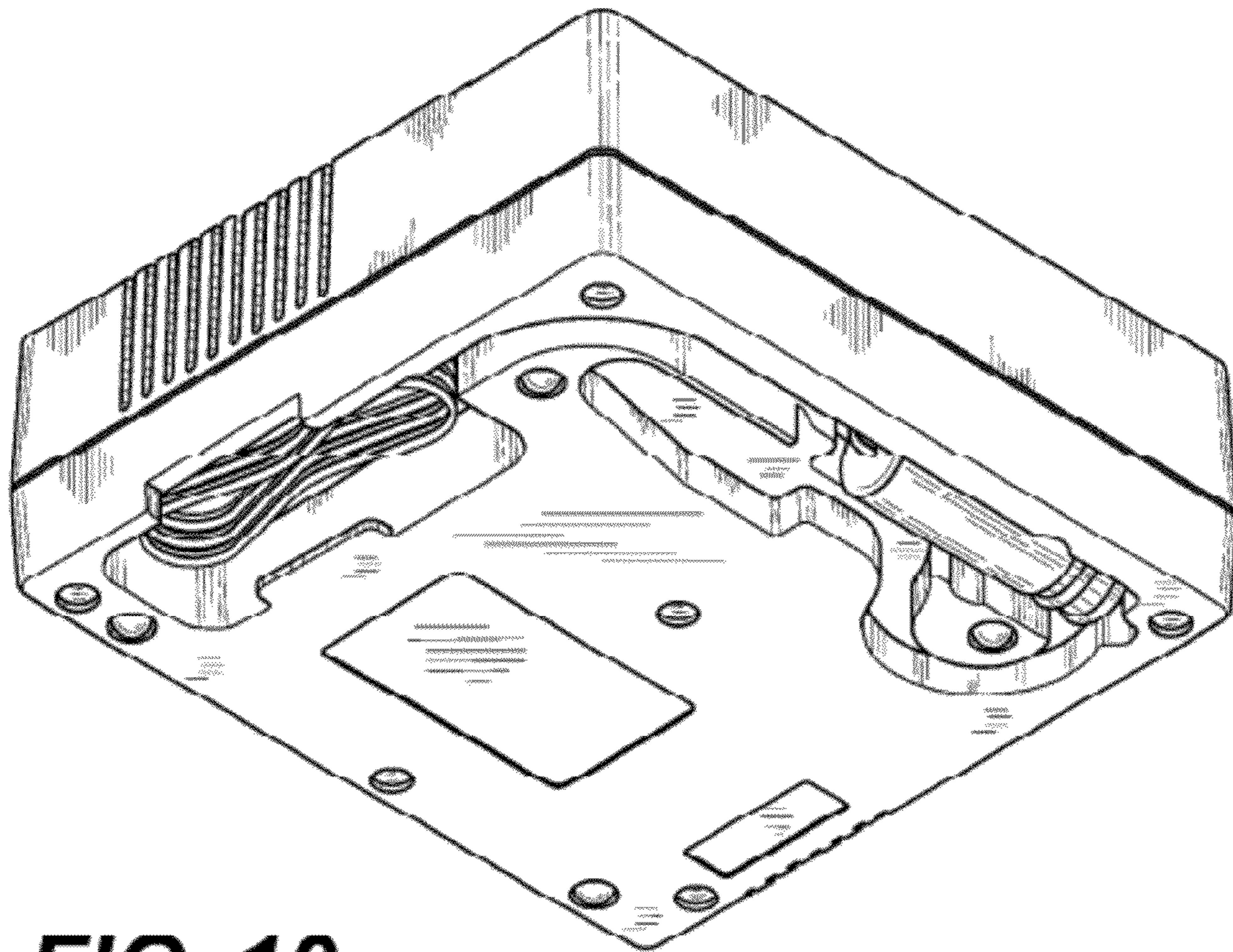
**FIG. 7**



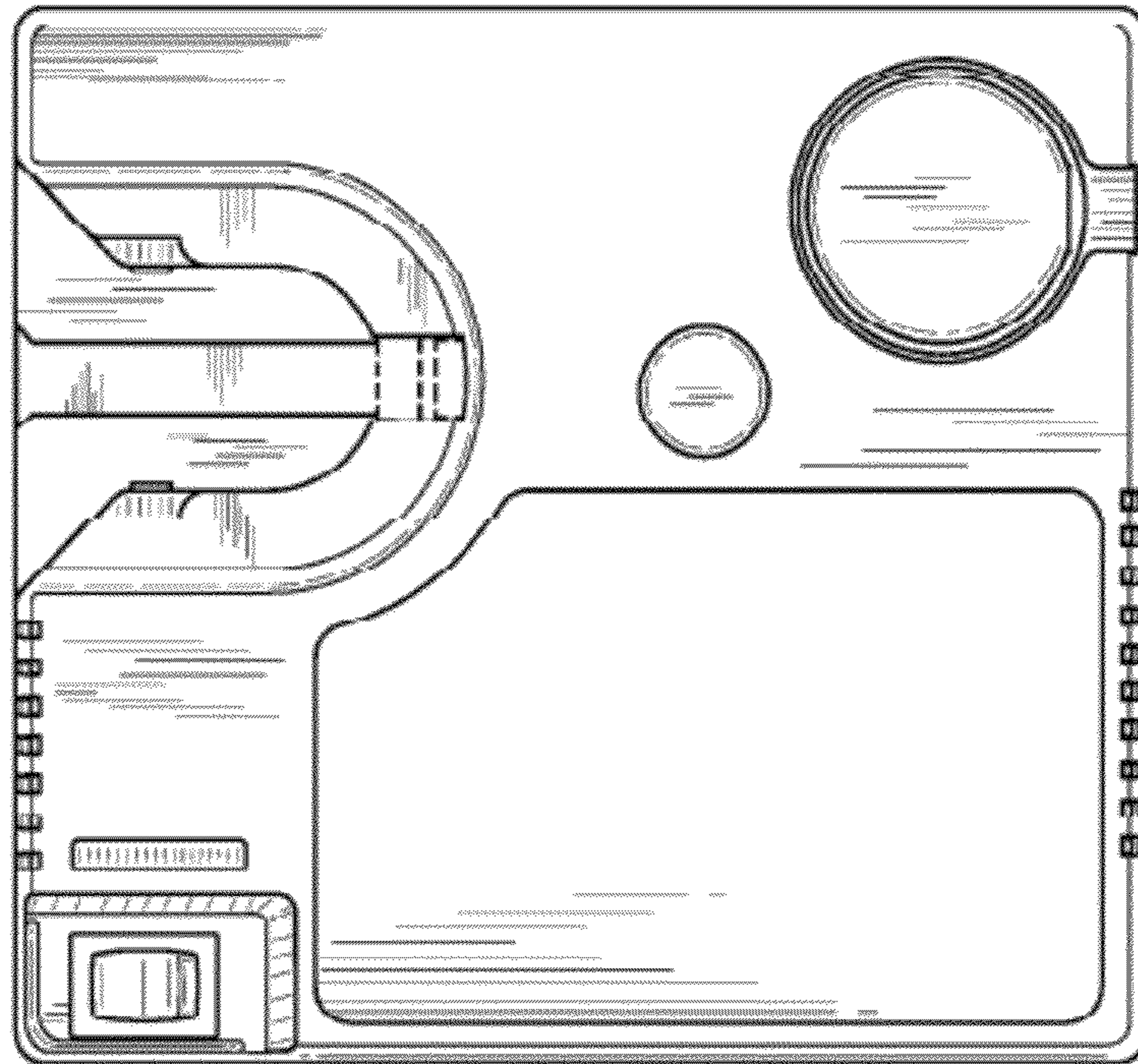
**FIG. 8**



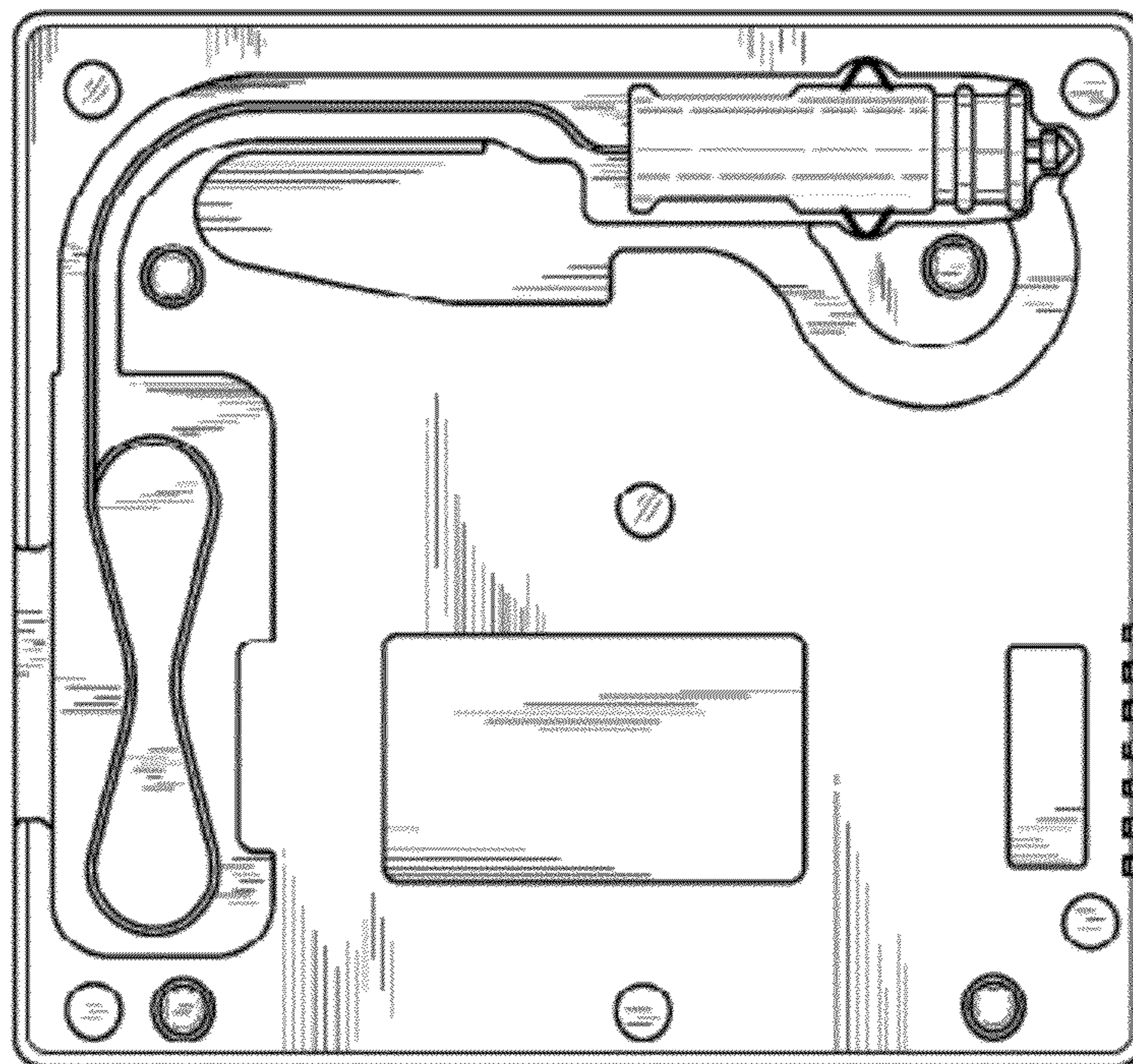
**FIG. 9**



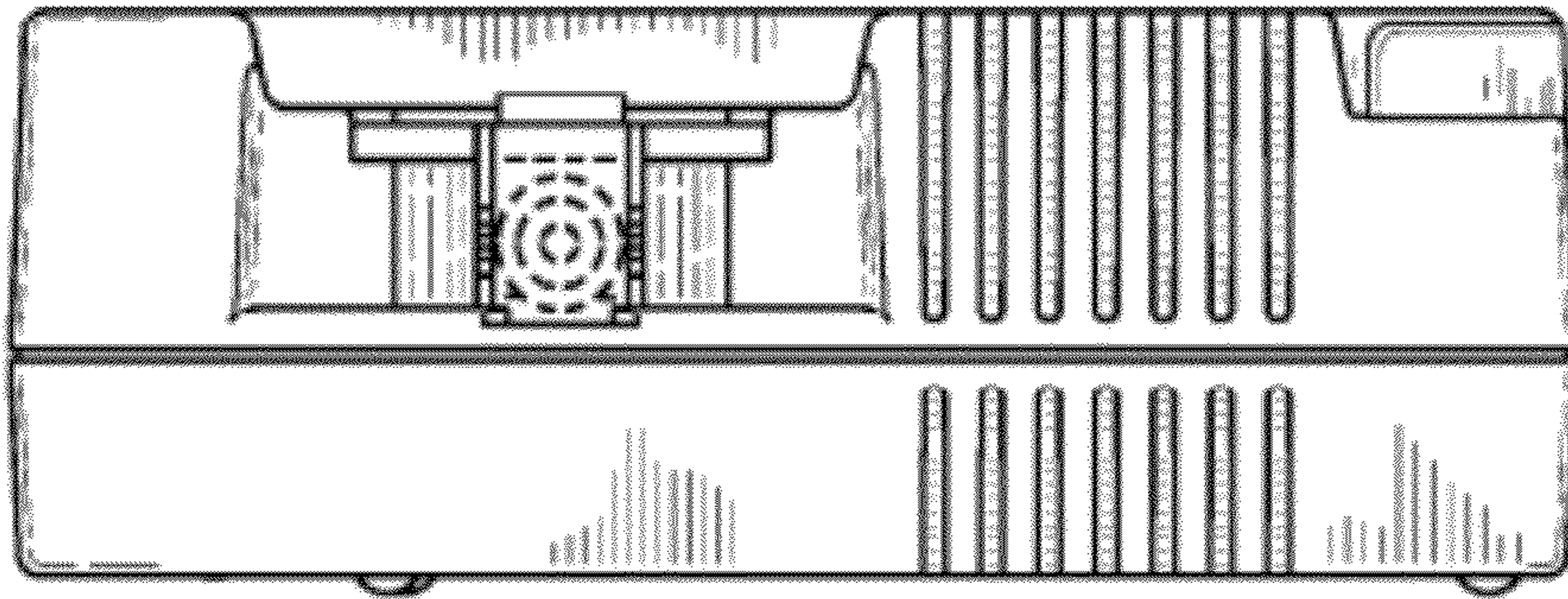
**FIG. 10**



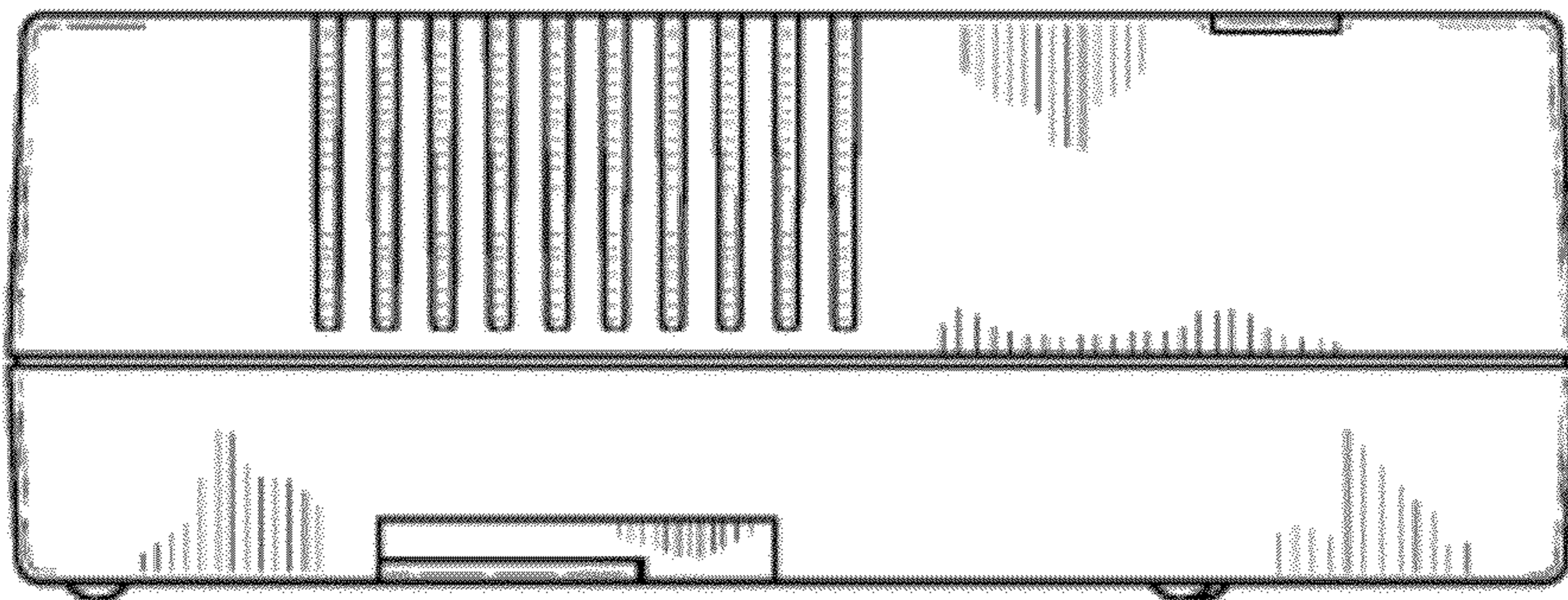
**FIG. 11**



**FIG. 12**

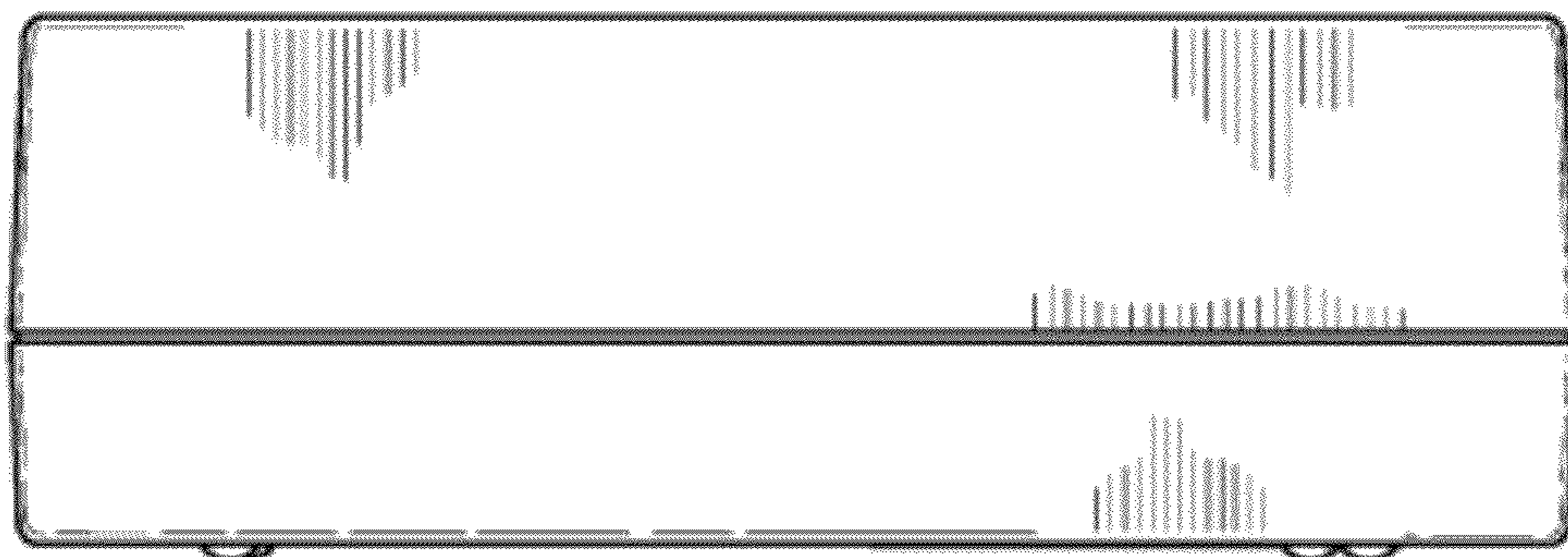


**FIG. 13**

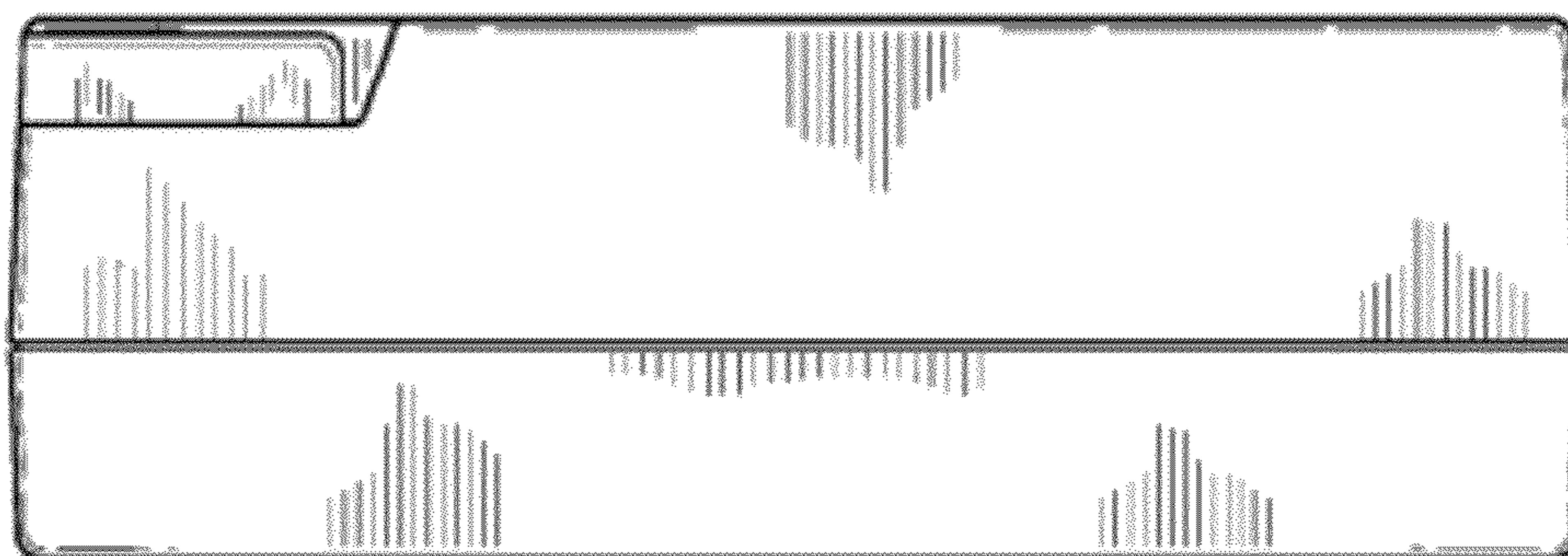


**FIG. 14**





**FIG. 15**



**FIG. 16**