



US00D657799S

(12) **United States Design Patent**
Jung

(10) **Patent No.:** **US D657,799 S**

(45) **Date of Patent:** **** Apr. 17, 2012**

(54) **SCREW PUMP**

(75) Inventor: **Hans Jung**, Pinneberg (DE)

(73) Assignee: **Jung & Co. Gerätebau GmbH**,
Kummerfeld/Pinneberg (DE)

(**) Term: **14 Years**

(21) Appl. No.: **29/357,070**

(22) Filed: **Mar. 5, 2010**

(30) **Foreign Application Priority Data**

Sep. 11, 2009 (EM) 001610627-0001

Sep. 11, 2009 (EM) 001610627-0002

Sep. 11, 2009 (EM) 001610627-0003

(51) **LOC (9) Cl.** **15-02**

(52) **U.S. Cl.** **D15/7**

(58) **Field of Classification Search** D15/7-9;
D23/231, 232; 417/410.1, 359, 415-416,
417/234, 321, 265, 405

See application file for complete search history.

(56) **References Cited**

U.S. PATENT DOCUMENTS

D501,486 S * 2/2005 Leone et al. D15/7

D516,583 S * 3/2006 Strong D15/7

D565,600 S * 4/2008 Tazioli D15/7

D590,842 S * 4/2009 Clark et al. D15/7

D604,745 S * 11/2009 Sinico D15/7

D609,595 S * 2/2010 Soderstrom D15/7

D619,624 S * 7/2010 Iwagoshi et al. D15/7

* cited by examiner

Primary Examiner — Ralf Seifert

(74) *Attorney, Agent, or Firm* — Rankin, Hill & Clark LLP

(57) **CLAIM**

The ornamental design for a screw pump, as shown and described.

DESCRIPTION

FIG. 1 is a front, right, top perspective view of a first embodiment of a screw pump device embodying our design;

FIG. 2 is rear, left, bottom perspective view of the screw pump shown in FIG. 1;

FIG. 3 is a right side view of the screw pump shown in FIG. 1;

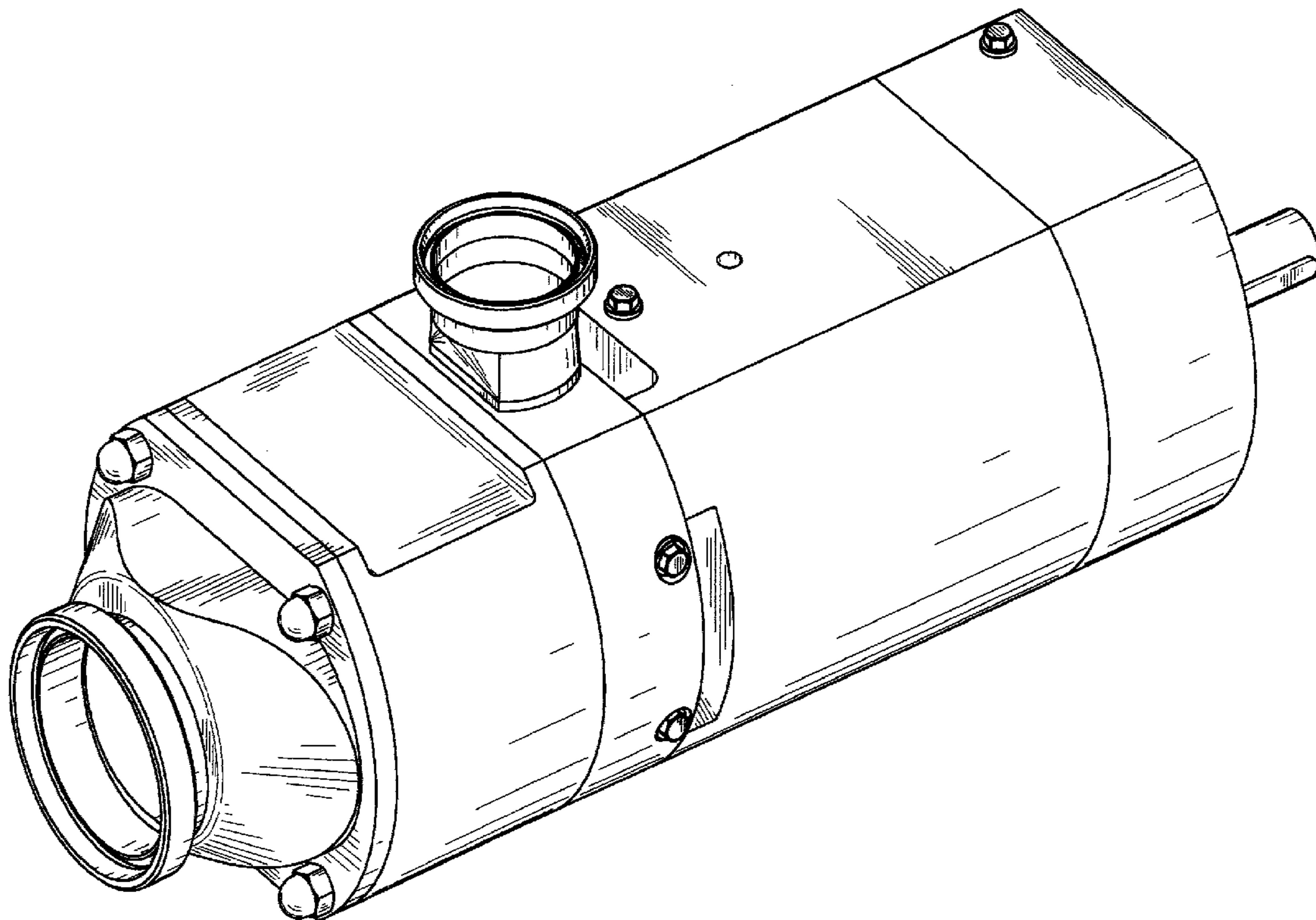
FIG. 4 is a left side view of the screw pump shown in FIG. 1;

FIG. 5 is a top view of the screw pump shown in FIG. 1;

FIG. 6 is a bottom view of the screw pump shown in FIG. 1;

FIG. 7 is a front view of the screw pump shown in FIG. 1; and, FIG. 8 is a rear view of the screw pump shown in FIG. 1.

1 Claim, 7 Drawing Sheets



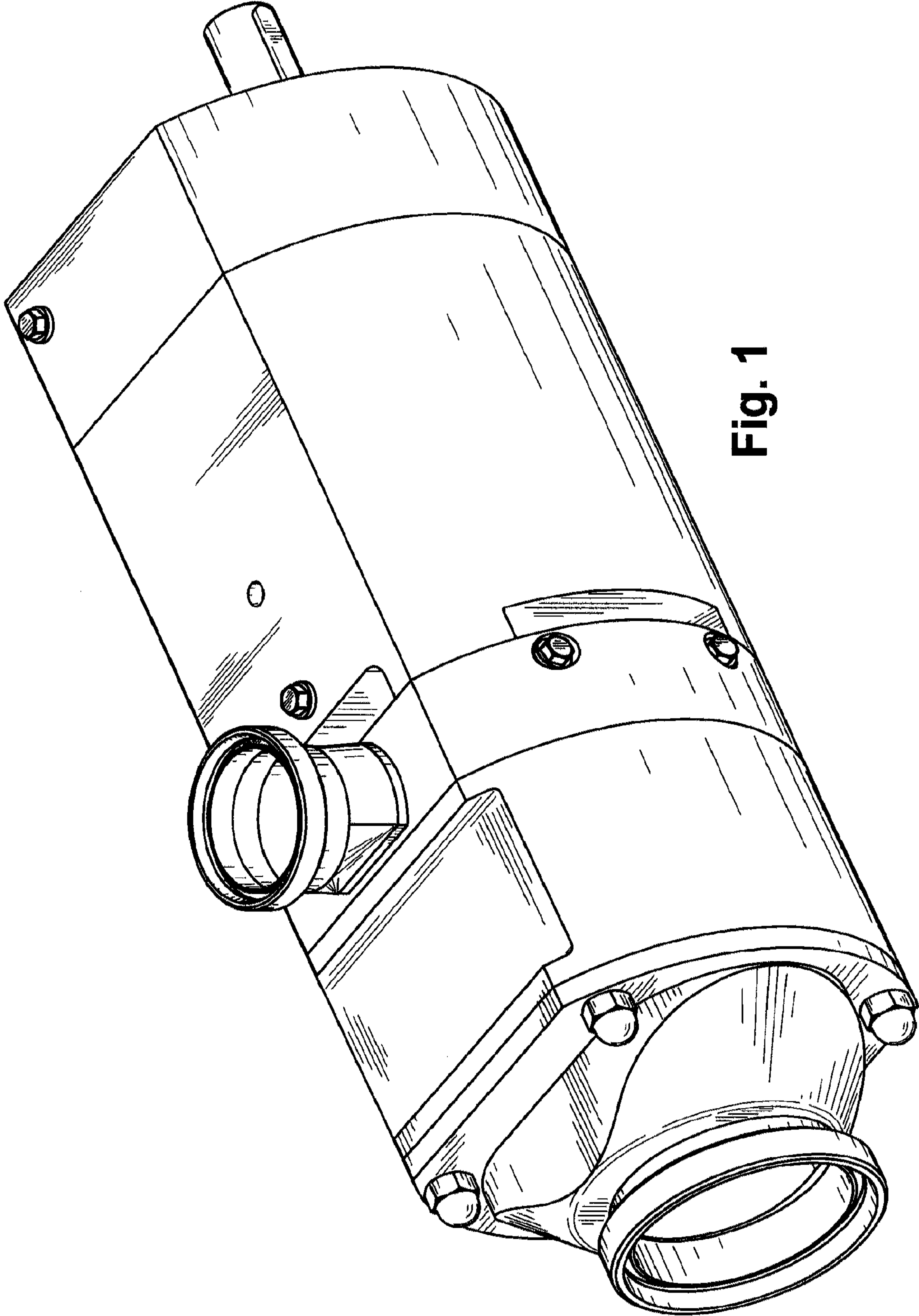


Fig. 1

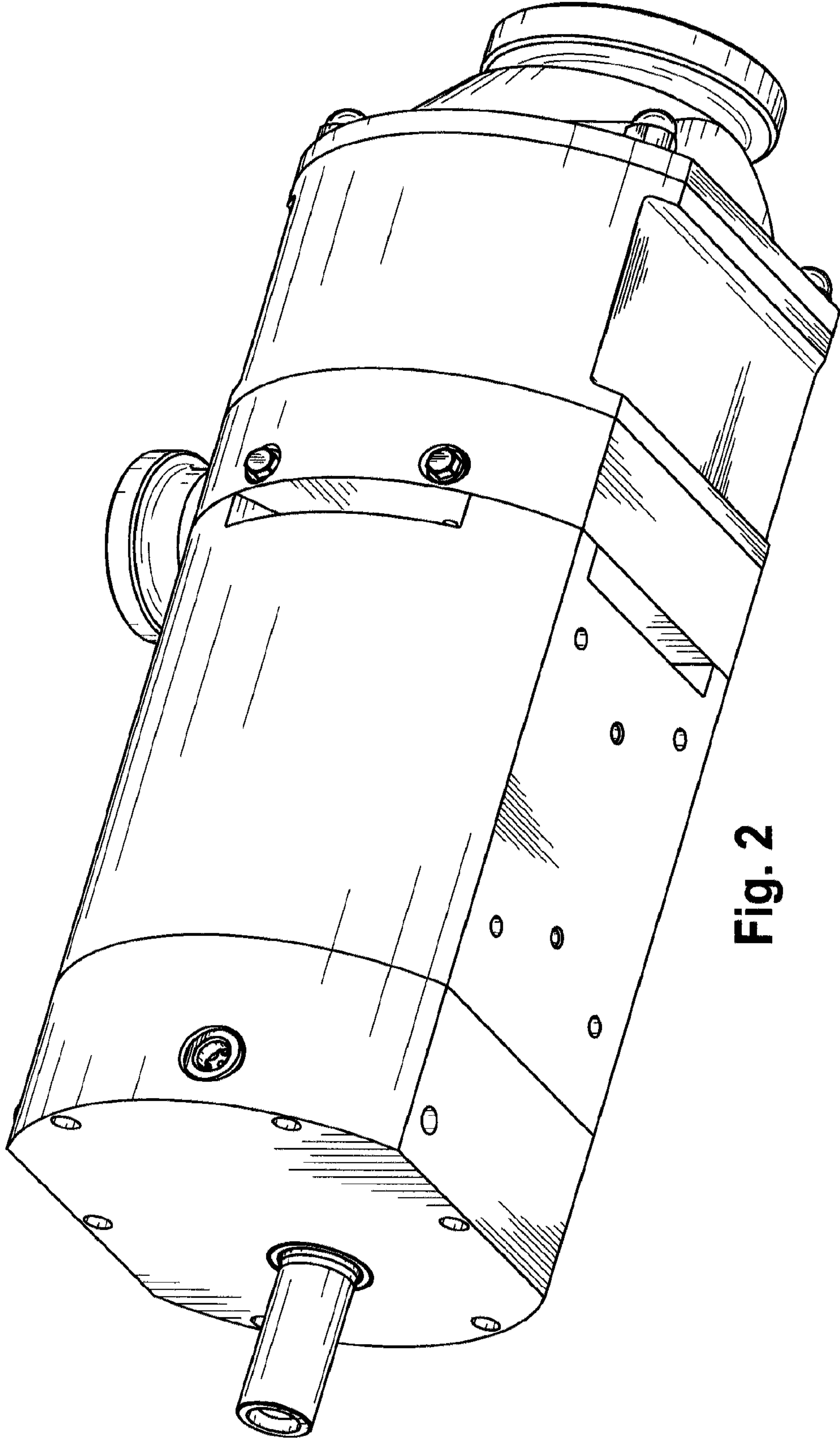


Fig. 2

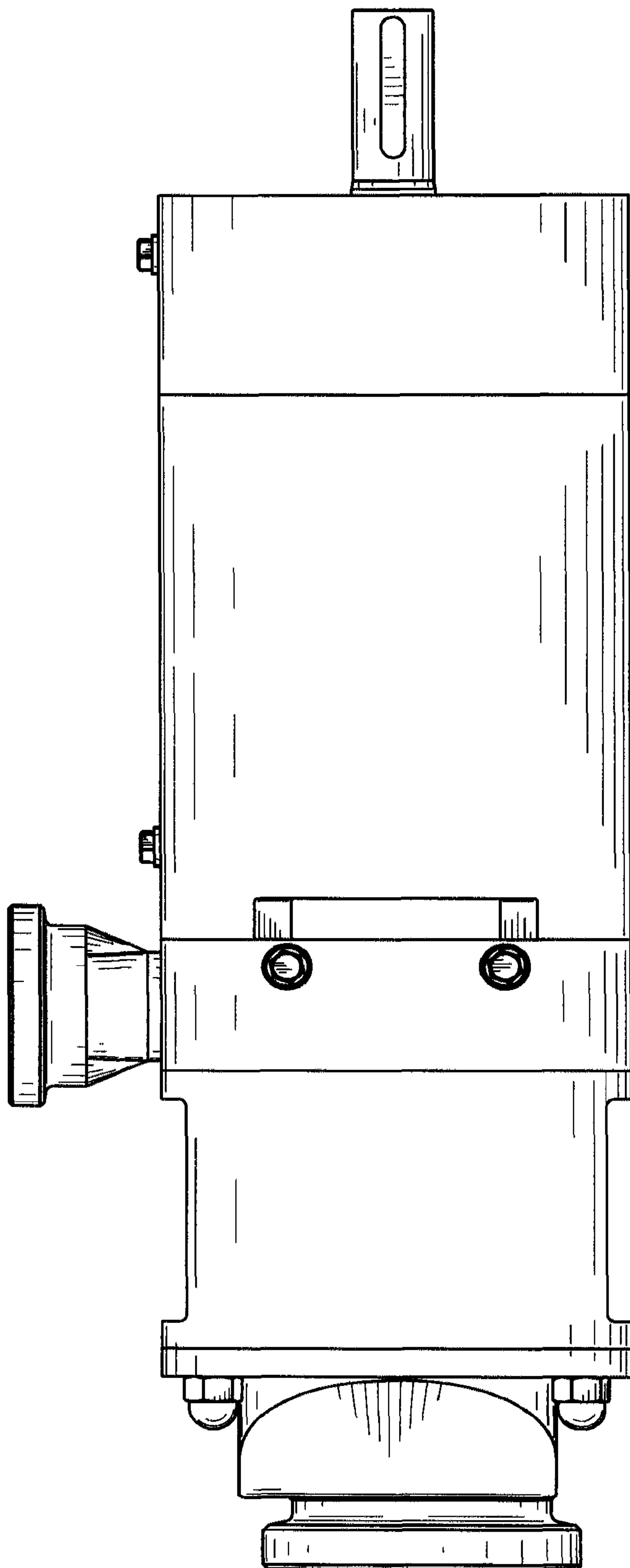


Fig. 3

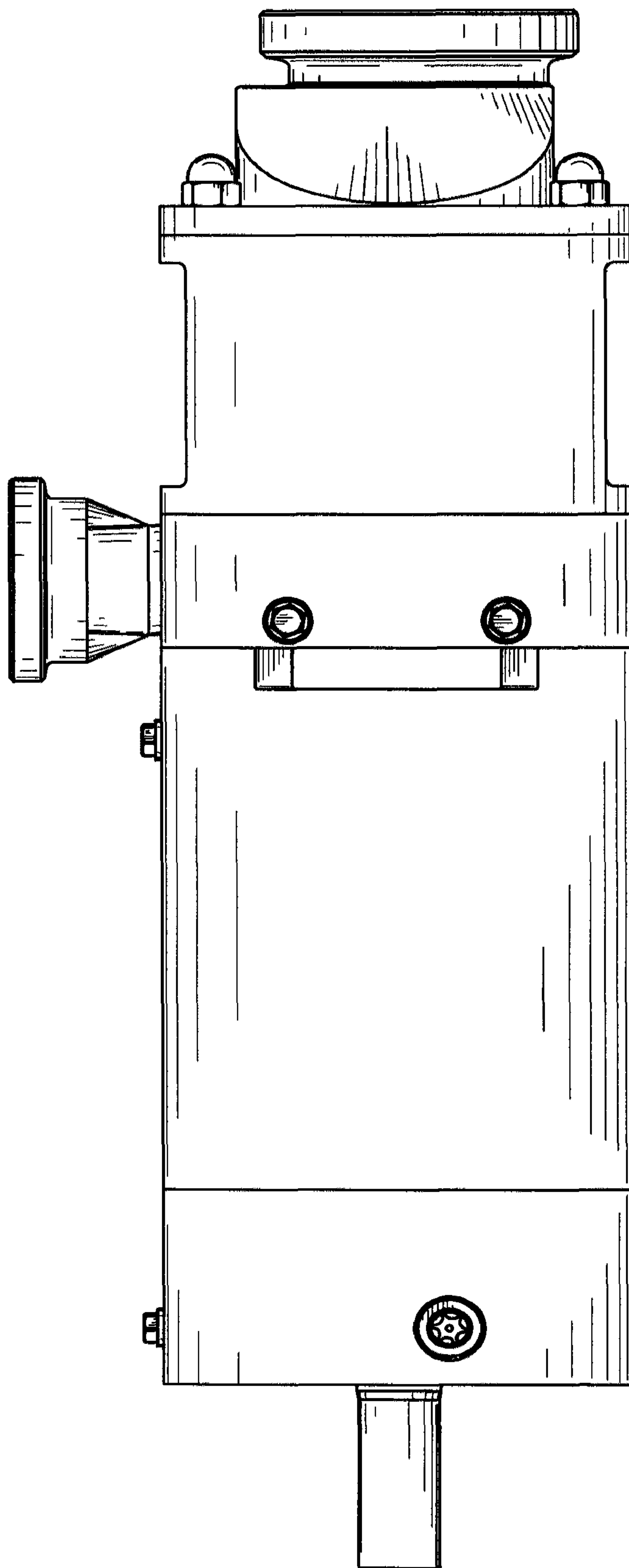


Fig. 4

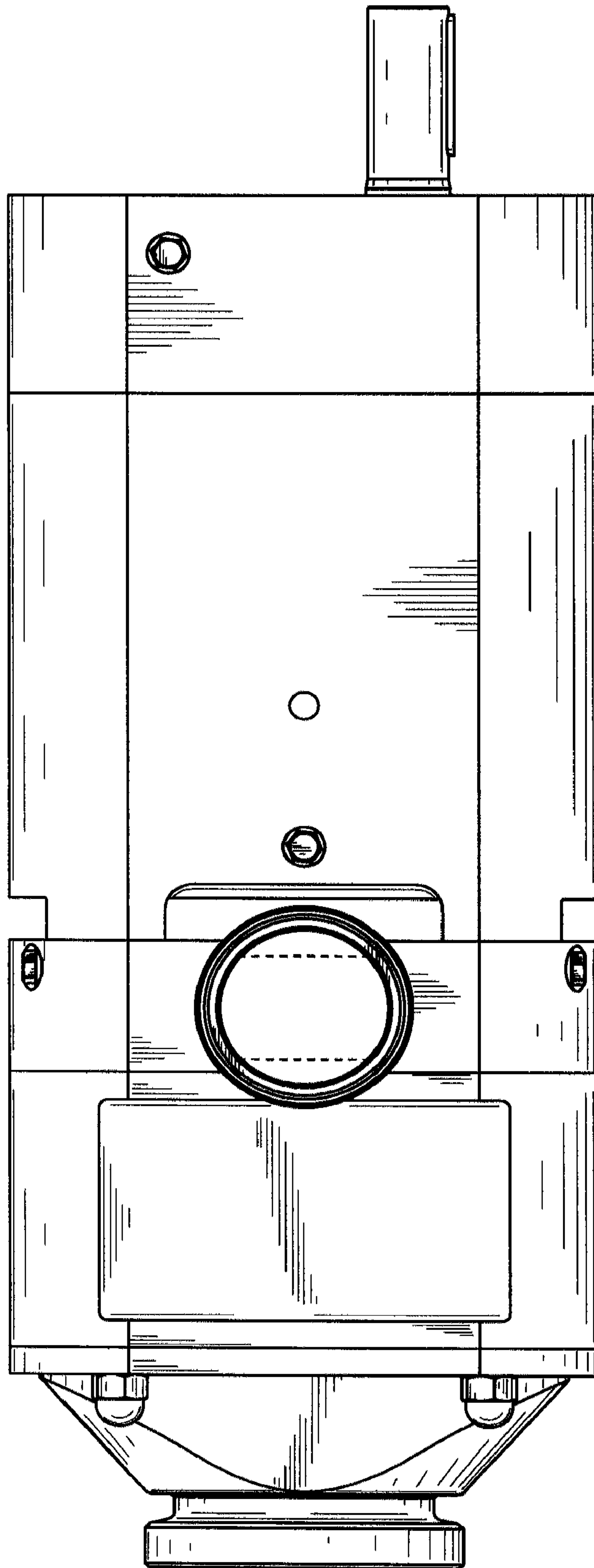


Fig. 5

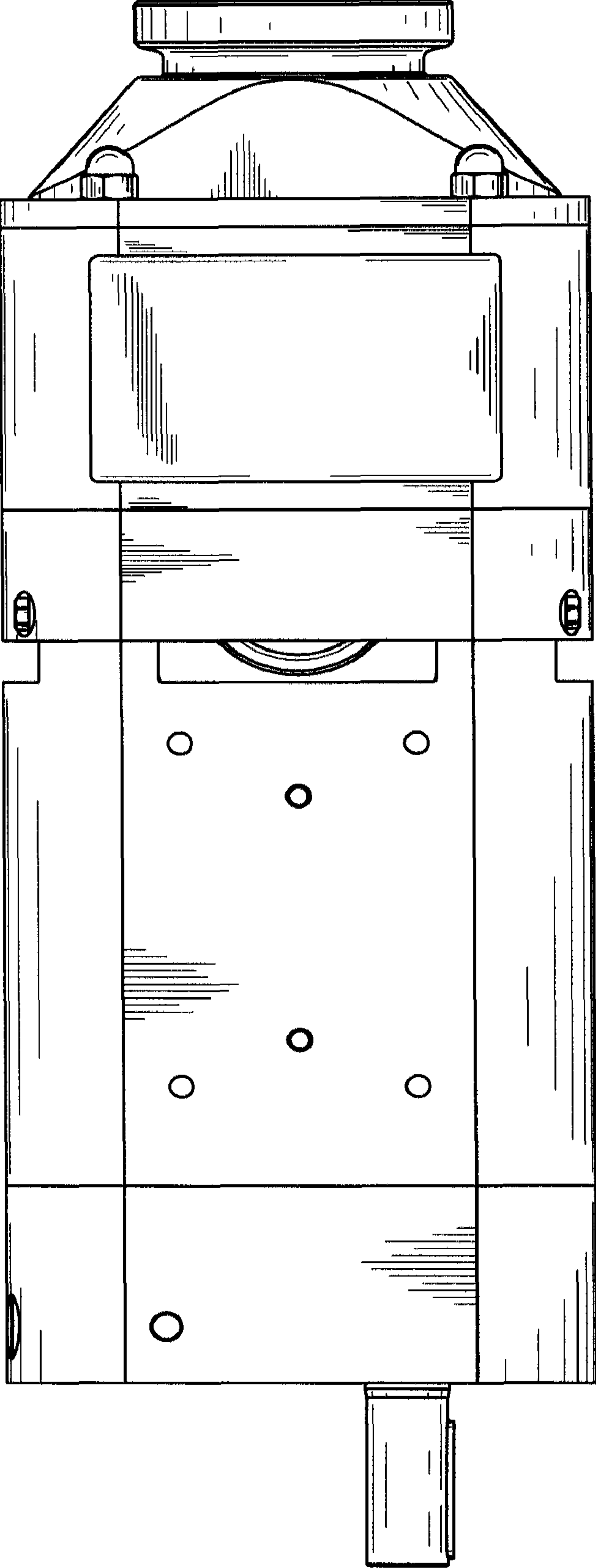


Fig. 6

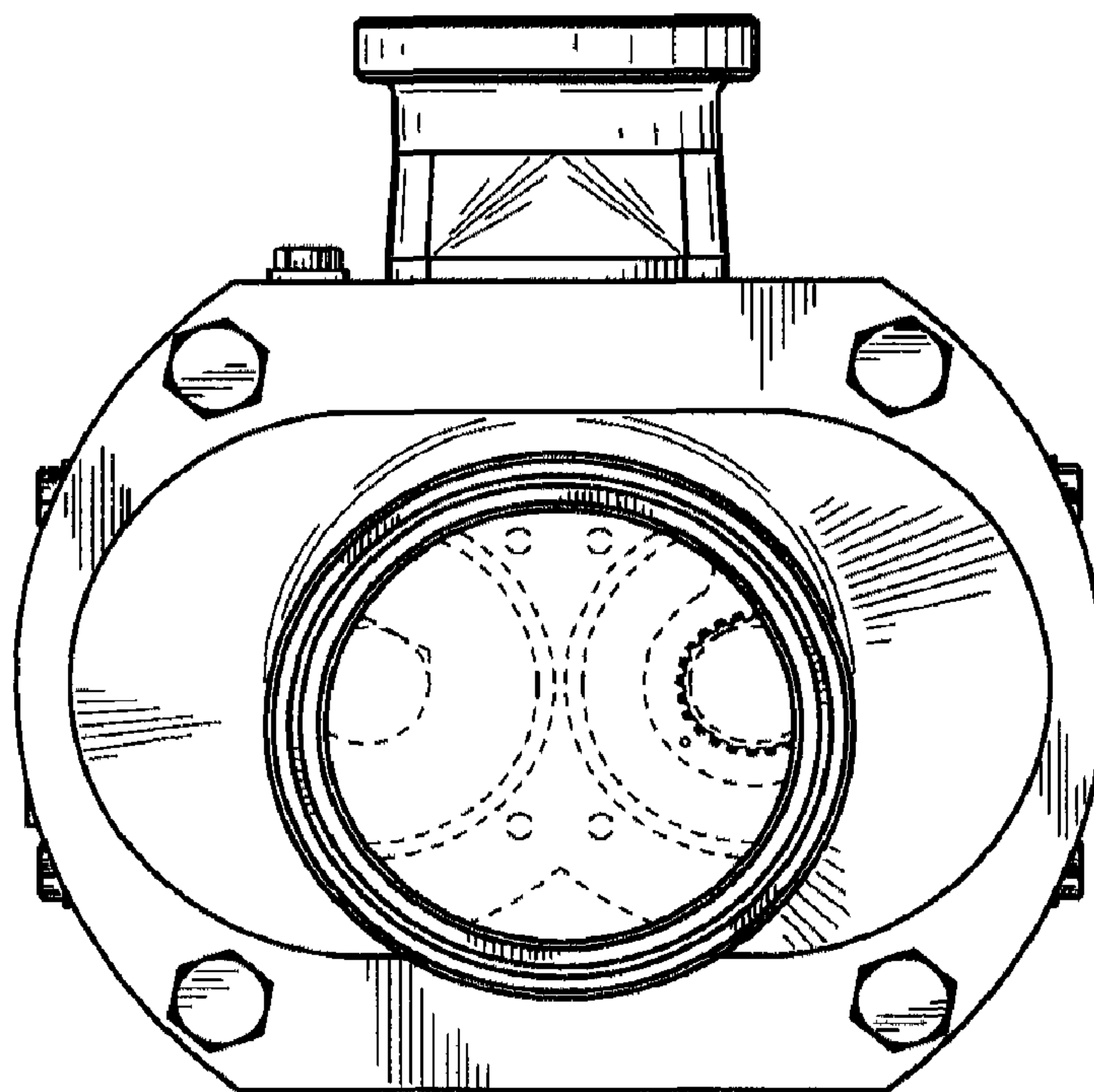


Fig. 7

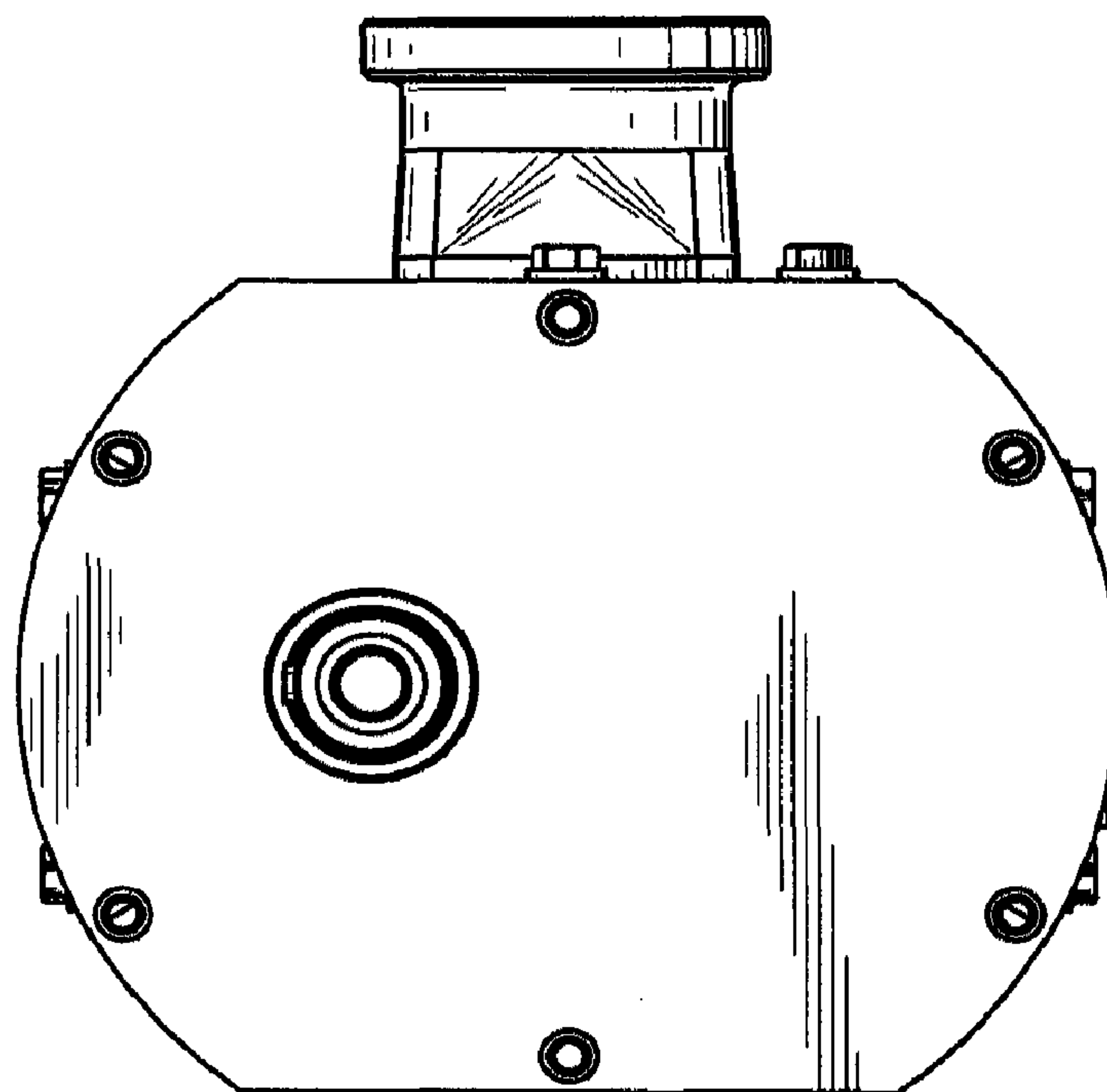


Fig. 8