



US00D657798S

(12) **United States Design Patent**
Platt et al.

(10) **Patent No.:** **US D657,798 S**
(45) **Date of Patent:** **** Apr. 17, 2012**

- (54) **VALVE COVER**
- (75) Inventors: **Richard B. Platt**, Grosse Pointe Farms, MI (US); **Richard Booth Platt, Jr.**, Huntington Woods, MI (US)
- (73) Assignee: **Specialty Auto Parts U.S.A., Inc.**, Warren, MI (US)
- (**) Term: **14 Years**
- (21) Appl. No.: **29/389,260**
- (22) Filed: **Apr. 8, 2011**
- (51) **LOC (9) Cl.** **15-01**
- (52) **U.S. Cl.** **D15/5**
- (58) **Field of Classification Search** D15/5, D15/1; D12/400; 123/635, 195 C, 903.38
See application file for complete search history.

- 5,492,086 A 2/1996 Kuhns
- 5,513,603 A 5/1996 Ang et al.
- 5,513,604 A 5/1996 Clement
- 5,636,607 A 6/1997 Sattler et al.
- 5,655,489 A 8/1997 Kammerer et al.
- 5,884,594 A 3/1999 Wiehle
- 5,931,131 A 8/1999 Hackett
- D418,844 S 1/2000 Occhiuto
- D422,551 S 4/2000 Haines
- 6,089,199 A 7/2000 Lohr et al.
- 6,095,105 A 8/2000 Lohr et al.
- 6,190,745 B1 2/2001 Breazeale
- 6,302,074 B1 10/2001 Bolsover et al.
- 6,382,158 B1 5/2002 Durnen
- 6,491,014 B1 12/2002 Eickert
- 6,591,801 B1 * 7/2003 Fonville 123/90.38
- 6,591,930 B2 7/2003 Coughlin et al.
- D479,244 S 9/2003 Kern et al.
- D479,721 S 9/2003 Kern et al.

(Continued)

Primary Examiner — T. Chase Nelson
Assistant Examiner — Ania Aman
(74) *Attorney, Agent, or Firm* — Dickinson Wright PLLC

(56) **References Cited**

U.S. PATENT DOCUMENTS

- 4,164,927 A 8/1979 Congram et al.
- D252,878 S 9/1979 Bellino et al.
- 4,388,898 A 6/1983 Larson
- 4,402,518 A 9/1983 Locacius
- 4,492,189 A 1/1985 Ogawa et al.
- 4,538,560 A 9/1985 Alden
- 4,593,659 A 6/1986 Wells et al.
- D290,462 S 6/1987 Mendenhall
- 4,788,950 A 12/1988 Finley
- 4,821,699 A 4/1989 Mackin
- D305,028 S 12/1989 Sherwood et al.
- D305,123 S 12/1989 Garrett et al.
- D305,676 S 1/1990 Ngai
- D305,767 S 1/1990 Tauschke
- D306,735 S 3/1990 Finley
- 5,035,637 A 7/1991 Mathews et al.
- D324,867 S 3/1992 Lyndhurst et al.
- 5,095,860 A 3/1992 Newell
- 5,285,754 A 2/1994 Bell
- 5,323,750 A 6/1994 Rotter
- 5,365,901 A * 11/1994 Kiczek 123/195 C
- 5,367,993 A 11/1994 Tulach et al.

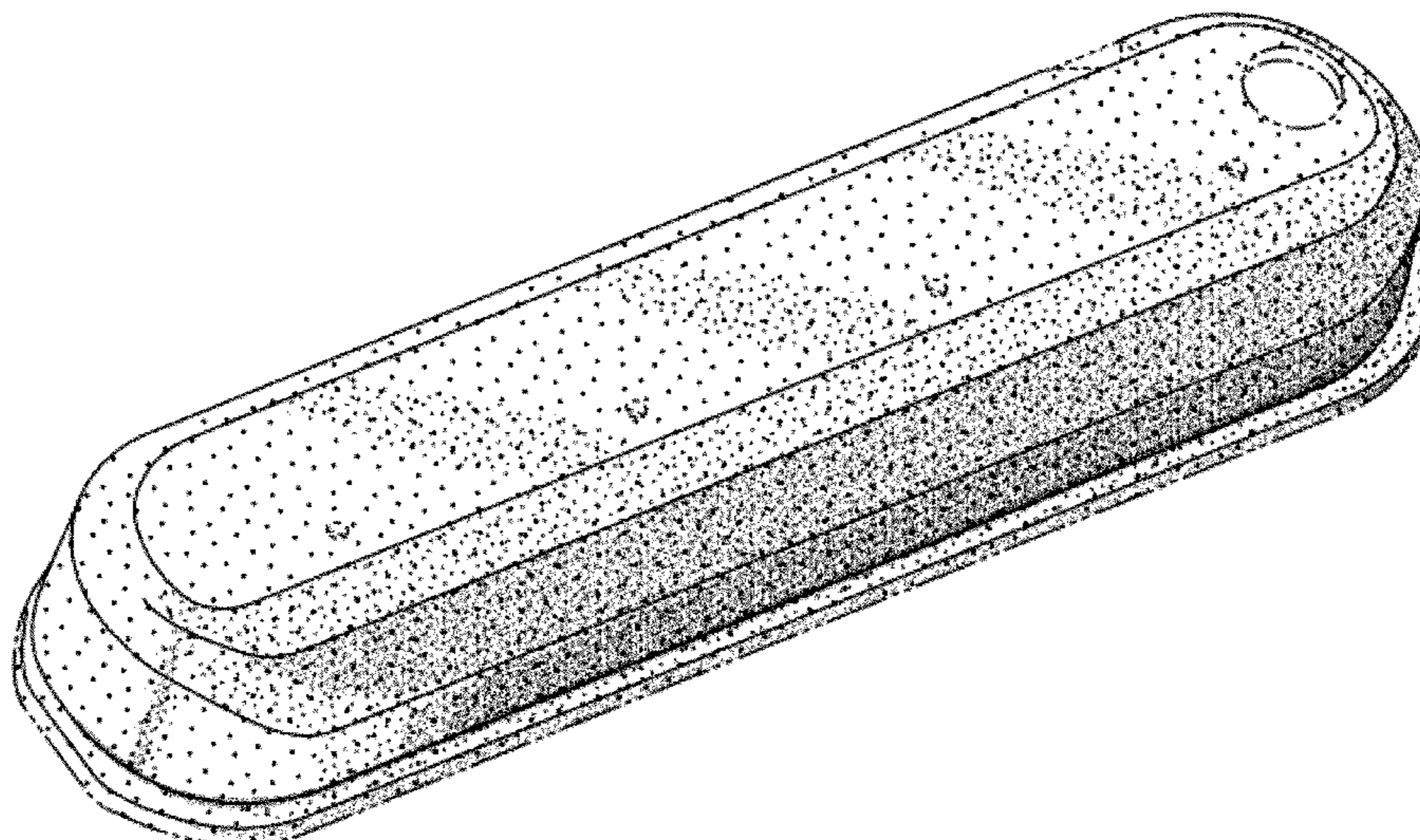
(57) **CLAIM**

The ornamental design for the valve cover, as shown and described.

DESCRIPTION

FIG. 1 is a perspective view of the valve cover embodying the new design with the oil filler being shown in phantom lines; FIG. 2 is a right elevational view thereof, the left elevational view being a mirror image thereof; FIG. 3 is a front elevational view thereof; FIG. 4 is a rear elevational view thereof; FIG. 5 is a top plan view thereof; and, FIG. 6 is a bottom plan view of the outer edge of the valve cover in phantom lines. The broken phantom lines depict unclaimed subject matter only and form no part of the claimed design.

1 Claim, 3 Drawing Sheets



US D657,798 S

Page 2

U.S. PATENT DOCUMENTS							
6,832,587	B2	12/2004	Wampula et al.	7,350,488	B2 *	4/2008	Harbert 123/90.38
6,860,010	B2	3/2005	Jones et al.	7,430,999	B2	10/2008	Schweiger
D503,724	S	4/2005	Grant	D580,954	S	11/2008	Platt
6,889,674	B2	5/2005	Pateman et al.	D591,770	S	5/2009	Snyder
7,051,695	B1	5/2006	Kowis	D605,662	S *	12/2009	Miura et al. D15/5
7,114,475	B2	10/2006	Vanderveen et al.	7,765,970	B2	8/2010	Sammons
D531,641	S	11/2006	Schultz et al.	7,765,971	B1	8/2010	Overacker
D533,567	S	12/2006	D'Amico	7,789,079	B2 *	9/2010	Harbert 123/635
D543,998	S	6/2007	Platt	7,827,950	B2	11/2010	Hu et al.
7,316,215	B1	1/2008	Nino et al.	2010/0269779	A1 *	10/2010	Sammons 123/195 C
7,343,890	B1	3/2008	Platt				

* cited by examiner

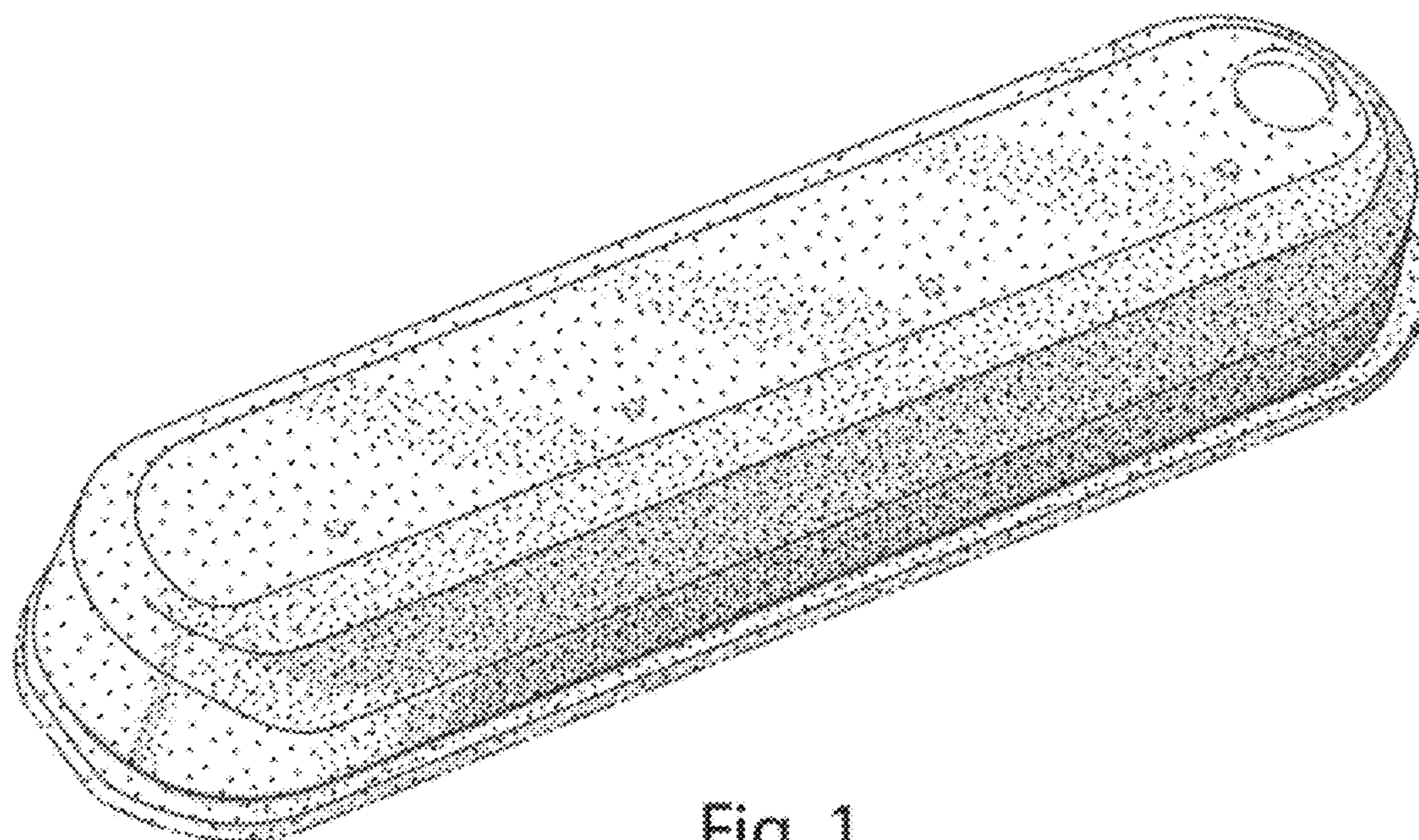


Fig. 1

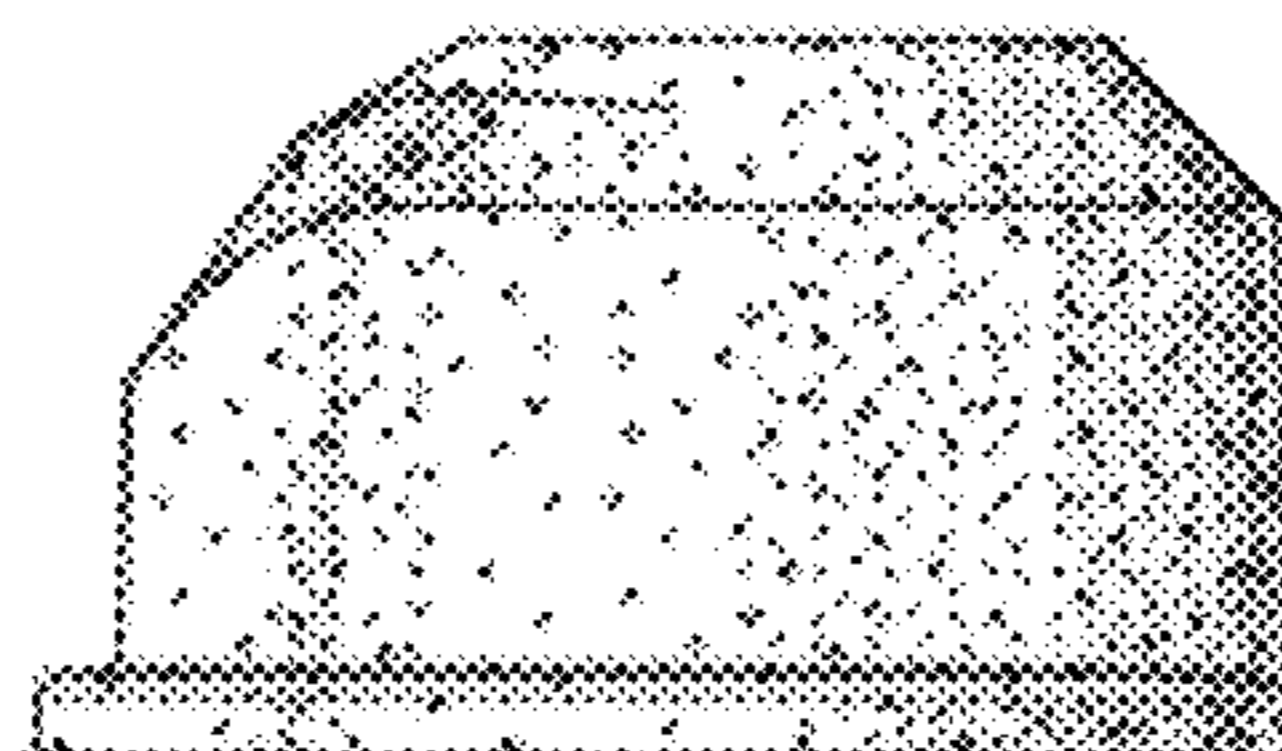


Fig. 2

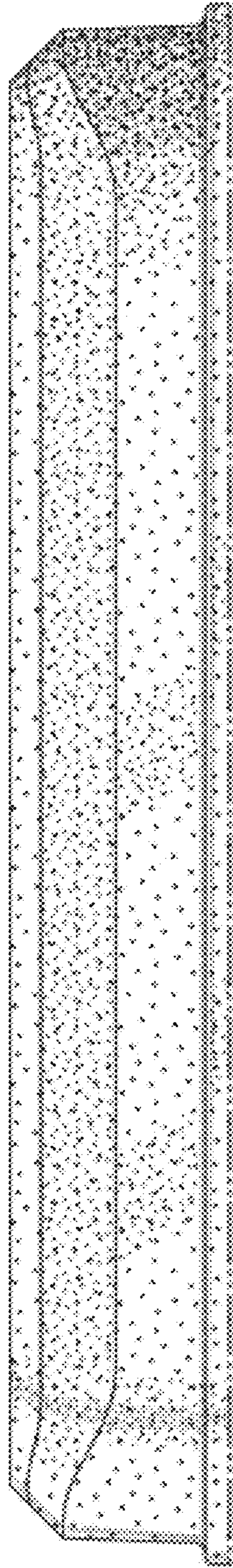


Fig. 3

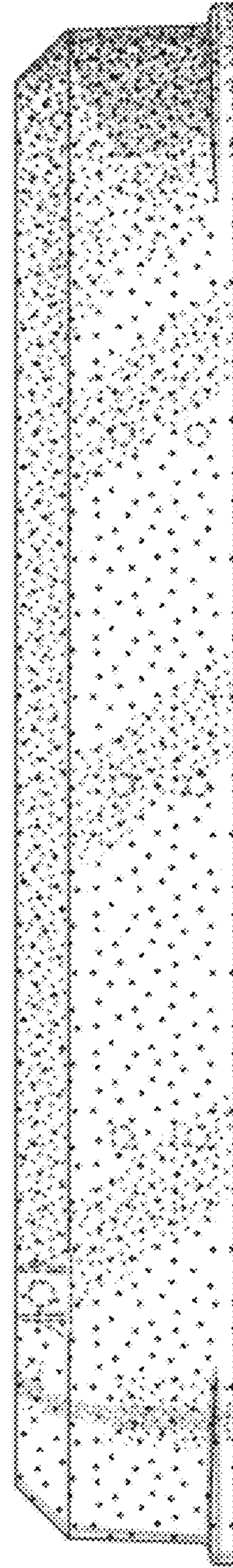


Fig. 4

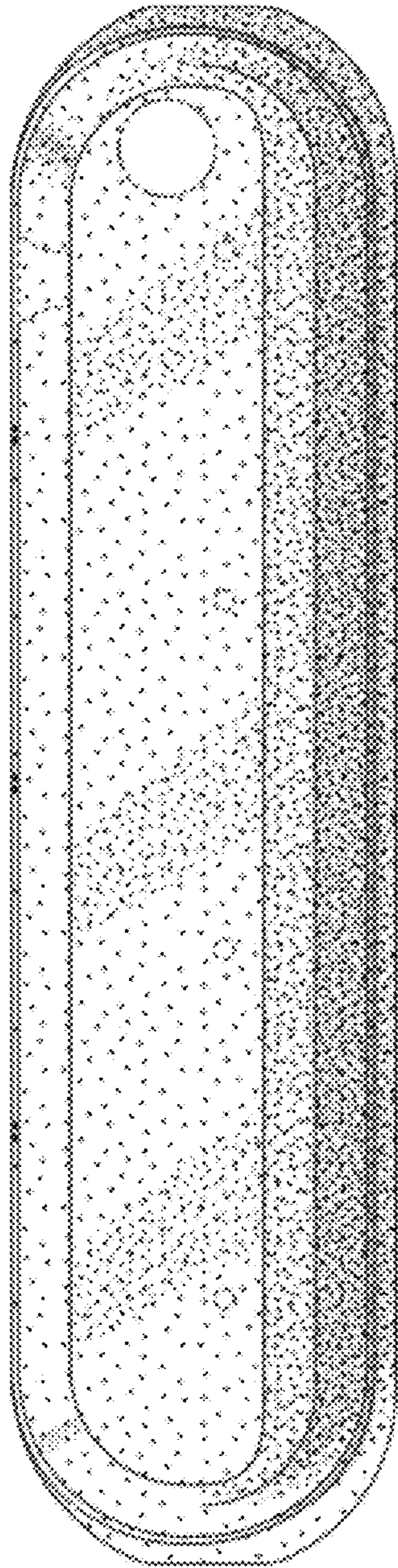


Fig. 5

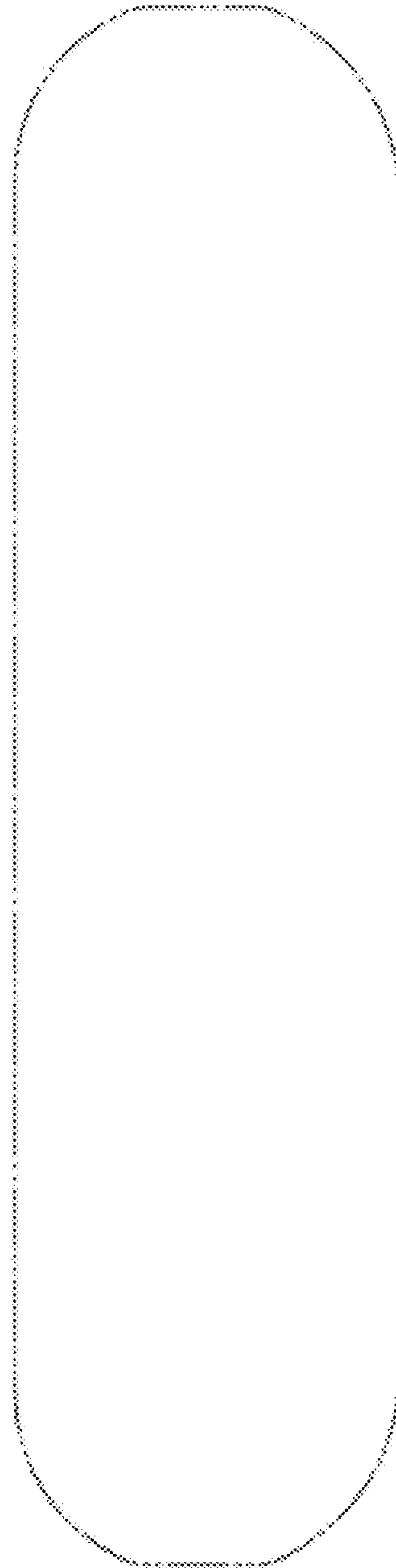


Fig. 6