



US00D657795S

(12) **United States Design Patent**
Smith et al.

(10) **Patent No.:** **US D657,795 S**
(45) **Date of Patent:** **** Apr. 17, 2012**

(54) **ROTATABLE HOLDER**

(76) Inventors: **Jaime Alexander Smith**, Portland, OR (US); **Alfredo H. Torres**, Portland, OR (US); **Spencer T. Houser**, Portland, OR (US)

(**) Term: **14 Years**

(21) Appl. No.: **29/381,049**

(22) Filed: **Dec. 14, 2010**

(51) **LOC (9) Cl.** **14-02**

(52) **U.S. Cl.** **D14/447**

(58) **Field of Classification Search** D14/447, D14/448, 451, 452, 432, 434, 439, 440, 457, D14/460, 461, 239, 250, 251, 253, 217, 238.1; D3/218; D6/310, 312, 311, 406.3, 406.4, D6/406.5, 406.6, 419; 248/917-924, 688, 248/441.1, 451, 454, 460, 463, 136, 149, 248/150, 164, 166, 176.2, 176.3, 176.1, 346.03, 248/346.3; 361/679.02, 679.09, 679.21, 361/679.22, 379.26, 679.27, 679.28, 679.29, 361/679.3, 679.46, 679.47, 679.48, 679.55, 361/679.56, 679.57, 679.58, 679.59, 679.6; 150/165; 224/929, 930

See application file for complete search history.

(56) **References Cited**

U.S. PATENT DOCUMENTS

4,919,037	A *	4/1990	Mitchell	89/36.05
D409,589	S	5/1999	Rorke et al.	
5,934,640	A	8/1999	Hall et al.	
6,360,928	B1 *	3/2002	Russo	224/218
D473,562	S	4/2003	Russell	
D473,563	S	4/2003	Russell	
D474,189	S *	5/2003	Andre et al.	D14/447
D540,331	S *	4/2007	Ly Hau et al.	D14/451
D560,669	S *	1/2008	Muday et al.	D14/451
D592,205	S	5/2009	O'Brien	
D592,206	S	5/2009	O'Brien	
D594,009	S	6/2009	Nakano et al.	
D600,246	S *	9/2009	Yuuki et al.	D14/451
D617,801	S *	6/2010	Chang et al.	D14/451

D619,139	S	7/2010	Ho	
D623,638	S *	9/2010	Richardson et al.	D14/250
D623,639	S *	9/2010	Richardson et al.	D14/250
D624,549	S *	9/2010	Okoshi et al.	D14/451
D628,578	S *	12/2010	Chou et al.	D14/451
D630,223	S *	1/2011	Shih	D14/451

(Continued)

FOREIGN PATENT DOCUMENTS

DE 202010004528 9/2010

(Continued)

OTHER PUBLICATIONS

“The Hand-E-Holder for iPad,” The International Coolhunting Magazine, <http://5magazine.wordpress.com/2010/11/04/the-hand-e-holder-for-ipad/>, downloaded Nov. 15, 2010.

Primary Examiner — Angela J Lee

(74) *Attorney, Agent, or Firm* — Ganz Law, P.C.

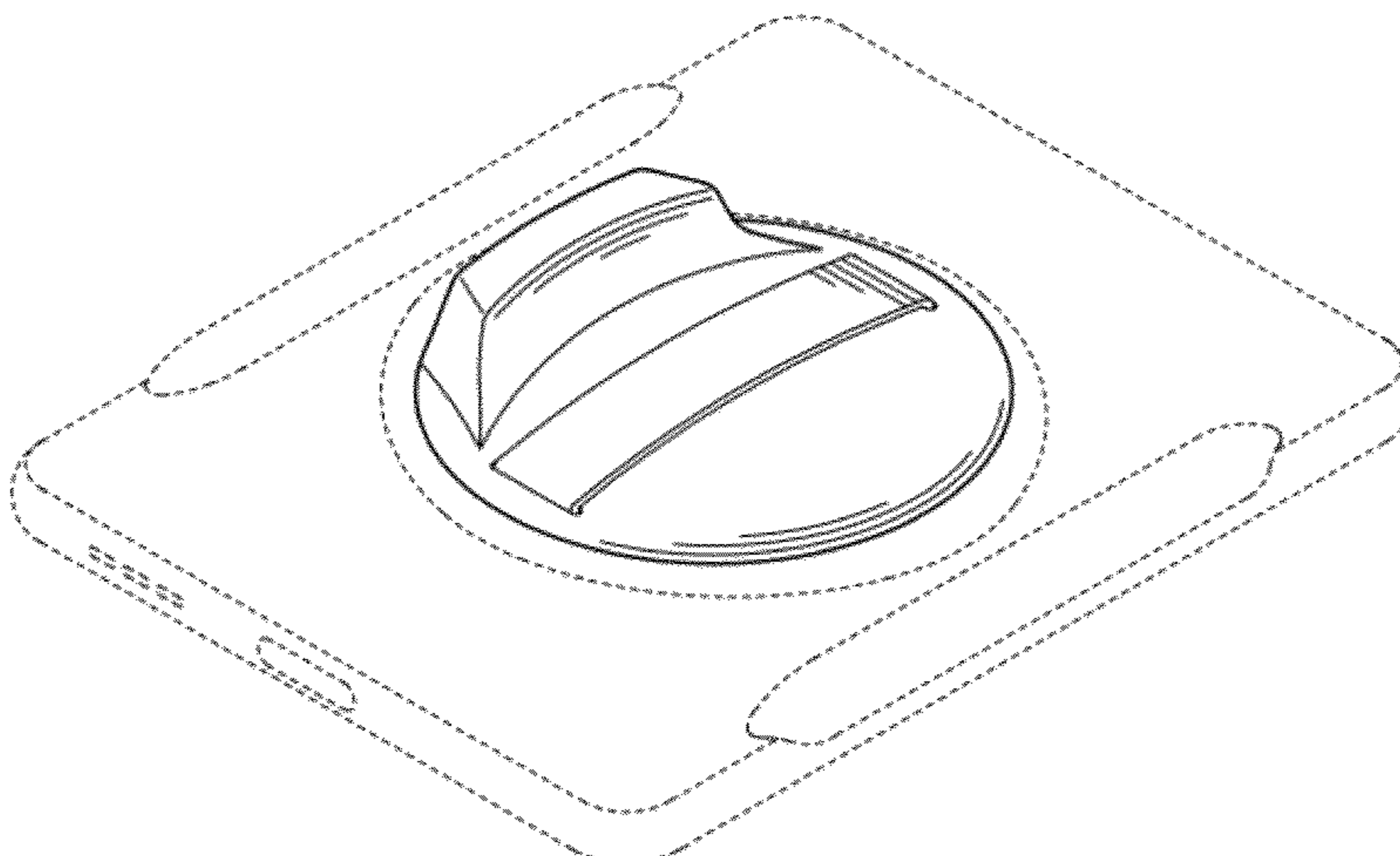
(57) **CLAIM**

The ornamental design for a rotatable holder, as shown and described.

DESCRIPTION

FIG. 1 is a bottom perspective view of a first embodiment of a rotatable holder;
FIG. 2 is a bottom plan view thereof;
FIG. 3 is a front elevation view thereof;
FIG. 4 is a back elevation view thereof;
FIG. 5 is a left side elevation view thereof; and
FIG. 6 is a right side elevation view thereof.
FIG. 7 is a bottom perspective view of a second embodiment of the rotatable holder;
FIG. 8 is a bottom plan view thereof;
FIG. 9 is a front elevation view thereof;
FIG. 10 is a back elevation view thereof;
FIG. 11 is a left side elevation view thereof; and,
FIG. 12 is a right side elevation view thereof.
The broken lines showing environment are for illustrative purposes only and form no part of the claimed design.

1 Claim, 4 Drawing Sheets



US D657,795 S

Page 2

U.S. PATENT DOCUMENTS

D632,686 S * 2/2011 Magness et al. D14/250
D633,504 S * 3/2011 Alexander, Jr. D14/447
D638,412 S * 5/2011 Lee D14/250
D638,414 S * 5/2011 Magness et al. D14/250
D641,756 S * 7/2011 Hsieh et al. D14/440
D643,423 S * 8/2011 Smith et al. D14/250
D643,433 S * 8/2011 Hsieh et al. D14/440
D643,843 S * 8/2011 Hsieh et al. D14/440
2004/0155859 A1 8/2004 Lee

2007/0215512 A1* 9/2007 Bellissimo 206/557
2008/0192418 A1 8/2008 Zambelli et al.
2009/0045311 A1 2/2009 Seyedin
2009/0219677 A1* 9/2009 Mori et al. 361/679.03

FOREIGN PATENT DOCUMENTS

DE 202010004529 9/2010
DE 202010005122 9/2010
WO 2006085157 A2 8/2006

* cited by examiner

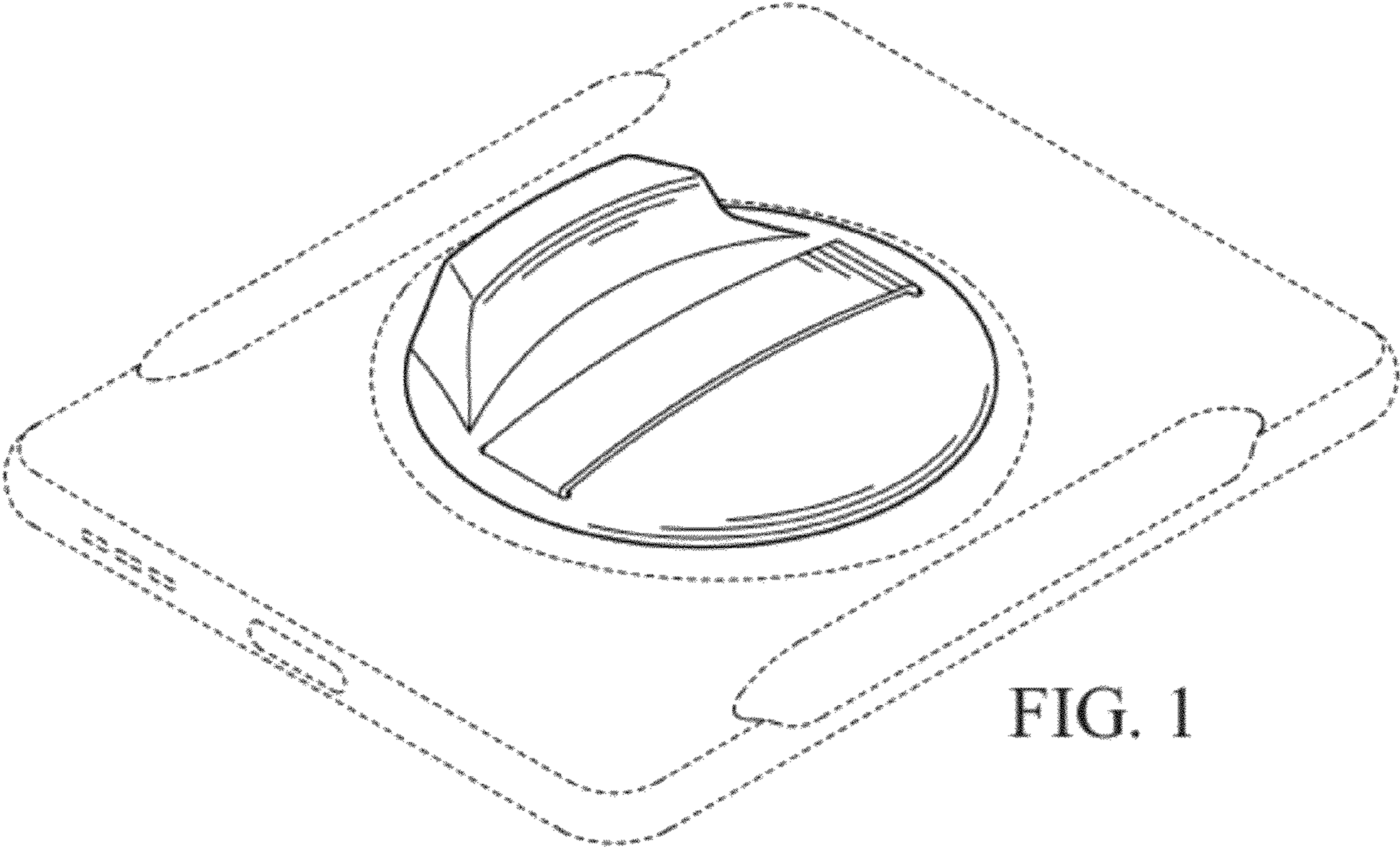


FIG. 1

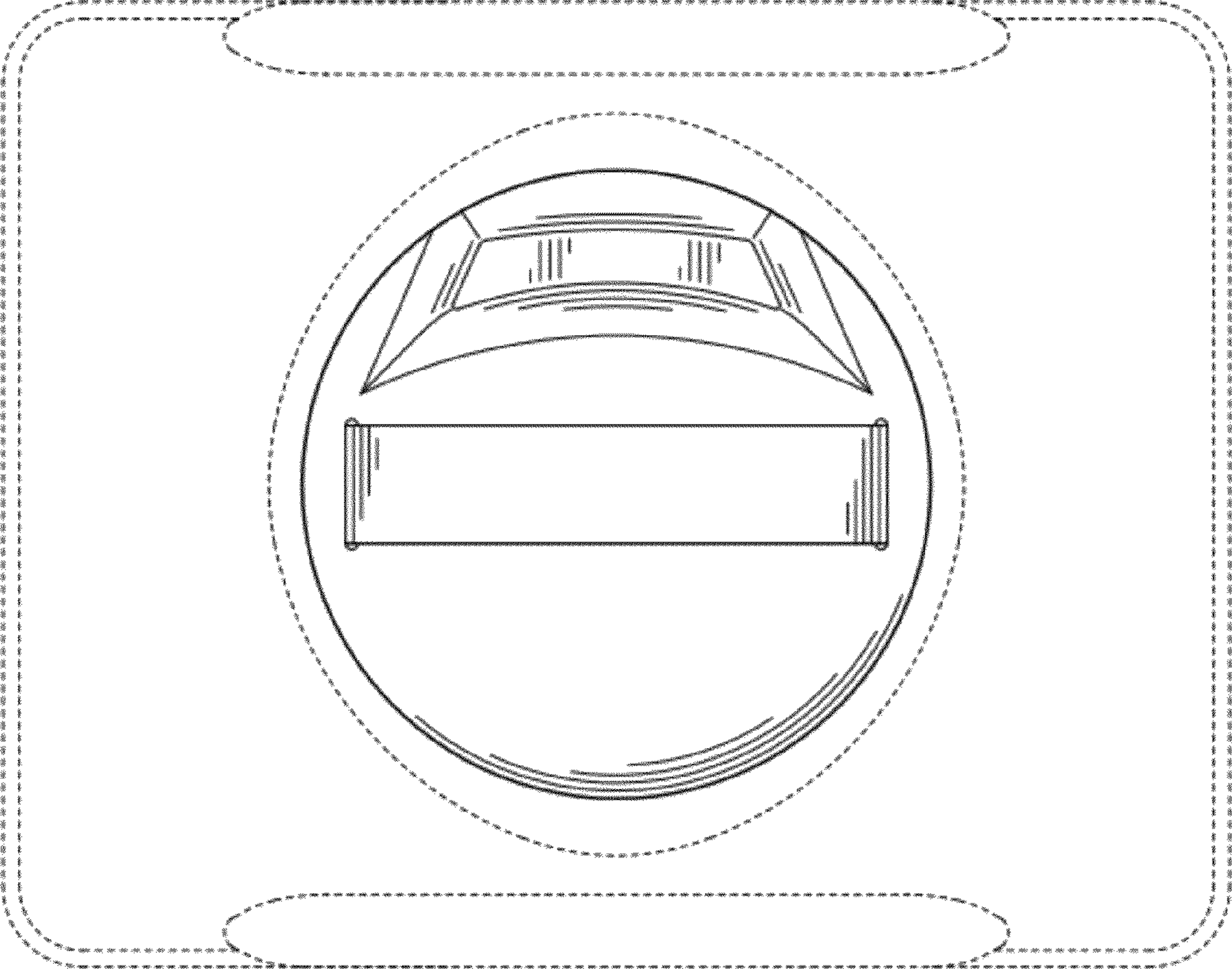


FIG. 2

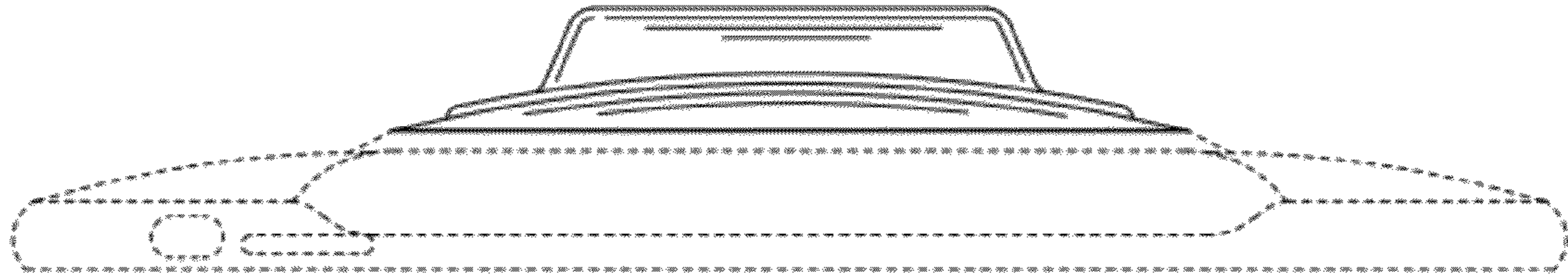


FIG. 3

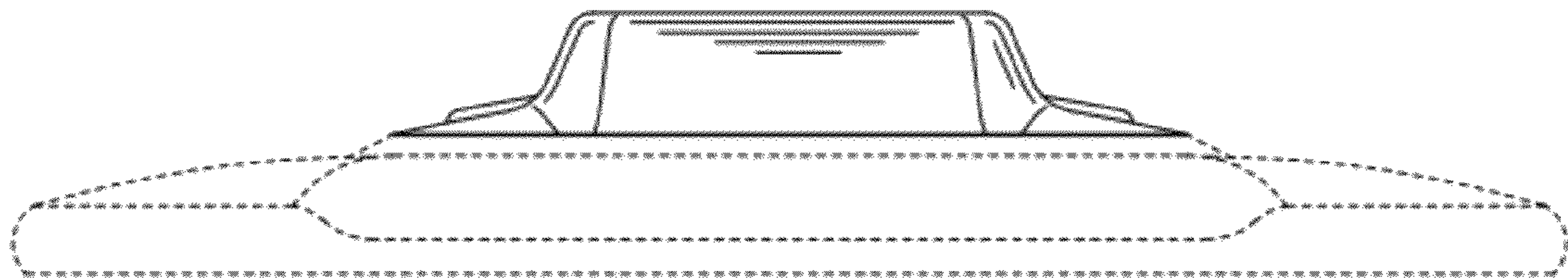


FIG. 4

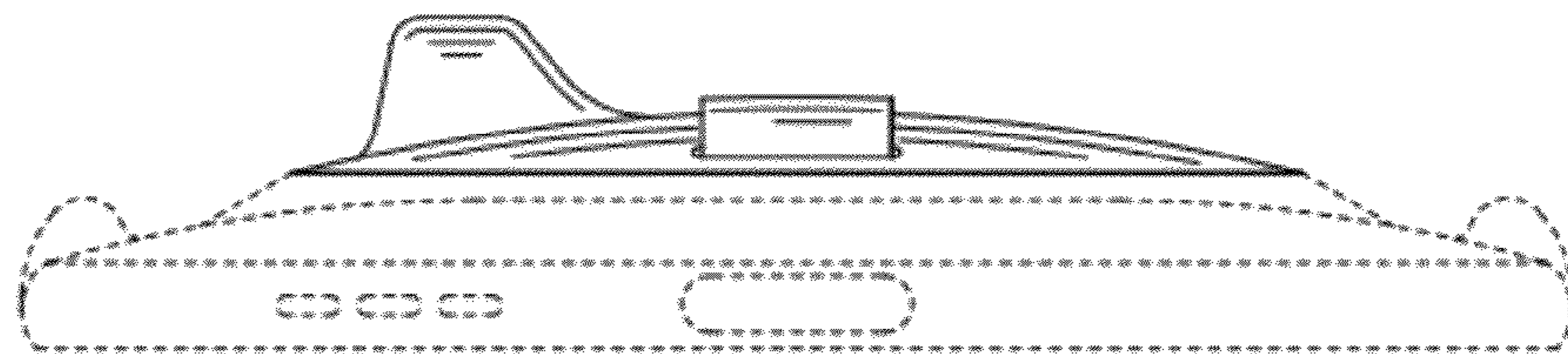


FIG. 5

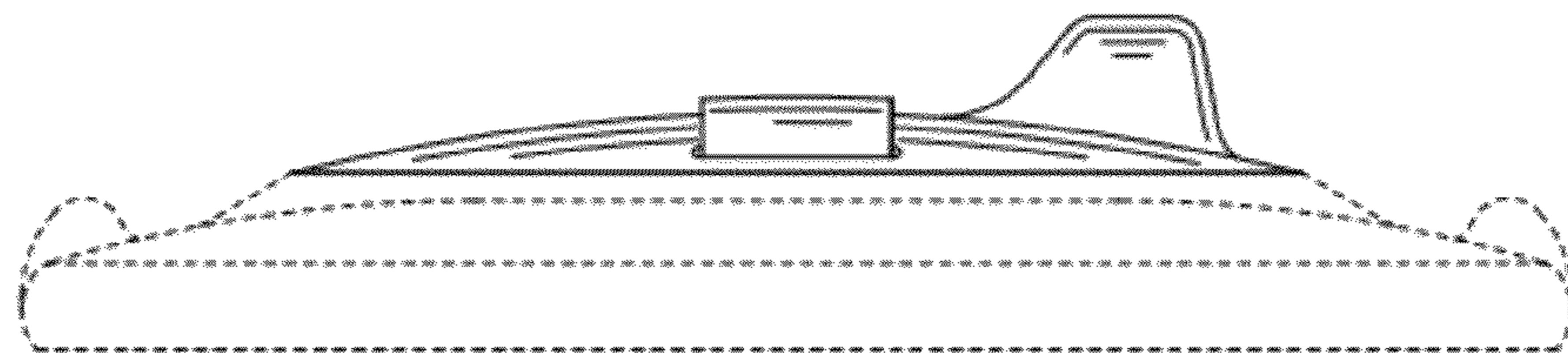


FIG. 6

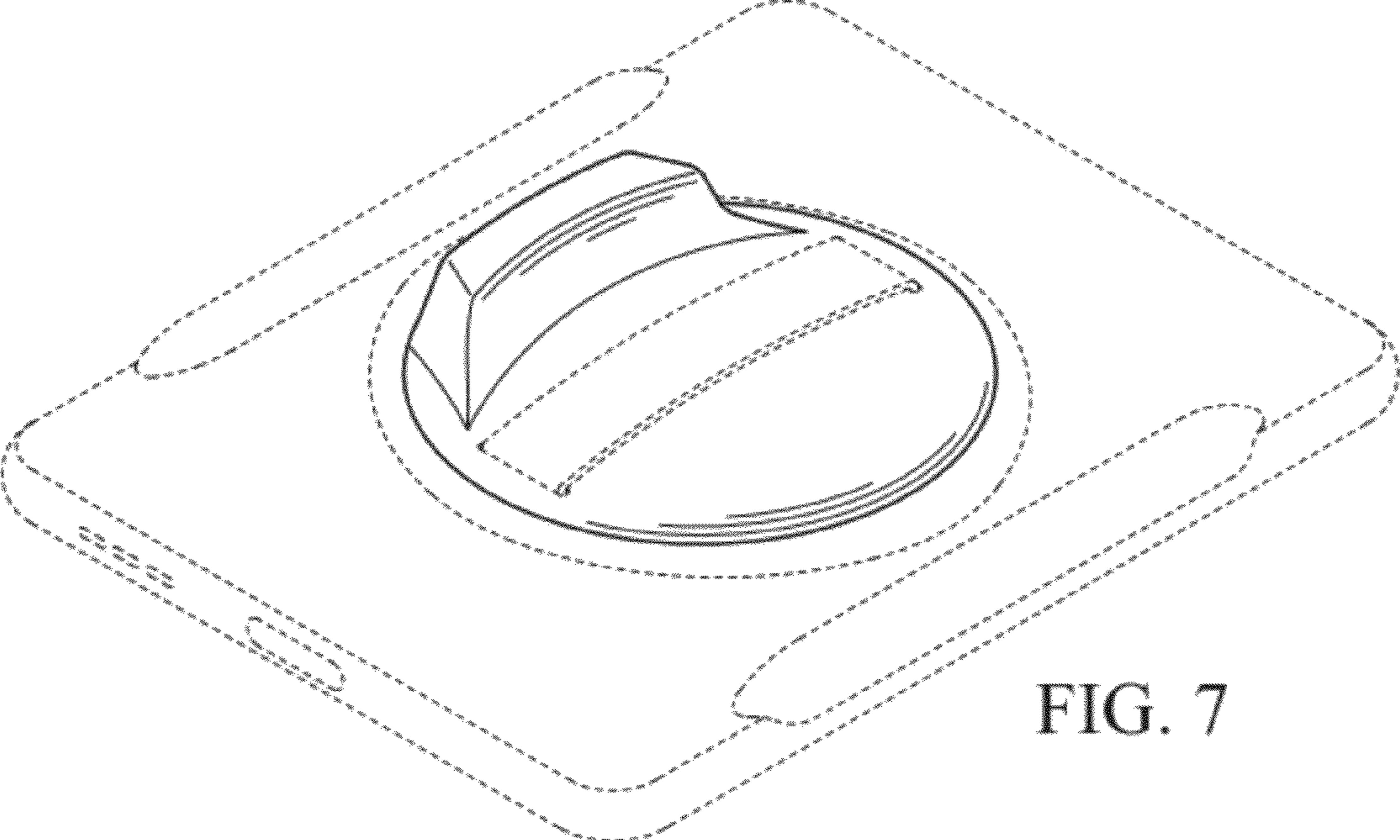


FIG. 7

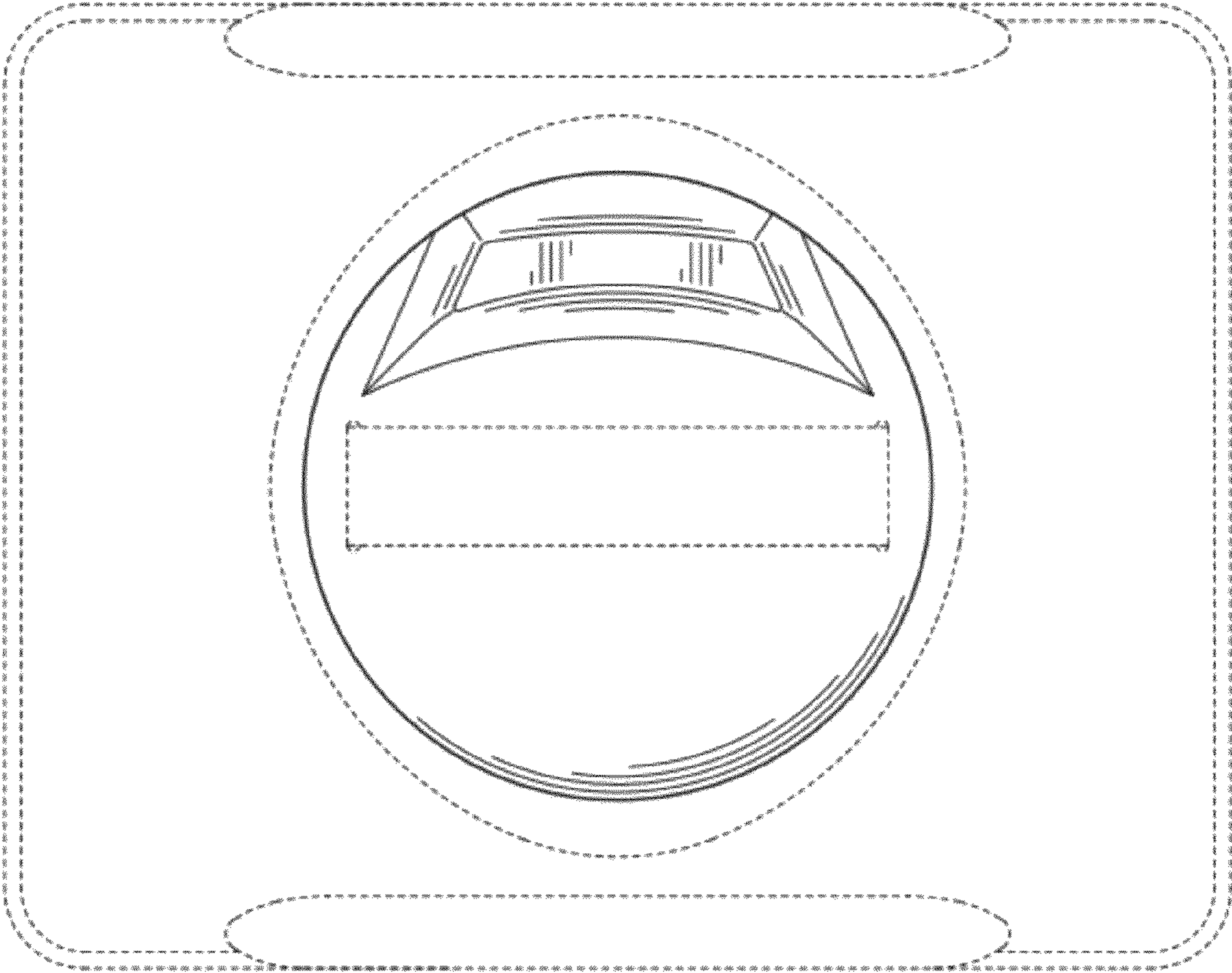


FIG. 8

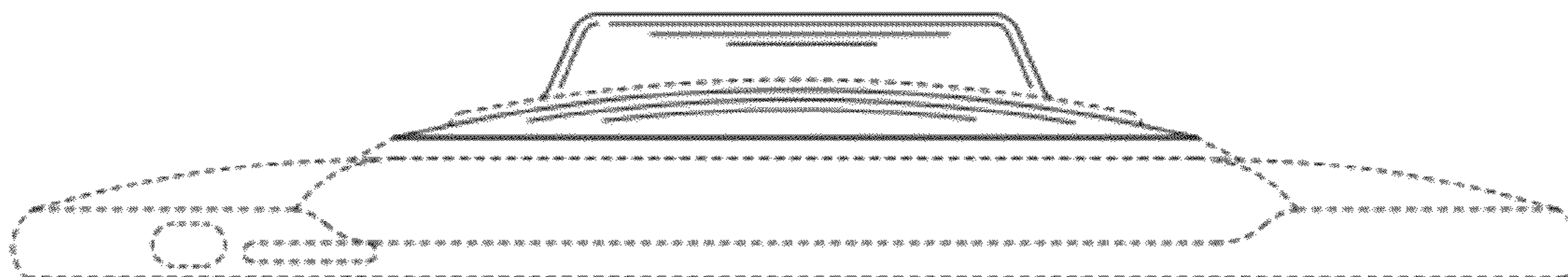


FIG. 9

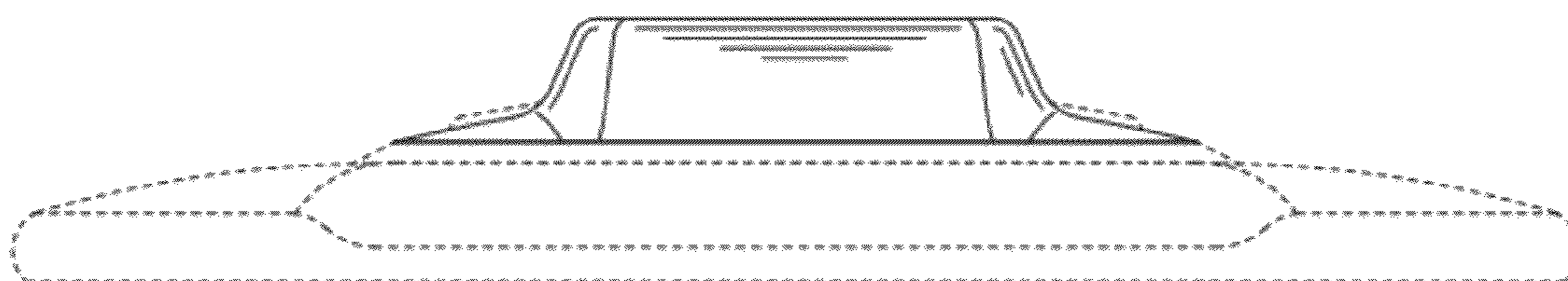


FIG. 10

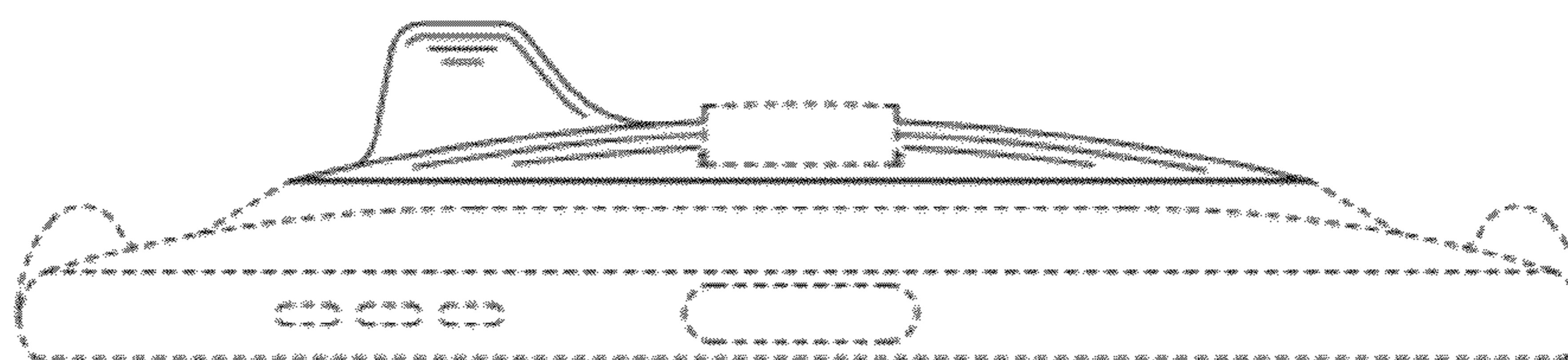


FIG. 11

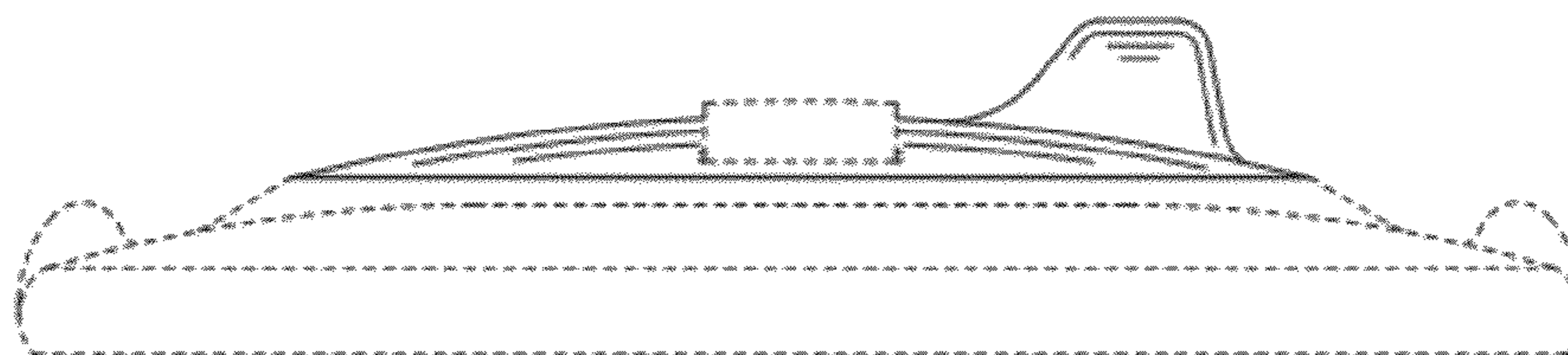


FIG. 12