



US00D657794S

(12) **United States Design Patent**
Hayes et al.

(10) **Patent No.:** **US D657,794 S**
(45) **Date of Patent:** **** Apr. 17, 2012**

(54) **BOOK SCANNING DEVICE CRADLE**

(75) Inventors: **Jonathan Hayes**, Boston, MA (US);
Paul Williamson, Providence, RI (US)

(73) Assignee: **ION Audio, LLC**, Cumberland, RI (US)

(**) Term: **14 Years**

(21) Appl. No.: **29/389,022**

(22) Filed: **Apr. 6, 2011**

(51) **LOC (9) Cl.** **14-02**

(52) **U.S. Cl.** **D14/421; D14/453**

(58) **Field of Classification Search** D14/420-424,
D14/383-386, 341, 129, 336, 409, 374; D18/4.1,
D18/4.4-4.6; D21/329; D26/371, 45, 50;
235/375, 378, 385, 454, 462.02, 486, 380,
235/382, 382.5; 382/312-315, 318-321;
250/203.1, 216; 399/7, 211; 358/497, 473,
358/474, 471, 494

See application file for complete search history.

(56) **References Cited**

U.S. PATENT DOCUMENTS

3,712,729	A	1/1973	O'Brien	
4,623,247	A	11/1986	Wilman	
4,633,080	A	12/1986	Wilman et al.	
4,636,868	A *	1/1987	Malyon	358/498
4,691,909	A *	9/1987	Owada et al.	84/486
4,831,455	A *	5/1989	Ishikawa et al.	348/373
5,359,207	A	10/1994	Turner	
5,612,791	A	3/1997	Turner et al.	
5,619,302	A *	4/1997	Wu	355/25
5,636,006	A *	6/1997	Wu	355/75
5,764,379	A *	6/1998	Matsuda et al.	358/474
5,764,383	A *	6/1998	Saund et al.	358/497
5,777,660	A	7/1998	Ard	
5,920,342	A *	7/1999	Umeda et al.	348/211.14
6,056,258	A	5/2000	Swartz et al.	
6,540,415	B1 *	4/2003	Slatter et al.	396/428
D491,943	S *	6/2004	Whitehorn et al.	D14/375
D494,977	S *	8/2004	Persson	D14/447
6,862,074	B2 *	3/2005	Tretiakoff et al.	355/25
D513,008	S *	12/2005	Takizawa et al.	D14/447

(Continued)

FOREIGN PATENT DOCUMENTS

DE 3546404 A1 7/1987

(Continued)

OTHER PUBLICATIONS

“DIY High Speed Book Scanner from Trash and Cheap: Handle/ Electronics Overview” Instructables—<http://www.instructables.com/id/DIY-High-Speed-Book-Scanner-from-Trash-and-Cheap-C/step57/HandleElectronics-Overview/> (Date accessed, Dec. 6, 2010).

(Continued)

Primary Examiner — Susan Moon Lee

(74) *Attorney, Agent, or Firm* — Barlow, Josephs & Holmes, Ltd.

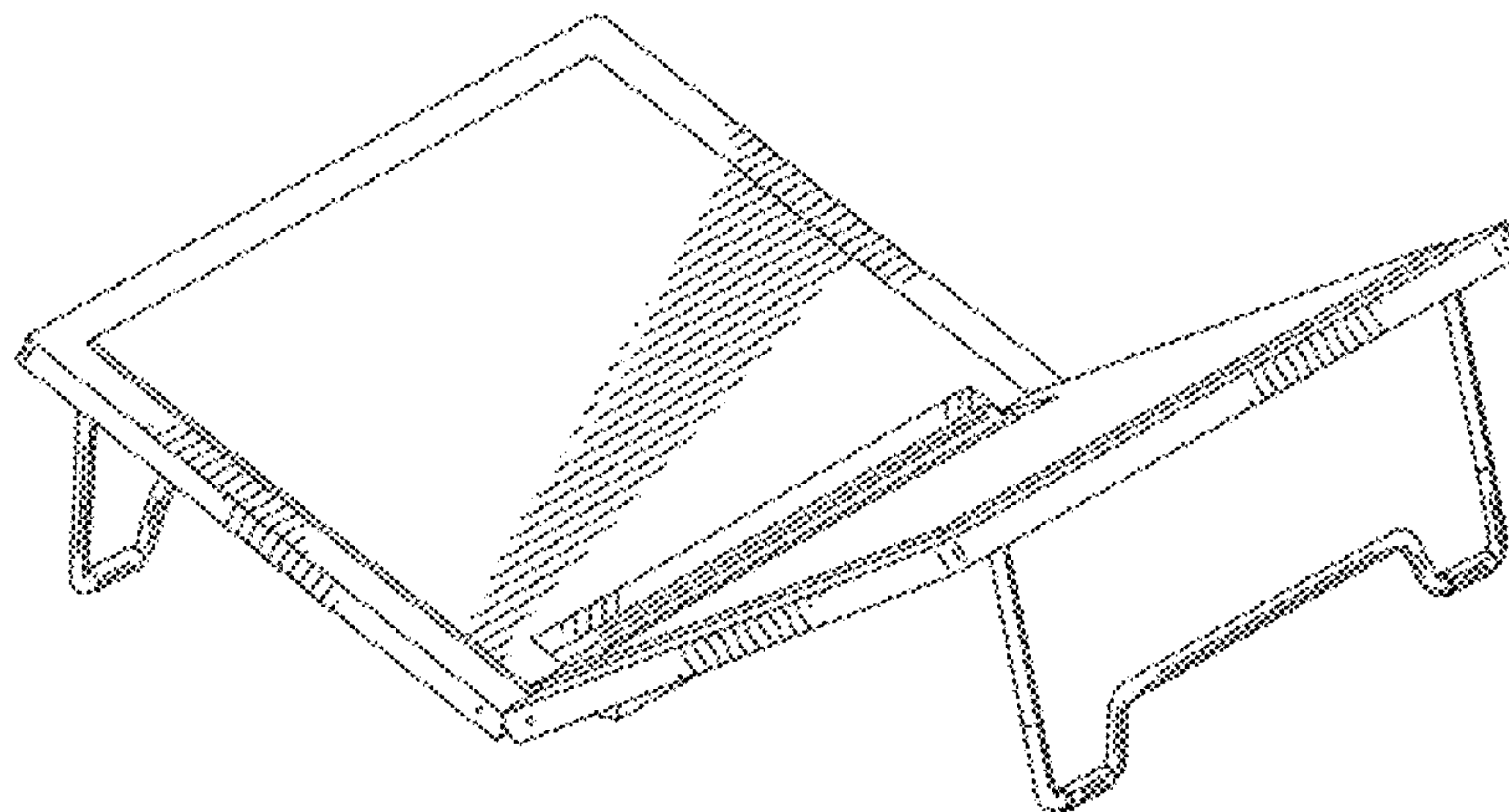
(57) **CLAIM**

The ornamental design for a book scanning device cradle, showing our new design, as shown and described.

DESCRIPTION

FIG. 1 is a top, front, and left side perspective view of an embodiment of a book scanning device cradle showing our new design; FIG. 2 is a front elevation view thereof; FIG. 3 is a rear elevation view thereof; FIG. 4 is a left side elevation view thereof; FIG. 5 is a right side elevation view thereof; FIG. 6 is a top view thereof; FIG. 7 is a bottom view thereof; and, FIG. 8 is a partially exploded, perspective view thereof, showing the book scanning device cradle separated from the camera assembly and page compressor; the camera assembly and page compressor and book, shown resting in the book scanning device cradle, depicted in broken lines are for environmental purposes only and form no part of the claimed design.

1 Claim, 8 Drawing Sheets



US D657,794 S

Page 2

U.S. PATENT DOCUMENTS

D528,086 S * 9/2006 Chia D14/126
D533,558 S * 12/2006 Elkhuizen et al. D14/447
D549,709 S * 8/2007 Richter D14/447
D554,647 S * 11/2007 Chan D14/447
7,551,333 B2 * 6/2009 Chien 358/497
D624,922 S * 10/2010 Hui et al. D14/447
D626,129 S * 10/2010 Lutz D14/447
D626,964 S * 11/2010 Richardson et al. D14/447
7,843,611 B2 * 11/2010 Albahri 358/474
D633,914 S * 3/2011 Yamada D14/420
D639,814 S * 6/2011 Farris-Gilbert et al. D14/447
D639,815 S * 6/2011 Lye D14/447
D643,845 S * 8/2011 Hong D14/447
D644,230 S * 8/2011 Lin D14/447
D645,867 S * 9/2011 Wong et al. D14/447
2003/0194111 A1 * 10/2003 Kano et al. 382/112
2004/0218231 A1 * 11/2004 Sheng et al. 358/474
2006/0152773 A1 7/2006 Wu
2008/0158618 A1 7/2008 Reese et al.
2008/0165395 A1 * 7/2008 Chen 358/497

2008/0316551 A1 * 12/2008 Taylor et al. 358/498
2009/0296168 A1 * 12/2009 Proudfoot et al. 358/475
2010/0067068 A1 3/2010 Jeong et al.
2010/0123941 A1 5/2010 Albahri
2010/0296138 A1 11/2010 Jakes et al.

FOREIGN PATENT DOCUMENTS

DE 102009013831 A1 9/2010

OTHER PUBLICATIONS

“BookDrive Mini” Tiz, <http://mini.atiz.com/> (Date accessed, Dec. 6, 2010).

“Public Domain Images of the Portable Book Scanner” The Fake Project Corporation of America—<http://www.danreetz.com/blog/2009/10/12/public-domain-images-of-the-portable-book-scanner/> (Date accessed, Dec. 6, 2010).

“Mobile Scanning for Business” Capture ID—<http://www.capture-id.com/> (Date accessed, Dec. 6, 2010).

* cited by examiner

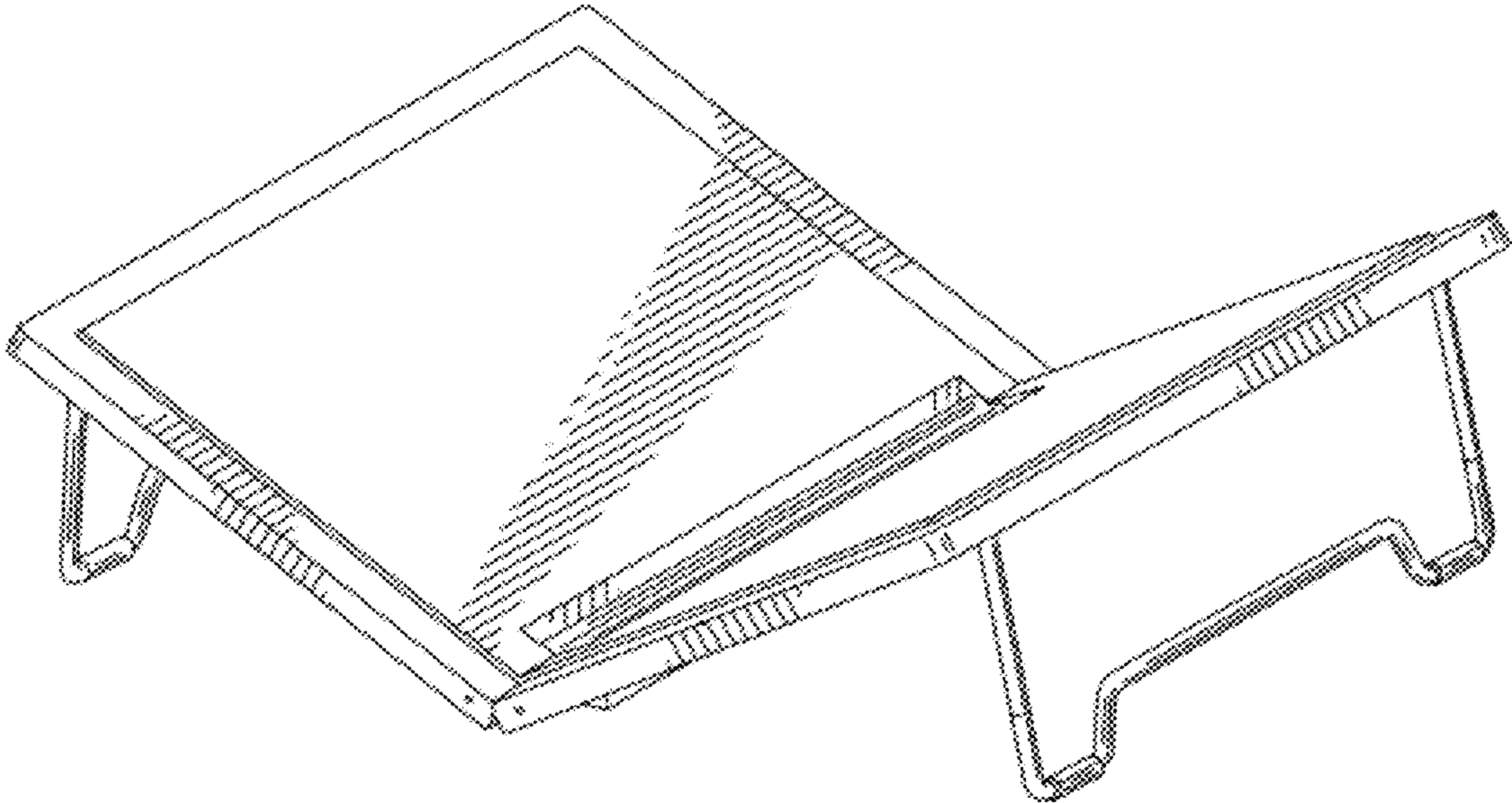


FIG. 1

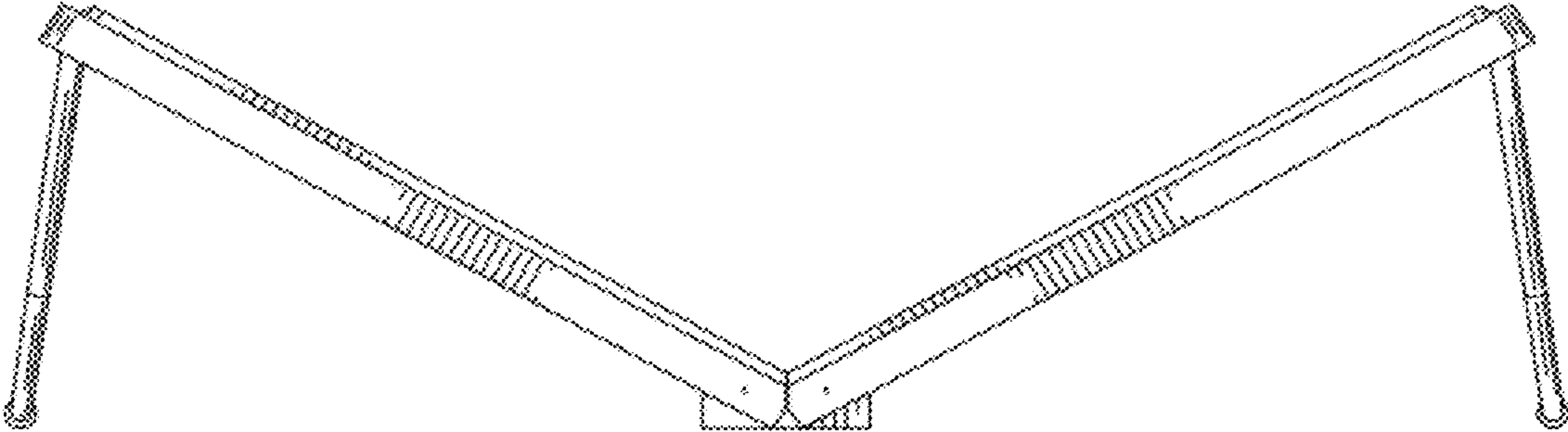


FIG. 2

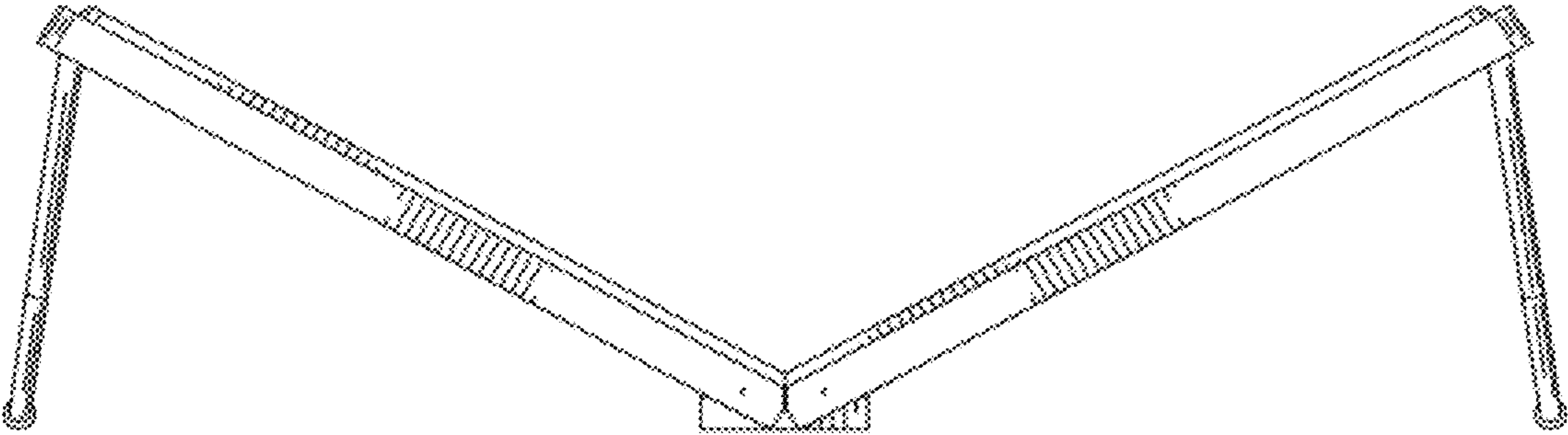


FIG. 3

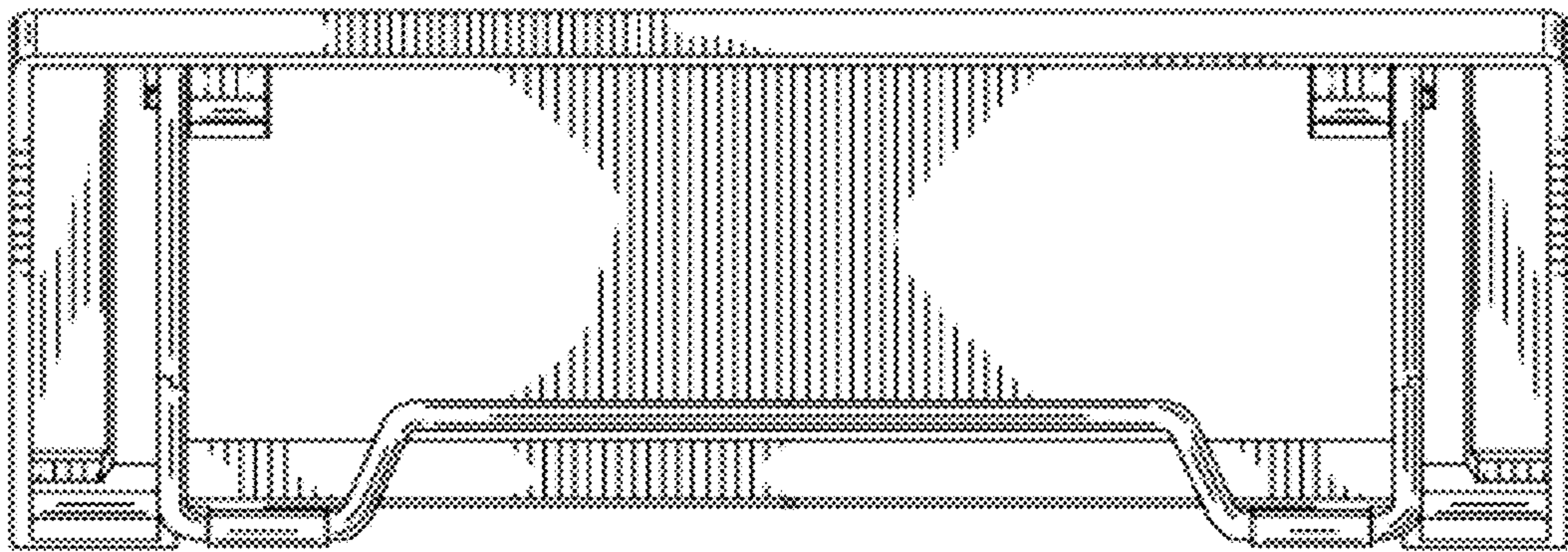


FIG. 4

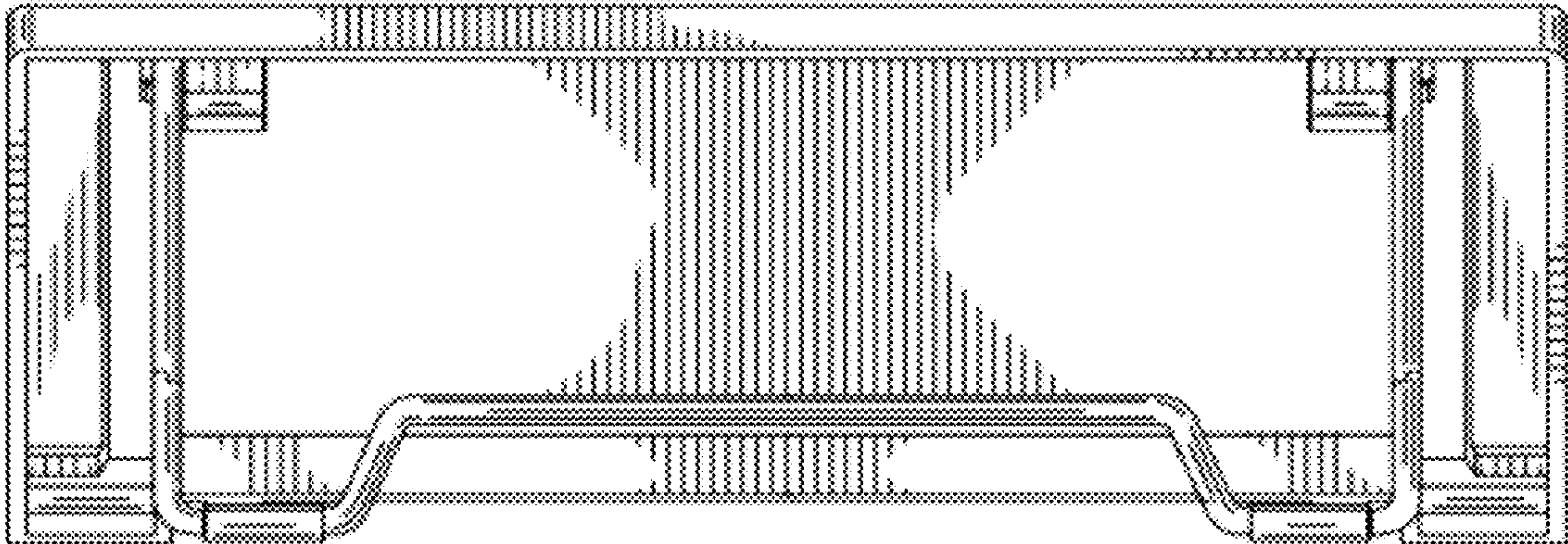


FIG. 5

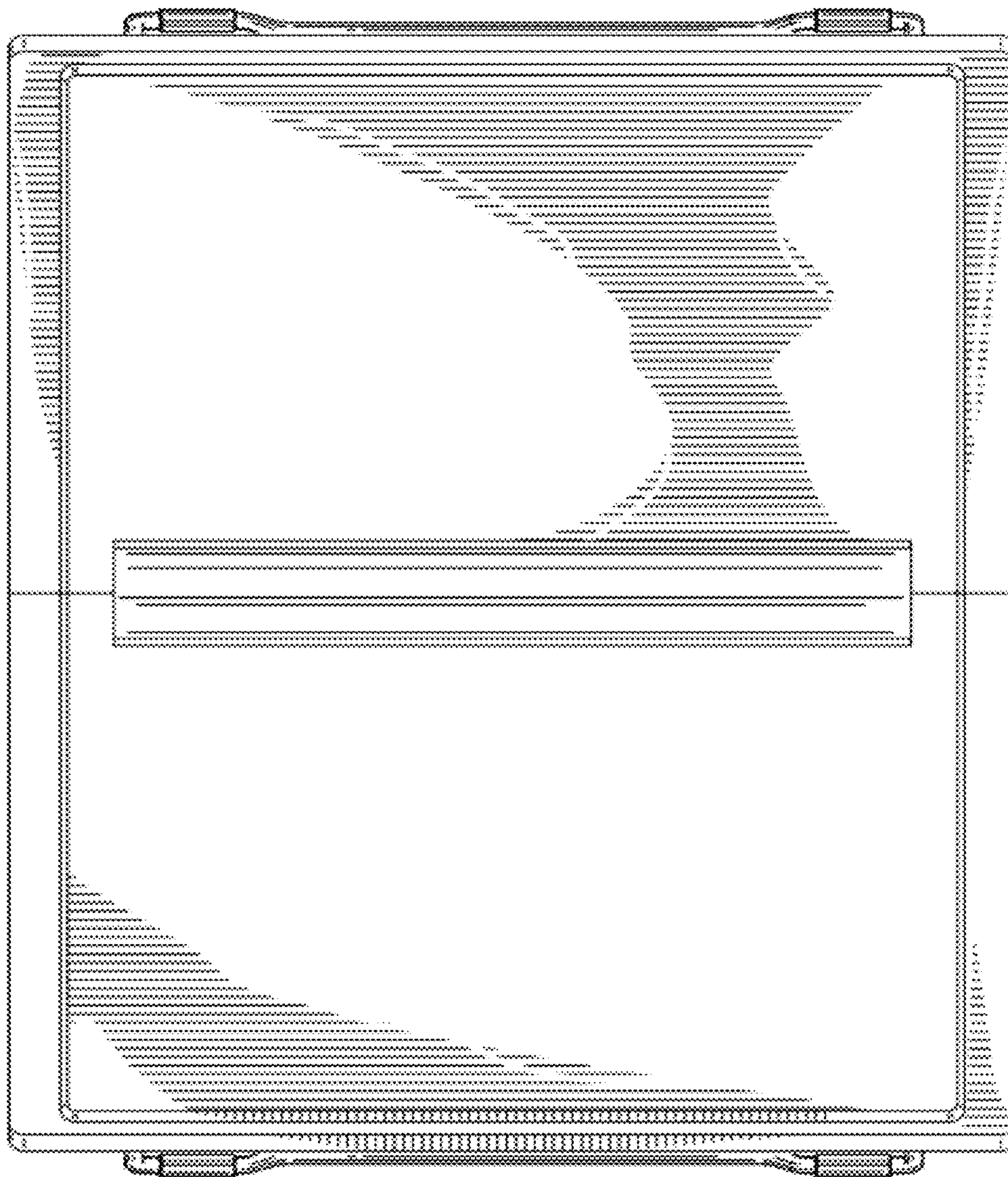


FIG. 6

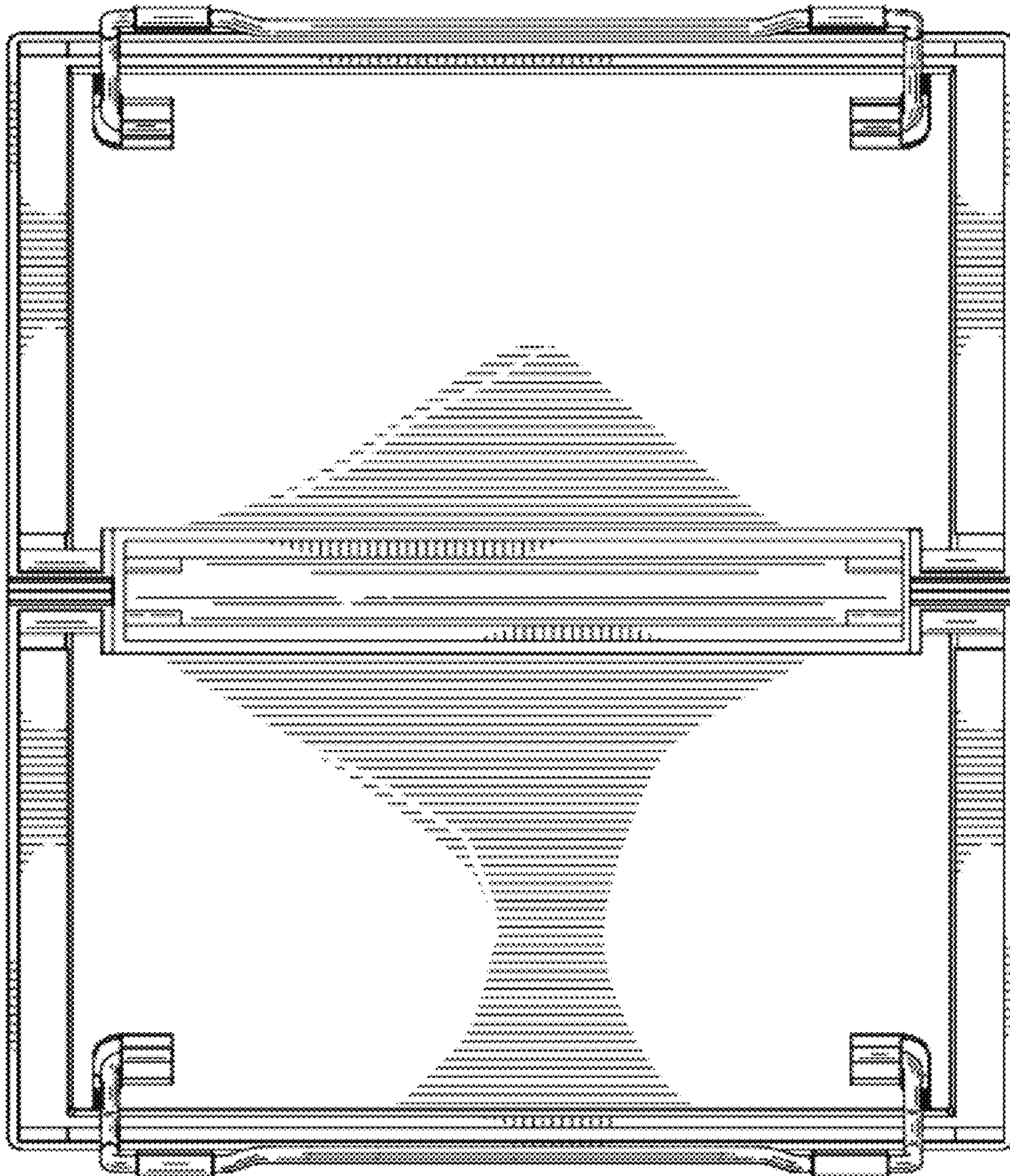


FIG. 7

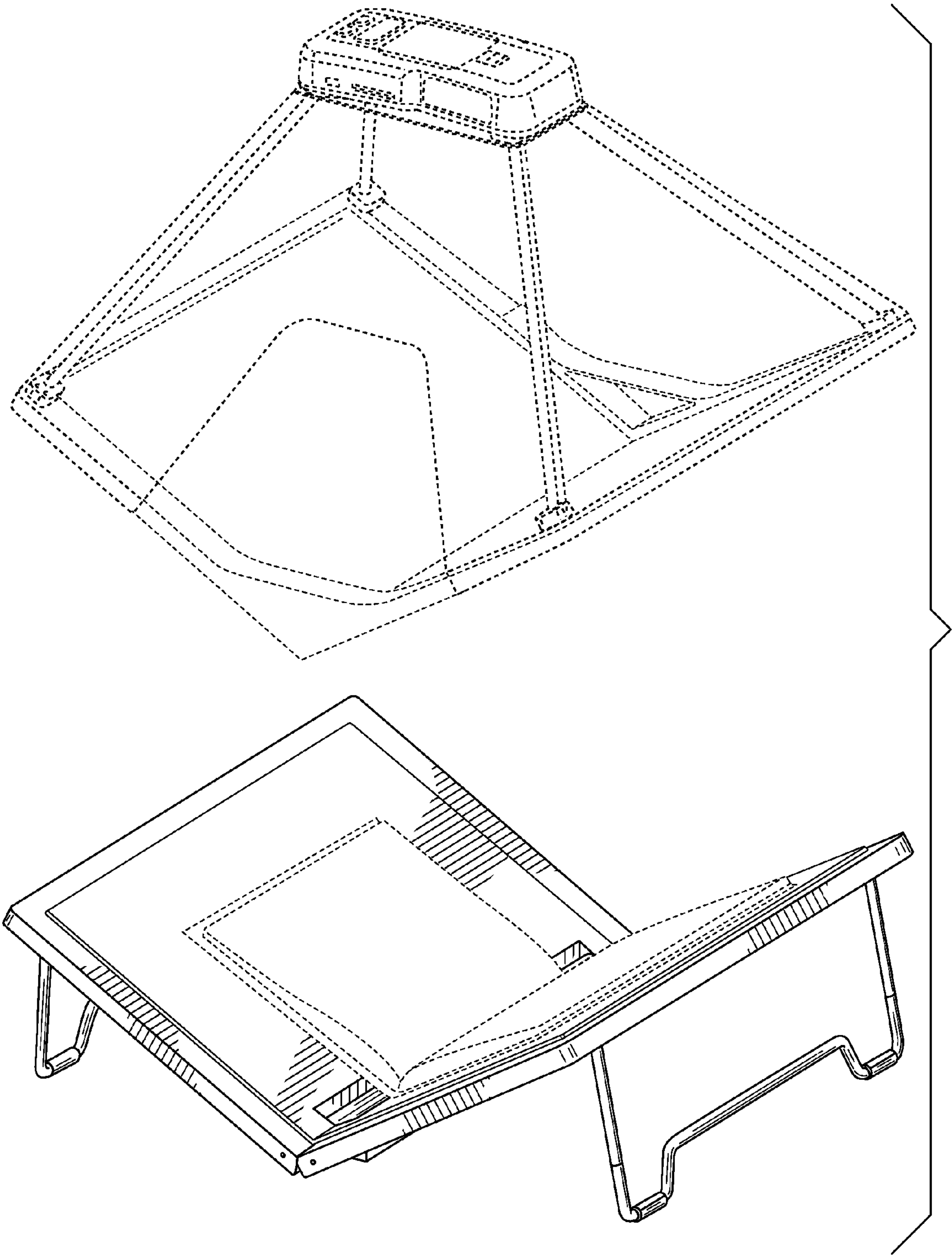


FIG. 8