



US00D657789S

(12) **United States Design Patent**
Lee et al.

(10) **Patent No.:** **US D657,789 S**
(45) **Date of Patent:** **** Apr. 17, 2012**

(54) **MONITOR FOR COMPUTER**
(75) Inventors: **Yong-Joo Lee**, Seoul (KR); **Jun-Ho Yang**, Seongnam (KR); **Dong-Hee Won**, Seoul (KR); **Seung-Cheol Lee**, Seoul (KR); **Eui-Seok Kim**, Seongnam (KR)
(73) Assignee: **Samsung Electronics Co., Ltd.**, Suwon (KR)
(**) Term: **14 Years**
(21) Appl. No.: **29/393,894**
(22) Filed: **Jun. 10, 2011**

KR 300426150000 9/2006
KR 3004293530000 11/2006
KR 3004293530001 11/2006
KR 3004339210000 12/2006
KR 3004388560001 2/2007
KR 3004388560002 3/2007
KR 3004745330000 1/2008
KR 3004772070000 1/2008
KR 3004808250000 3/2008
KR 3004809710000 3/2008
KR 3004745330001 4/2008
KR 3004873790000 4/2008
KR 3004873800000 4/2008
KR 3004873810000 4/2008

(Continued)

(30) **Foreign Application Priority Data**
Feb. 16, 2011 (KR) 30-2011-0005954
(51) **LOC (9) Cl.** **14-02**
(52) **U.S. Cl.** **D14/374**
(58) **Field of Classification Search** D14/371-375,
D14/125-129, 336, 337; 341/12; 345/104,
345/156, 168, 173; 348/180, 184, 325, 739;
349/1, 2, 11, 62; 361/679.05-679.07, 679.21;
D6/300, 308
See application file for complete search history.

(56) **References Cited**

U.S. PATENT DOCUMENTS

D483,757 S * 12/2003 Olson et al. D14/371
D554,639 S * 11/2007 Kim et al. D14/375
D569,815 S * 5/2008 Otani D14/126
D578,087 S * 10/2008 Yokota D14/126
D599,756 S * 9/2009 Yokota D14/126
7,609,507 B2 * 10/2009 Sakata et al. 361/679.21
7,612,991 B2 * 11/2009 Sakata et al. 361/679.22
D636,745 S * 4/2011 Yokota et al. D14/126
2008/0019088 A1 * 1/2008 Williams et al. 361/681

FOREIGN PATENT DOCUMENTS

KR 3003832320000 6/2005
KR 3003879930000 8/2005
KR 3004144010000 5/2006
KR 3004261490000 9/2006

OTHER PUBLICATIONS

U.S. Appl. No. 29/393,955, Applicant: Lee, et al., filed Jun. 10, 2011 entitled Monitor for Computer.

(Continued)

Primary Examiner — Freda S Nunn
(74) *Attorney, Agent, or Firm* — Wood, Herron & Evans, LLP

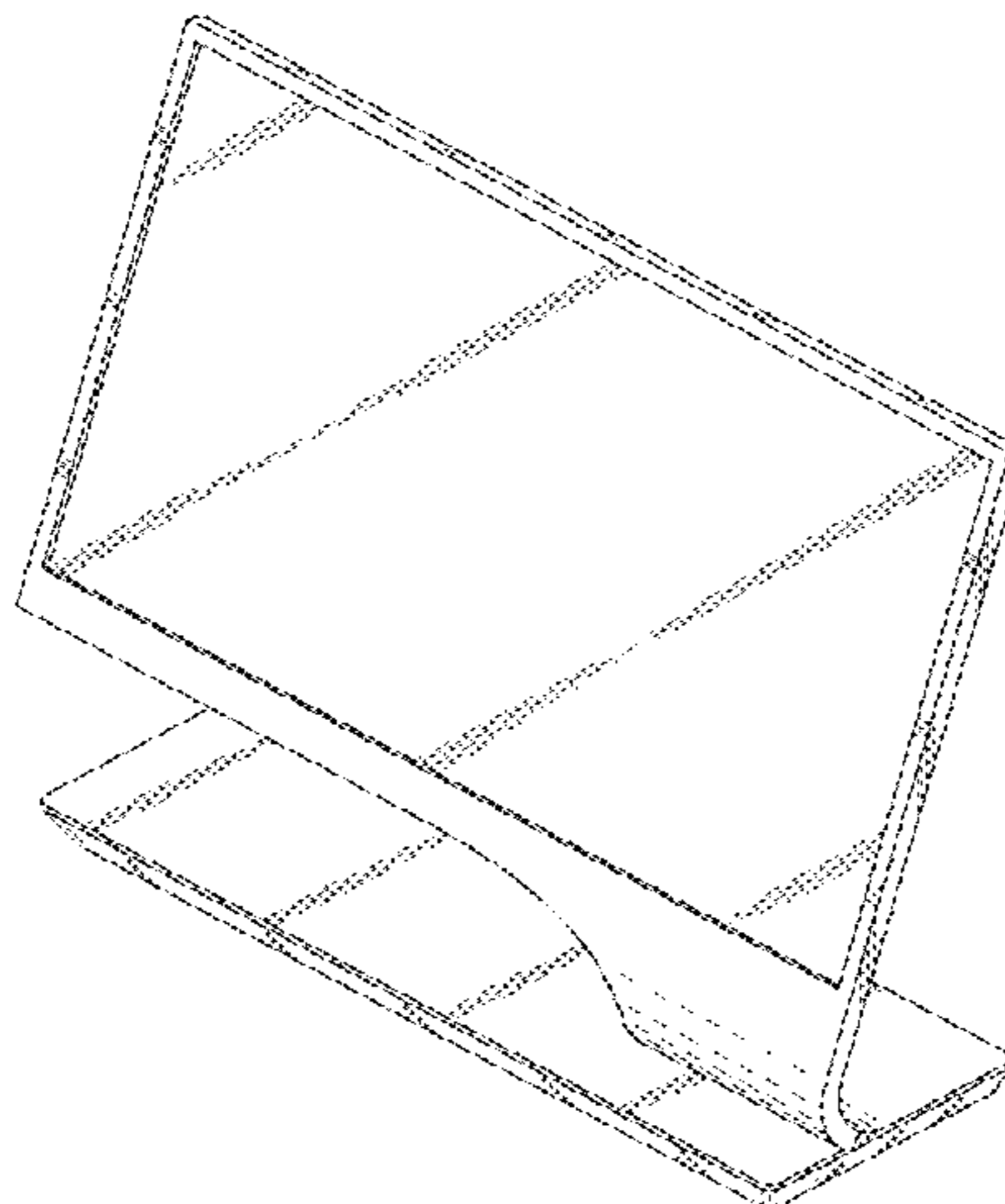
(57) **CLAIM**

The ornamental design for monitor for computer, as shown and described.

DESCRIPTION

FIG. 1 is a top front perspective view of a monitor for computer showing our new design;
FIG. 2 is a front elevational view thereof;
FIG. 3 is a rear elevational view thereof;
FIG. 4 is a left side elevational view thereof;
FIG. 5 is a right side elevational view thereof;
FIG. 6 is a top plan view thereof; and,
FIG. 7 is a bottom plan view thereof.

1 Claim, 4 Drawing Sheets



FOREIGN PATENT DOCUMENTS

KR 3005011860000 8/2008

OTHER PUBLICATIONS

U.S. Appl. No. 29/393,978, Applicant: Kim, et al., filed Jun. 10, 2011
entitled Monitor for Computer.

U.S. Appl. No. 29/393,889, Applicant: Kim, et al., filed Jun. 10, 2011
entitled Monitor for Computer.

U.S. Appl. No. 29/393,886, Applicant: Lee, et al., filed Jun. 10, 2011
entitled Monitor for Computer.

U.S. Appl. No. 29/397,048, Applicant: Lee, et al., filed Jul. 11, 2011
entitled Monitor for Computer.

U.S. Appl. No. 29/397,053, Applicant: Lee, et al., filed Jul. 11, 2011
entitled Monitor for Computer.

* cited by examiner

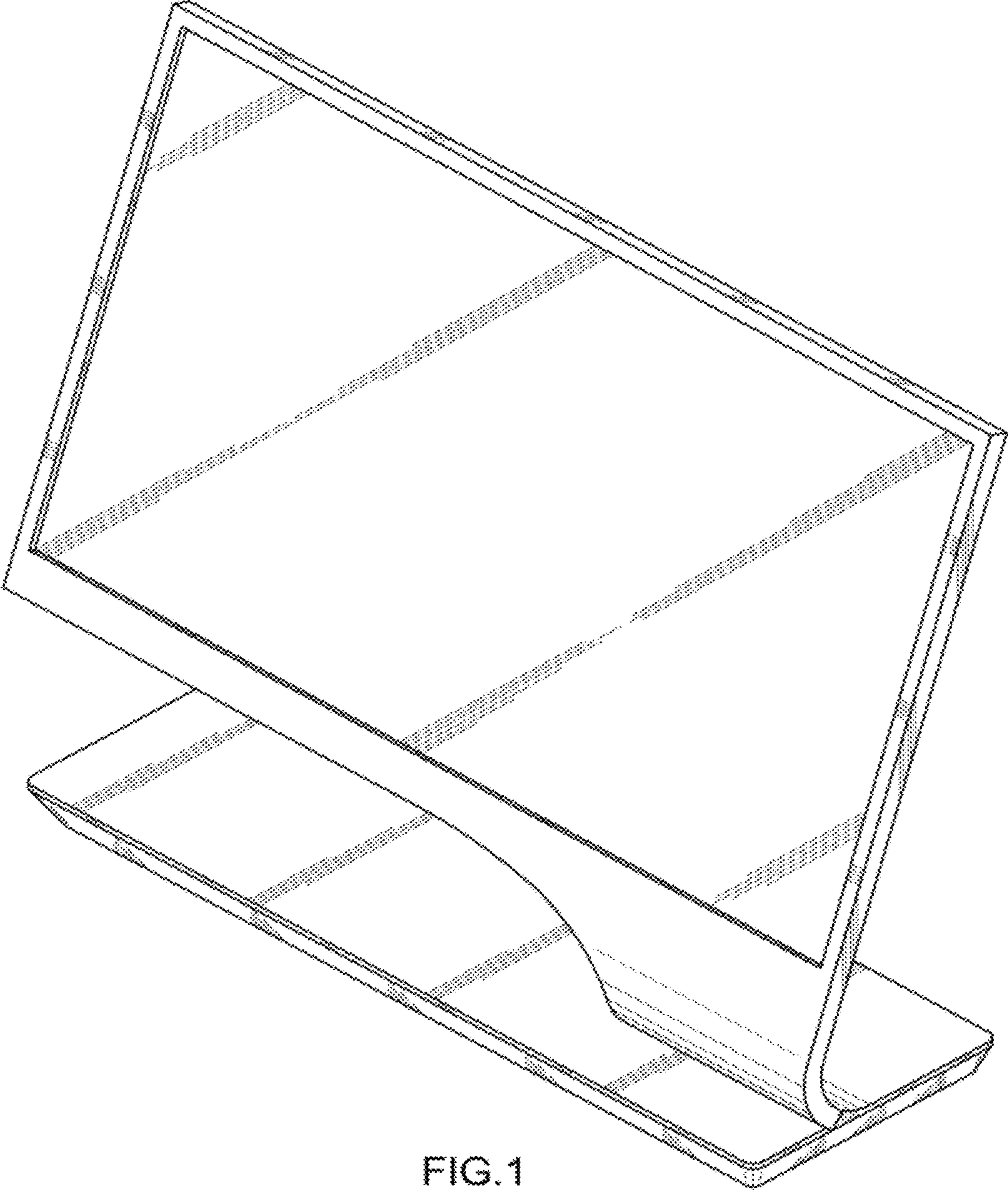


FIG. 1

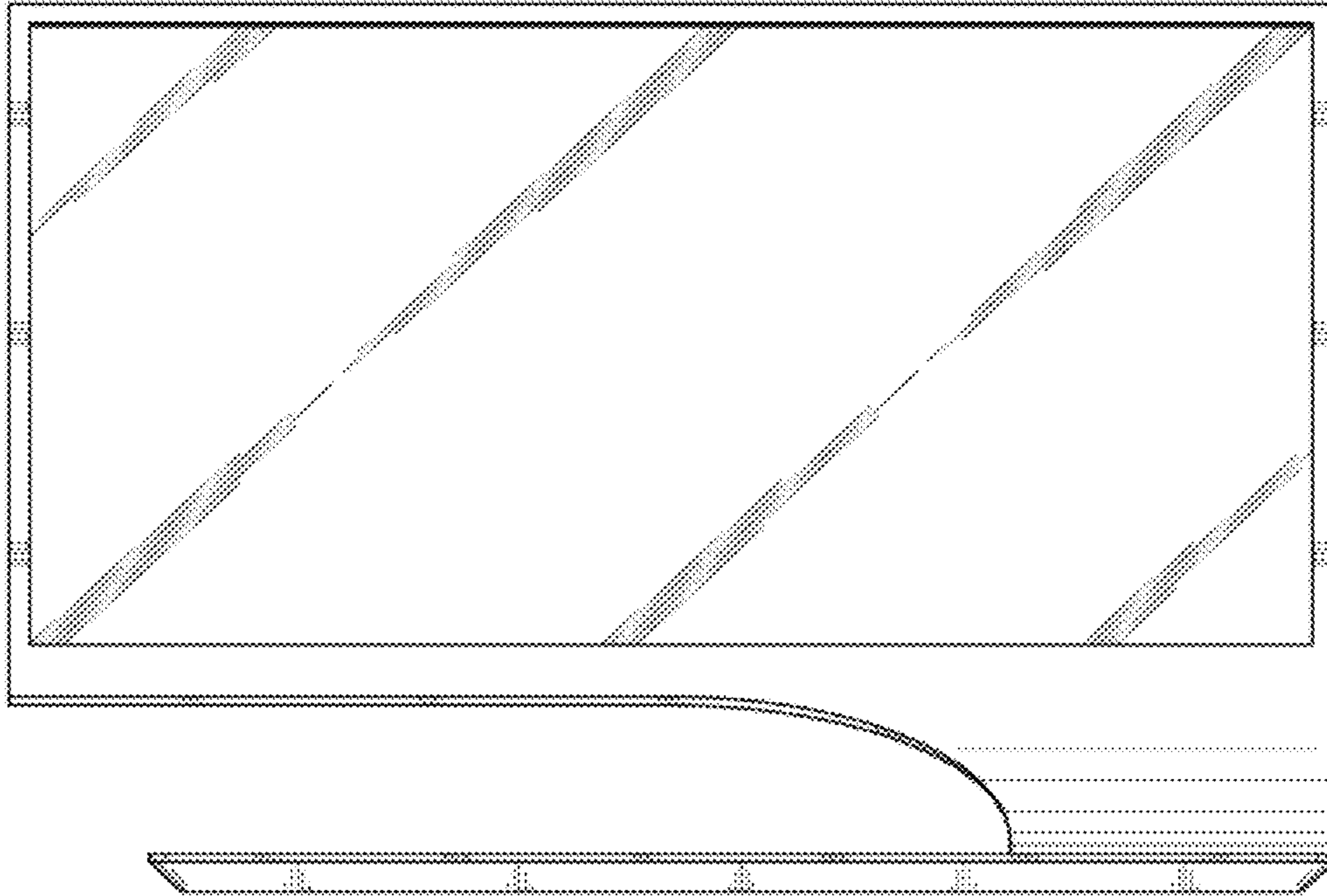


FIG. 2

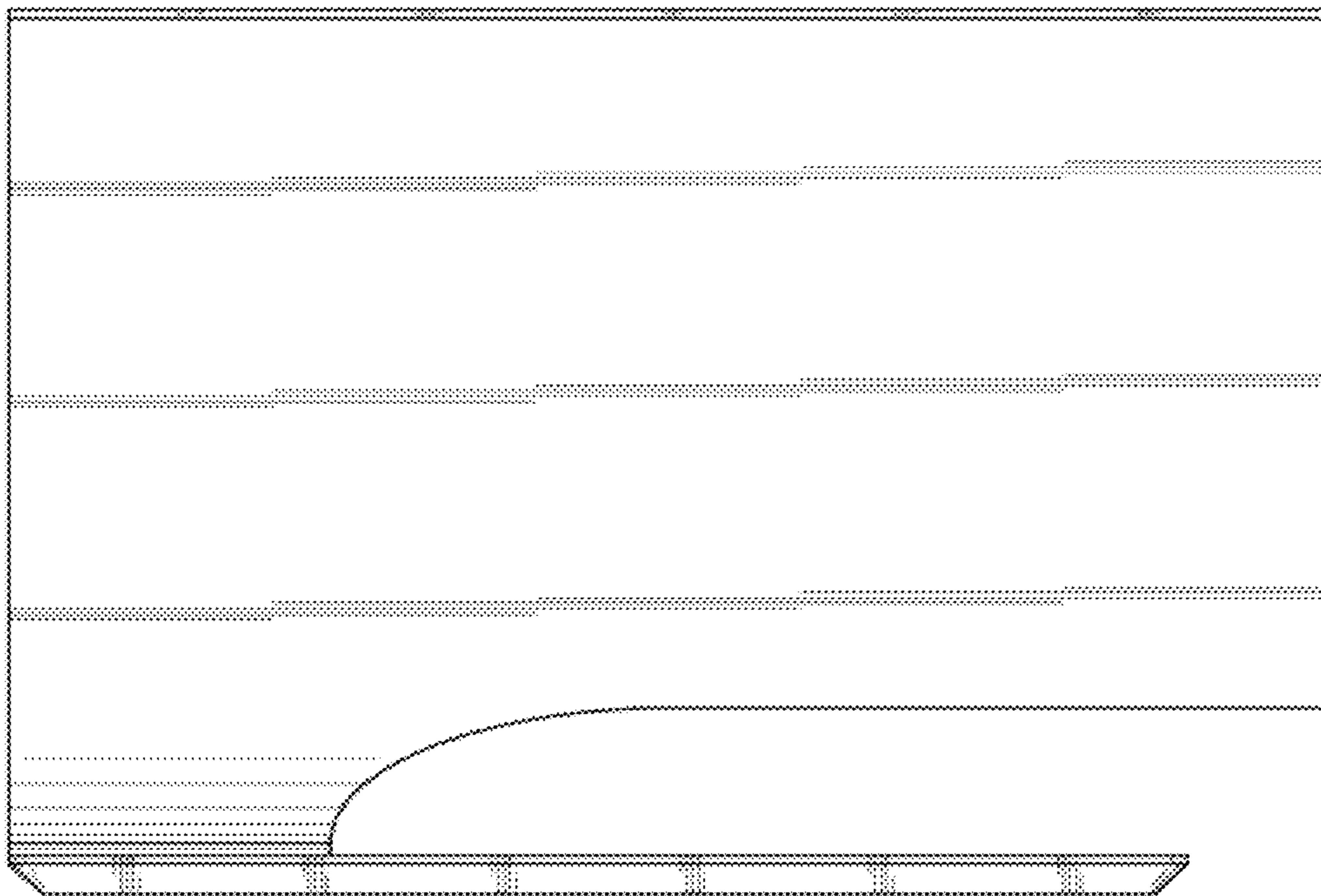


FIG. 3

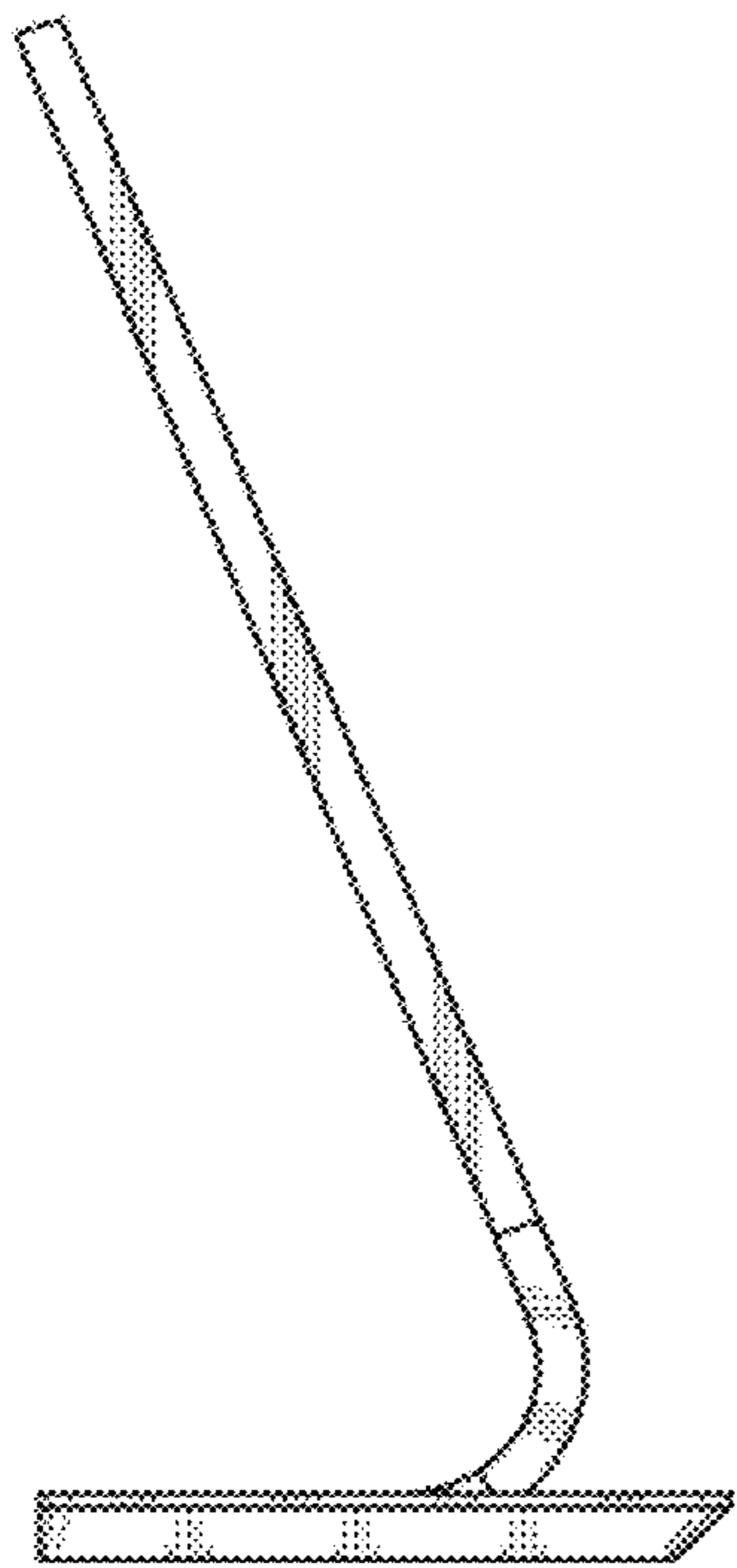


FIG. 4

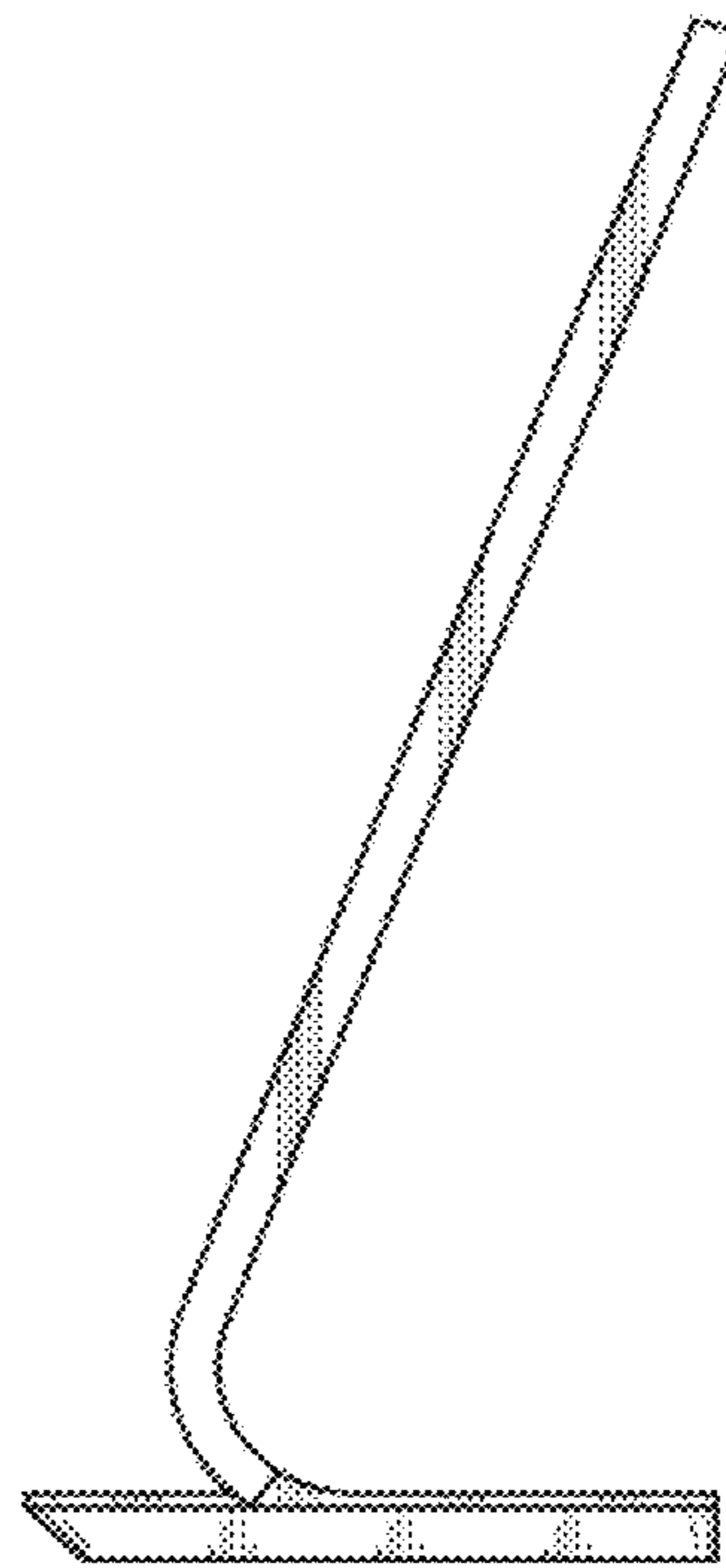


FIG. 5

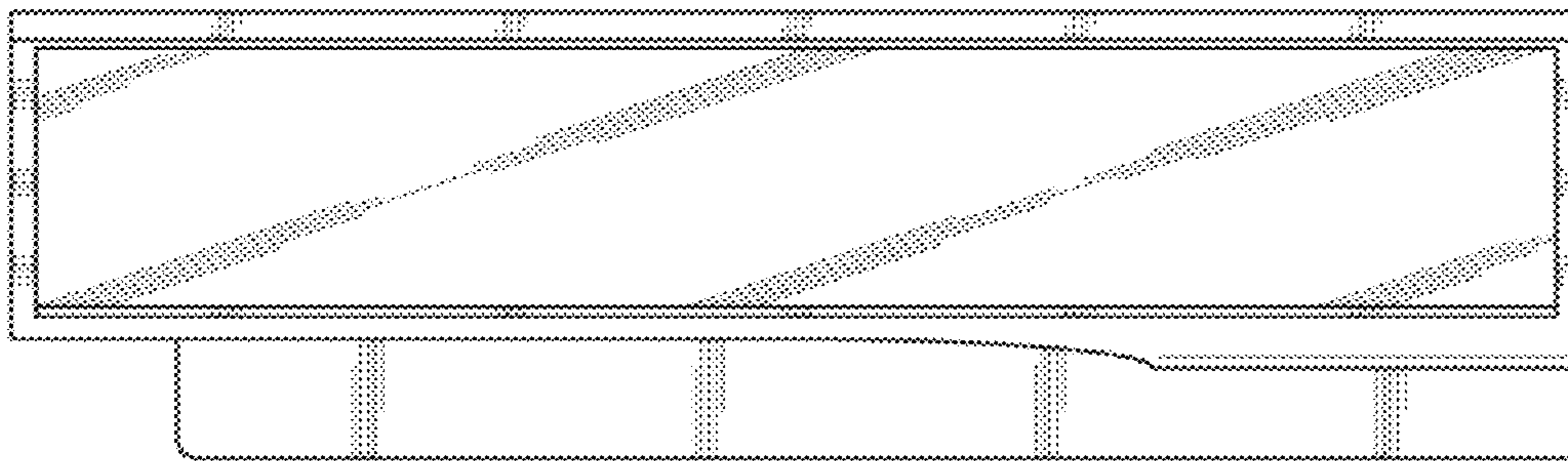


FIG. 6

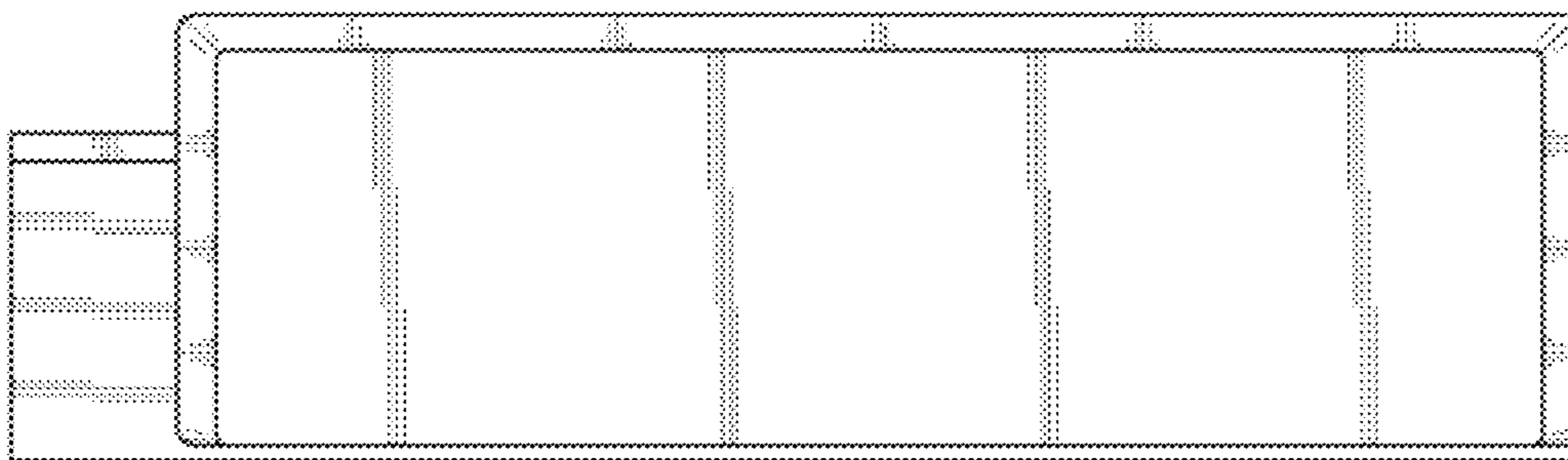


FIG. 7