



US00D657788S

(12) **United States Design Patent**  
**Ledbetter et al.**

(10) **Patent No.:** **US D657,788 S**  
(45) **Date of Patent:** **\*\* Apr. 17, 2012**

(54) **ELECTRONIC HOUSING**

(75) Inventors: **Carl J. Ledbetter**, Mercer Island, WA (US); **Dustin R. Brown**, Chicago, IL (US); **John Ikeda**, Seattle, WA (US); **Scott Harold Wilson**, Chicago, IL (US); **Claire M. Gerhardt**, Seattle, WA (US); **Stephen Christopher**, Chicago, IL (US)

(73) Assignee: **Microsoft Corporation**, Redmond, WA (US)

(\*\*) Term: **14 Years**

(21) Appl. No.: **29/362,865**

(22) Filed: **Jun. 1, 2010**

(51) **LOC (9) Cl.** ..... **14-02**

(52) **U.S. Cl.** ..... **D14/363; D14/300; D14/349; D14/356**

(58) **Field of Classification Search** ..... D14/240, D14/300, 308, 313, 349-356, 364-368; D13/162, D13/184, 199; 312/223.1-223.3, 351.11; 360/99.01-99.12; 369/34.01-36.01; 361/679.31-679.33, 679.37, 679.39, 679.46, 361/679.53, 679.4

See application file for complete search history.

(56) **References Cited**

**U.S. PATENT DOCUMENTS**

D287,243 S	12/1986	Tope	
D368,085 S *	3/1996	Mittal et al.	D14/125
D380,447 S	7/1997	Chen et al.	
5,649,839 A	7/1997	Yu	
D390,202 S	2/1998	Goto	
D416,264 S	11/1999	Althans et al.	
6,076,124 A *	6/2000	Korowitz et al.	710/301
6,104,616 A *	8/2000	Benson et al.	361/724
D433,681 S	11/2000	Jean et al.	
D440,563 S *	4/2001	Lee et al.	D14/349
D458,218 S	6/2002	Reynolds	
D471,541 S *	3/2003	Tomino et al.	D14/240
D490,372 S	5/2004	Lee et al.	
D496,049 S	9/2004	Heinz et al.	
D497,906 S	11/2004	Kellom et al.	

D499,109 S	11/2004	Chen et al.	
D512,419 S	12/2005	Juszkiewicz et al.	
D514,076 S	1/2006	Albano et al.	
D514,118 S	1/2006	Christianson	
D526,316 S *	8/2006	Lauffer et al.	D14/300
D526,321 S	8/2006	Hayes et al.	
D531,176 S *	10/2006	Ng et al.	D14/300
D540,752 S	4/2007	Hayes et al.	
D541,233 S	4/2007	Hayes et al.	
7,212,412 B2 *	5/2007	Carlson et al.	361/727
D543,954 S	6/2007	Hayes et al.	
D543,955 S	6/2007	Hayes et al.	
D543,956 S	6/2007	Hayes et al.	
D569,917 S	5/2008	Del Castillo et al.	
D585,446 S *	1/2009	Sun et al.	D14/349
2003/0081377 A1 *	5/2003	Lin	361/683
2005/0047079 A1 *	3/2005	Gasbarro et al.	361/686
2006/0146492 A1	7/2006	Reents et al.	

**OTHER PUBLICATIONS**

Images of the Xbox 360 game console, 1 sheet, Microsoft Corporation, 2005.

\* cited by examiner

*Primary Examiner* — Freda S Nunn

(74) *Attorney, Agent, or Firm* — Banner & Witcoff, Ltd.

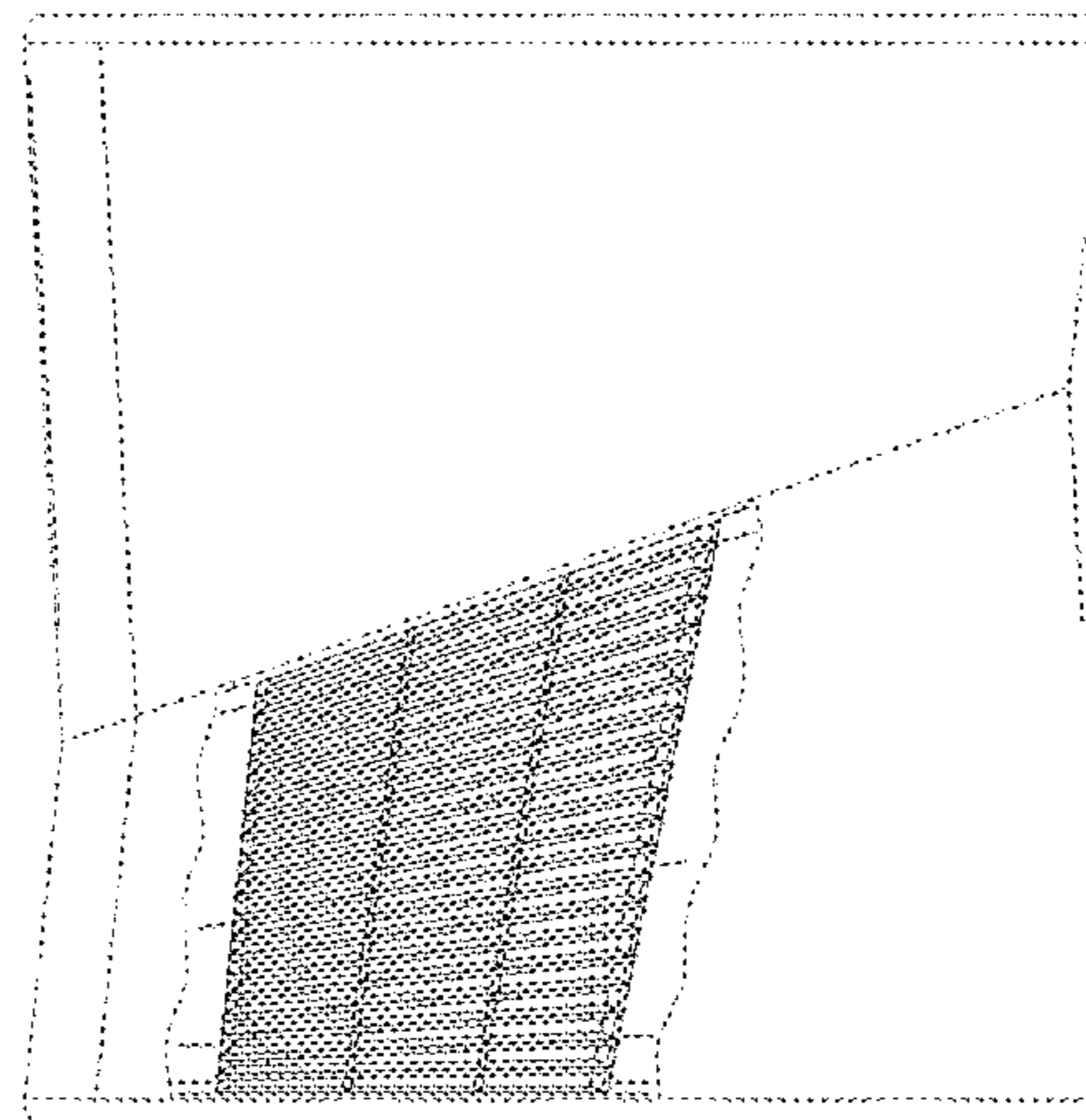
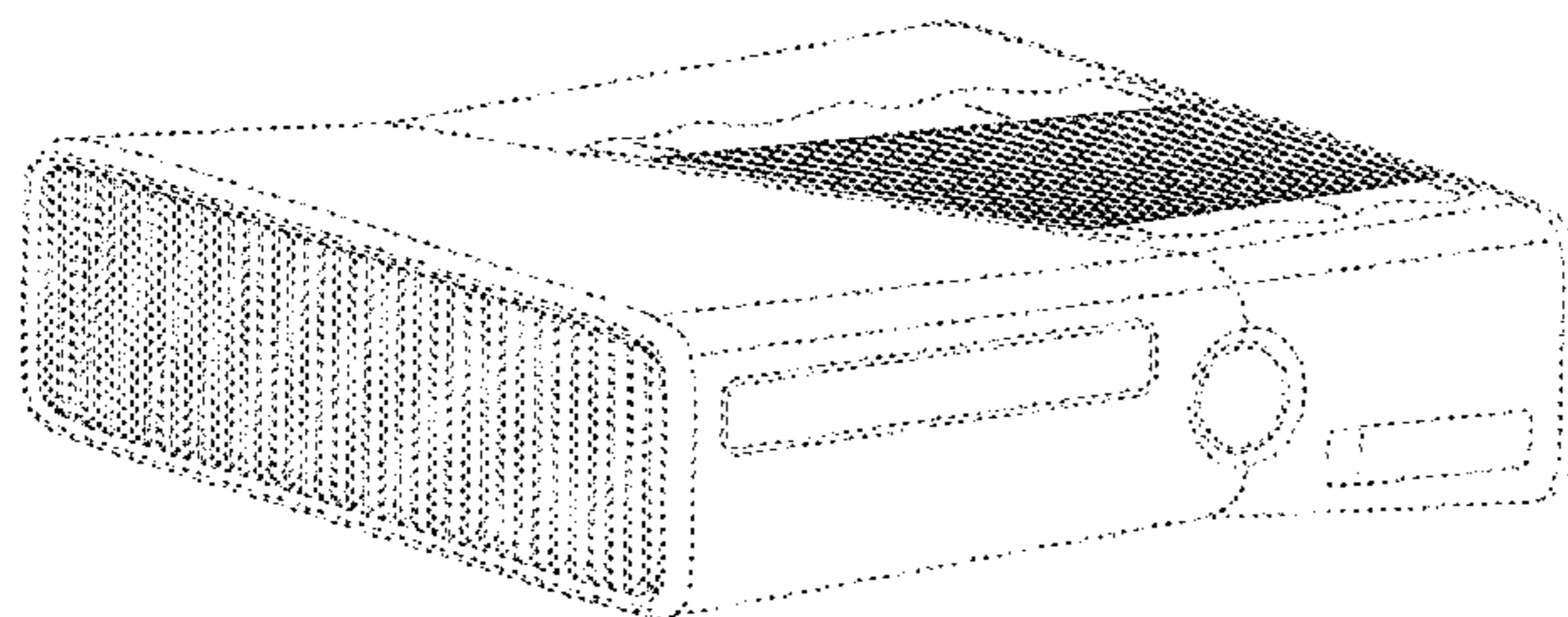
(57) **CLAIM**

The ornamental design for an electronic housing, as shown and described.

**DESCRIPTION**

FIG. 1 is a front perspective view of an electronic housing showing our new design;  
FIG. 2 is a top view thereof;  
FIG. 3 is a bottom view thereof;  
FIG. 4 is a front view thereof;  
FIG. 5 is a rear view thereof;  
FIG. 6 is a left side view thereof; and,  
FIG. 7 is a right side view thereof.  
The broken line showings of elements in FIGS. 1-7 are for illustrative purposes only and form no part of the claimed design.

**1 Claim, 5 Drawing Sheets**



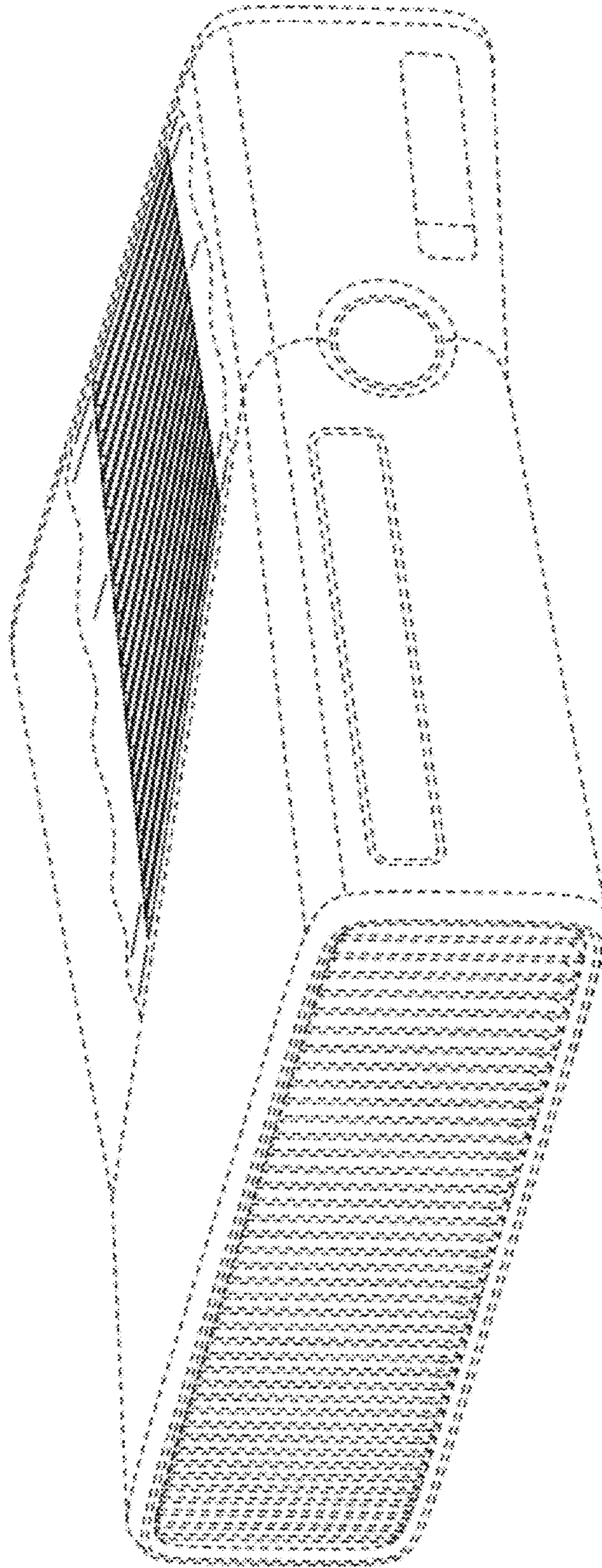


FIG. 1

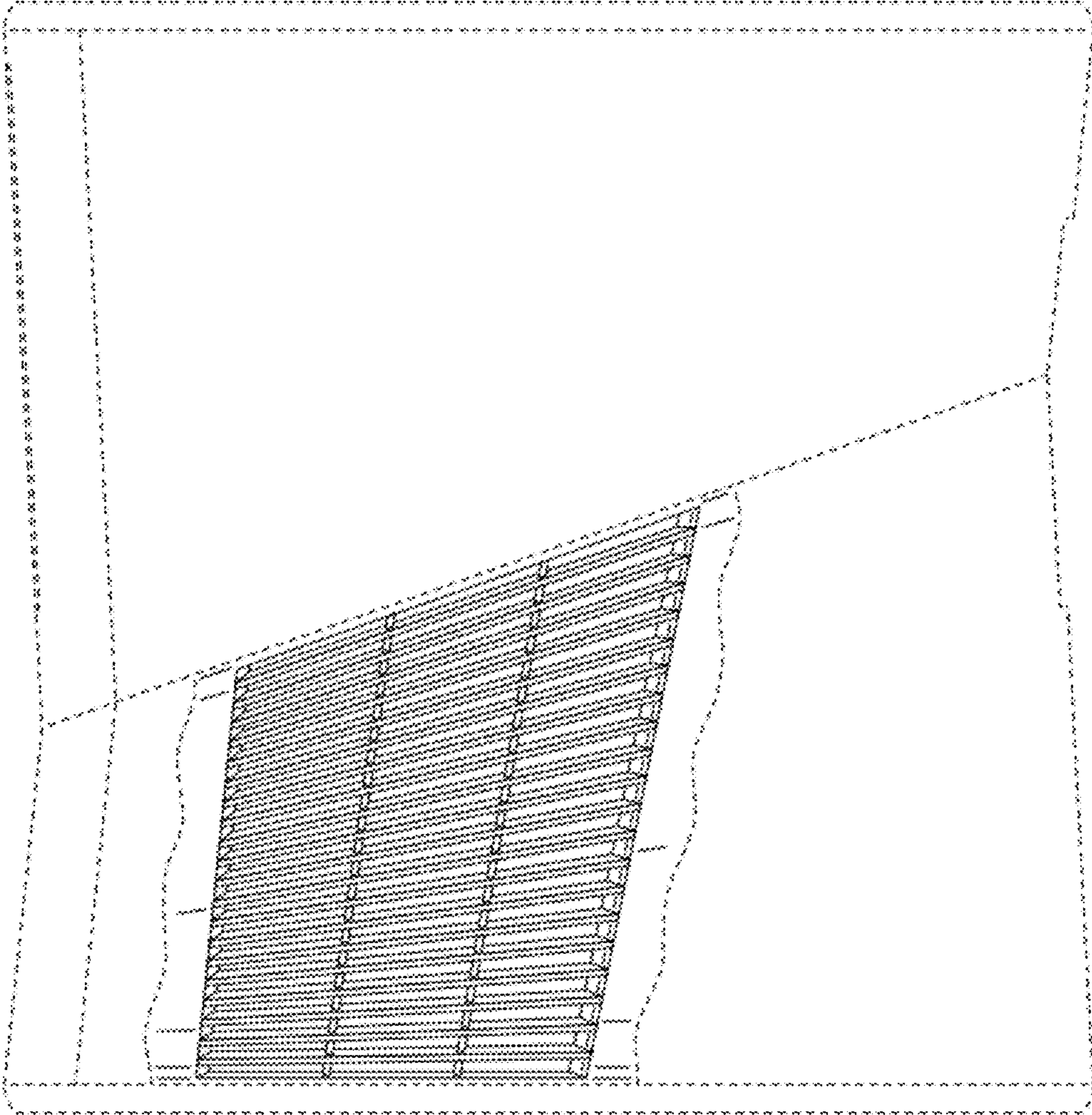


FIG. 2

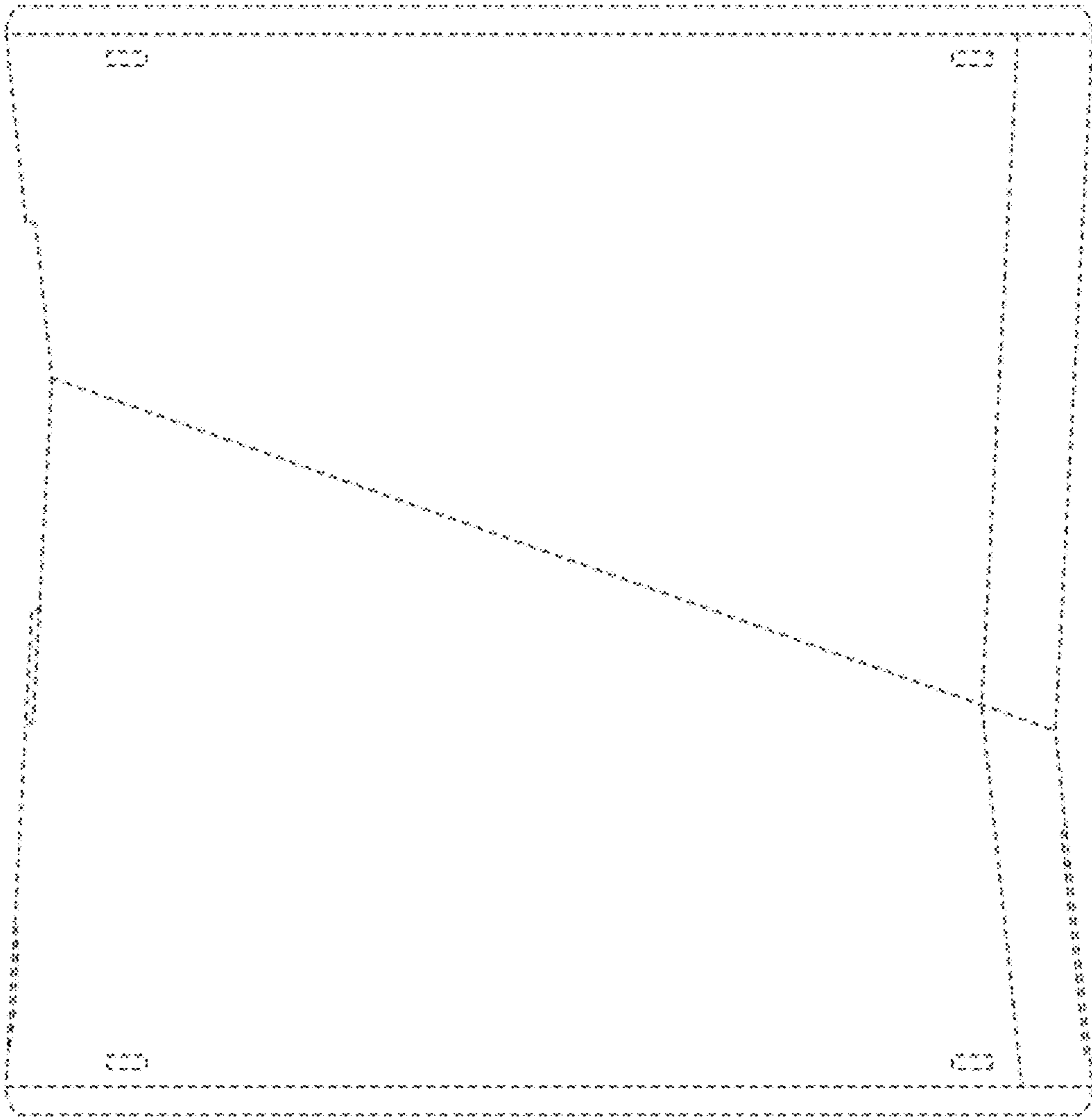


FIG. 3

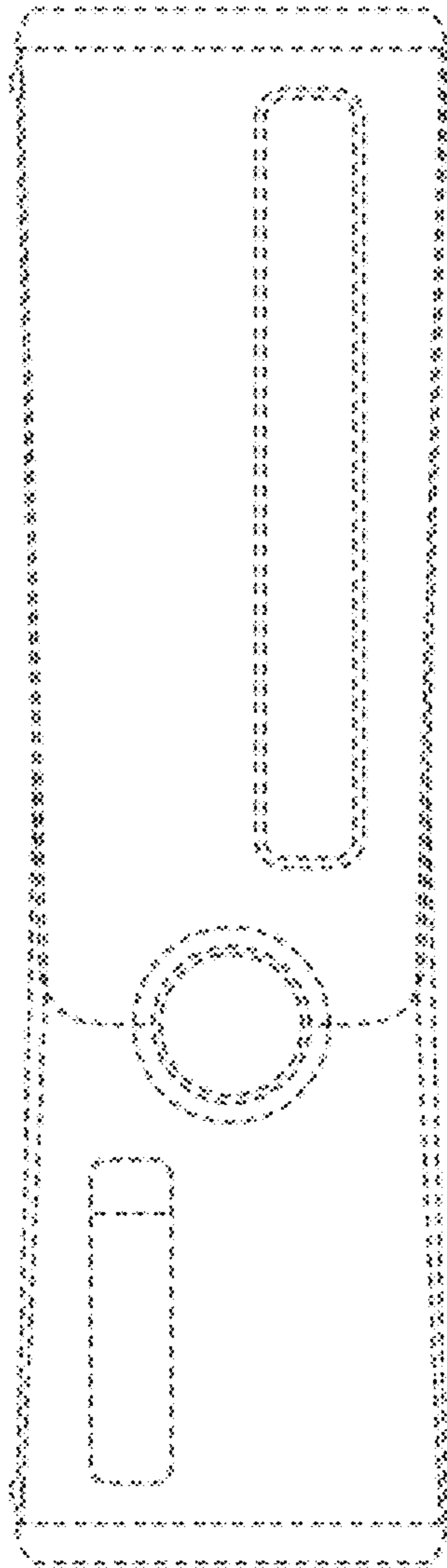


FIG. 4

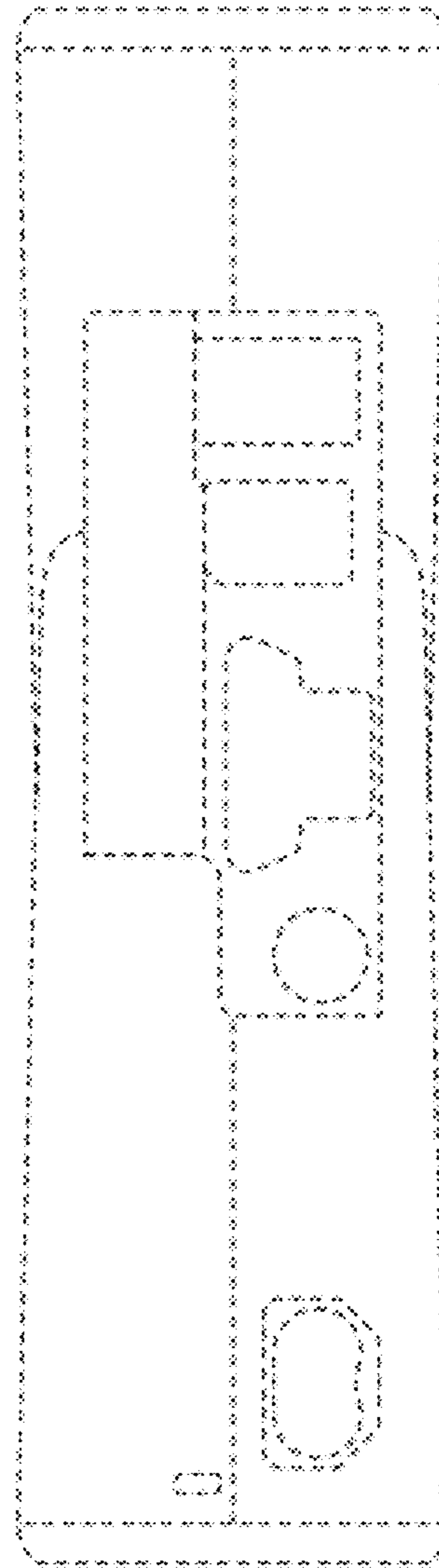


FIG. 5

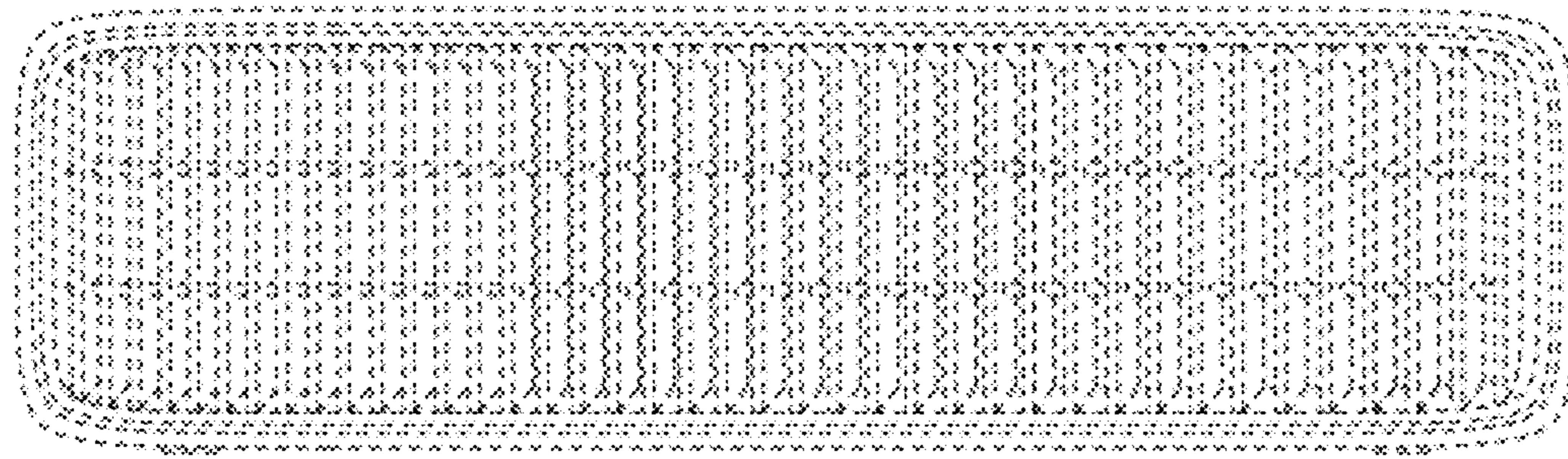


FIG. 6

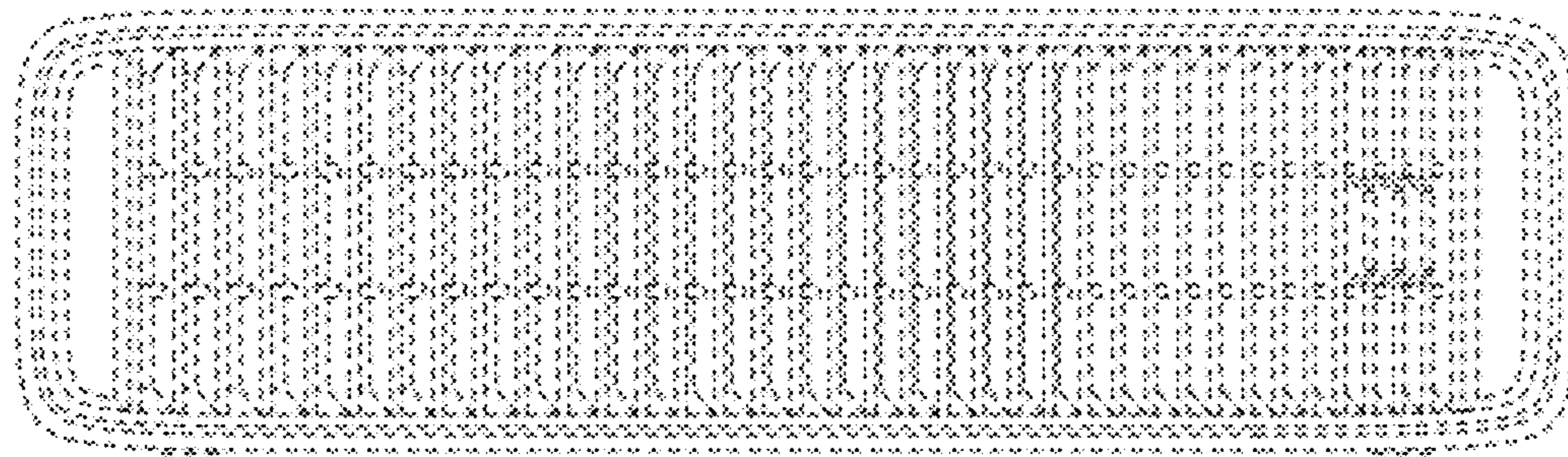


FIG. 7