



US00D657787S

(12) **United States Design Patent**
Fletcher et al.

(10) **Patent No.:** **US D657,787 S**
(45) **Date of Patent:** **** Apr. 17, 2012**

(54) **INTERACTIVE INPUT SYSTEM**

(75) Inventors: **Mark Andrew Fletcher**, Nepean (CA);
Alan Peter Boykiw, Calgary (CA);
Cheng Guo, Calgary (CA); **Paul**
Anthony Auger, Osgoode (CA)

(73) Assignee: **SMART Technologies ULC**, Calgary,
Alberta (CA)

(**) Term: **14 Years**

(21) Appl. No.: **29/363,312**

(22) Filed: **Jun. 8, 2010**

(51) **LOC (9) Cl.** **14-02**

(52) **U.S. Cl.** **D14/336; D14/300; D14/371**

(58) **Field of Classification Search** D14/371-376,
D14/125-129, 336, 337, 300, 356, 405, 408,
D14/411, 413; D19/36, 51, 52, 59-62; D20/10,
D20/40; 40/594; 250/221; 178/18.01, 18.04,
178/18.07, 18.09, 18.11, 19.01; 345/104,
345/156, 163, 173, 175, 179; 341/12; 348/180,
348/184, 325, 739; 349/1, 2; 434/408, 419
See application file for complete search history.

(56) **References Cited**

U.S. PATENT DOCUMENTS

5,163,845	A *	11/1992	Blassingame	434/408
D339,379	S *	9/1993	Persing	D19/52
D359,479	S *	6/1995	Jondrow et al.	D14/407
5,461,204	A *	10/1995	Makinwa et al.	178/19.03
5,501,603	A *	3/1996	Mueller et al.	434/419
5,658,635	A *	8/1997	Davis et al.	428/81
D385,263	S *	10/1997	Taylor	D14/407
D417,206	S *	11/1999	Hirota	D14/411
D424,538	S *	5/2000	Hayashi et al.	D14/374
D438,258	S *	2/2001	Itoh et al.	D20/10
6,241,528	B1 *	6/2001	Myers	434/408
D463,493	S *	9/2002	Beno	D19/52
D464,653	S *	10/2002	Nagai et al.	D14/411
7,377,709	B2 *	5/2008	Butler	401/195
D575,248	S *	8/2008	Fujii et al.	D14/126
D591,749	S *	5/2009	Huang et al.	D14/407
D594,062	S *	6/2009	Loerakker	D19/52
D595,718	S *	7/2009	Richter et al.	D14/411

D613,742	S *	4/2010	Avery et al.	D14/411
2005/0001824	A1 *	1/2005	Yoshimura	345/179
2005/0030298	A1 *	2/2005	Philis	345/179
2005/0162382	A1 *	7/2005	Choi et al.	345/156
2006/0097989	A1 *	5/2006	Ho	345/173
2007/0274765	A1 *	11/2007	Brand et al.	401/108

* cited by examiner

Primary Examiner — Freda S Nunn

(74) *Attorney, Agent, or Firm* — Katten Muchin Rosenman
LLP

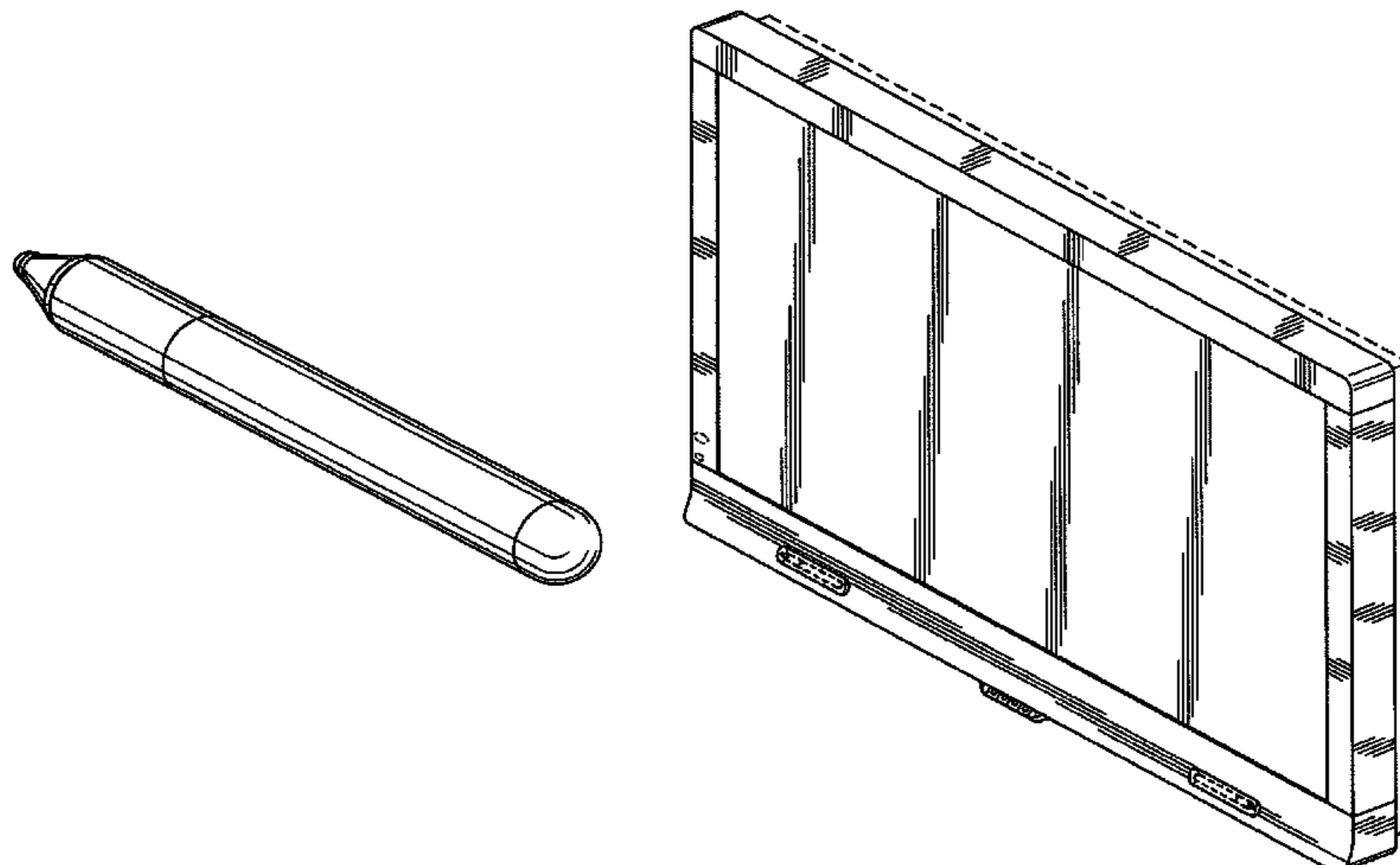
(57) **CLAIM**

The ornamental design for an interactive input system, as
shown and described.

DESCRIPTION

FIG. 1 is a rear perspective view of a stylus of the interactive
input system shown separately for clarity of illustration only;
FIG. 2 is a side view thereof;
FIG. 3 is a front view thereof;
FIG. 4 is a rear view thereof;
FIG. 5 is a rear perspective view of an input device of the
interactive input system shown separately for clarity of illus-
tration only;
FIG. 6 is a top view thereof;
FIG. 7 is an end view thereof;
FIG. 8 is a first side view thereof;
FIG. 9 is a second side view thereof;
FIG. 10 is a bottom view thereof;
FIG. 11 is a front perspective view of a monitor of the inter-
active input system shown separately for clarity of illustration
only;
FIG. 12 is a rear view thereof;
FIG. 13 is a first side view thereof;
FIG. 14 is a second side view thereof;
FIG. 15 is a front view thereof;
FIG. 16 is a top view thereof; and,
FIG. 17 is a bottom view thereof.
Broken lines shown in the drawings illustrate portions of the
interactive input system, and form no part of the claimed
design.

1 Claim, 8 Drawing Sheets



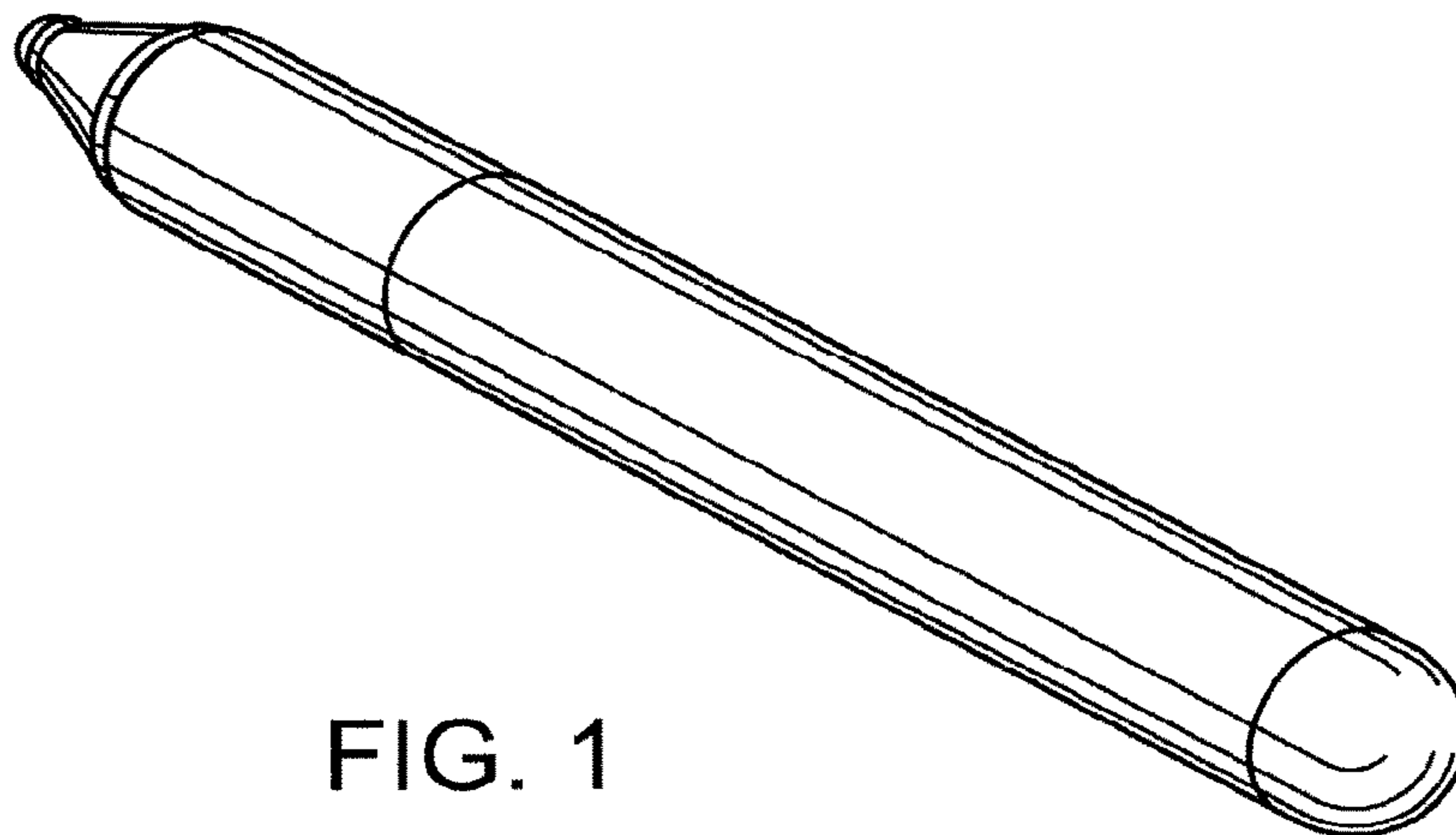


FIG. 1

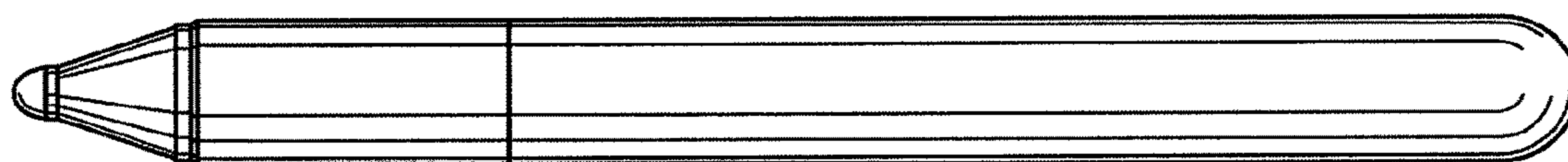


FIG. 2



FIG. 3



FIG. 4

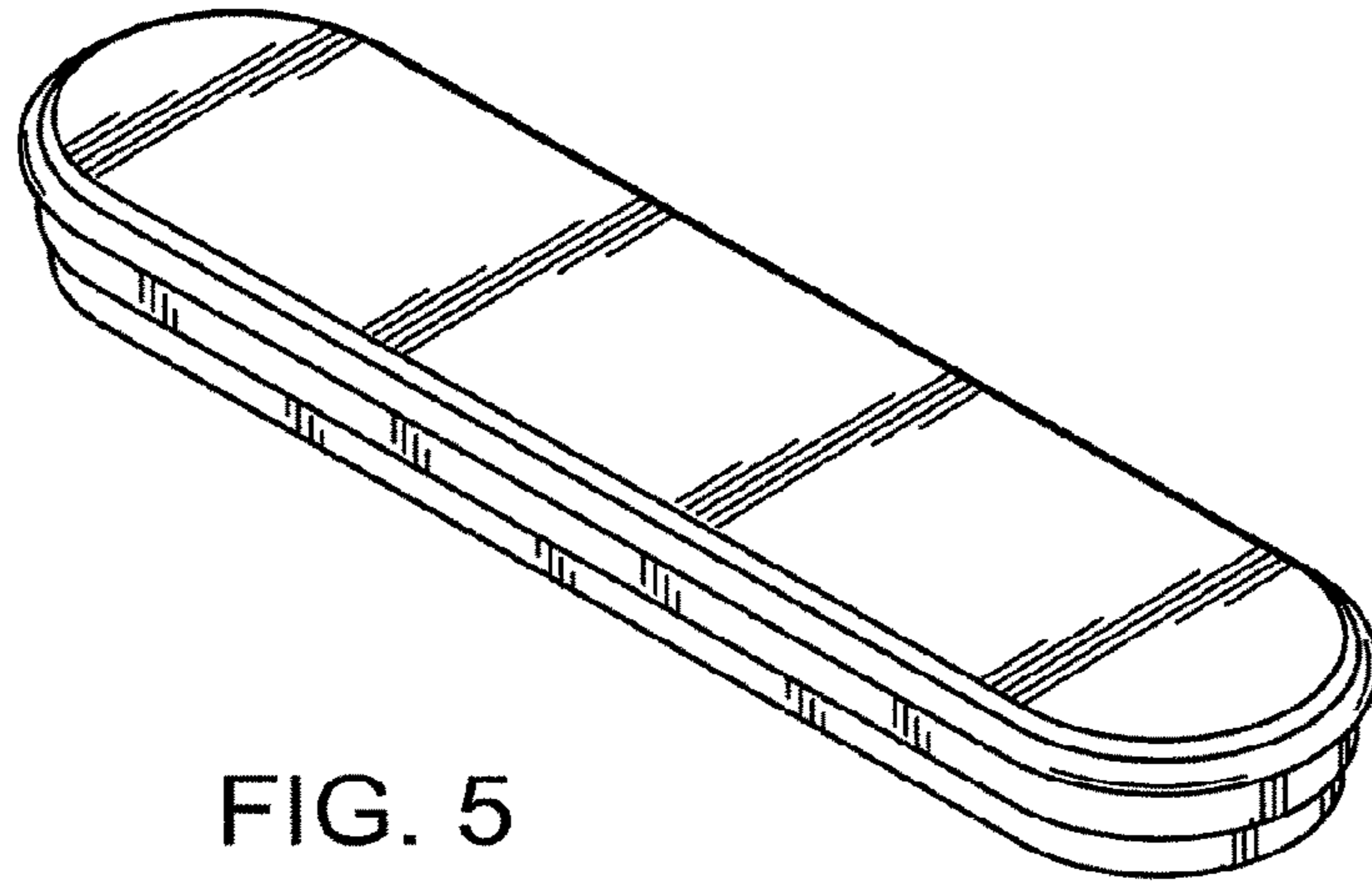


FIG. 5

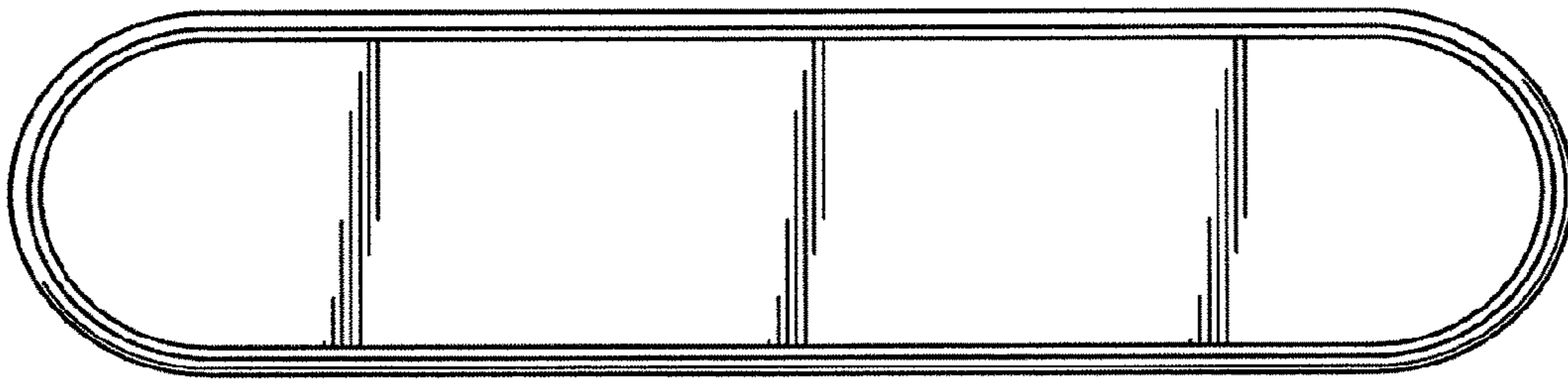


FIG. 6

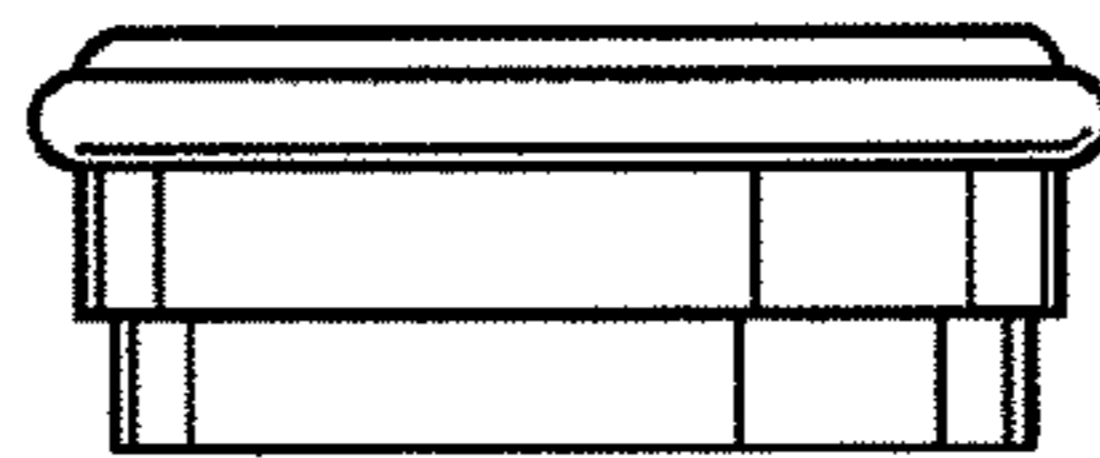


FIG. 7

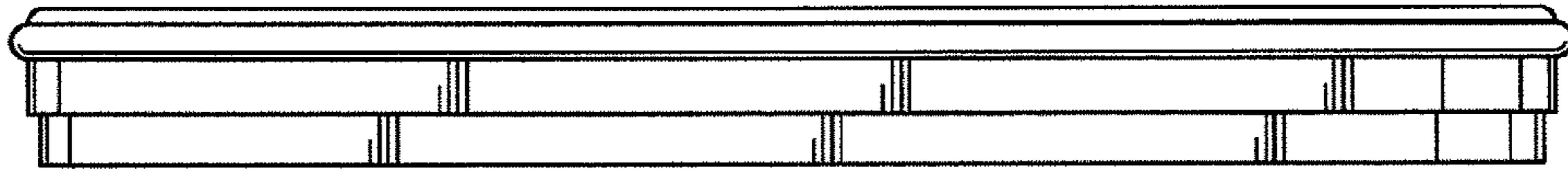


FIG. 8

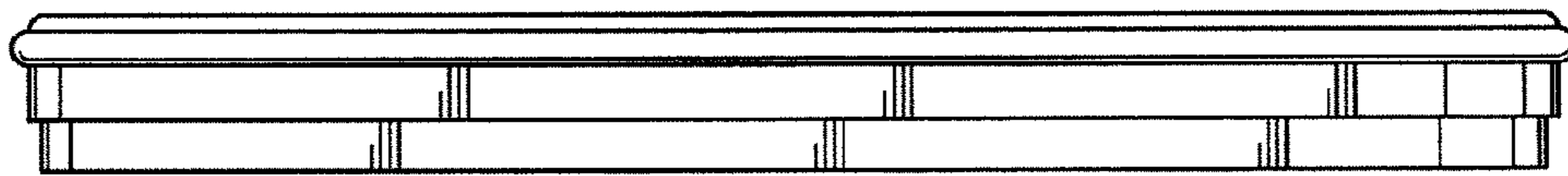


FIG. 9

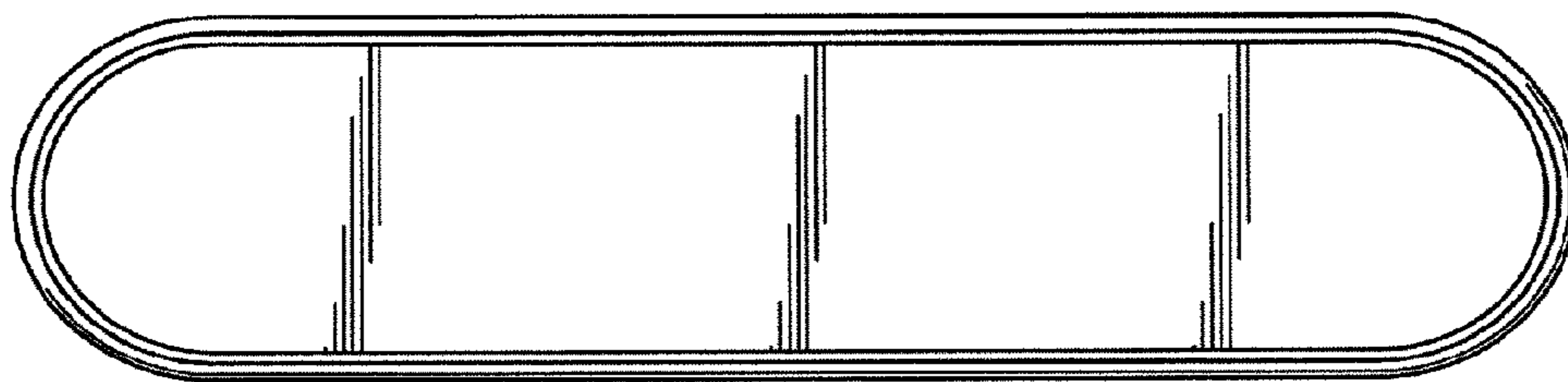


FIG. 10

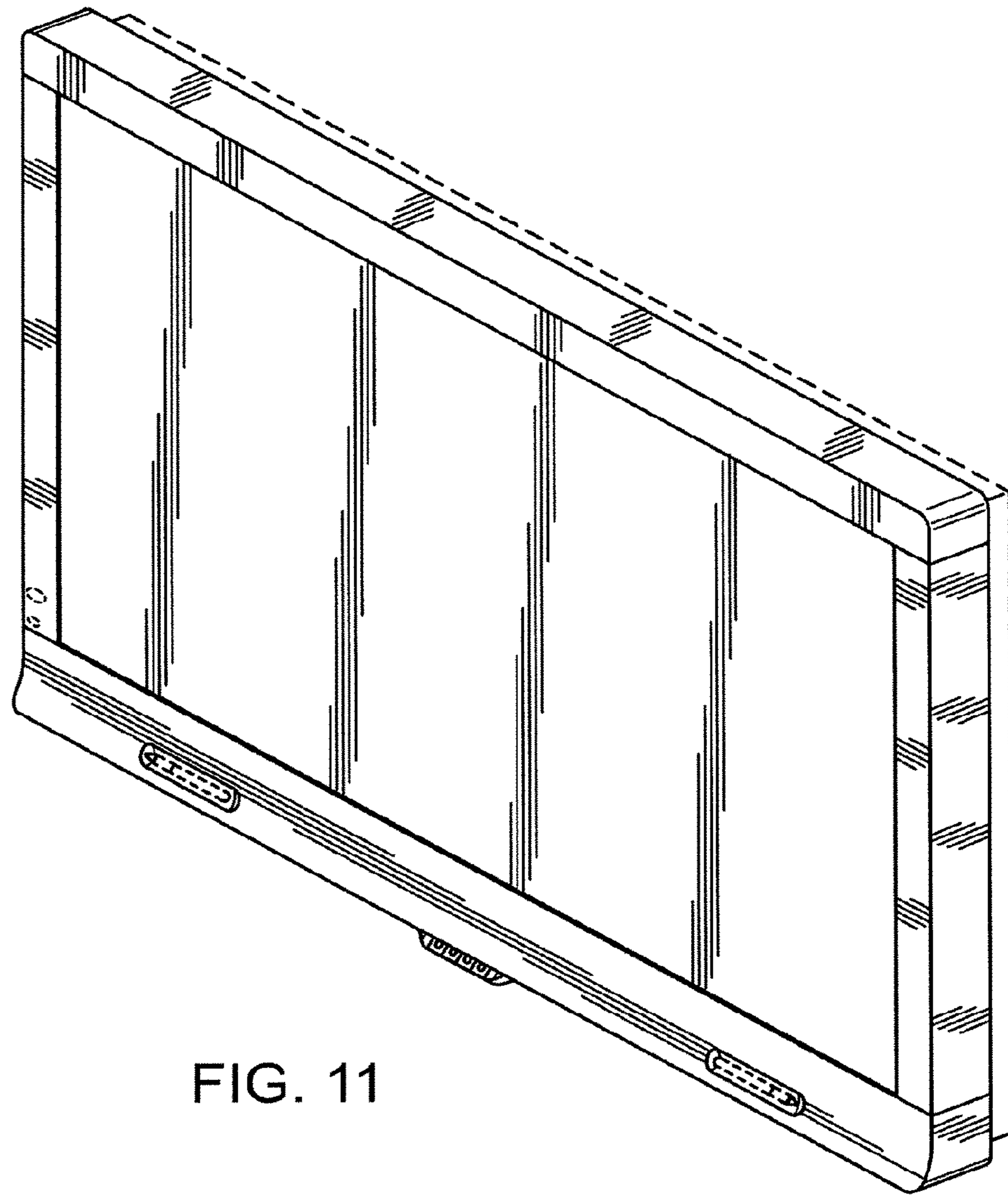


FIG. 11

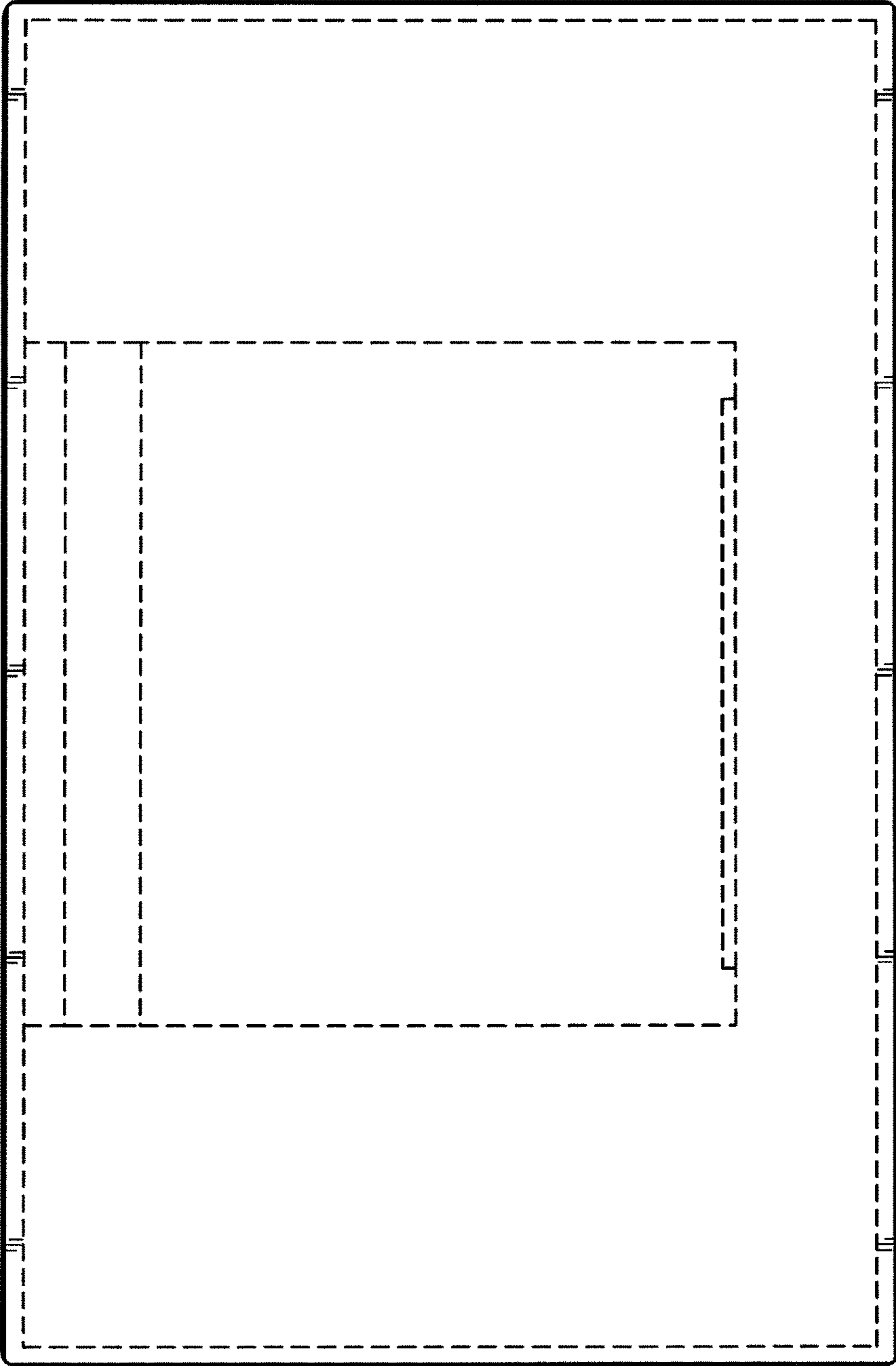


FIG. 12

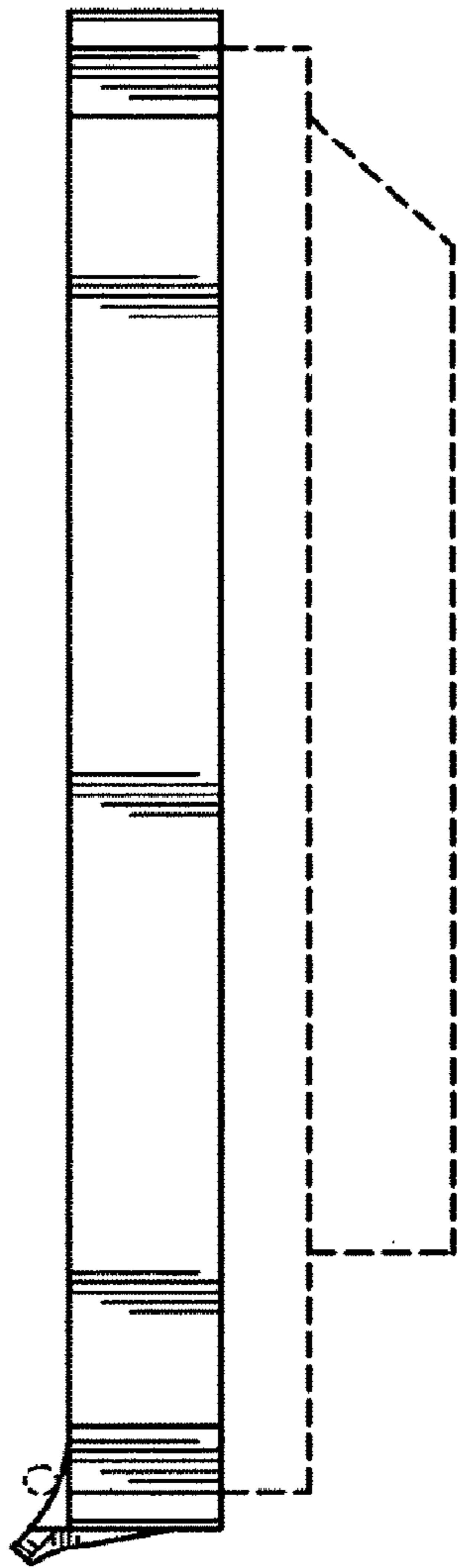


FIG. 13

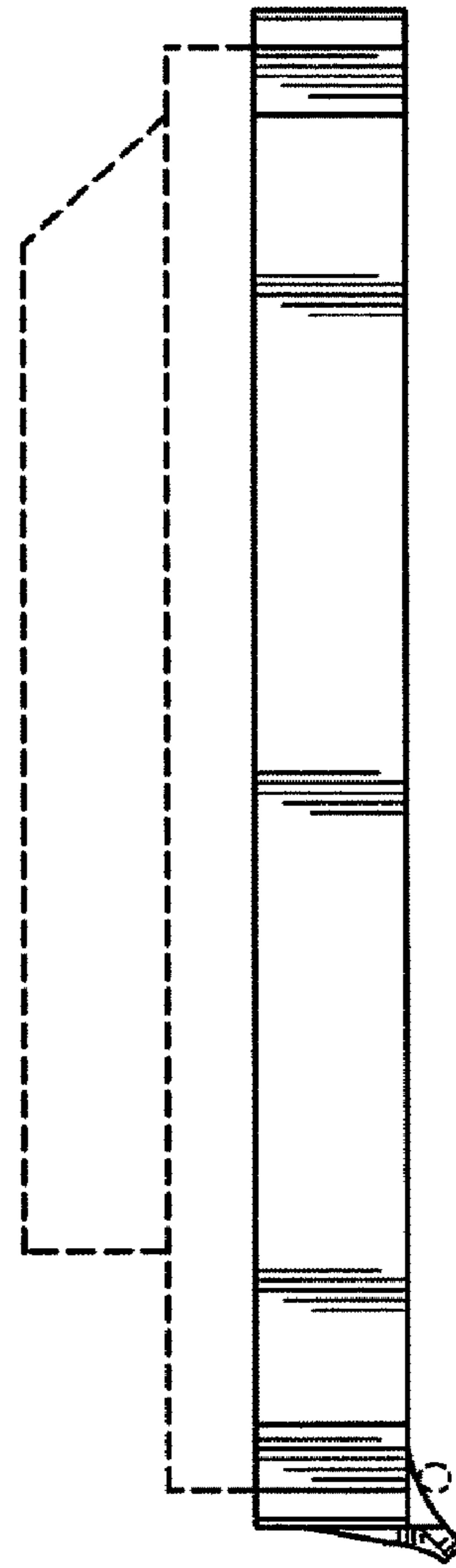


FIG. 14

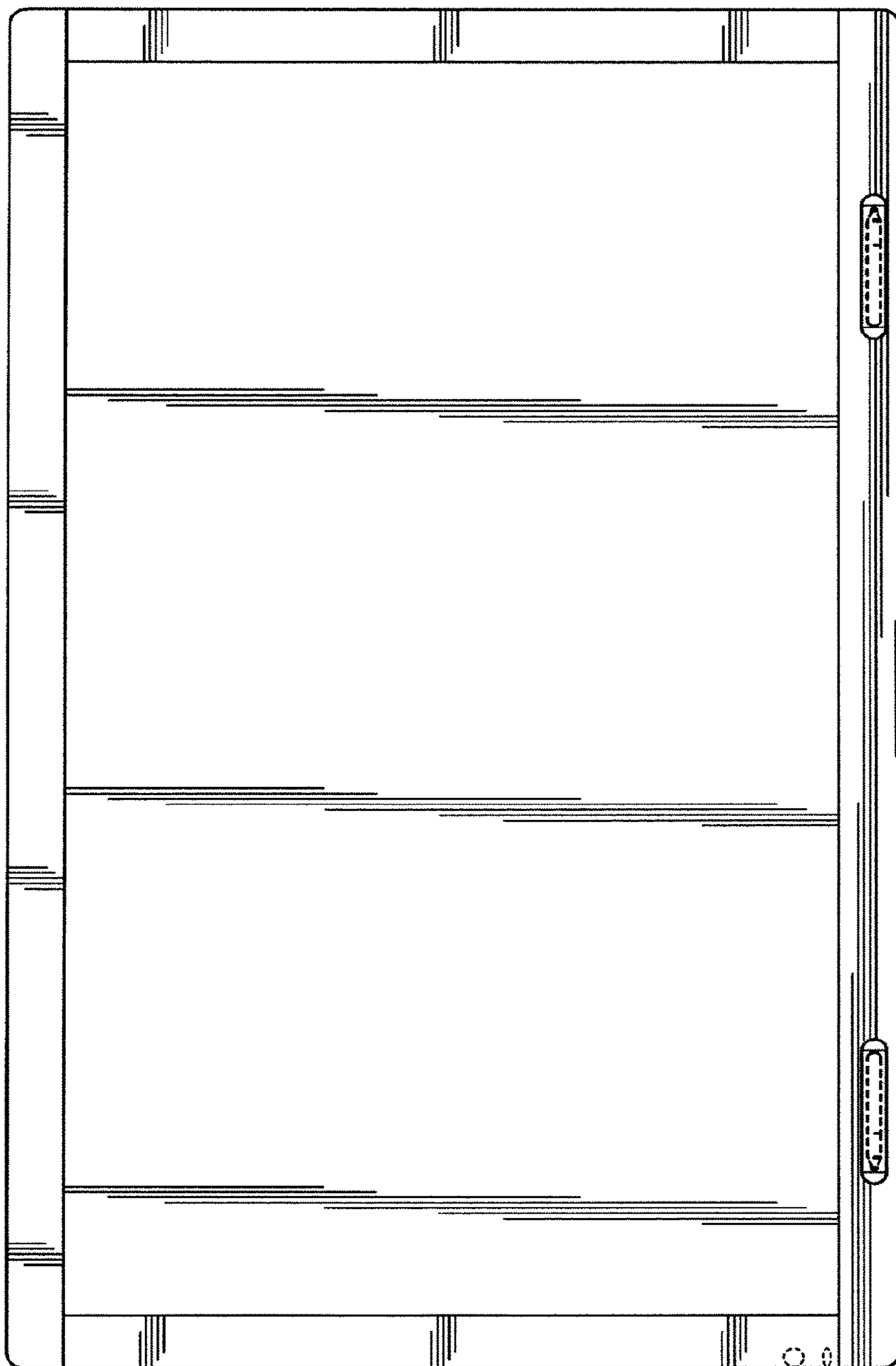


FIG. 15

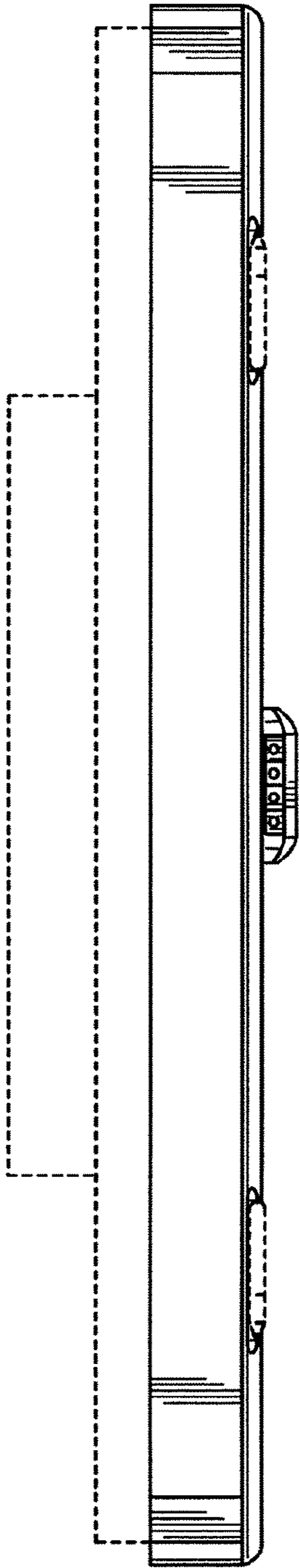


FIG. 16

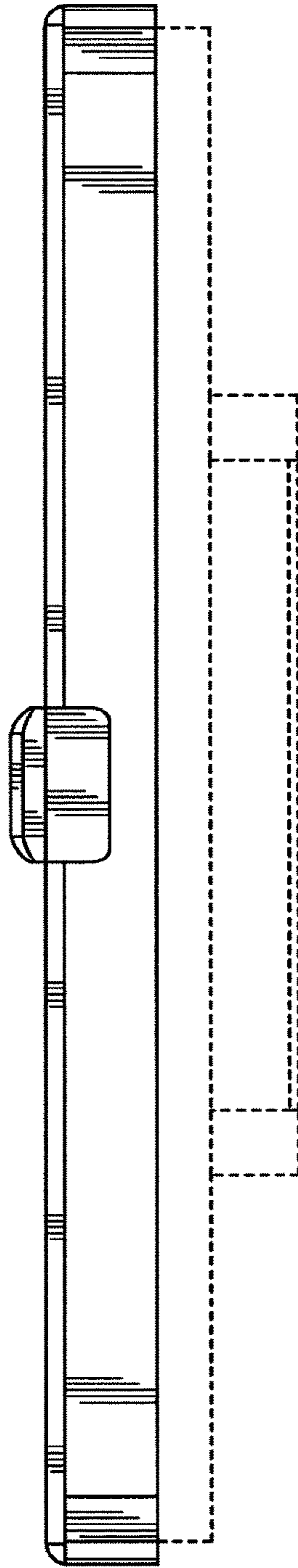


FIG. 17