



US00D657784S

(12) **United States Design Patent**
Akana et al.

(10) **Patent No.:** **US D657,784 S**
(45) **Date of Patent:** **** Apr. 17, 2012**

(54) **ELECTRONIC DEVICE**

(75) Inventors: **Jody Akana**, San Francisco, CA (US);
Bartley K. Andre, Menlo Park, CA (US);
Jeremy Bataillou, San Francisco, CA (US);
Daniel J. Coster, San Francisco, CA (US);
Daniele De Iuliis, San Francisco, CA (US);
Evans Hankey, San Francisco, CA (US);
Richard P. Howarth, San Francisco, CA (US);
Jonathan P. Ive, San Francisco, CA (US);
Duncan Robert Kerr, San Francisco, CA (US);
Shin Nishibori, Portola Valley, CA (US);
Matthew Dean Rohrbach, San Francisco, CA (US);
Peter Russell-Clarke, San Francisco, CA (US);
Christopher J. Stringer, Woodside, CA (US);
Eugene Antony Whang, San Francisco, CA (US);
Rico Zorkendorfer, San Francisco, CA (US)

(73) Assignee: **Apple Inc.**, Cupertino, CA (US)

(**) Term: **14 Years**

(21) Appl. No.: **29/363,840**

(22) Filed: **Jun. 15, 2010**

(51) **LOC (9) Cl.** **14-02**

(52) **U.S. Cl.** **D14/314**

(58) **Field of Classification Search** D14/314,
D14/348, 363-369, 353-356, 125, 496; D13/162,
D13/184, 199; 312/223.1-223.3; 360/99.01-99.12;
369/34.01, 36.01; 361/679.01

See application file for complete search history.

(56) **References Cited**

U.S. PATENT DOCUMENTS

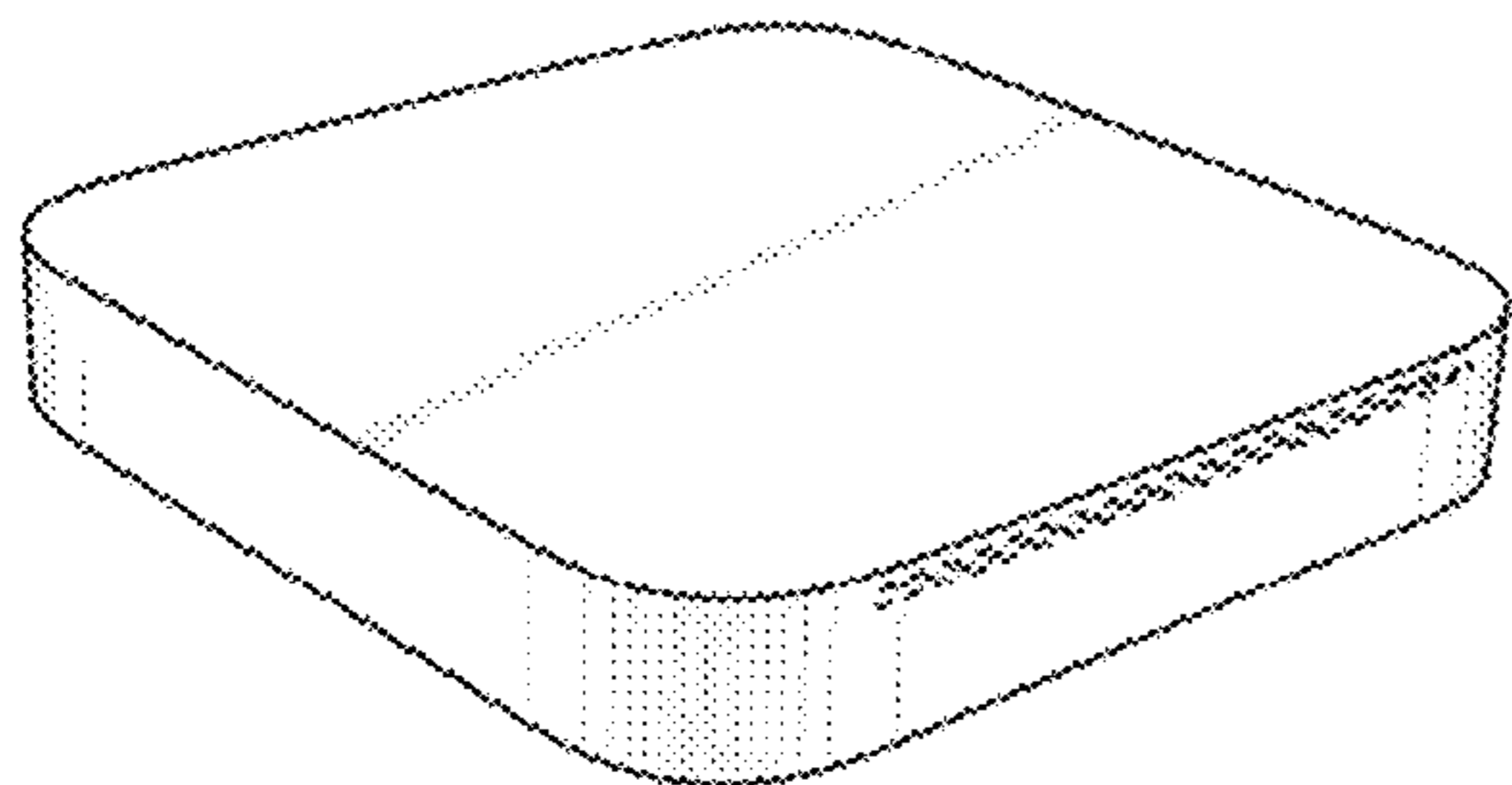
D297,007 S	8/1988	Pushelberg
D373,117 S	8/1996	Barthelemy et al.
D390,220 S	2/1998	Matsuoka
D426,831 S	6/2000	Hu
D435,845 S	1/2001	Piersol
D461,187 S	8/2002	Andre et al.

(Continued)

FOREIGN PATENT DOCUMENTS

JP 1241895 6/2005

(Continued)



OTHER PUBLICATIONS

Eyegonomic, Eyegonomic Eyebow, www.prweb.com, available at least as early as Mar. 10, 2004.

(Continued)

Primary Examiner — Freda S Nunn

(74) *Attorney, Agent, or Firm* — SAIDMAN DesignLaw Group

(57) **CLAIM**

The ornamental design for an electronic device, as shown and described.

DESCRIPTION

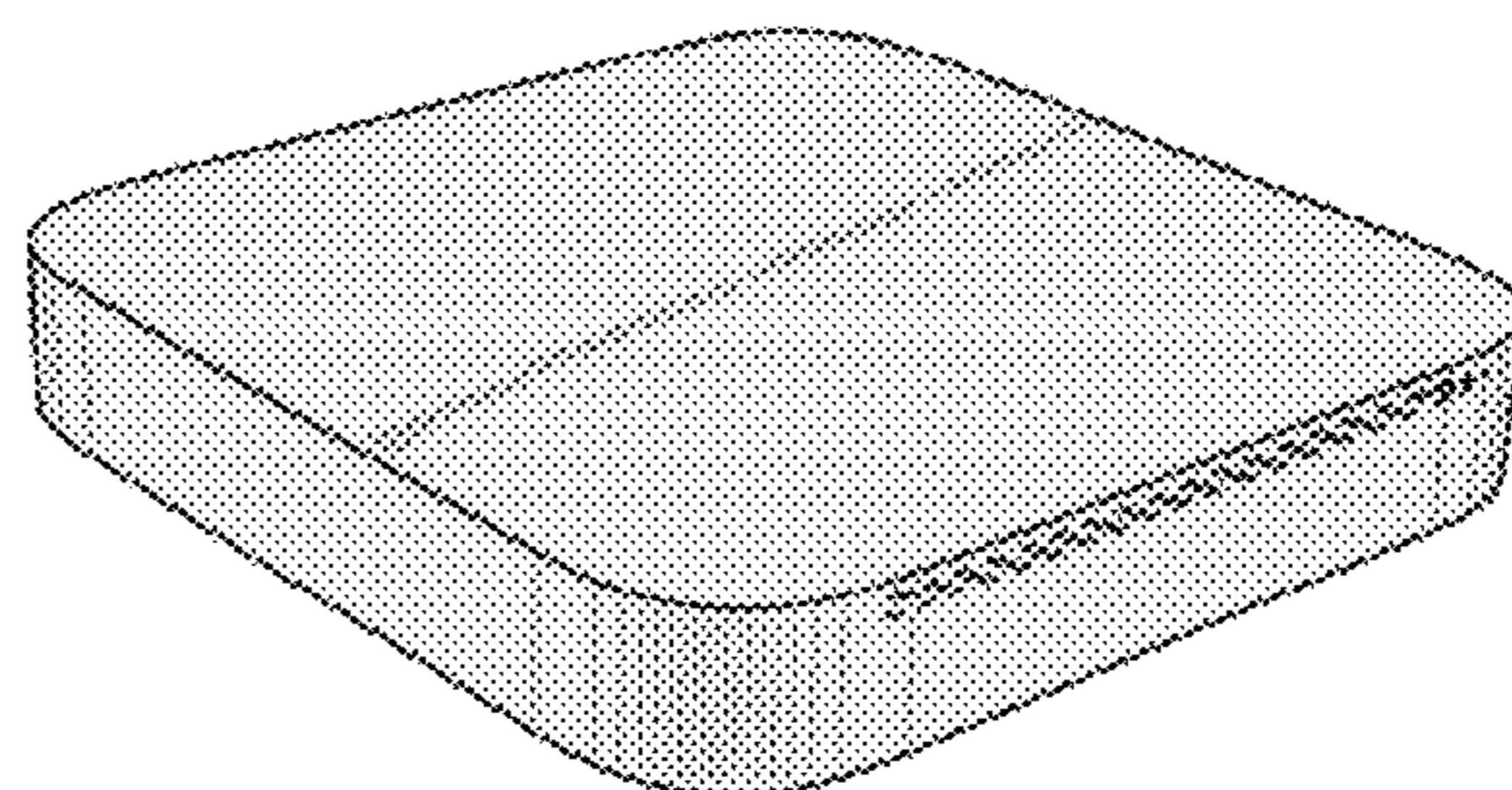
FIG. 1 is a top, front perspective view of a first embodiment of an electronic device showing our new design; FIG. 2 is a top, rear perspective view thereof; FIG. 3 is a bottom, front perspective view thereof; FIG. 4 is a bottom, rear perspective view thereof; FIG. 5 is a front view thereof; FIG. 6 is a rear view thereof; FIG. 7 is a left side view thereof; FIG. 8 is a right side view thereof; FIG. 9 is a top view thereof; FIG. 10 is a bottom view thereof; FIG. 11 is a top, front perspective view of a second embodiment thereof; FIG. 12 is a top, rear perspective view thereof; FIG. 13 is a bottom, front perspective view thereof; FIG. 14 is a bottom, rear perspective view thereof; FIG. 15 is a front view thereof; FIG. 16 is a rear view thereof; FIG. 17 is a left side view thereof; FIG. 18 is a right side view thereof; FIG. 19 is a top view thereof; and, FIG. 20 is a bottom view thereof.

The dashed broken lines are for the purpose of illustrating portions of the electronic device and form no part of the claimed design.

The relatively light gray shade lines on the surface portions of FIGS. 1-10, and the relatively thin black shade lines on the surface portions of FIGS. 11-20 indicate contour and not surface decoration.

The gray shading on a portion of the electronic device in FIGS. 11-20 represents a metallic surface.

1 Claim, 8 Drawing Sheets



US D657,784 S

Page 2

U.S. PATENT DOCUMENTS

D484,128 S 12/2003 Chung
D491,563 S 6/2004 Sato et al.
D494,579 S 8/2004 Chuang et al.
D508,899 S 8/2005 Suzuki
6,933,928 B1 8/2005 Lilienthal
D520,519 S 5/2006 Chin et al.
D522,531 S 6/2006 Solomon et al.
D526,648 S 8/2006 Andre et al.
D530,717 S * 10/2006 Mori et al. D14/434
D533,177 S 12/2006 Andre et al.
D537,817 S 3/2007 Andre et al.
D540,318 S 4/2007 Wang
D542,288 S 5/2007 Andre et al.
D558,790 S 1/2008 Yu et al.
D563,994 S 3/2008 Liu et al.
D580,933 S 11/2008 Ju et al.
D587,267 S 2/2009 Wang
D590,827 S 4/2009 Song
D594,474 S 6/2009 Hansen et al.
D594,876 S 6/2009 Hwang
D594,877 S 6/2009 Iino et al.
D596,177 S 7/2009 Steele et al.
D596,626 S 7/2009 Andre et al.
D599,753 S 9/2009 Cho et al.
D601,583 S 10/2009 Andre et al.
D601,585 S 10/2009 Andre et al.
D604,729 S 11/2009 Andre et al.
D605,145 S 12/2009 Kellar
D613,283 S 4/2010 Andre et al.

D618,232 S 6/2010 O'Neil et al.
D620,953 S 8/2010 Andre et al.
D621,397 S 8/2010 Andre et al.
2006/0146491 A1 7/2006 Chen
2008/0062636 A1 3/2008 Liu

FOREIGN PATENT DOCUMENTS

JP 1241896 6/2005

OTHER PUBLICATIONS

Eyegonomic, Eyegonomic Eyebox, www.eyegonomic.com/page=205, available at least as early as Feb. 7, 2005.
Green House, Mac Mini, www.green-house.co.jp, Nov. 14, 2005.
Office action dated Apr. 22, 2008 in U.S. Appl. No. 29/266,005 entitled "Media Device".
Office action dated Apr. 23, 2008 in U.S. Appl. No. 29/265,955 entitled "Media Device".
Office action dated Nov. 19, 2008 in U.S. Appl. No. 29/265,955 entitled "Media Device".
Office action dated Nov. 25, 2008 in U.S. Appl. No. 29/266,005 entitled "Media Device".
http://www.amazon.com/gp/product/images/B000CDR8PU/ref=dp_othersviews_3?ie=UTF8&s=electronics&simg=3, first available Apr. 2, 2004.
U.S. Appl. No. 29/368,938 entitled "Electronic Device" filed Aug. 31, 2010.

* cited by examiner

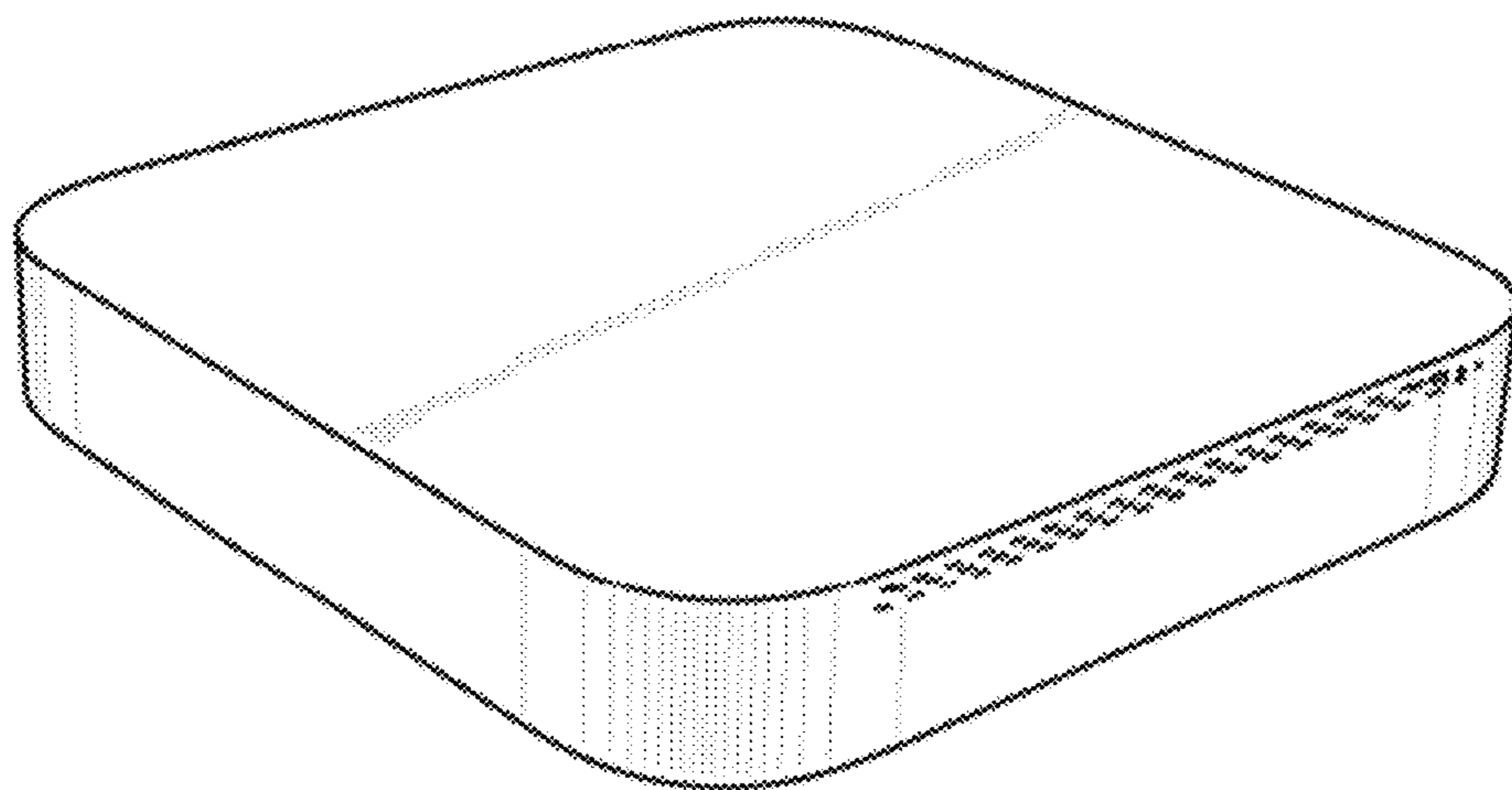


Fig. 1

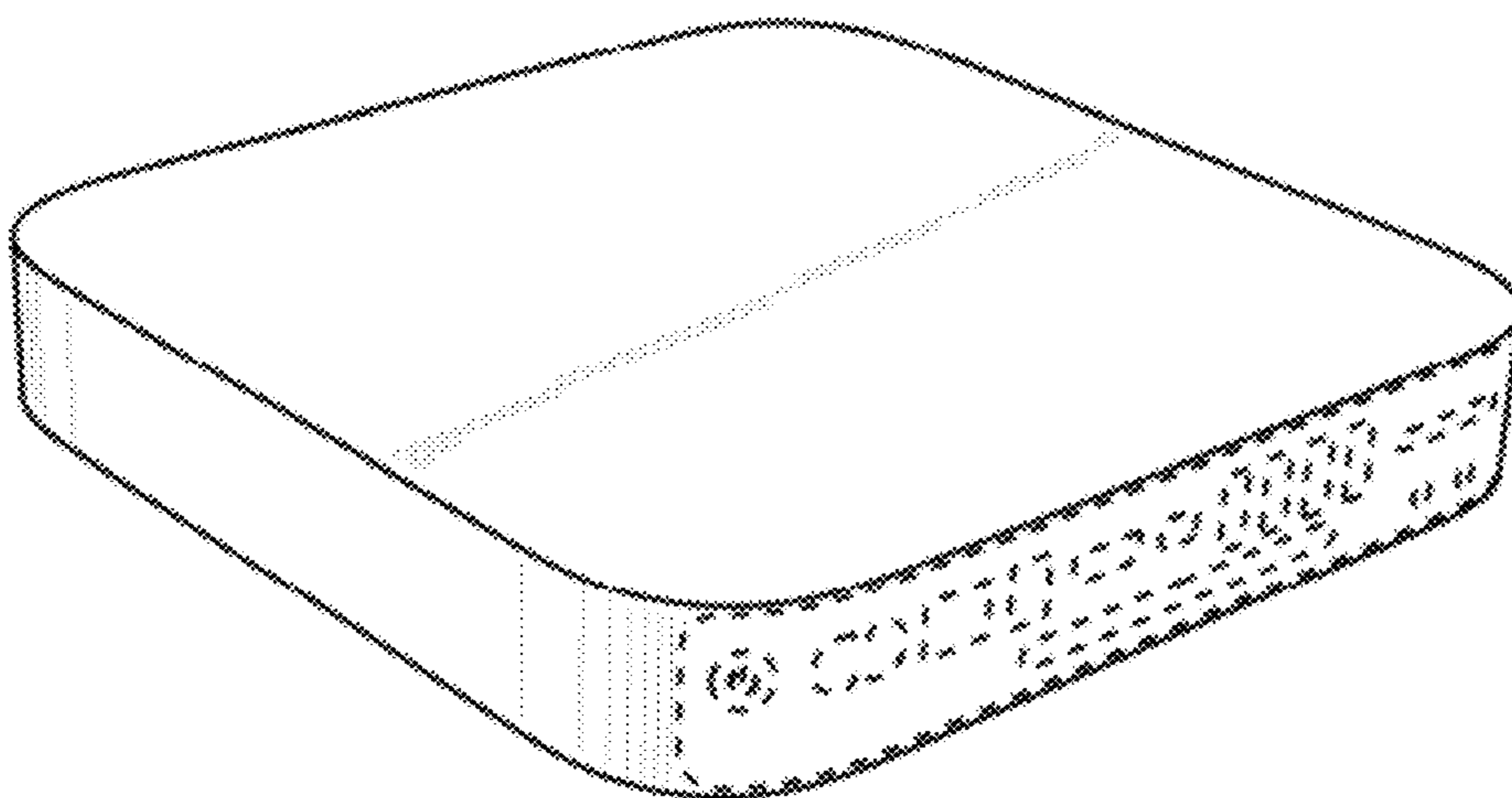


Fig. 2

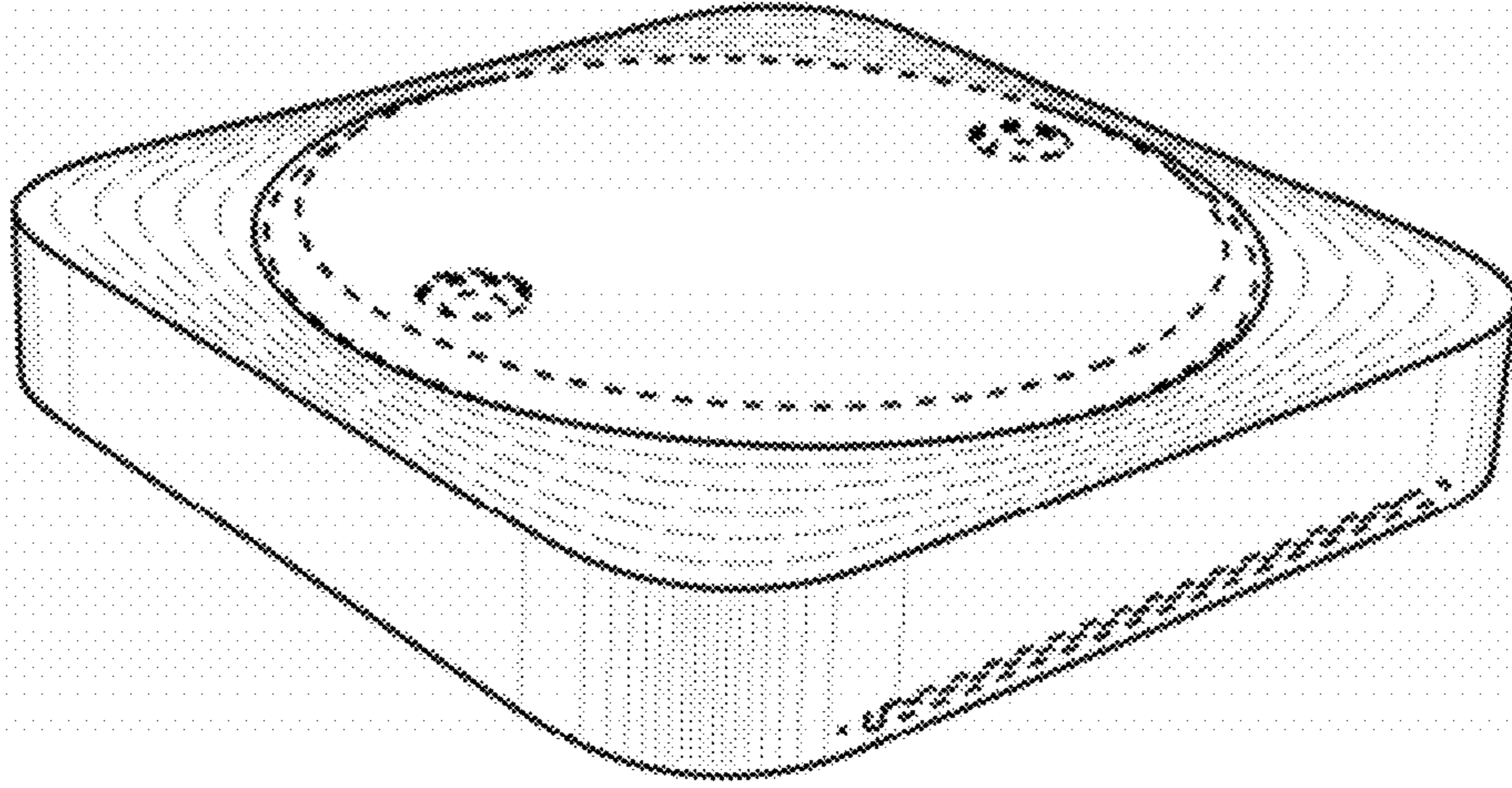


Fig. 3

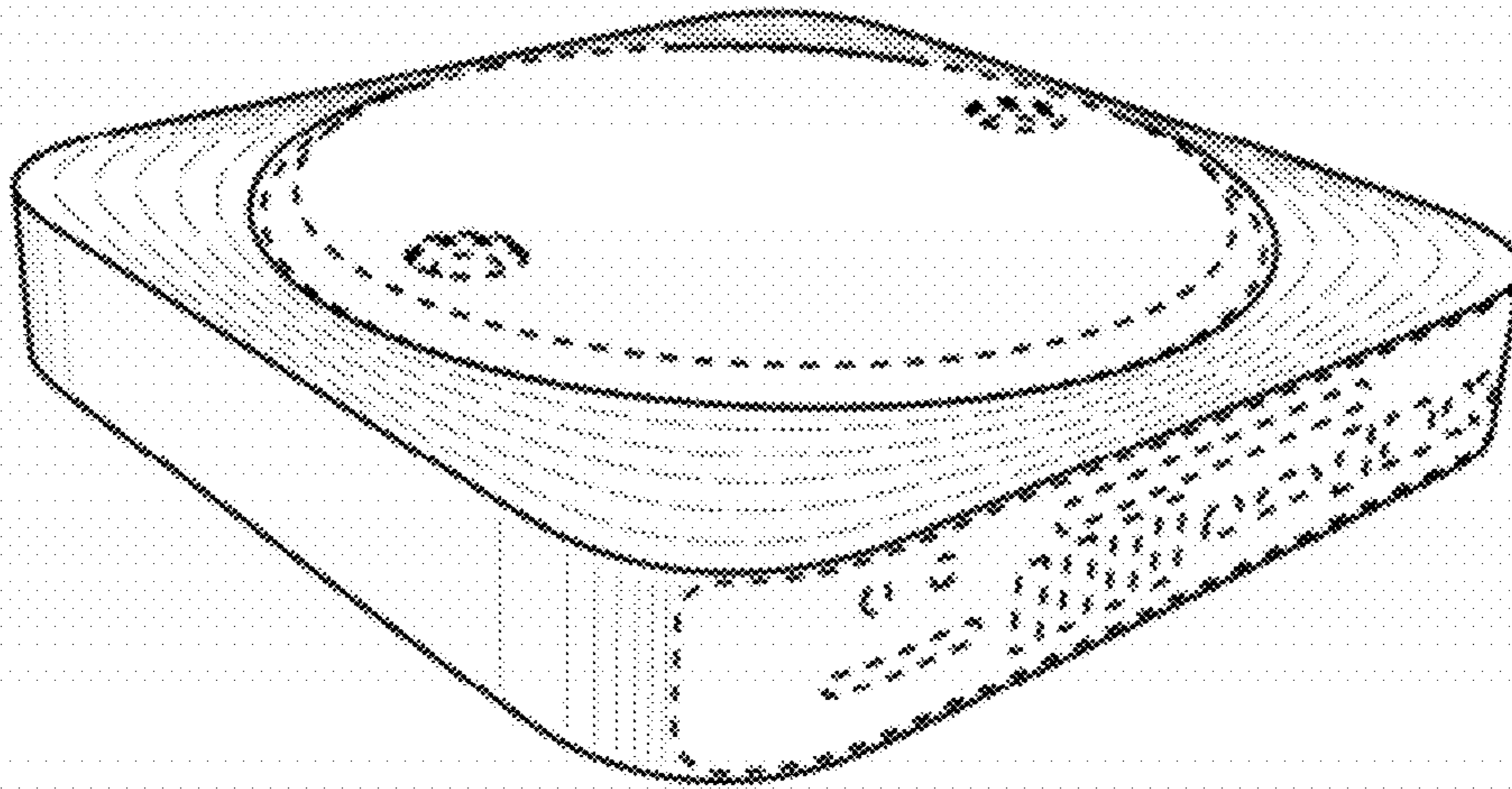


Fig. 4



Fig. 5

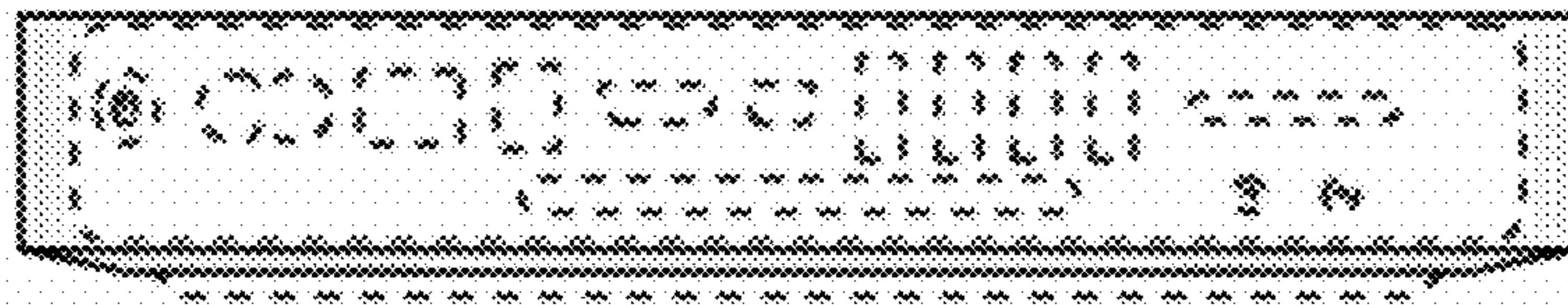


Fig. 6

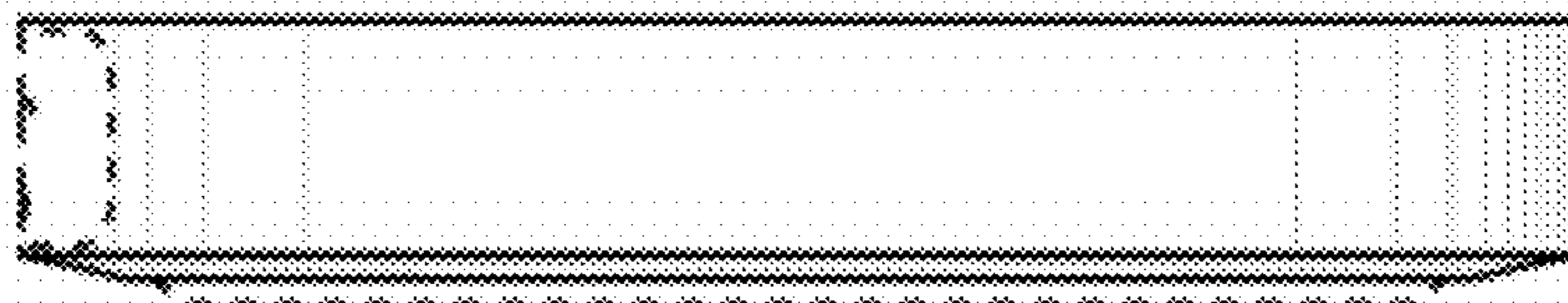


Fig. 7

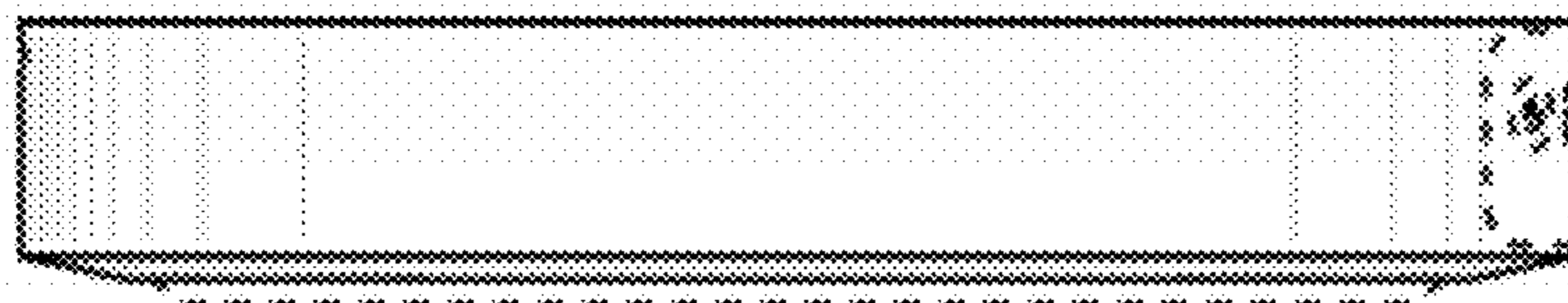


Fig. 8

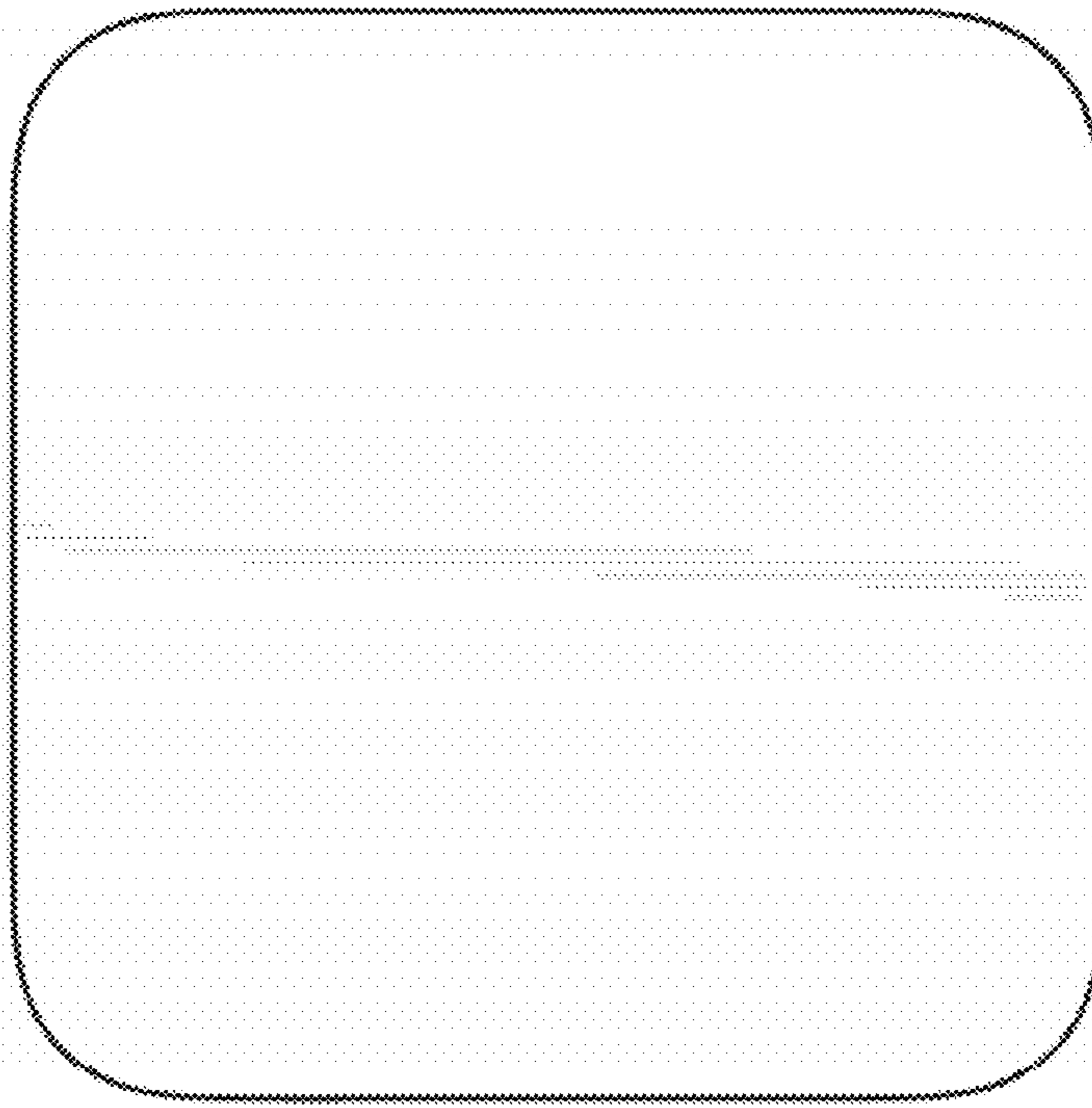


Fig. 9

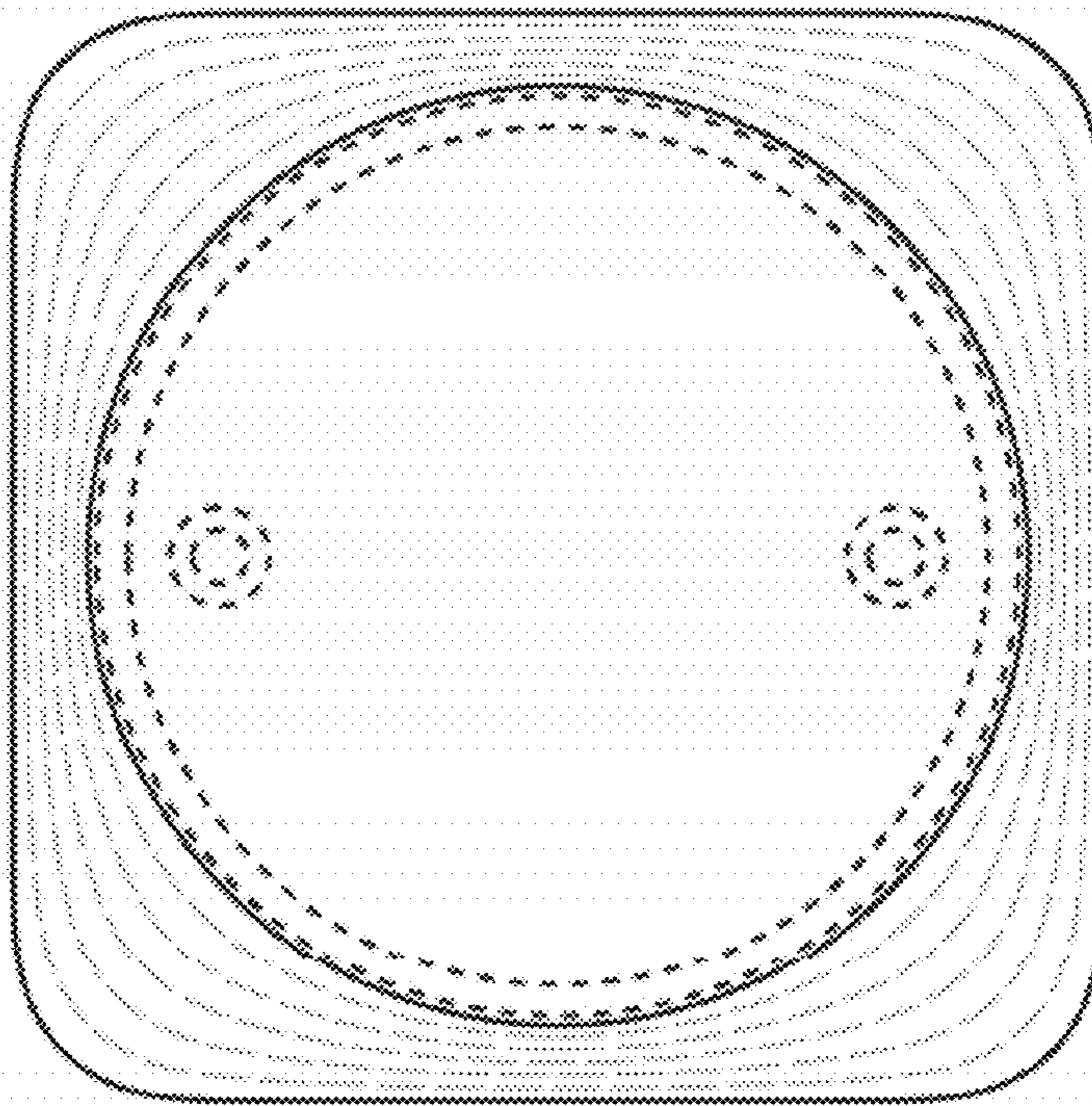


Fig. 10

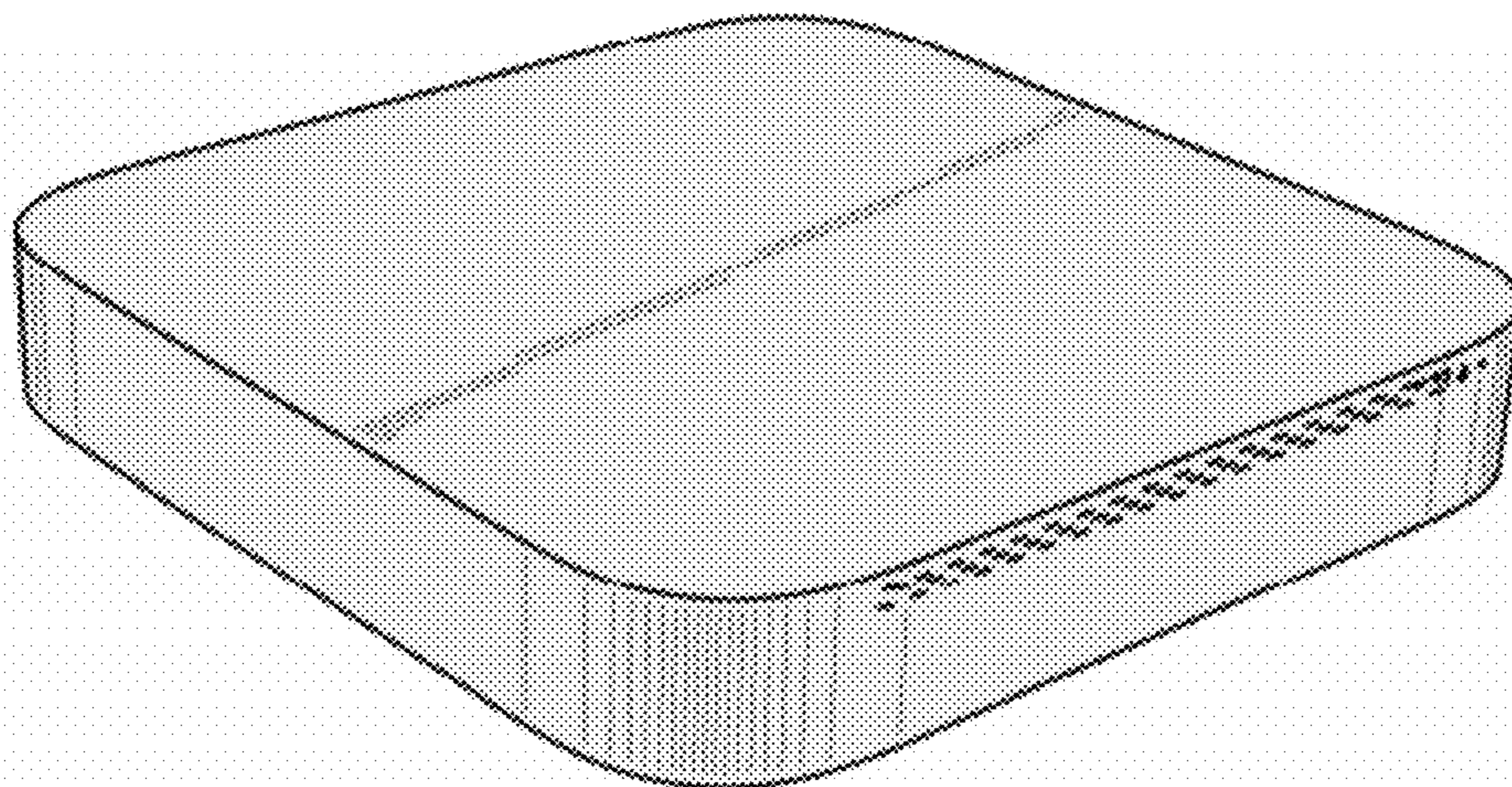


Fig. 11

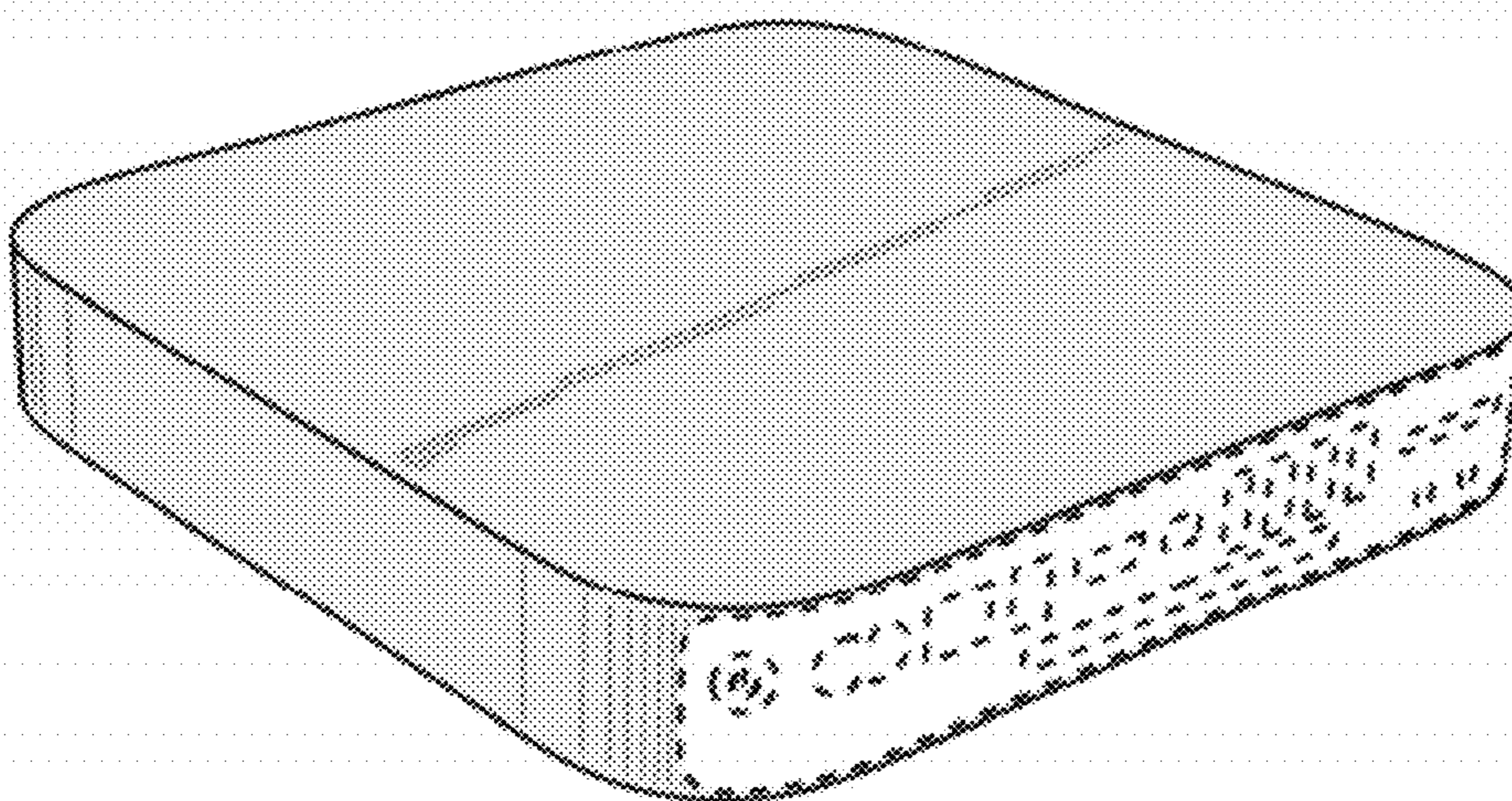


Fig. 12

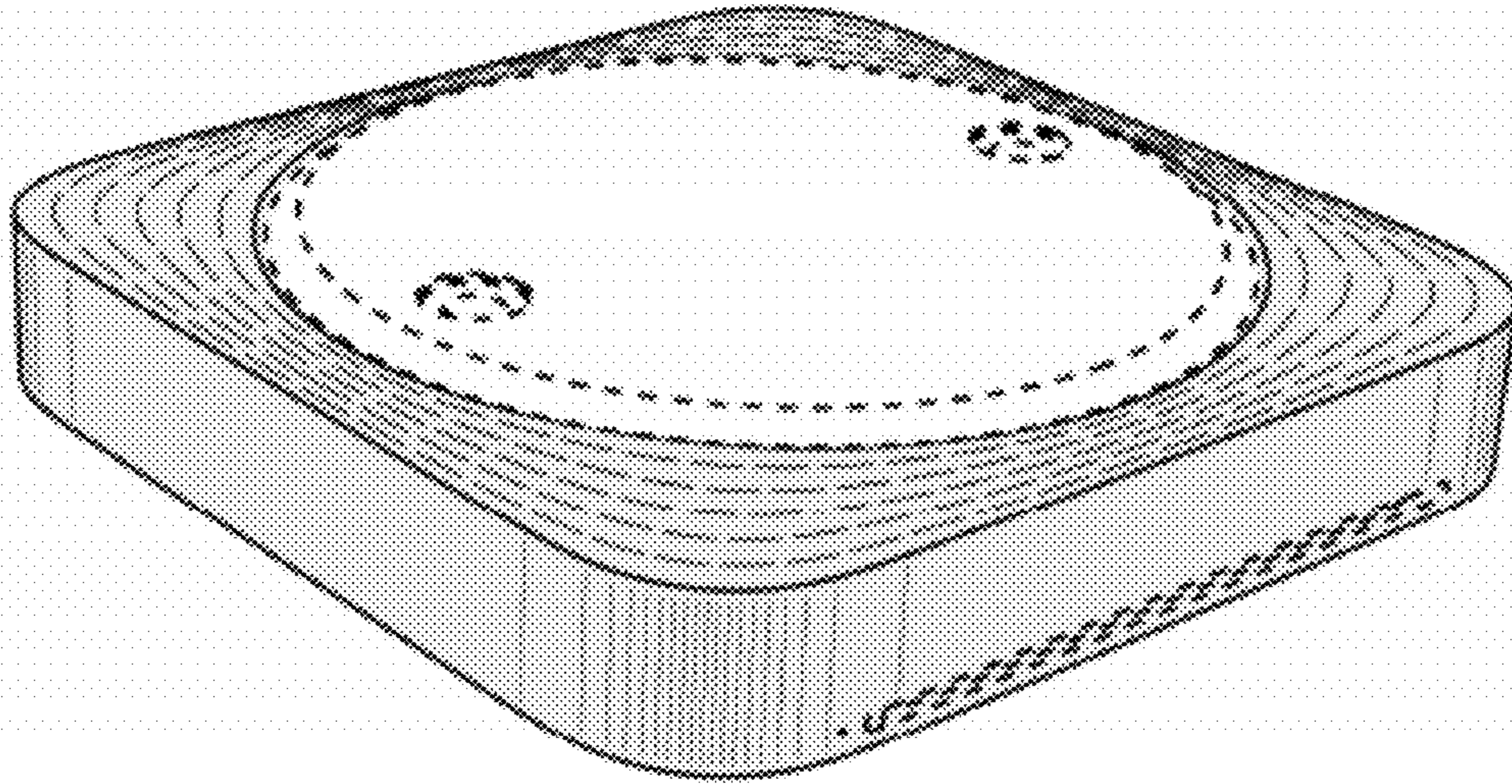


Fig. 13

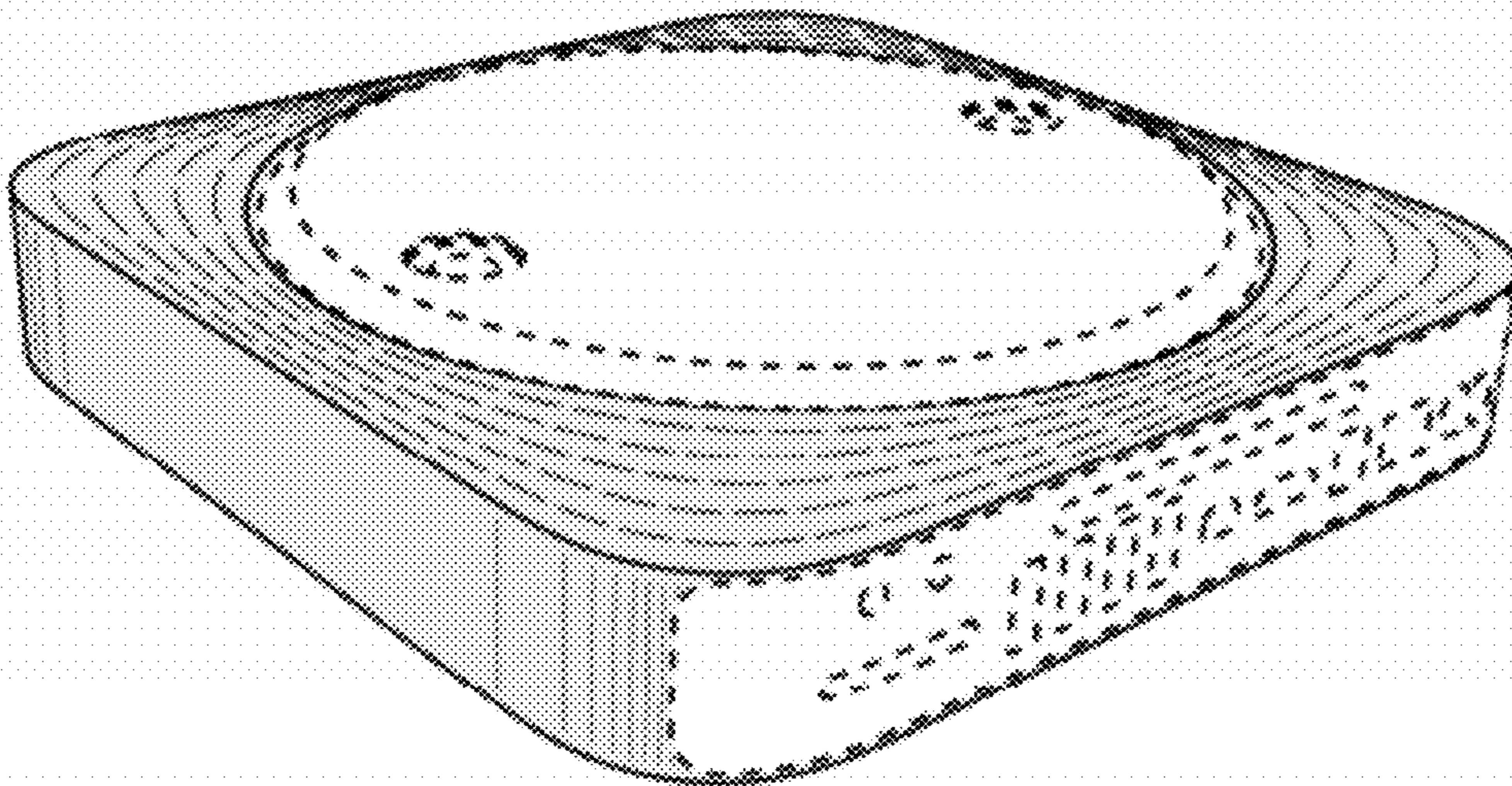


Fig. 14

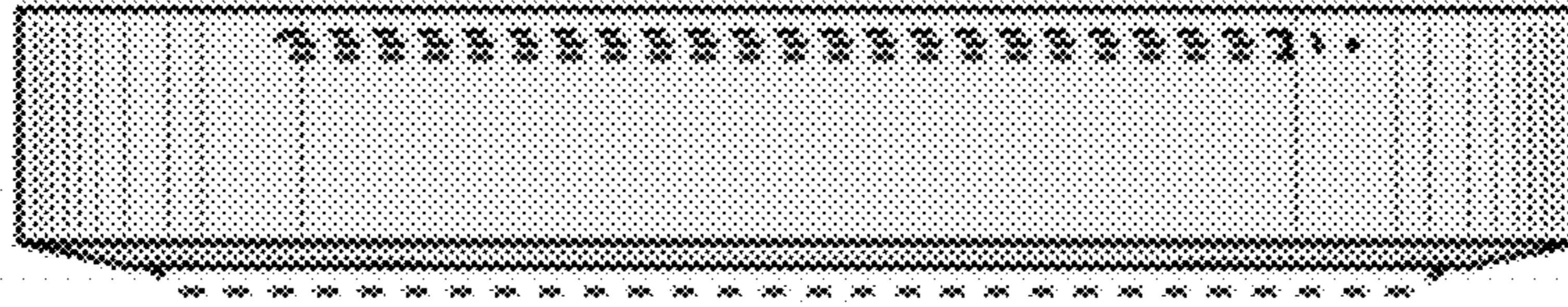


Fig. 15

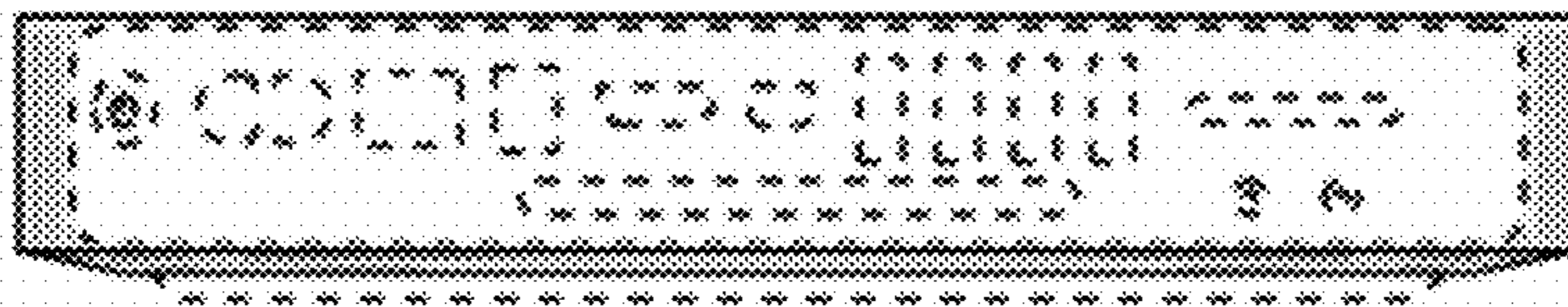


Fig. 16

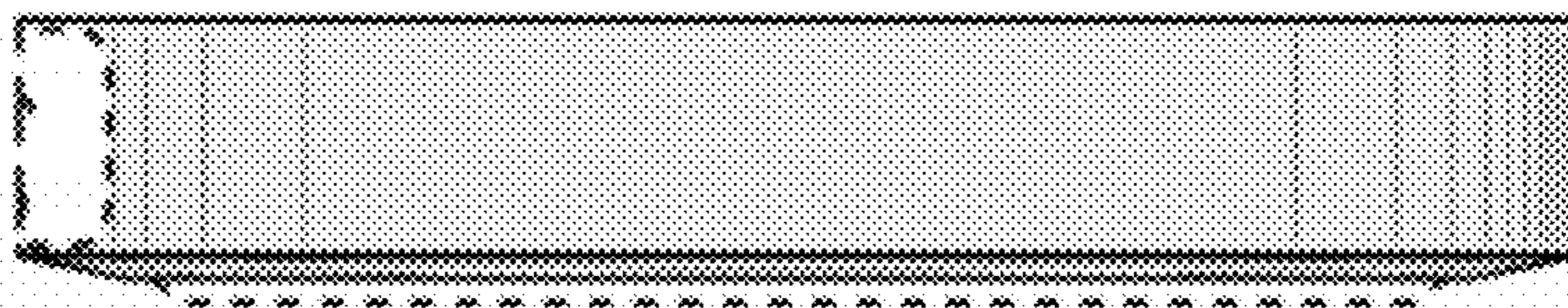


Fig. 17

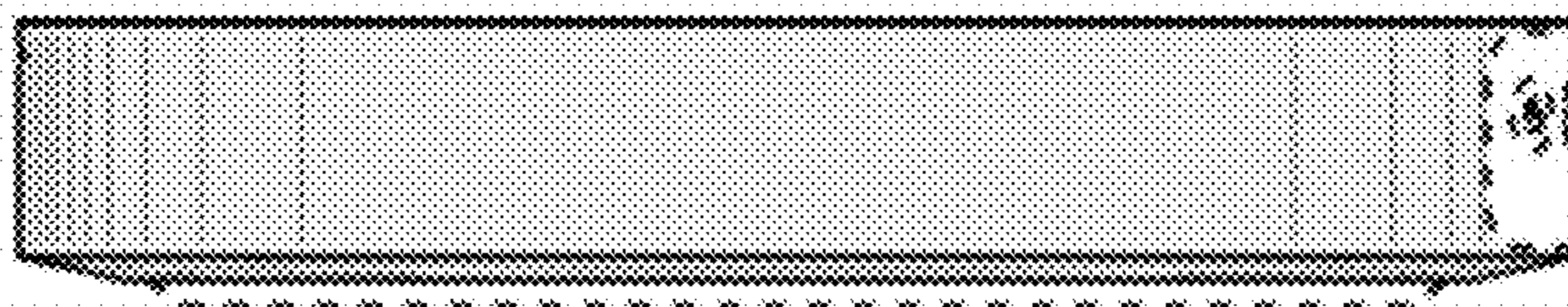


Fig. 18

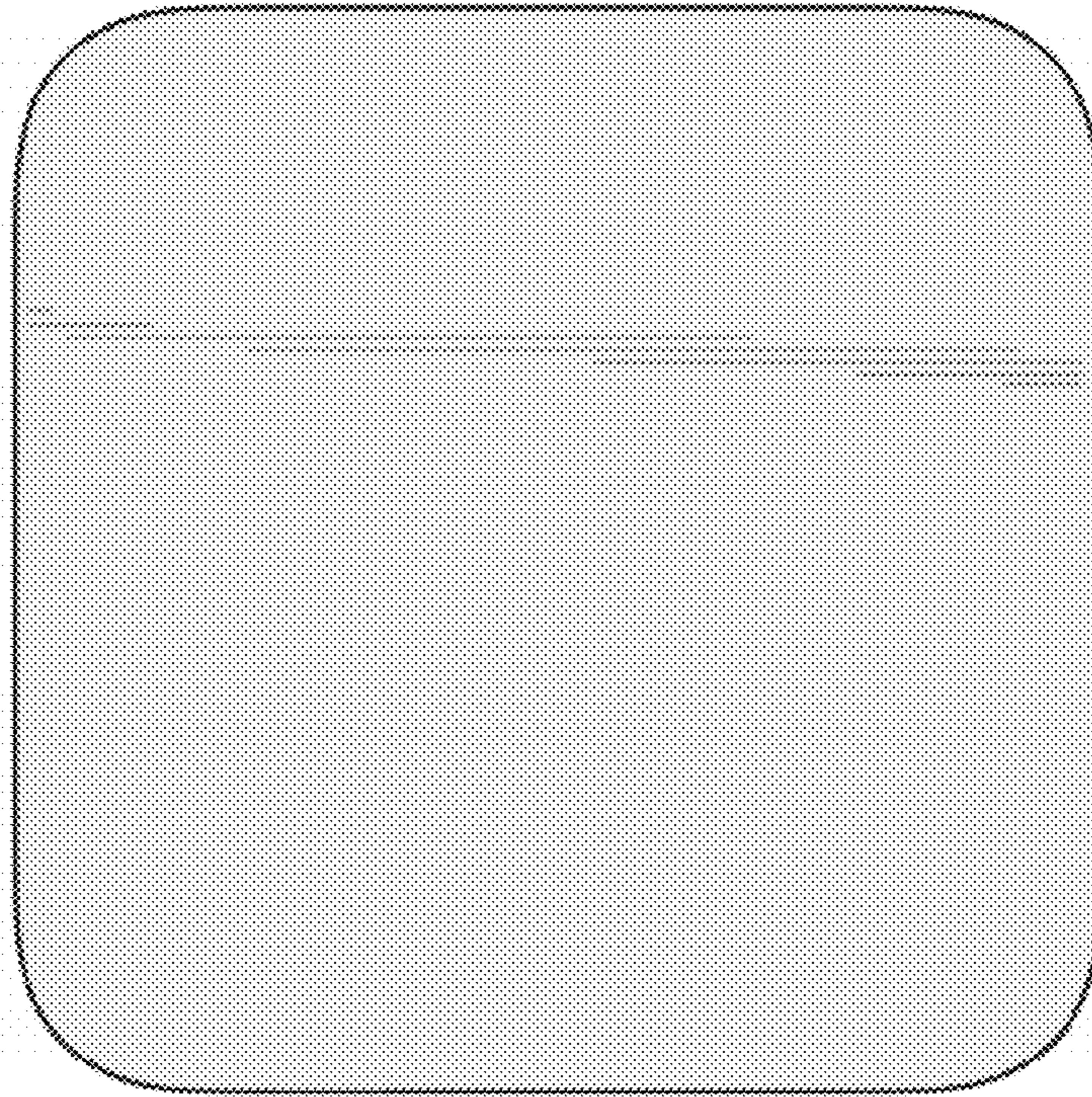


Fig. 19

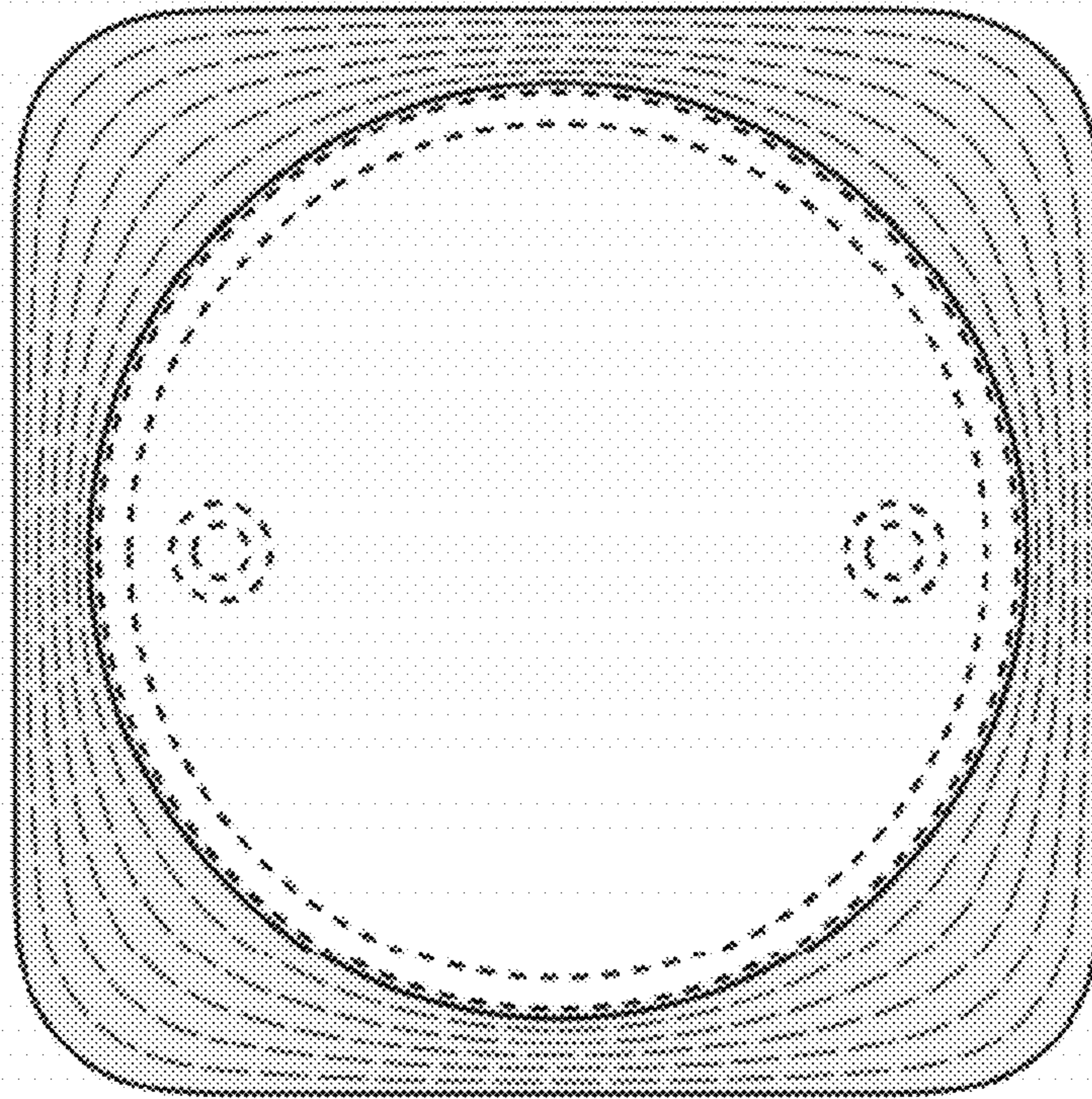


Fig. 20