



US00D657783S

(12) **United States Design Patent**  
**Mo**

(10) **Patent No.:** **US D657,783 S**

(45) **Date of Patent:** **\*\* Apr. 17, 2012**

(54) **MOUNTING DEVICE**

(75) Inventor: **Kawing Mo**, Temple City, CA (US)

(73) Assignee: **Arkon Resources, Inc.**, Arcadia, CA (US)

(\*\*) Term: **14 Years**

(21) Appl. No.: **29/349,910**

(22) Filed: **May 17, 2010**

(51) **LOC (9) Cl.** ..... **14-03**

(52) **U.S. Cl.** ..... **D14/251**

(58) **Field of Classification Search** ..... D14/140,  
D14/217, 224, 224.1, 229, 240, 243, 250-253,  
D14/299, 344, 434, 447, 451-452, 483, 496;  
D13/108; 361/679.41; 439/534; 320/115,  
320/116, 107; D8/355, 363; D12/415, 418;  
379/449, 455, 165; 248/122.1, 127, 157,  
248/205.8, 206.2, 279.1, 205.5, 309.1, 309.3,  
248/352; D3/201, 218, 269, 273, 301; D11/79;  
63/26

See application file for complete search history.

(56) **References Cited**

U.S. PATENT DOCUMENTS

6,913,232 B2 \* 7/2005 Richter ..... 248/205.8  
D545,825 S \* 7/2007 Richter ..... D14/447

2004/0256529 A1 \* 12/2004 Richter ..... 248/309.1  
2006/0086872 A1 \* 4/2006 Fan ..... 248/205.8  
2008/0023602 A1 \* 1/2008 Bury ..... 248/205.8  
2008/0230662 A1 \* 9/2008 Takahashi et al. .... 248/206.2  
2009/0050758 A1 \* 2/2009 Carnevali ..... 248/205.8  
2009/0108151 A1 \* 4/2009 Carnevali ..... 248/205.3  
2010/0252700 A1 \* 10/2010 Wang ..... 248/206.2

\* cited by examiner

*Primary Examiner* — Raphael Barkai

*Assistant Examiner* — Randall Gholson

(74) *Attorney, Agent, or Firm* — James E. Brunton

(57) **CLAIM**

The ornamental design for a “mounting device”, as shown.

**DESCRIPTION**

FIG. 1 is a perspective view of a “mounting device” showing my new design;

FIG. 2 is a front view thereof;

FIG. 3 is a rear view thereof;

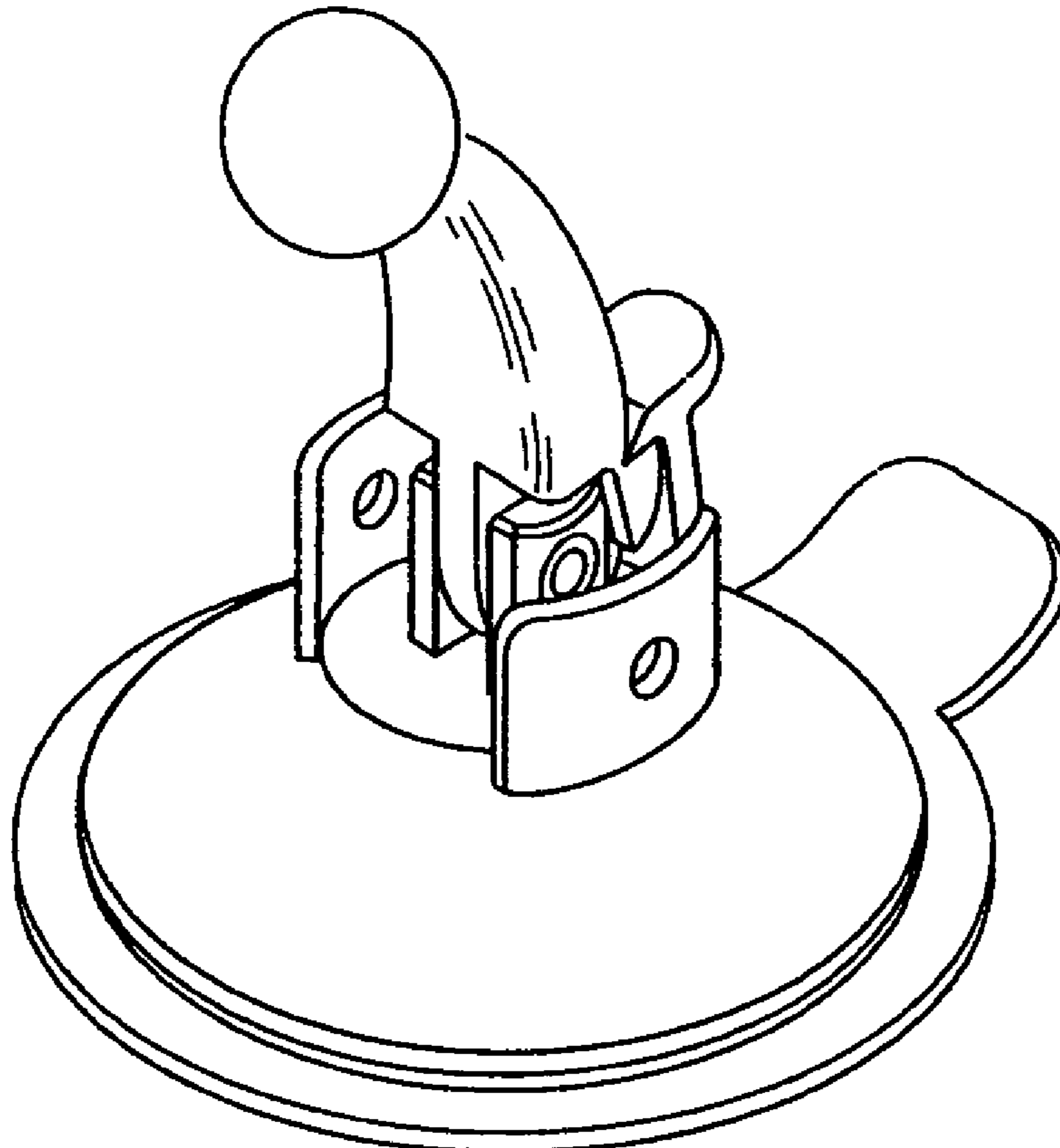
FIG. 4 is a side view thereof, the opposite side being identical thereto;

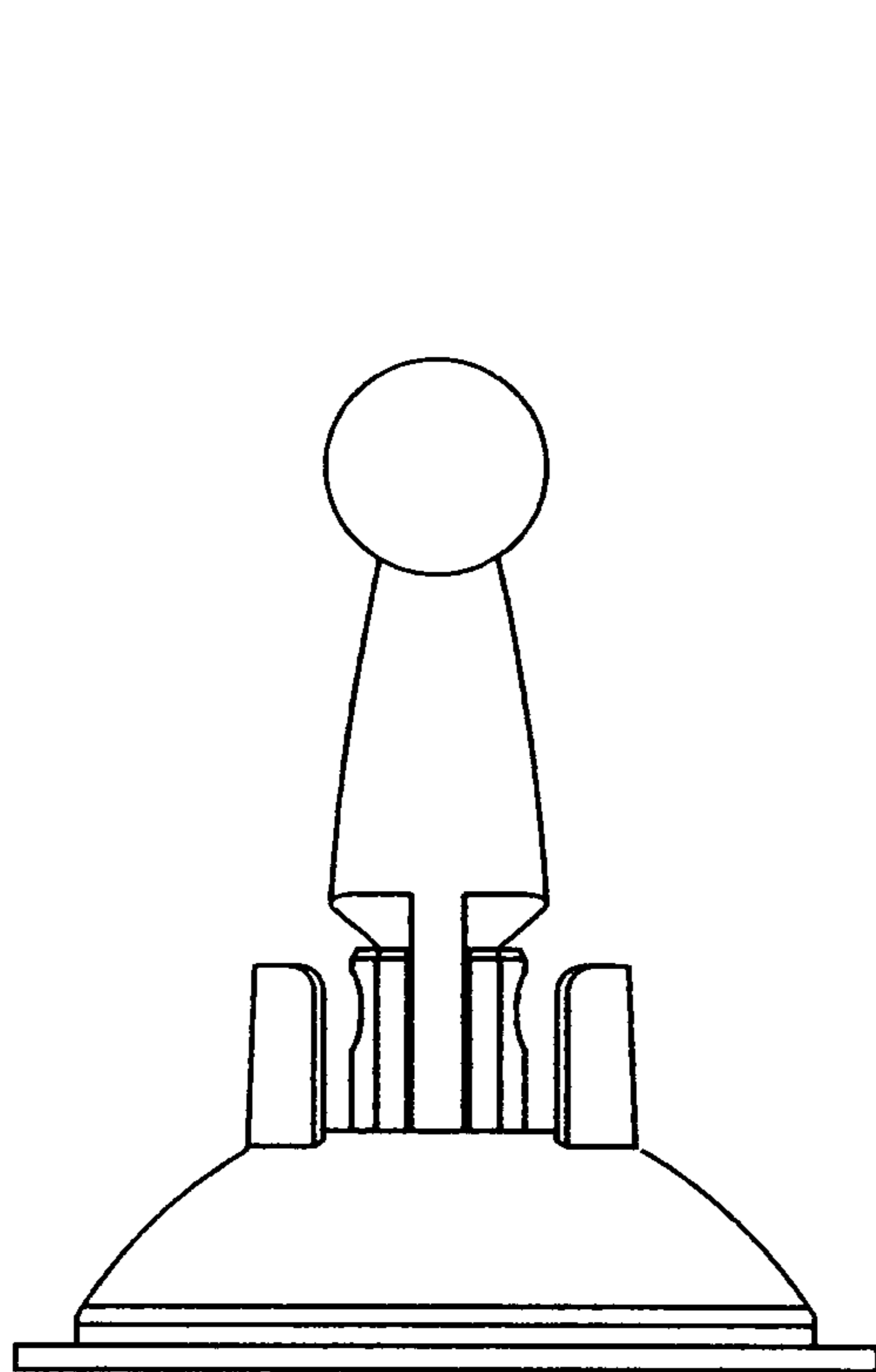
FIG. 5 is a top plan view thereof;

FIG. 6 is a bottom plan view thereof; and,

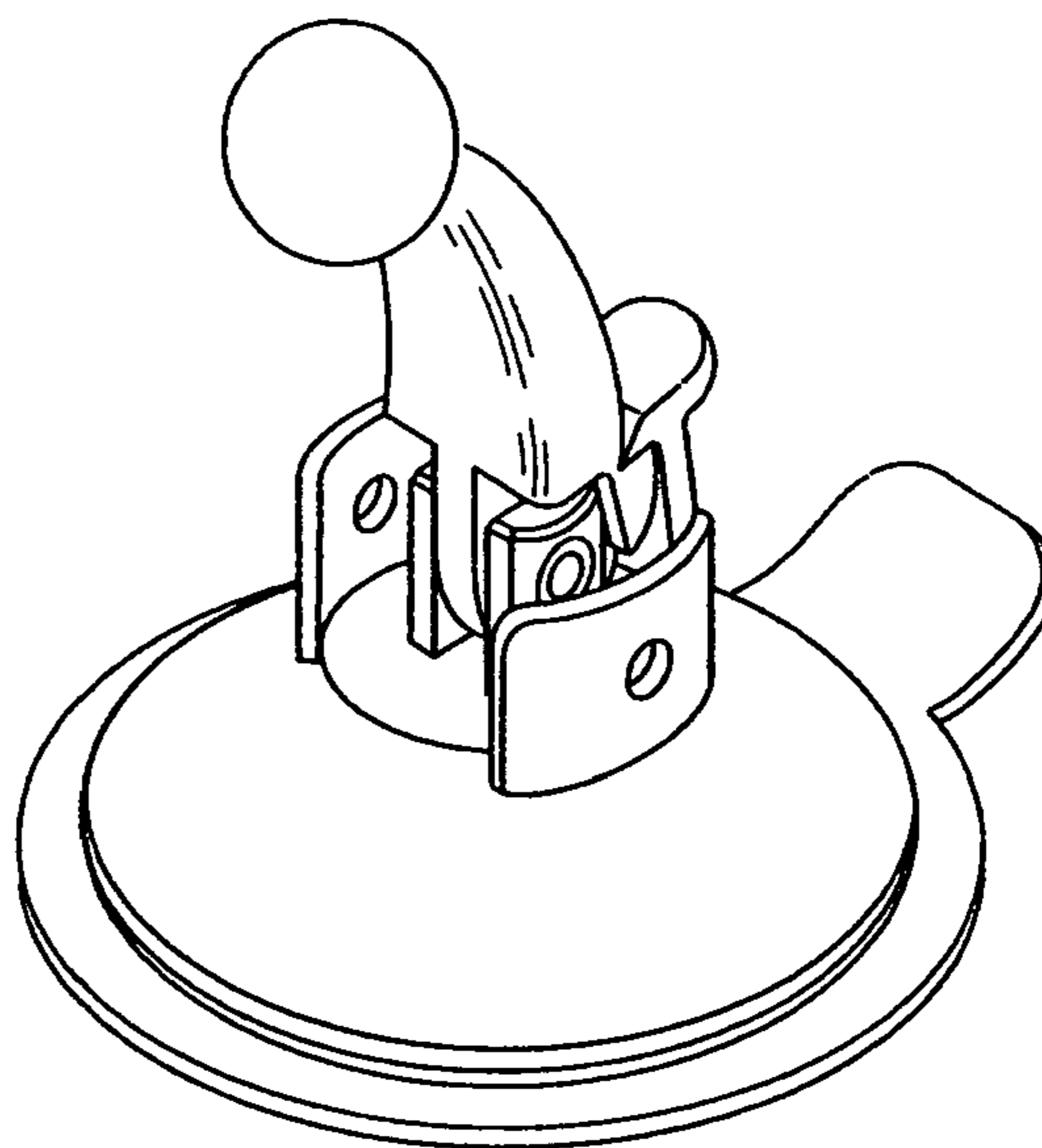
FIG. 7 is a perspective view showing the “mounting device” in a folded configuration.

**1 Claim, 2 Drawing Sheets**

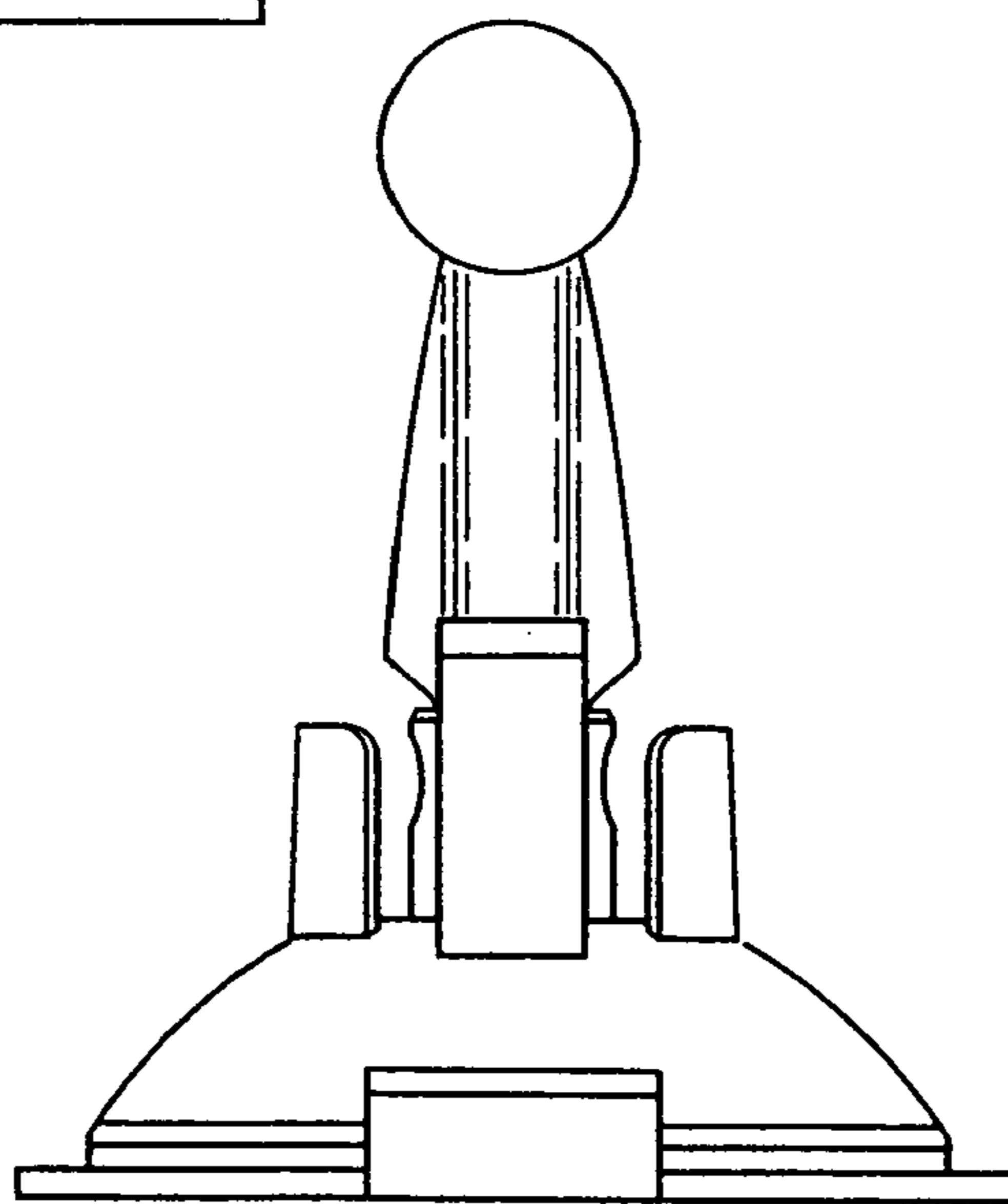




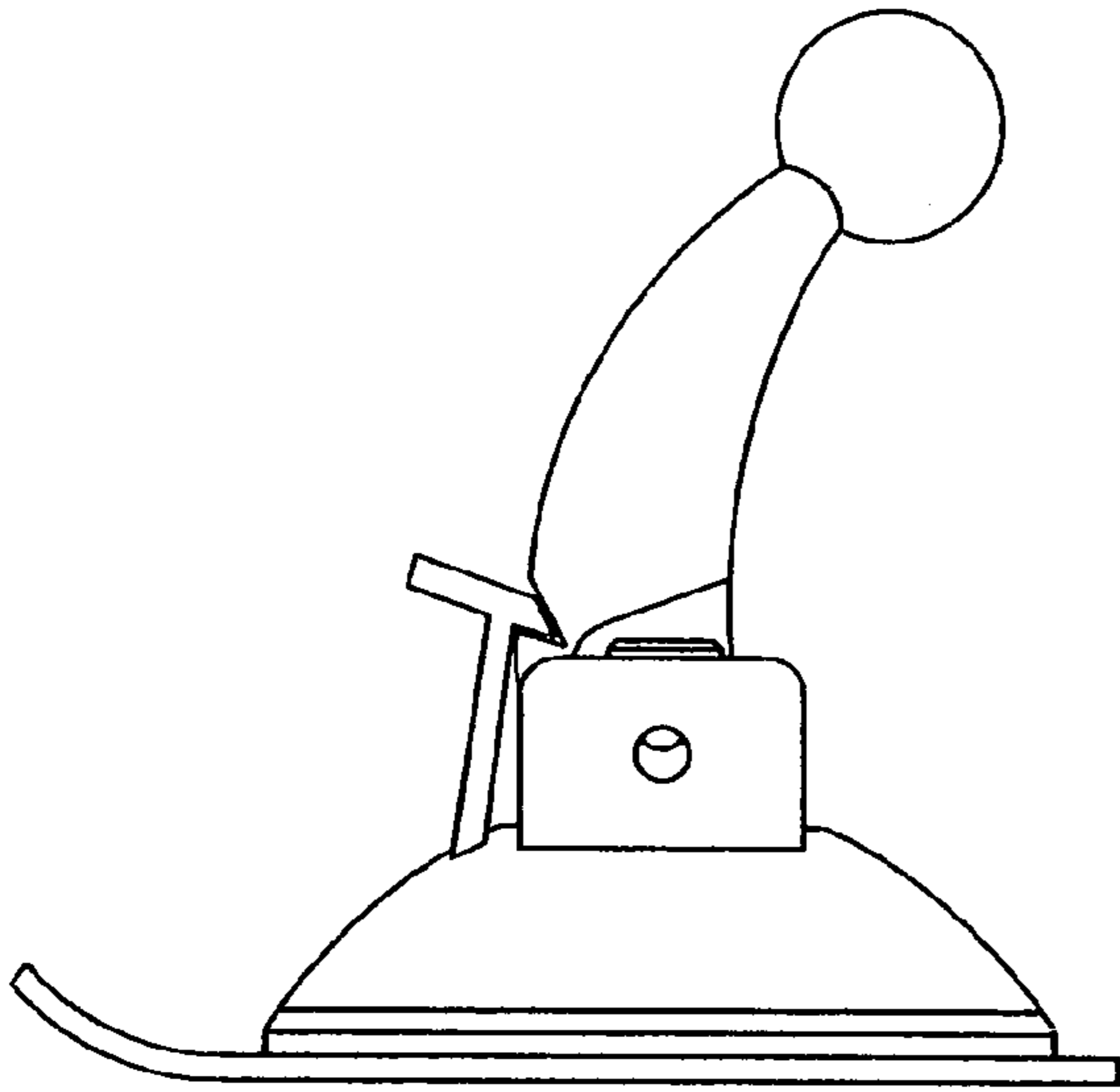
**Fig. 2**



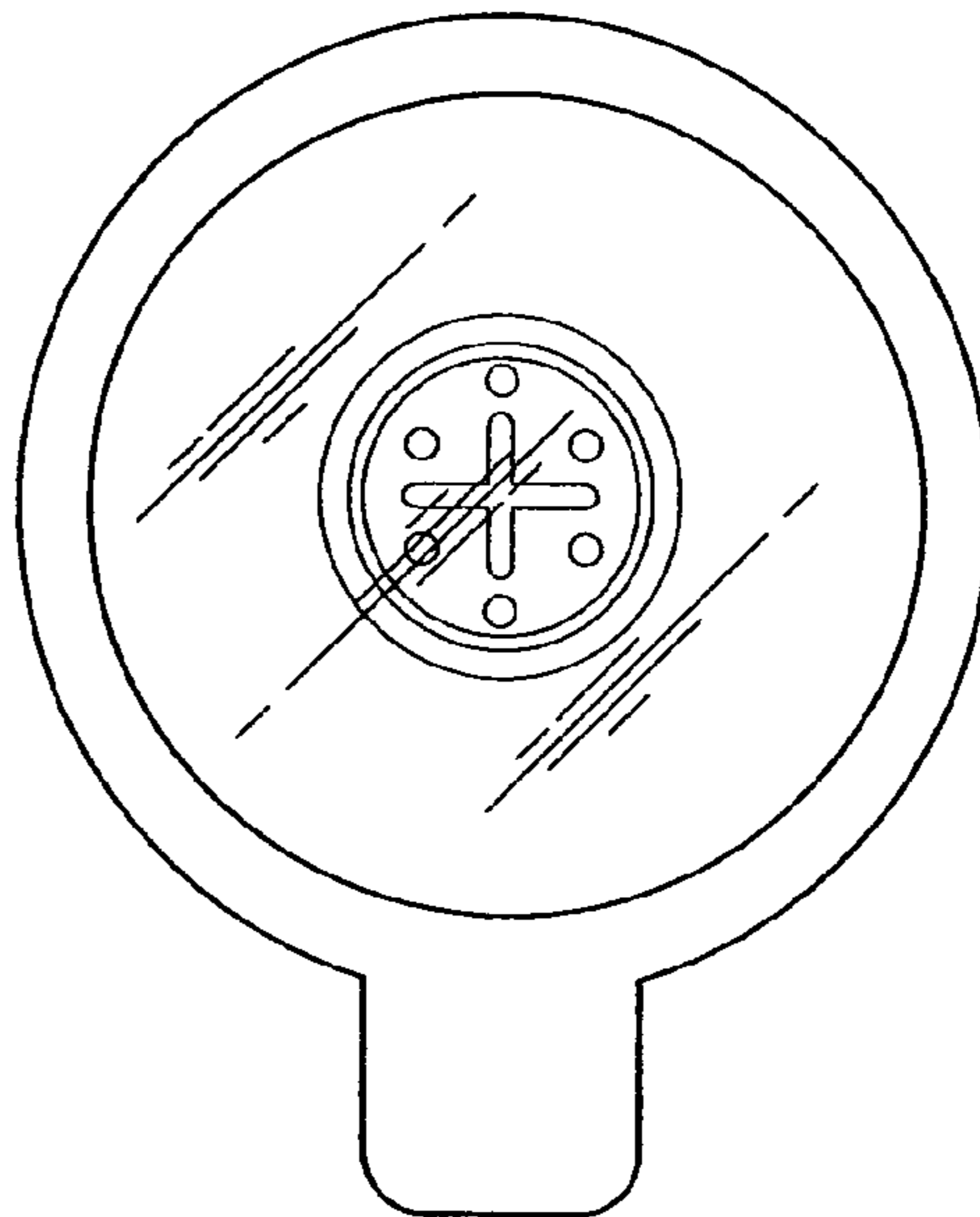
**Fig. 1**



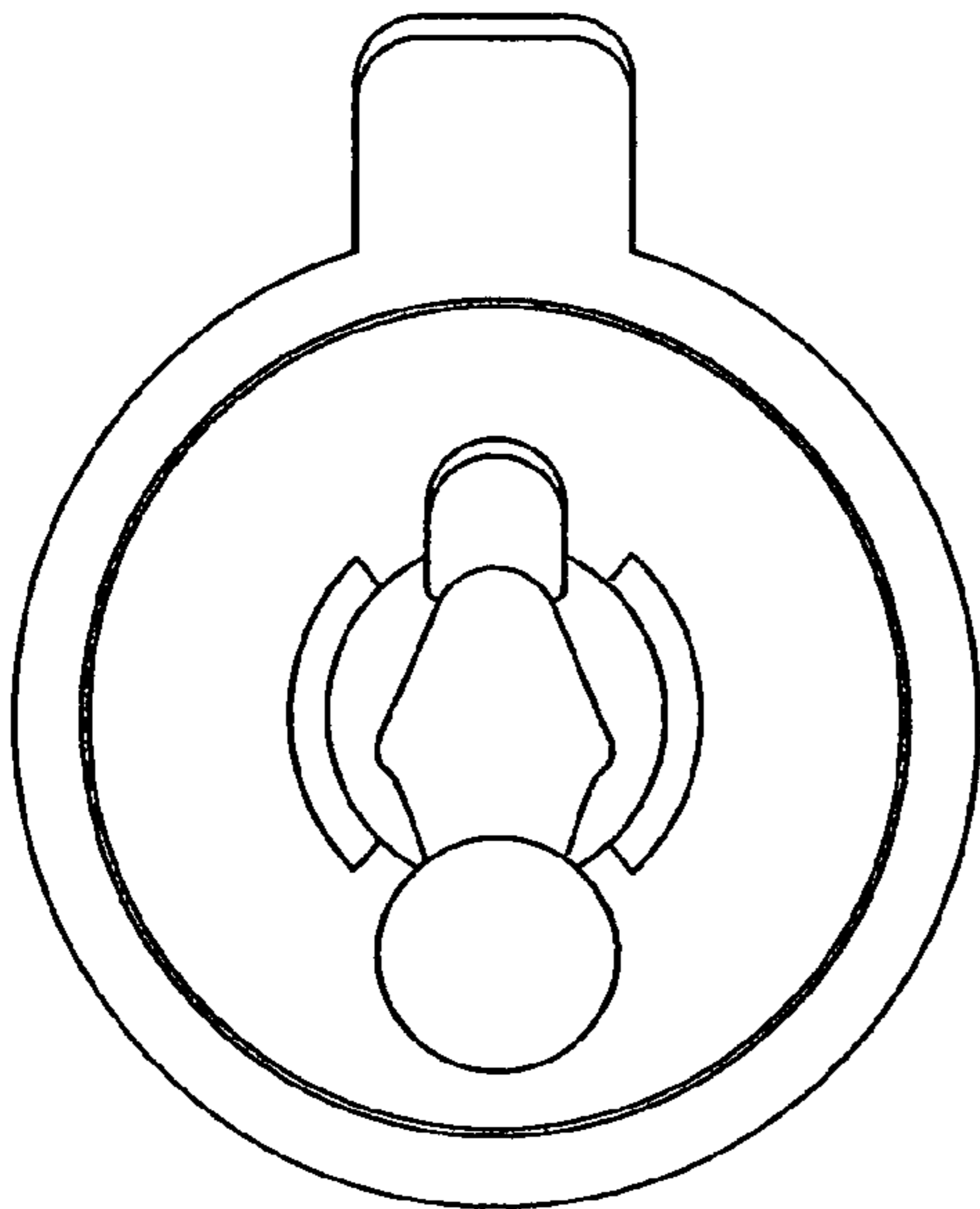
**Fig. 3**



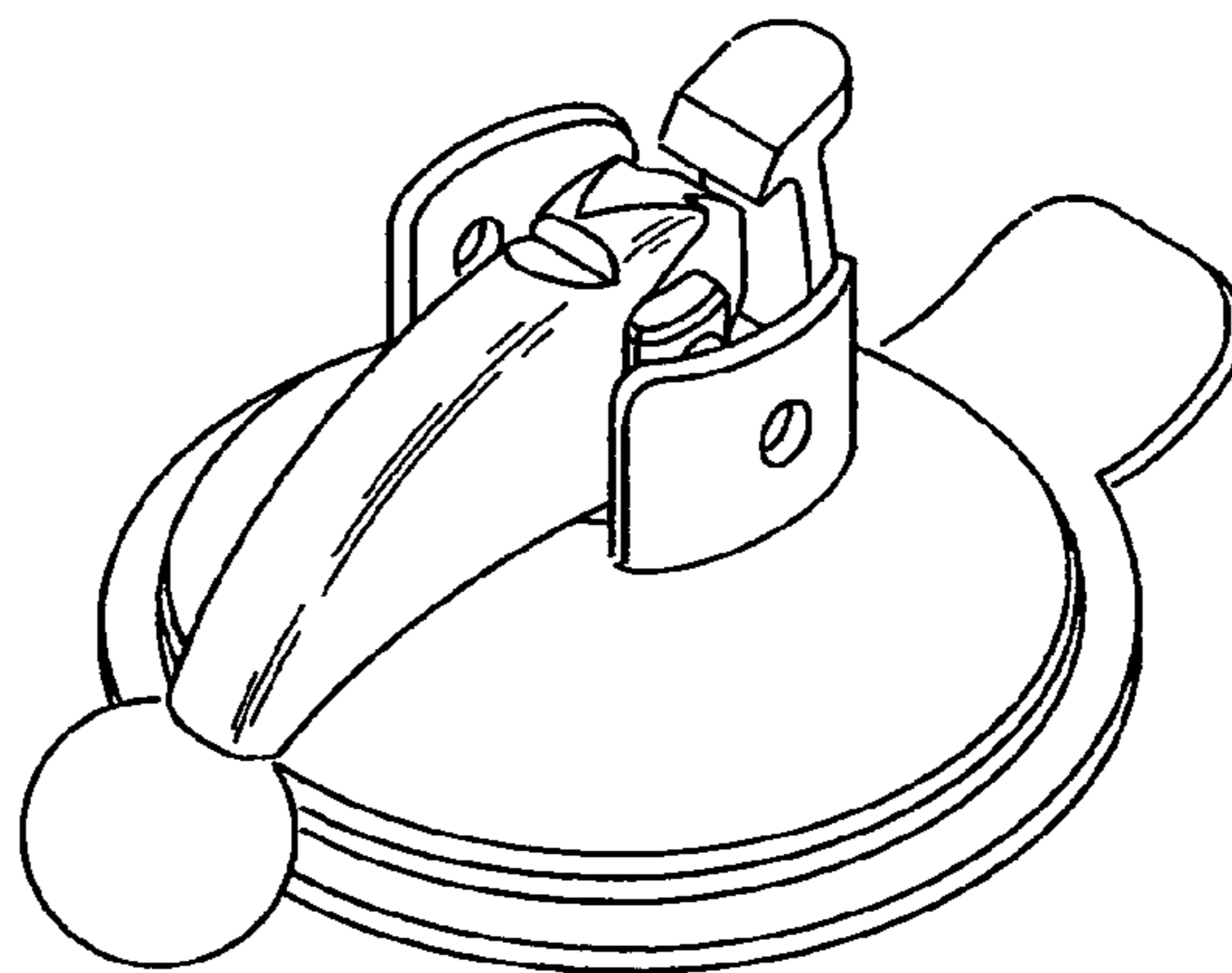
**Fig. 4**



**Fig. 6**



**Fig. 5**



**Fig. 7**