



US00D657782S

(12) **United States Design Patent**
Biller

(10) **Patent No.:** **US D657,782 S**

(45) **Date of Patent:** **** Apr. 17, 2012**

(54) **HANDHELD DEVICE COVER**

(76) Inventor: **Peter Biller**, Titz-Jackerath (DE)

(**) Term: **14 Years**

(21) Appl. No.: **29/349,617**

(22) Filed: **Apr. 17, 2010**

(30) **Foreign Application Priority Data**

Feb. 1, 2010 (EM) 001663915-0001

Feb. 1, 2010 (EM) 001663915-0003

Feb. 1, 2010 (EM) 001663915-0004

(51) **LOC (9) Cl.** **14-03**

(52) **U.S. Cl.** **D14/250**

(58) **Field of Classification Search** D14/250,
D14/252, 253, 248, 249, 440, 203.7, 217,
D14/203.3, 203.4; D3/201, 218, 269; 220/4.02;
224/191, 241, 245; 379/426, 433.01; 455/575.1,
455/575.8

See application file for complete search history.

(56) **References Cited**

U.S. PATENT DOCUMENTS

D613,729 S * 4/2010 Sip et al. D14/248

D619,130 S * 7/2010 Fellig D14/250

D620,931 S * 8/2010 Opman D14/250

D623,638 S * 9/2010 Richardson et al. D14/250

D625,303 S * 10/2010 Kim D14/250

D637,592 S * 5/2011 Magness et al. D14/250

D638,005 S * 5/2011 Richardson et al. D14/250

D638,828 S * 5/2011 Melanson et al. D14/250

D638,829 S * 5/2011 Melanson et al. D14/250

* cited by examiner

Primary Examiner — Sheryl Lane

(74) *Attorney, Agent, or Firm* — Von Rohrscheidt Pate

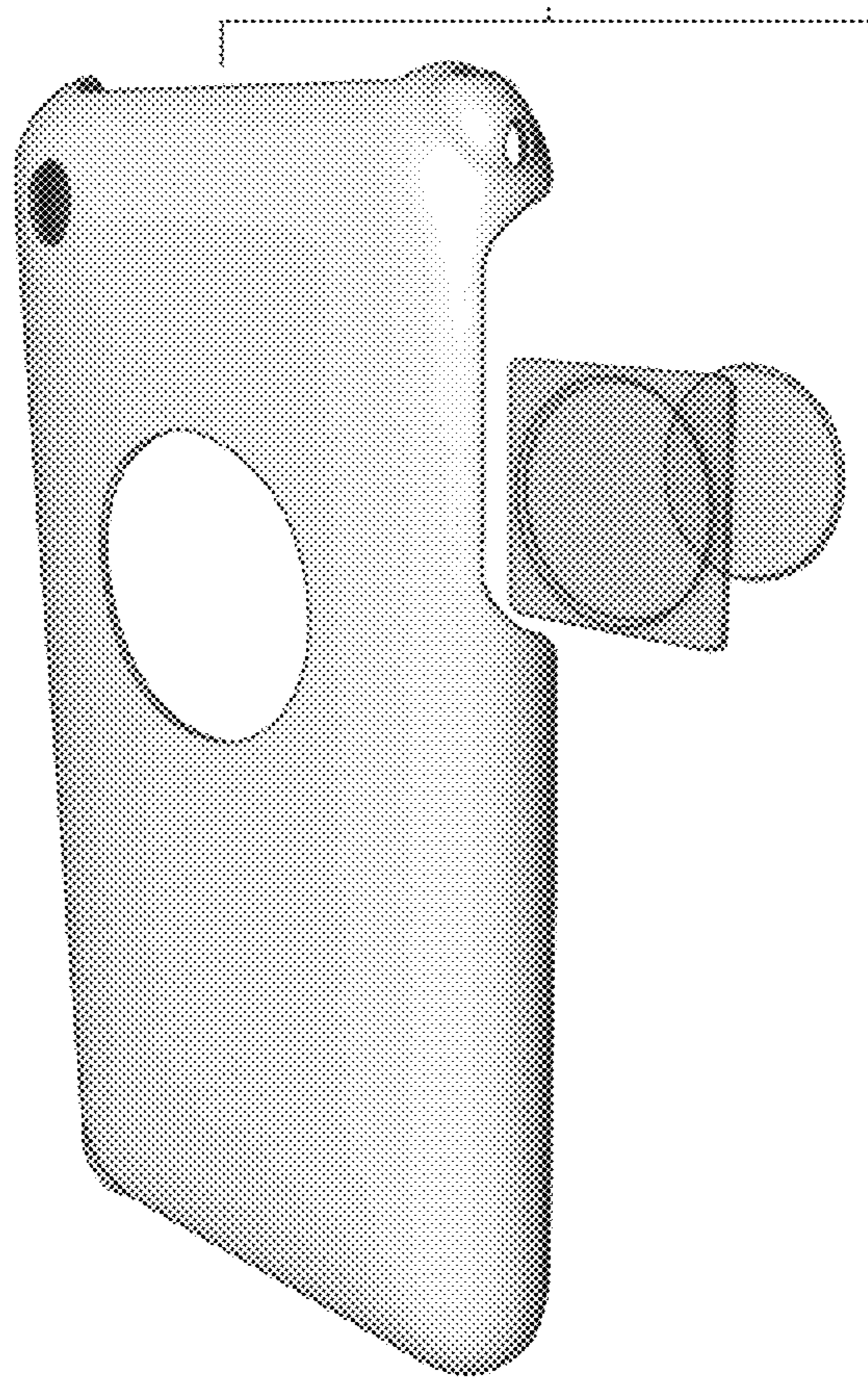
(57) **CLAIM**

The ornamental design for a handheld device cover, as shown and described.

DESCRIPTION

FIG. 1 is a front view of an embodiment of the handheld device cover showing the new design with the insert inserted. FIG. 2 is a side view of the handheld device cover of FIG. 1 with the insert removed and illustrated separately. FIG. 3 is a pivoted rear view of the handheld device cover of FIG. 1 with the insert removed and illustrated separately; and, FIG. 4 is a pivoted view of the handheld device cover of FIG. 1 with the insert removed and illustrated separately.

1 Claim, 4 Drawing Sheets



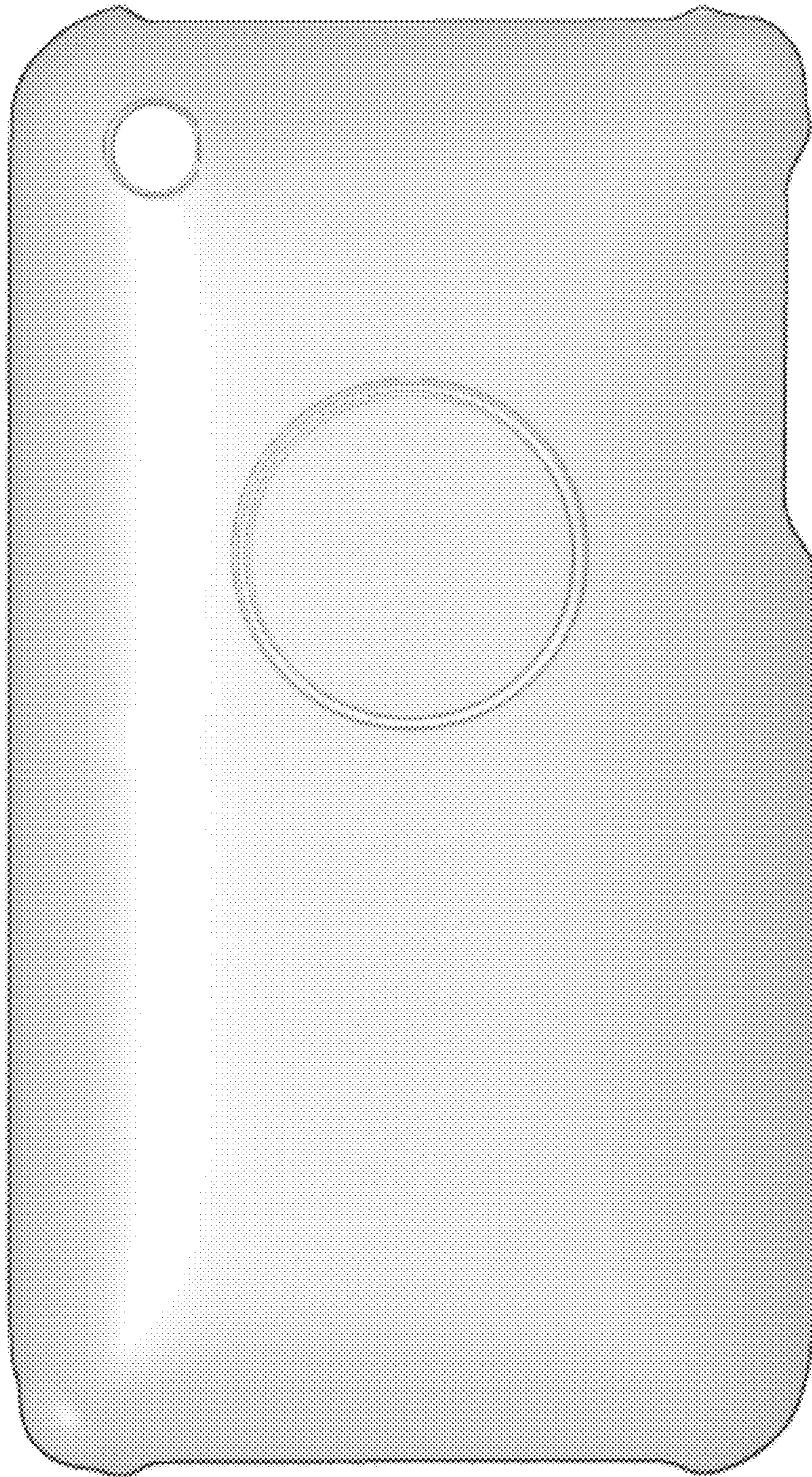


FIG. 1

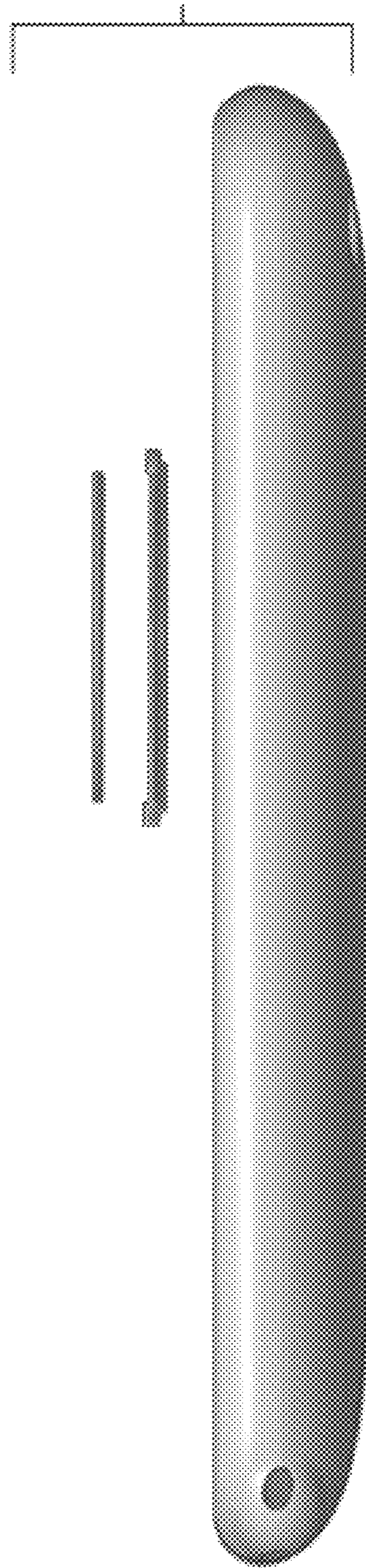


Fig. 2

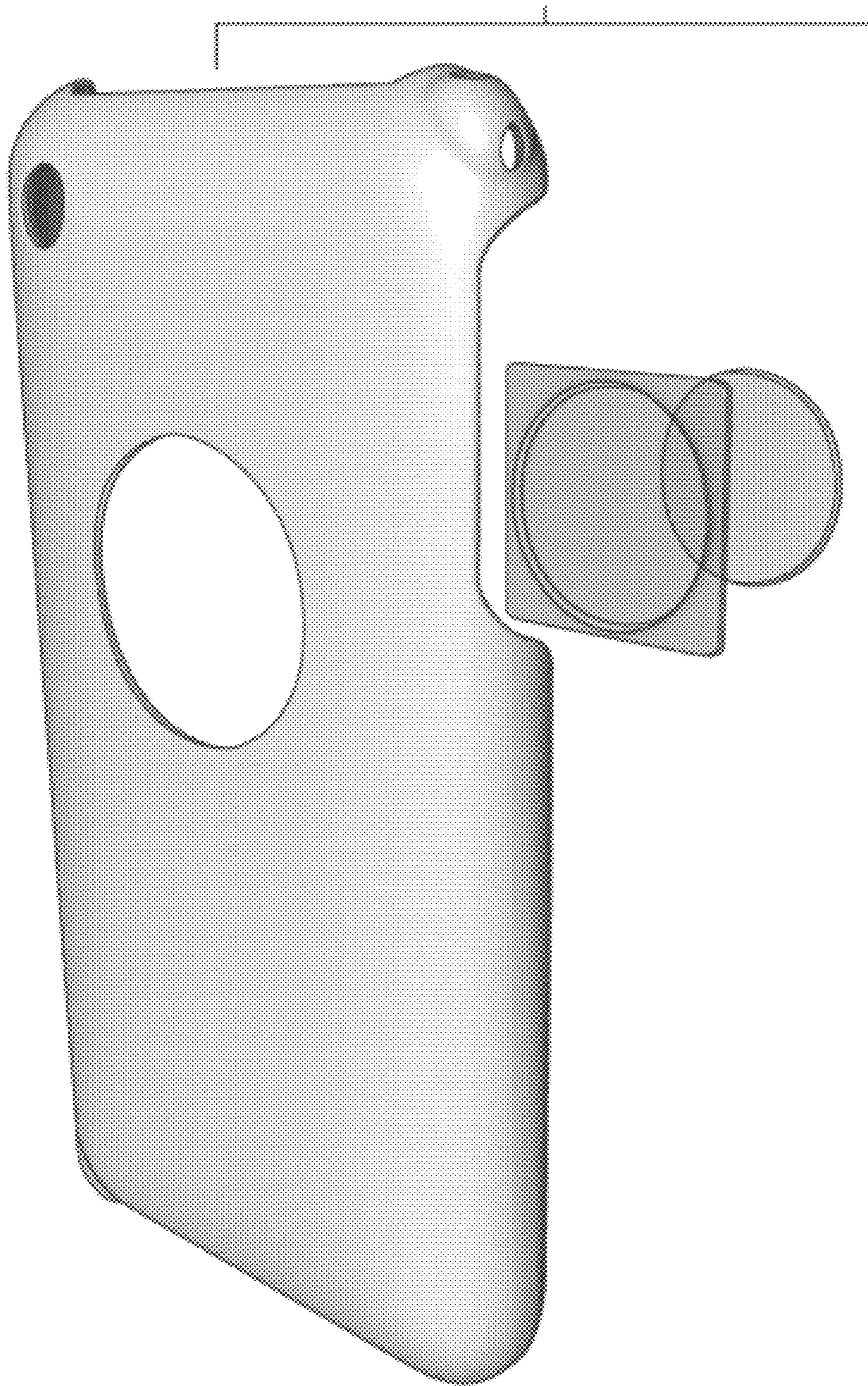


Fig. 3

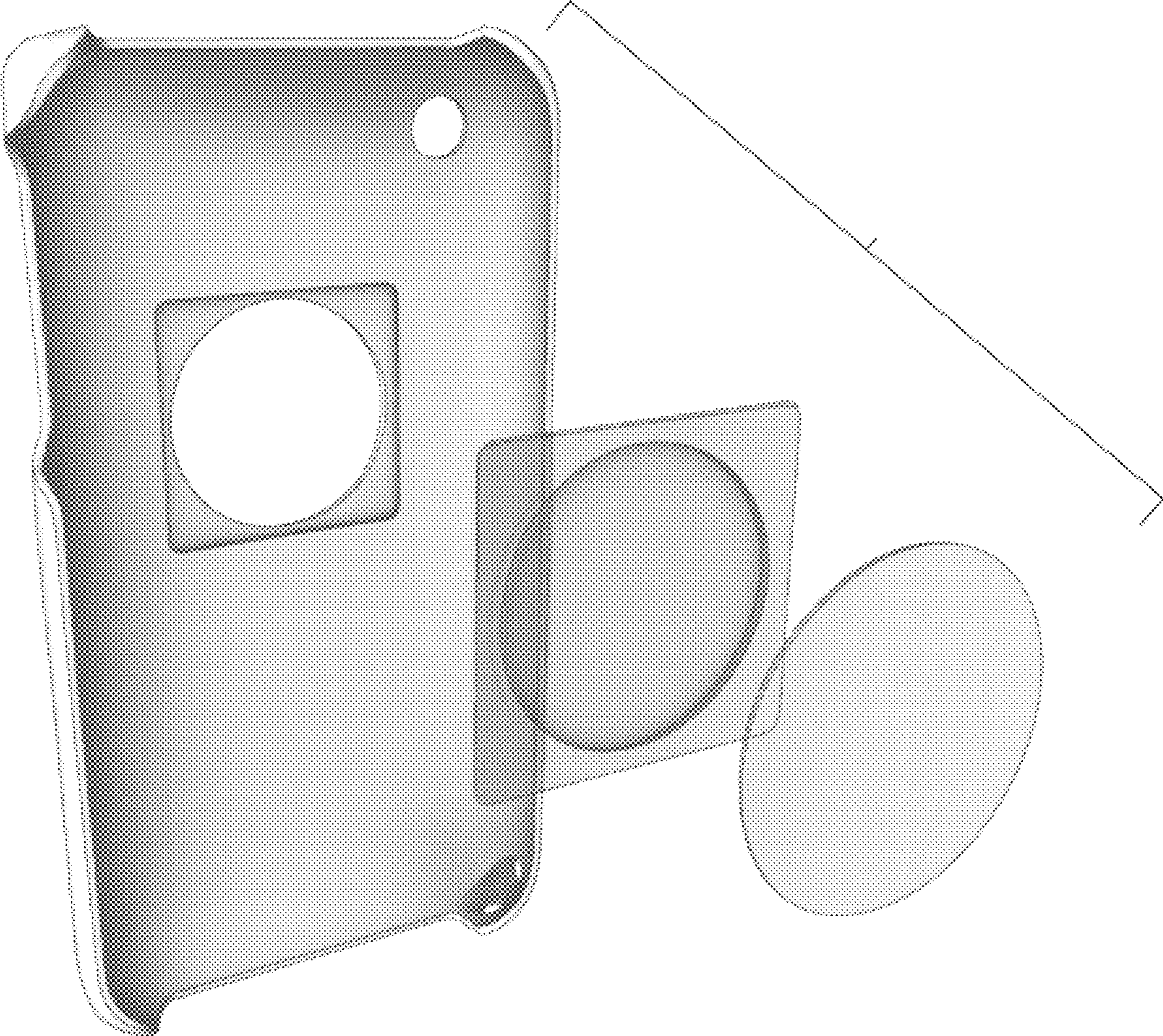


Fig. 4